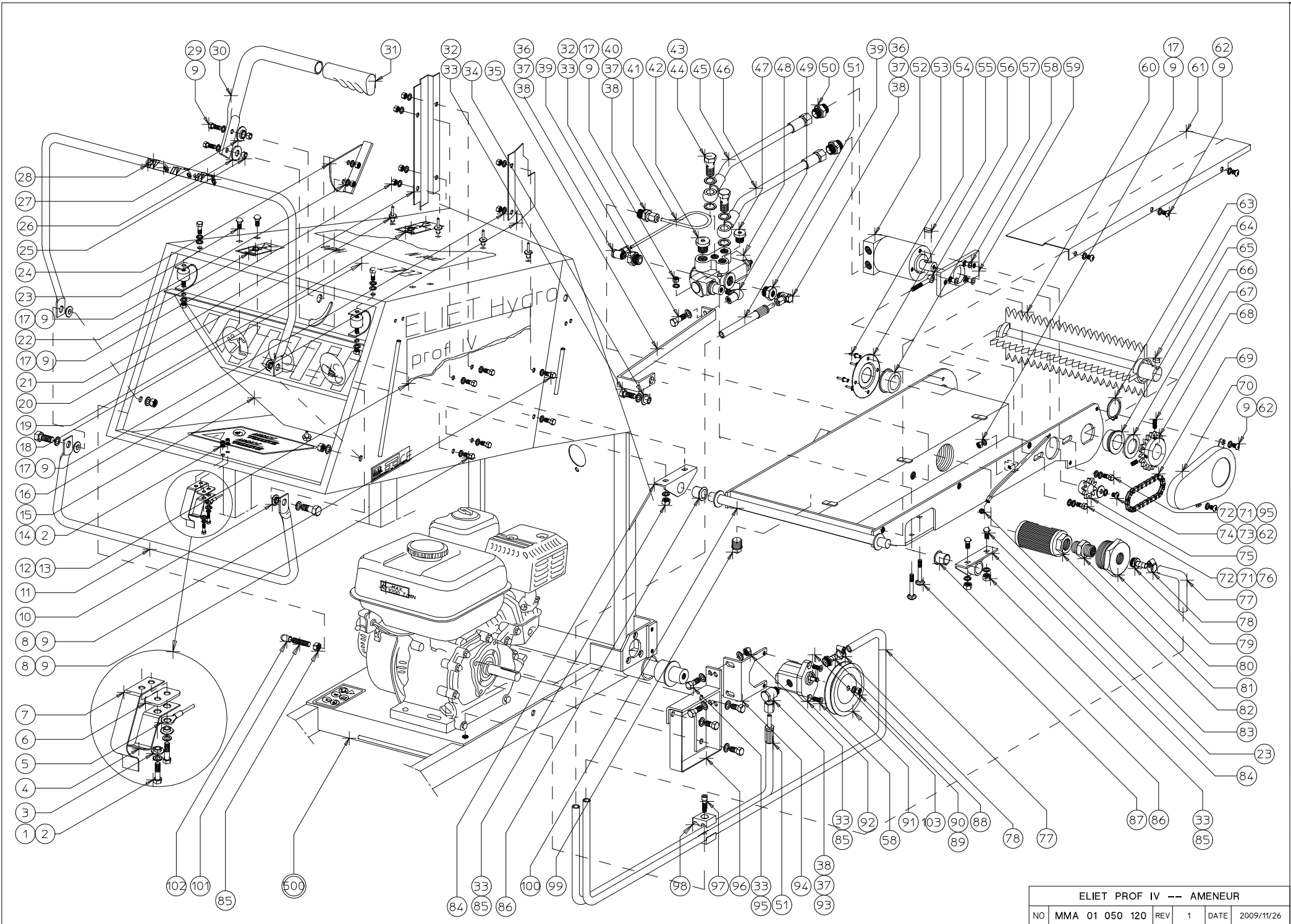


ELIET PROF IV -- GENERAL					
NO	MMA 01 050 100	REV	1	DATE	2009/11/27

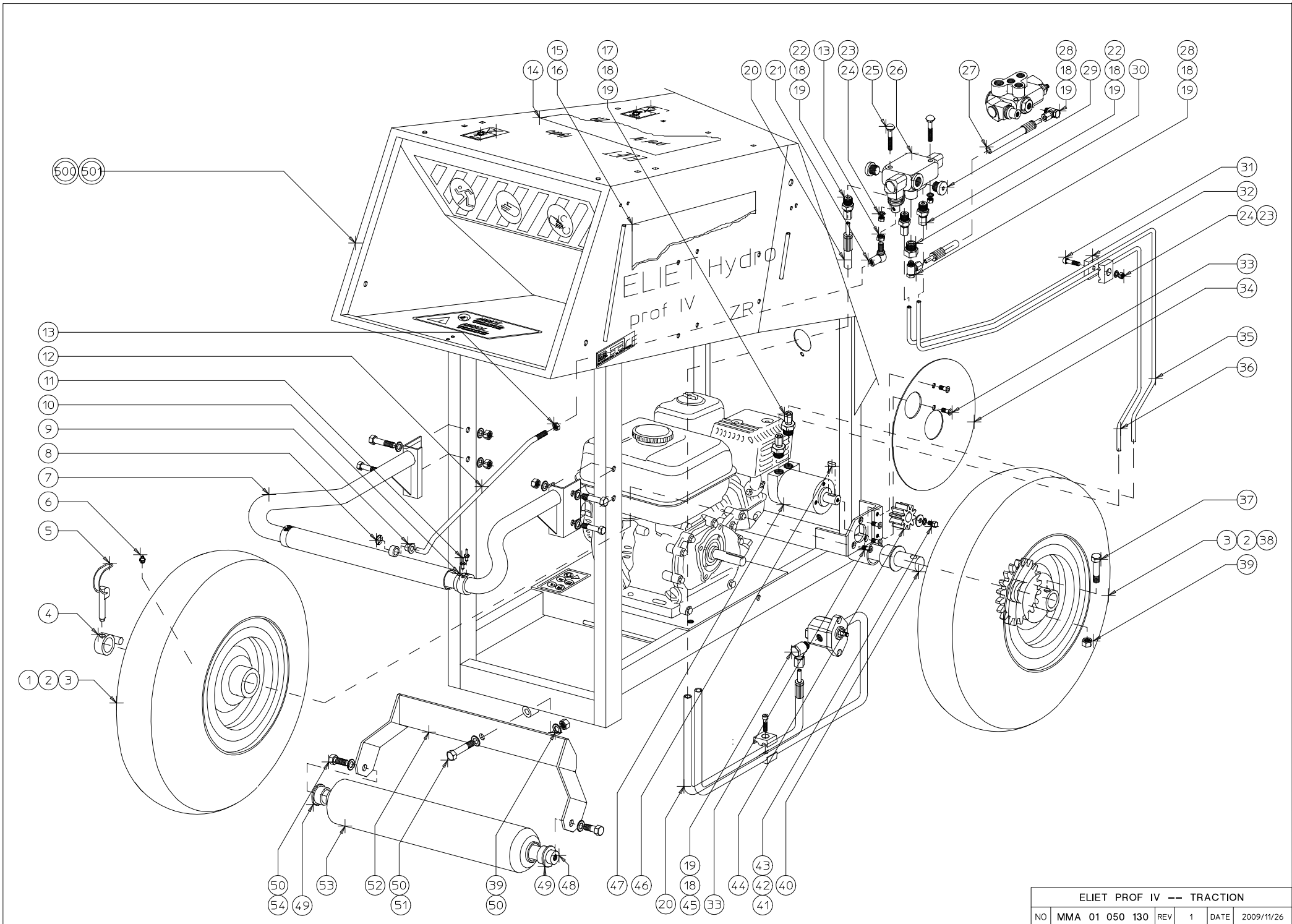
#	Order nr	article description	quantity
120	MMA 01 050 120	hydro kit infeedroller	1
130	MMA 01 050 130	wheeltransmission	1



ELIET PROF IV -- AMENEUR						
NO	MMA 01 050 120	REV	1	DATE	2009/11/26	

#	Order nr	article description	quantity
1	BS 512 000 416	bolt m4x16 din 933	2
2	BS 531 000 400	washer m4 din 125	4
3	BR 112 060 300	nylon bushing with collar (4.2/5.9/10x3/1.3)	2
4	BV 901 000 020	front safety switch (handle) part 1	1
5	BE 090 230 701	red wire 1.5 ce 70	1
6	BR 737 010 010	isolating plate pvc 36x23x2	1
7	BV 901 000 060	safety switch (earth)	1
8	BS 512 000 616	bolt m6x16 din 933	6
9	BS 531 000 600	washer m6 din 125	23
10	BR 112 080 300	nylon bushing with collar (8.2/10.9/18x3.5/1.5)	2
11	MPA 01 050 350	safety handle	1
12	BQ 501 050 040	sticker eliet pro iv hydro (r)	1
13	BQ 501 050 030	sticker eliet pro iv hydro (l)	1
14	BS 502 000 400	self locking nut m4 din 985	2
15	MPA 01 050 340	anti projection shield	1
16	MPA 01 050 330	cover in feed roller	1
17	BS 502 000 600	self locking nut m6 din 985	8
18	BQ 501 050 060	sticker eliet prof iv hydro (u)	1
19	BQ 501 050 070	sticker lift handle down	1
20	BB 221 106 160	pop plug alu 6x16 din 7337 a	4
21	MPA 01 050 320	cover hydraulic piping	1
22	BQ 501 050 080	sticker lift handle up	1
23	BS 554 100 816	bolt m8x16 din 603	4
24	MPA 01 050 300	hinge for lift handle	1
25	MPA 01 050 310	bushing	2
26	BR 111 100 200	nylon bushing (10.5/21x2.5)	1
27	BR 112 100 600	nylon bushing with collar (10/13.5/25x6/2.5)	1
28	BQ 501 060 070	sticker in feed roller control	1
29	BS 512 000 620	bolt m6x20 din 933	2
30	MPA 01 050 290	lift handle in feed roller	1
31	BN 230 100 400	rubber grip	1
32	BS 512 000 820	bolt m8x20 din 933	2
33	BS 531 000 800	washer m8 din 125	10
34	BR 112 081 300	nylon bushing with collar (8/11/16x13/2)	1
35	MPA 01 050 280	rod for switch valve control	1
36	BH 513 110 602	banjo 6lx1/8"	2
39	BH 514 100 602	reduction stud (m-f) 3/8"-1/8"	2
40	BH 509 210 604	male stud coupling 6lx1/4"	1
41	MPA 01 050 250	hydraulic pipe	1
42	BH 518 500 600	blanking plug 3/8"	1
43	BH 542 200 400	banjo bolt bb 1/4"	2
44	BH 809 004 200	seal 1/4"bsp	4
45	BH 551 040 390	flexible hydraulic hose 1/4"x400 proviv	1
46	BH 551 040 350	flexible hydraulic hose 1/4"x360 proviv	1
47	BH 518 500 400	blanking plug 1/4"	1
48	BH 400 003 000	hydraulic switch valve bm 20/1 1/4"--rb gu a8--	1
49	BA 230 010 800	ball joint m8	2
50	BH 509 251 006	male stud coupling 10lx3/8" bo	2
51	BH 551 031 670	flexible hydraulic hose 3/16"x1730	1
52	BH 331 203 210	hydraulic engine epmm 32cc	1
53	BB 221 105 100	pop plug alu 4.8x10 din 7337 a	4
54	BB 341 050 516	key 5x5x16 din 6880	1

55	MPA 01 050 240	protection plate for nylon bearing	1
56	BS 551 100 646	eye bolt m6x70 din 444	1
57	BR 112 262 111	nylon bushing with collar (26/35.5/40x21/2)	1
58	BS 522 100 616	screw m6x16 din 7991	5
59	MPA 01 050 210	bracket for hydraulic engine	1
60	MPA 01 050 200	in feed roller	1
61	MPA 01 050 260	cover for hydraulic tank	1
62	BS 522 500 610	screw m6x10 iso 7380	6
63	BB 001 000 320	retaining ring 32 din 471	1
64	BB 341 080 715	key 8x7x15 din 6880	1
65	BR 112 262 112	nylon bushing with collar (26/35.5/40x21/2)	1
66	MPA 01 050 220	spacer ring	1
67	BS 023 000 810	set screw m8x10 din 916	2
68	BA 161 021 251	sprocket simplex 3/8"x7/32" 21t	1
69	BA 101 040 010	chain simplex 3/8"x7/32" 40l	1
70	MPA 01 050 230	chain protection	1
71	BS 534 000 800	lock washer m8 din 6798a	2
72	BS 532 008 254	washer m8x25x2	2
73	BS 534 000 600	lock washer m6 din 6798a	1
74	BS 531 200 600	washer m6 din 7349	1
75	BA 161 011 162	sprocket simplex 3/8"x7/32" 11t	1
76	BS 512 000 830	bolt m8x30 din 933	1
77	BR 200 207 250	hydraulic pipe 8x14x2500mm	1
78	BT 670 110 180	hose clamp 10x18mm	2
79	BT 136 260 609	hose insert 3/8"x9mm	1
80	BT 174 282 408	blanking plug with reduction 6/4"x1/2" (m-v)	1
81	BT 174 260 808	adaptor (m-m) 1/2" inw 3/8"	1
82	BH 280 108 000	hydraulic filter 1/2"	1
83	BY 100 106 100	grease fitting m6 din 71412	1
84	MPA 01 050 270	hinge hydraulic kit	2
85	BS 502 000 800	self locking nut m8 din 985	6
86	BR 112 152 100	nylon bushing with collar (15.4/18/23x21/1)	2
87	BS 554 100 641	bolt m6x45 din 603	2
88	BT 136 260 409	hose insert 1/4"x9mm	1
89	BS 501 000 600	nut m6 din 934	1
90	BS 533 000 600	lock washer m6 din 127b	1
91	BA 565 608 001	pulley spa 80 alu	1
92	BH 210 400 700	hydraulic pump tfp 50/0.72 sco01	1
93	BH 513 130 604	banjo 6sx1/4"	1
94	MPA 01 050 360	bracket for hydraulic pump	1
95	BS 512 000 825	bolt m8x25 din 933	3
96	MPA 01 050 370	support frame for hydraulic pump	1
97	BS 521 100 625	screw m6x25 din 912	1
98	BH 711 420 010	pipe clamp b-14mm ass.	1
99	BT 174 300 600	blanking plug for hydraulic tank 3/8"	1
100	MPA 01 050 190	oil tank	1
101	BS 581 000 805	stud m8x50 din 975	1
102	BR 020 608 150	plastic cap 8x15	1
103	BB 321 020 206	key 2x2.6x6.76 din 6888	0



#	Order nr	article description	quantity
1	BW 708 025 030	rim 3.00x8 + cam	2
2	BW 914 500 020	tire 5.00-8	2
3	BW 914 500 030	tube 5.00-8	2
4	MPA 01 050 470	cam for wheel traction	1
5	BB 040 410 050	locking pin 10x50	1
6	BY 100 106 100	grease fitting m6 din 71412	1
7	MPA 01 050 380	steering bracket	1
8	BB 011 000 080	starlock 8mm	1
9	BR 112 081 300	nylon bushing with collar (8/11/16x13/2)	1
10	BR 910 000 010	nylon bushing with collar (25/30/34x30/15)	2
11	BB 221 104 100	pop plug alu 3.9x10 din 7337 a	4
12	MPA 01 050 390	rod for hydraulic valve	1
13	BS 501 000 800	nut m8 din 934	2
14	BQ 501 050 090	sticker zr	3
15	BQ 501 050 040	sticker eliet pro iv hydro (r)	1
16	BQ 501 050 030	sticker eliet pro iv hydro (l)	1
17	BH 509 210 606	male stud coupling 6lx3/8"	2
20	BH 551 031 080	flexible hydraulic hose 3/16"x1140	1
21	BA 230 010 800	ball joint m8	1
22	BH 509 210 604	male stud coupling 6lx1/4"	3
23	BS 502 000 600	self locking nut m6 din 985	3
24	BS 531 000 600	washer m6 din 125	3
25	BS 554 100 641	bolt m6x45 din 603	2
26	BH 400 004 000	hydraulic valve bm 20/1 1/4"--rb a1	1
27	BH 551 030 600	flexible hydraulic hose 3/16"x660	1
28	BH 513 110 602	banjo 6lx1/8"	2
29	BH 518 500 600	blanking plug 3/8"	2
30	BH 514 100 602	reduction stud (m-f) 3/8"-1/8"	1
31	BS 511 000 635	bolt m6x35 din 931	1
32	BH 710 620 010	pipe clamp b-6mm ass.	1
33	BS 522 100 616	screw m6x16 din 7991	5
34	MPA 01 050 450	guard for wheel transmission	1
35	MPA 01 050 430	hydraulic pipe hydro-engine (in)	1
36	MPA 01 050 440	hydraulic pipe hydro-engine (out)	1
37	BS 511 001 042	bolt m10x50 din 931	1
38	BW 708 025 040	rim 3.00x8 + sprocket	1
39	BS 502 001 000	self locking nut m10 din 985	2
40	MPA 01 050 460	wheel shaft zr	1
41	BS 512 000 616	bolt m6x16 din 933	1
42	BS 534 000 600	lock washer m6 din 6798a	1
43	BS 531 200 600	washer m6 din 7349	1
44	BA 603 001 201	gear m3 12t	1
45	BH 513 130 604	banjo 6sx1/4"	1
46	BB 341 050 516	key 5x5x16 din 6880	1
47	BH 331 203 210	hydraulic engine epmm 32cc	1
48	MPA 01 050 420	axle front roller	1
49	BR 112 201 910	nylon bushing with collar (20.5/30/35x19/2.5)	2
50	BS 531 001 000	washer m10 din 125	4
51	BS 511 001 043	bolt m10x55 din931	1
52	MPA 01 050 400	fork for roller	1
53	MPA 01 050 410	roller	1
54	BS 512 001 020	bolt m10x20 din 933	2

