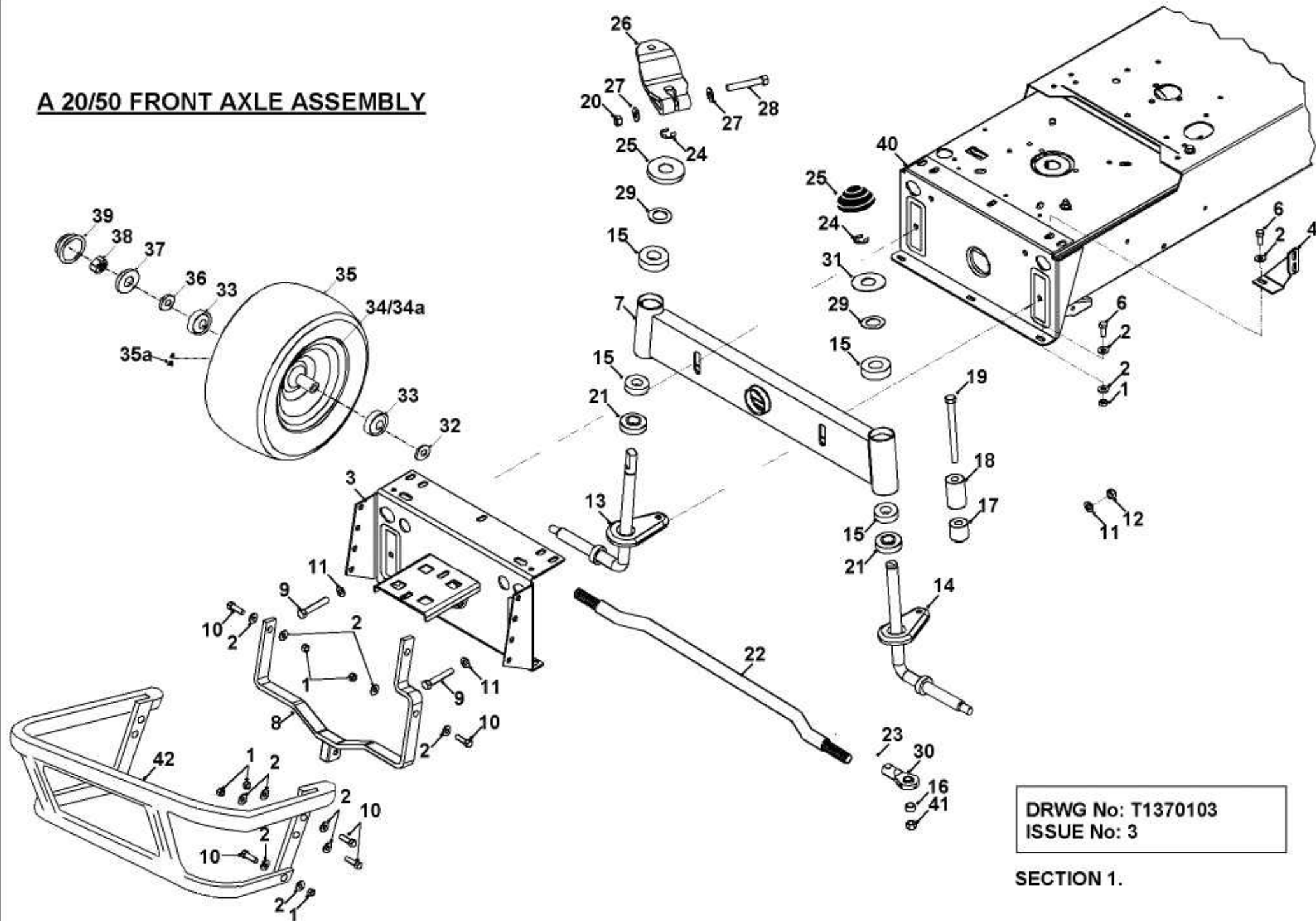


A20/50 TRACTOR PARTS LIST INDEX

- 1. FRONT AXLE ASSEMBLY**
 - 2. TWIN EXHAUST ASSEMBLY**
 - 3. TWIN CYLINDER ENGINE ASSEMBLY**
 - 4. BONNET ASSEMBLY**
 - 5. CONSOL ASSEMBLY**
 - 6. SEAT ASSEMBLY**
 - 7. FRONT ACTUATOR ASSEMBLY**
 - 8. P.T.O. TRANSMISSION ASSEMBLY**
 - 8A. P.T.O. TRANSMISSION ASSEMBLY -
HAND CLUTCH / BRAKE CONTROL**
 - 9. TUFF TORQ HYDROSTATIC ASSEMBLY**
 - 9A. TUFF TORQ HYDROSTATIC ASSEMBLY -
HAND CLUTCH / BRAKE CONTROL**
 - 10. ELECTRICAL PARTS**
 - 11. REAR DISCHARGE DECK**
 - 12. MULCHER DECK**
 - 13. RUNNING BOARD &
REAR BODY ASSEMBLY**
 - 13A. RUNNING BOARD &
REAR BODY ASSEMBLY -
HAND CLUTCH / BRAKE CONTROL**
 - 14. POWERED GRASS COLLECTOR**
 - 15. POWERED GRASS COLLECTOR NET**
- ACCESSORIES: 42" HIGH GRASS MULCHER**

A 20/50 FRONT AXLE ASSEMBLY



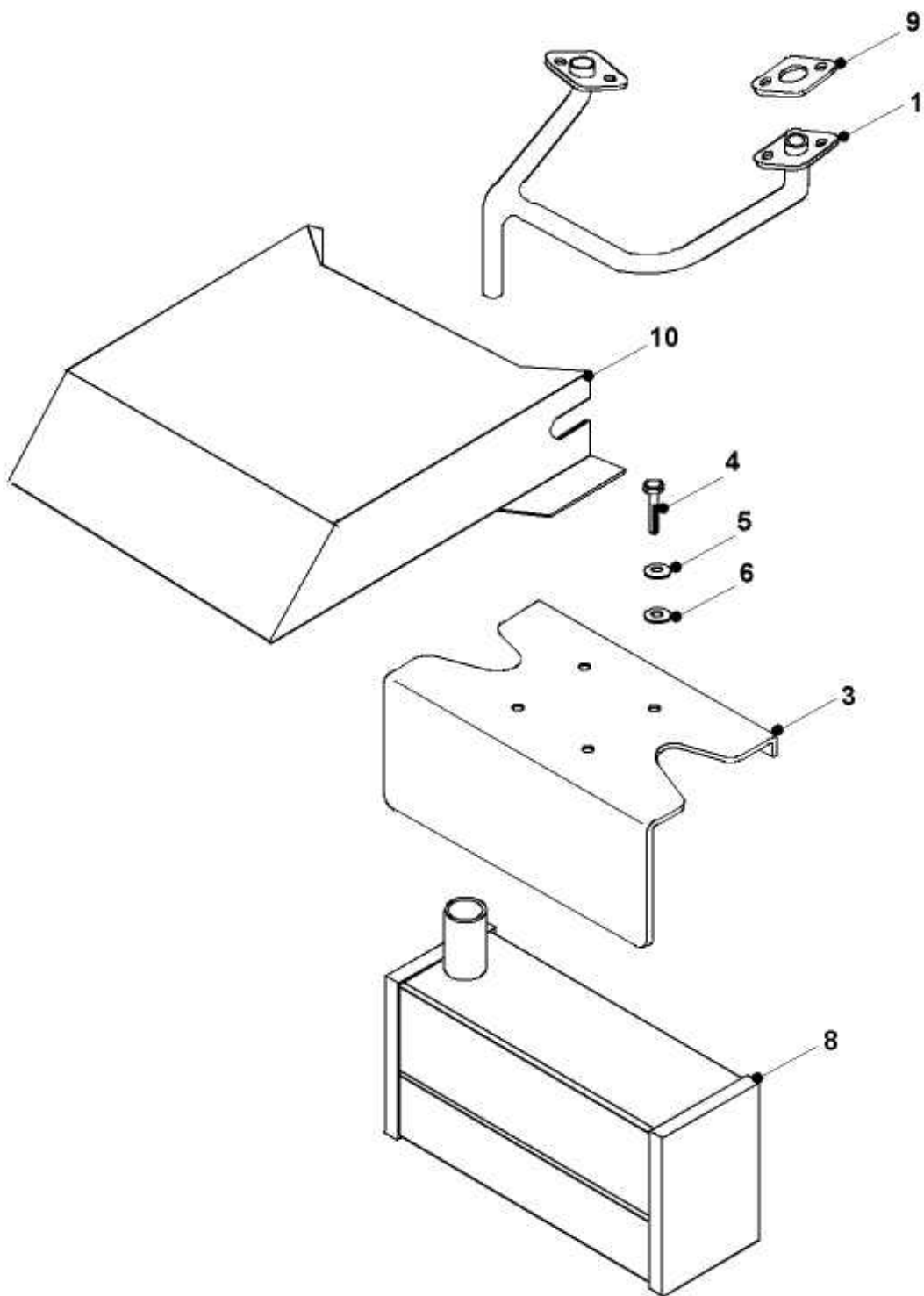
DRWG No: T1370103
ISSUE No: 3

SECTION 1.

**A20/50 TRACTOR
FRONT AXLE ASSEMBLY PARTS LIST**

	PART DESCRIPTION	PART NUMBER
1	Nyloc Nut 5/16" UNF	04827500
2	Washer 5/16" T4 ZP	08819700
3	Front Axle Holder	27115550
4	Side Panel Bracket L.H.	302006200
5	Side Panel Bracket R.H.	302006300
6	M/Screw 5/16" x 3/4"	02827600
7	Axle Beam	327014700
8	Deck Tension Cradle	327009800
9	Bolt 3/8" x 2.1/4" UNF	01821500
10	M/Screw 5/16" x 1"	02819600
11	Washer T3 HP	08820100
12	Nyloc Nut 3/8" UNF	04820200
13	Stub Axle R.H.	327178200
14	Stub Axle L.H.	327178300
15	Bearing 40mm x 3/4" bore	10802200
16	Steering Link Rod End Spacer	183012800
17	Steering Link Short Spacer	183012700
18	Steering Link Support Spacer	183012600
19	Bolt M12 x 120mm	018002200
20	Nyloc Nut 5/16" UNF	04827500
21	Stub Axle Spacer	183006200
22	Track Rod	183018200
23	Nut M12	049381200
24	Circlip External 19mm	07921200
25	Hub Cap Axle Beam	27113900
26	Steering Arm	327177000
27	Washer 5/16" T4	08819700
28	Bolt 5/16" x 2" UNF	01820900
29	Galvanised Washer 32mm x 19.5mm	30127900
30	Rod End M12	10872800
31	Galvanised Washer 46mm x 13mm	30128100
32	Washer 3/4" T3 LP	08822900
33	Bearing 62032RS 3/4"	10802200
34	Front Wheel Complete	198001400
34a	Wheel Rim	198001900
35	Front Tyre	198000600
35a	Valve	14889200
36	Washer 1" x 1/2" ID	08822500
37	Washer 46mm x 13mm ID	30128100
38	Nyloc Nut 1/2" UNF	04822400
39	Hub Cap	14811800
40	Chassis	327006301
41	Nut M12	049381100
42	Bullbar	327008800

A20/50 TWIN EXHAUST ASSEMBLY



**DRWG No : T1300101
ISSUE No : 1**

SECTION 2.

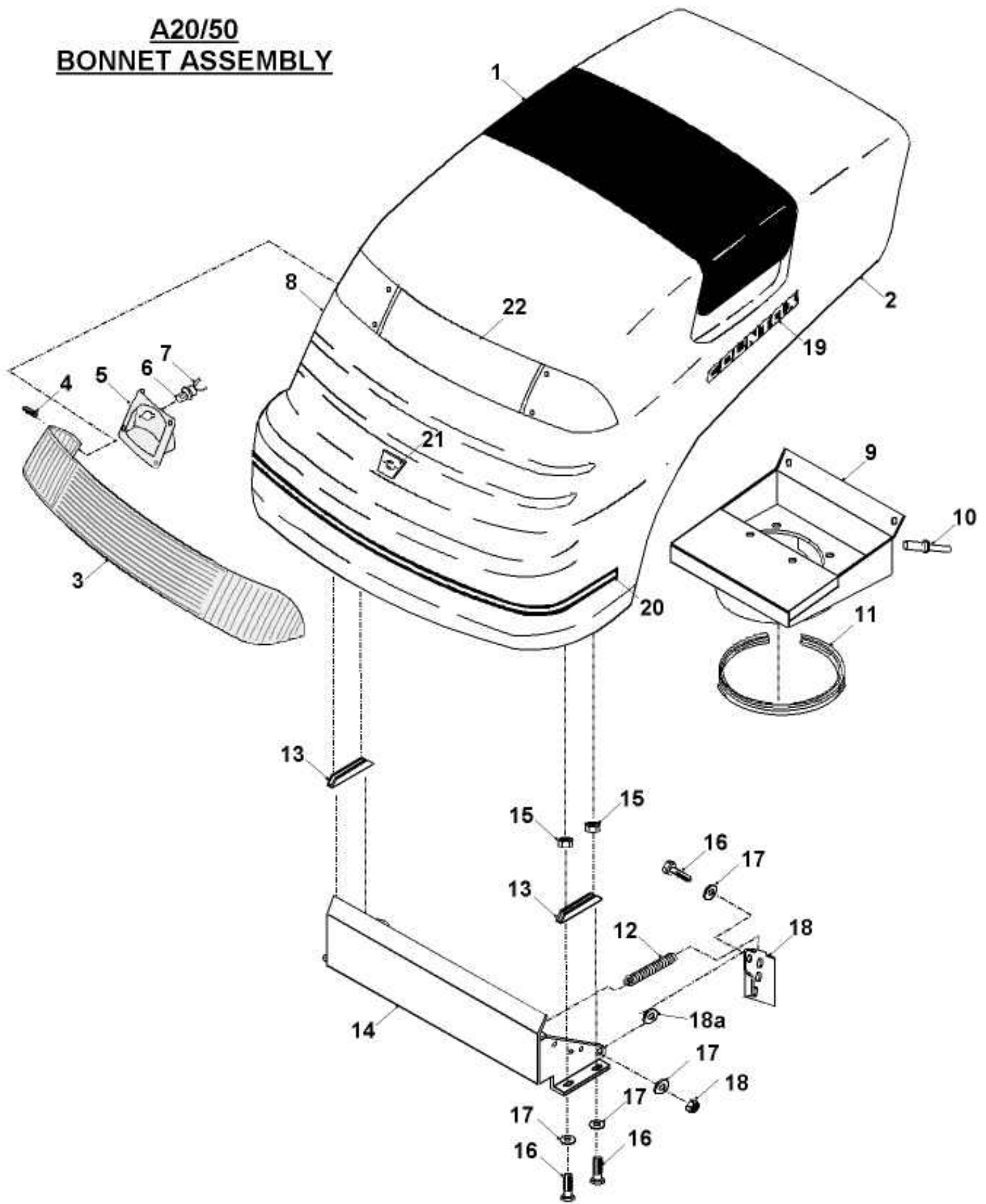
**A20/50 TRACTOR
EXHAUST ASSEMBLY PARTS LIST**

	PART DESCRIPTION	PART NUMBER
1	Exhaust Manifold	327172300
3	Exhaust Cover	30122950
4	Bolt 1/4" UNC x 1 1/4"	01850800
5	Washer 1/4" Shakeproof	08824200
6	Washer 1/4" T3 LP	08827800
7	Exhaust Paste	52923800
8	Exhaust Box	327007301
9	Exhaust Gaskets	(Supplied By Briggs & Stratton)
10	Heat Shield	52100000

**A20/50 TRACTOR
ENGINE ANCILLARY PARTS LIST**

	PART DESCRIPTION	PART NUMBER
1	Engine - Not Available From Countax	N/A
2	Oil Drain Valve	52851200
3	Engine Pulley Spacer	31854000
4	Engine Pulley	327007700
5	Key 1/4" Square x 1.1/4"	09853400
6	Warner Electric Clutch	44815200
9	Chassis Assembly	327006301
10	Bolt 7/16" UNF x 6"	01853300
11	Bolt 3/8" UNC x 1.1/4"	01848700
12	Bolt 5/16" UNF x 1.1/2"	01820700
13	Washer 5/16" T4 HP	08819700
14	Nut 5/16" UNF Nyloc	04826400
15	Throttle Control Knob	14810400
16	Screw M4 x 10mm	02847800
17	Nut M4 Nyloc	04826400
18	Washer 4mm	08826200
19	Throttle Control	528004900
20	Rivet 3.2mm x 10mm	12863100
21	Choke Control	52810300
22	Clutch Spacer (clutch kit only)	31330300
23	Pulley Cap	183016800

A20/50
BONNET ASSEMBLY



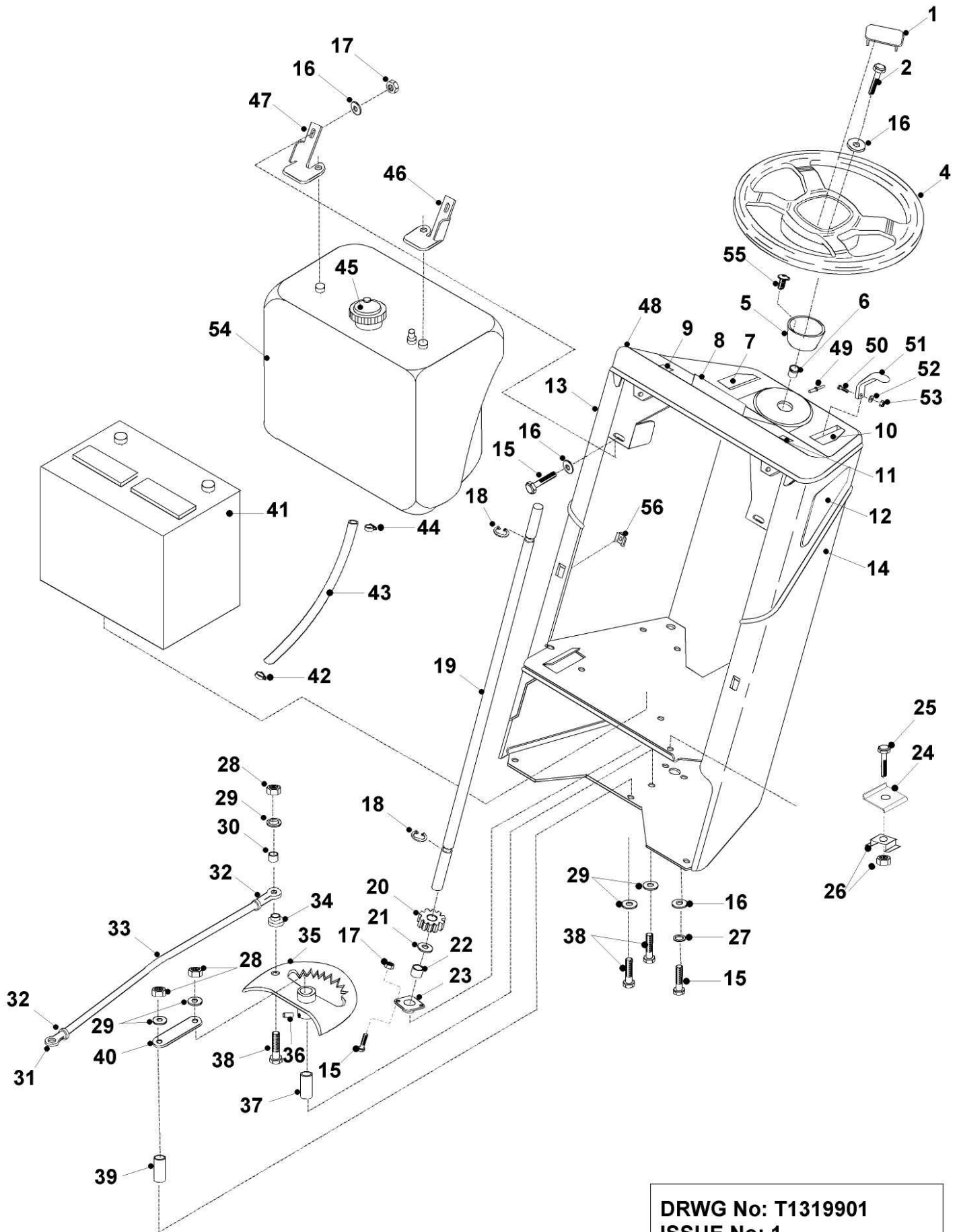
DRWG No: T1299901
ISSUE No: 1

SECTION 4.

**A20/50 TRACTOR
BONNET ASSEMBLY PARTS LIST**

	PART DESCRIPTION	PART NUMBER
1	Bonnet Insert	14929100
2	Bonnet	148003800
	Complete Bonnet Assy A20/50	405004900
3	Headlight Lens	14932800
4	No. 6 x 8mm S/T Screw	02913100
5	Headlamp Reflector (R/H)	14932700
	Headlamp Reflector (L/H)	14932600
6	Bulb 12V 21W	44816200
7	Bulb Holder	44816100
8	Light Loom 3894	44813900
9	A 20/50 Bonnet Cowl	327013400
10	Pop Rivet 4.8mm x 16mm	12860100
11	Edge Trim A20/50 (810cm)	14896100
12	Bonnet Spring	25805200
13	Bonnet Hinge Back Plate	27116500
14	Bonnet Hinge Assembly	32730100
15	5/16" Nyloc Nut	04827500
16	Bolt 5/16" UNF x 1"	02819600
17	Washer 5/16" T4	08819700
18	Bonnet Hinge Stop (LH)	27103300
	Bonnet Hinge Stop (RH)	27113600
18a	Bonnet Pivot Boss (Not Illustrated)	31306100
19	"Countax" Badge (With Pins)	35932500
20	Bumper Stripe	35931100
21	Countax Badge	35929300
22	Headlight Lens Decal	35931200
23	A20/50 Drive Belt Decal (location under bonnet)	358009801

A20/50 CONSOL ASSEMBLY



DRWG No: T1319901
ISSUE No: 1

SECTION 5.

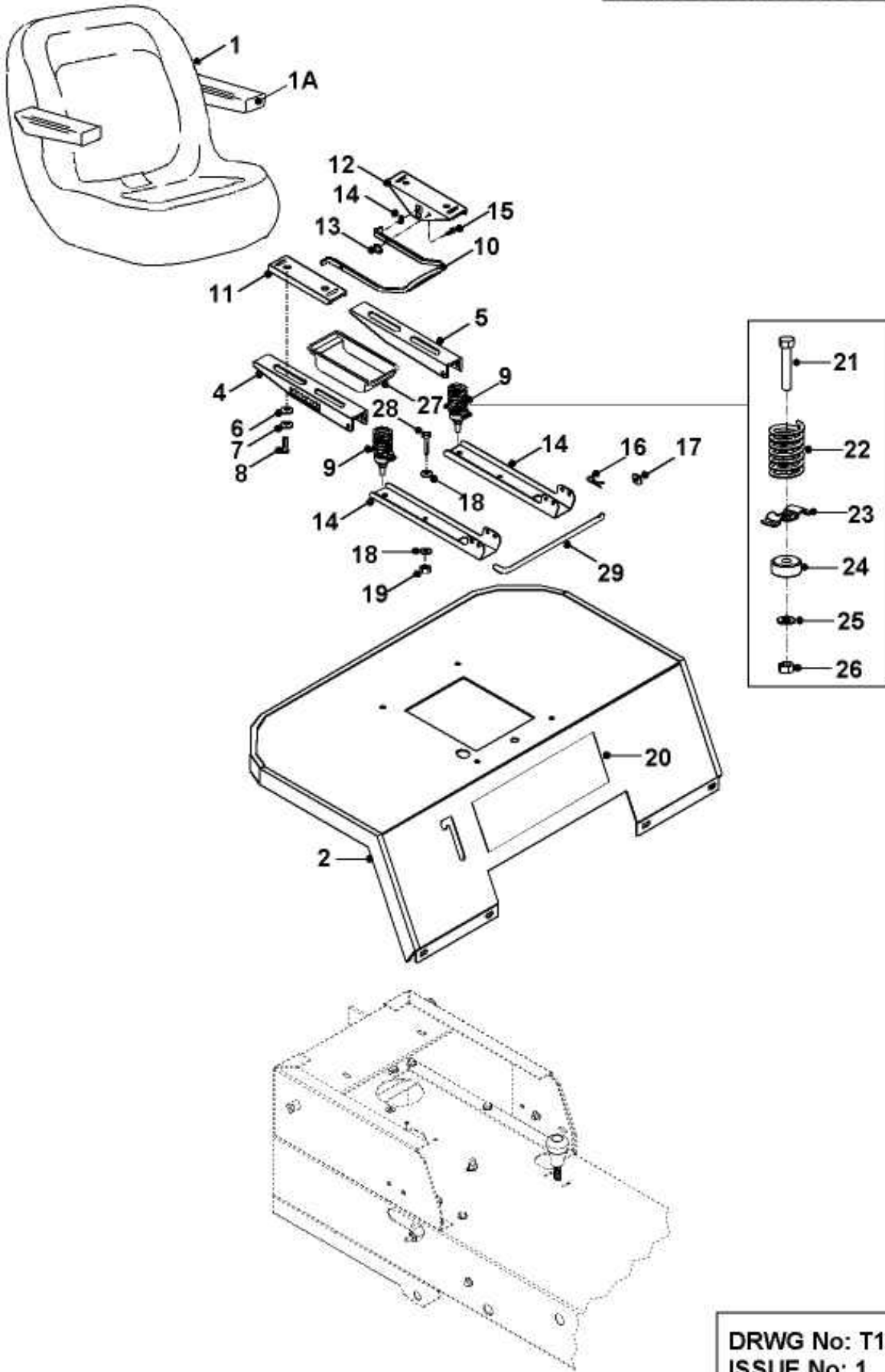
**A20/50 TRACTOR
CONSOL ASSEMBLY PARTS LIST**

	PART DESCRIPTION	PART NUMBER
1	Steering Wheel Cap	14938700
2	Bolt 5/16" UNF X 1"	02819600
4	Steering Wheel	14928200
5	Steering Wheel Shroud	14933600
6	Column Upper Bush	14801800
7	Decal Facia Deck Height Indicator	52907600
8	Decal Facia P.C.B.	52867200
9	Decal Facia Headlight / Ignition	52867300
10	Decal Facia Hare/Tortoise	52867600
11	Decal Facia Cutter Deck & Choke	52867500
12	Knee Pad R/H	14859200
13	Knee Pad L/H	14859300
14	Consol Assembly	271004100
15	Bolt 5/16" UNF X 3/4"	02827600
16	Washer 5/16" T4 HP	08819700
17	Nyloc Nut 5/16" UNF	04827500
18	E-Clip 5/8"	07823400
19	Steering Consol	31328400
20	Steering Pinion	213112100
21	Washer 5/8" T3 LP	08822700
22	Steering Rod Spacer	18401500
23	Column Lower Bearing	10801700
24	Battery Clamp	301007400
25	Screw Bolt M5	02885800
26	Captive Nut M5	04928600
27	Washer 5/16" Shakeproof	08855100
28	Nyloc Nut 3/8" UNF	04820200
29	Washer 3/8" T3 HP	08820100
30	Spacer 3/8" Internal x 7mm	31302900
31	Track Rod End M12	10872800
32	Locknut M12	049381200
33	Steering Link Rod	313007400
34	Shoulder Boss - Short	31339600
35	Steering Quadrant	301134100
36	Grease Nipple 5/16" UNF	11808600
37	Steering Rack Pivot	31337400

**A20/50 TRACTOR
CONSOL ASSEMBLY PARTS LIST**

	PART DESCRIPTION	PART NUMBER
38	Bolt 3/8" UNF X 2 1/2"	01821600
39	Steering Support Boss	31337500
40	Steering Link Plate	27102400
41	Battery	45814100
42	Spring Type Hose Clip	11867100
43	Fuel Feed Pipe - 40cm	14803200
44	Jubilee Clip	11856900
45	Fuel Tank Cap	52803100
46	Fuel Tank Bracket R/H	27115800
47	Fuel Tank Bracket L/H	27115900
48	Consol Top	148010600
49	Rivet 4.8mm X 10 mm	12824400
50	Screw M4 x 12mm Pozi Pan	02826300
51	Control Lever Knob	14810400
52	Washer M4	08826200
53	Nyloc Nut M4	04826400
54	Fuel Tank	14803000
55	No. 6 x 8mm Screw	02913100
56	M5 Cage Nut	04936800

A20/50 SEAT ASSEMBLY



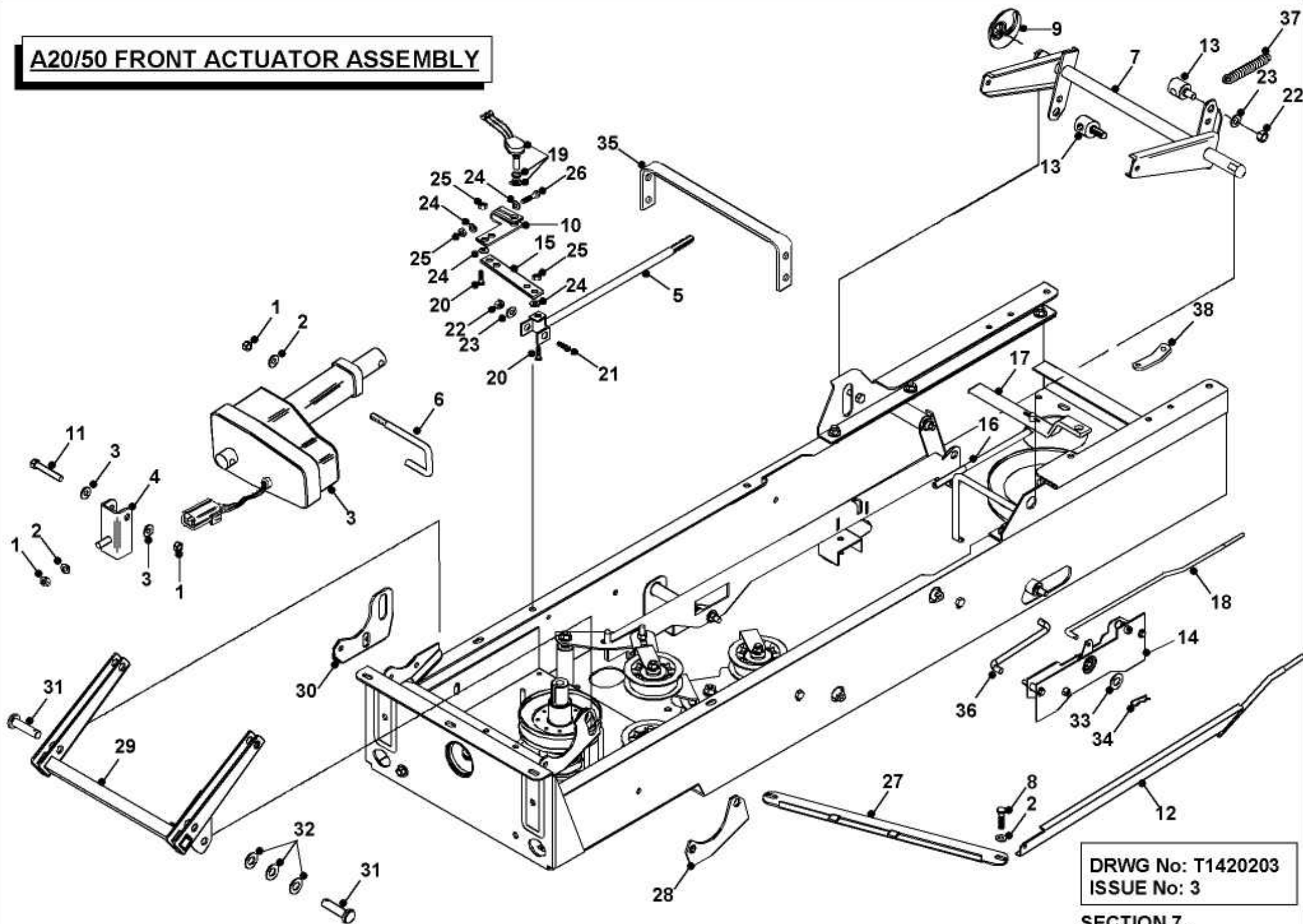
DRWG No: T1409901
ISSUE No: 1

SECTION 6.

**A20/50 SEAT ASSEMBLY
PARTS LIST**

	PART DESCRIPTION	PART NUMBER
1	Seat	148002000
1a	Arm Rest	148002101
2	Rear Body Panel	327010200
3	Seat Attachment Channel	27115400
4	Adjustable Seat Channel R/H	30117700
5	Adjustable Seat Channel L/H	30117800
6	Washer 40 x 10mm HG	08118200
7	Washer 3/8" Shakeproof	08826700
8	Bolt 3/8" UNC x 3/4"	02825200
9	Seat Spring Assembly	405003200
10	Seat Handle	30203100
11	Seat Plate Adjuster R/H	30117900
12	Seat Plate Adjuster L/H	30118000
13	Starlock Washer	08868700
14	Seat Channel LH	30117900
	Seat Channel RH	30118000
15	Rivet 1/4" x 1/2"	12885800
16	Rue Clip	06849100
17	Washer 5/16" T3 LP	08819500
18	Washer 5/16"	08819700
19	Nyloc Nut 5/16" UNC	04827500
20	Decal (A20/50 Mulcher)	35955900
21	Bolt 3/8" UNF x 1.1/2"	01855000
22	Adjustable Seat Spring	25845600
23	Spring Retaining Washer (Seat)	27835400
24	Seat Spring Spacer	31330800
25	Washer 3/8" T3 HP	08820100
26	Nut 3/8" UNF Nyloc	04820200
27	Tool Tray	14848500
28	Bolt 5/16" UNF x 3/4"	31334800
29	Seat Pivot Rod	31301800

A20/50 FRONT ACTUATOR ASSEMBLY



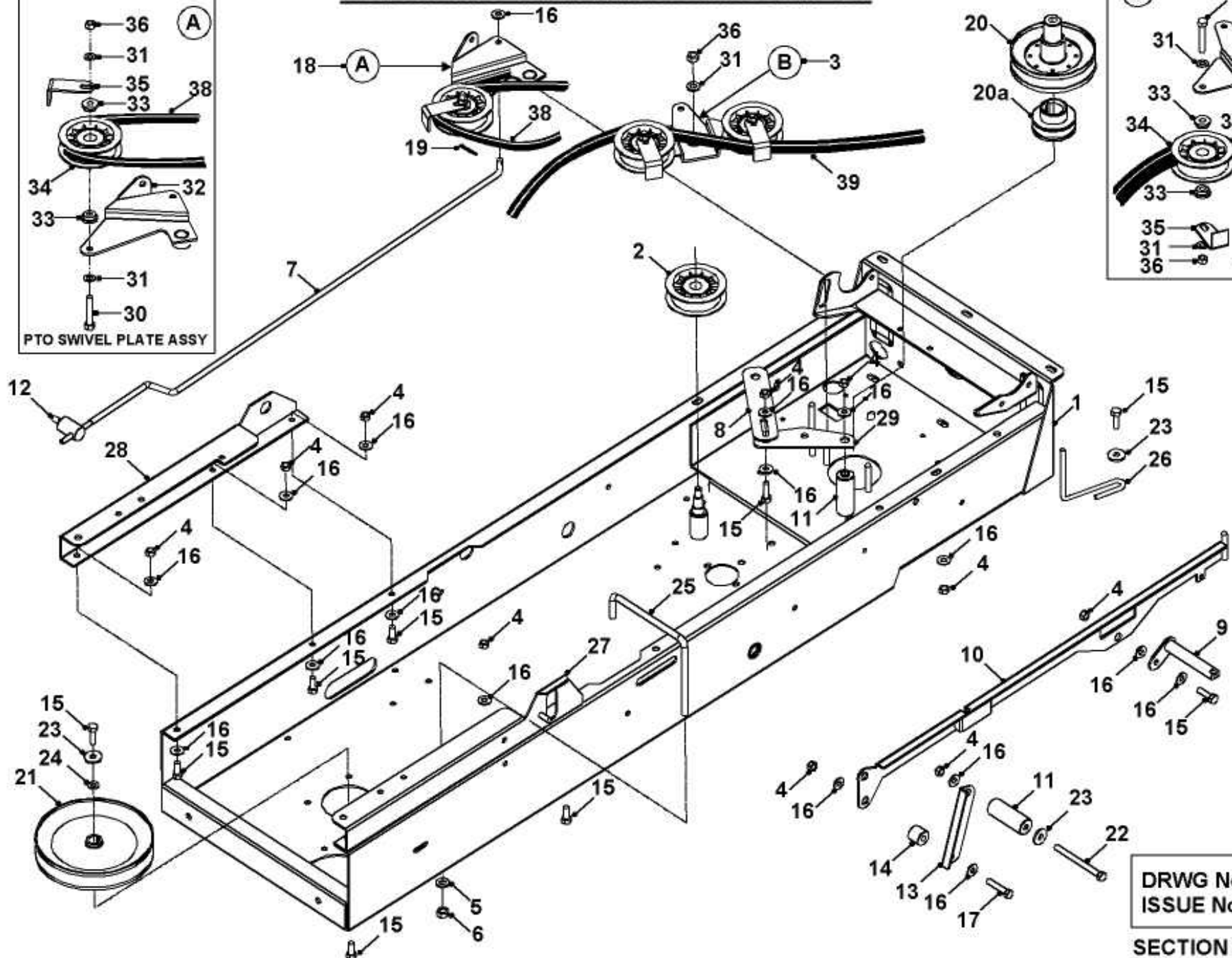
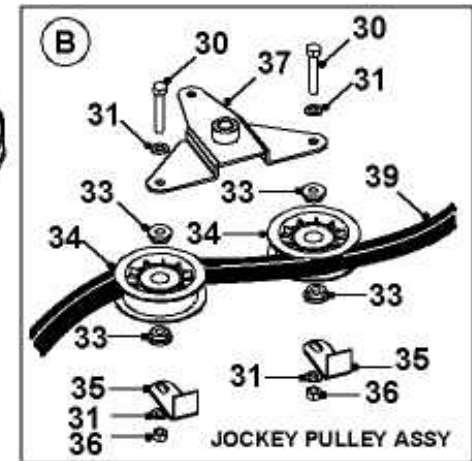
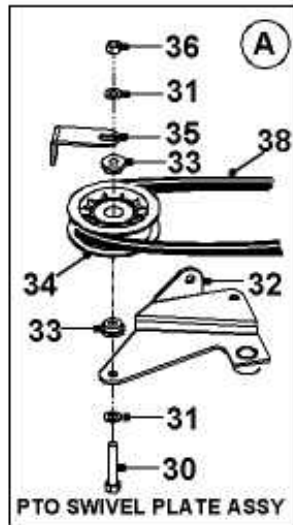
DRWG No: T1420203
ISSUE No: 3

SECTION 7.

A20/50 FRONT ACTUATOR ASSEMBLY PARTS LIST

	PART DESCRIPTION	PART NUMBER
1	Nyloc Nut 5/16" UNF	04827500
2	Washer 5/16 "UNF	08819700
3	Cutter Deck Actuator	448002800
4	Deck Lift Actuator Mounting Assembly	327008300
5	Deck Lift Con Rod	327007801
6	Front Actuator Clamp	313004900
7	Rear Deck Cradle Assembly	327015301
8	Bolt 5/16" UNF x 3/4"	02827600
9	Rear Deck Level Cam	30117601
10	Potentiometer Bracket	301040600
11	Bolt 5/16" x 2"	01820900
12	Deck Level Bar	327007900
13	Deck Level Trunnion	18805300
14	Transmission Cassette	405002300
15	Con Rod Adjacent Plate	301040700
16	Brake Rod	313004700
17	Transaxle Brake Extension	302005300
18	Forward / Reverse Rod	313004800
19	Potentiometer & Loom	44908000
20	Bolt M5 x 12mm	01942500
21	Bolt M6 x 25mm	01902300
22	Nut M8	04920100
23	Washer M8	088000200
24	Washer M5	08911500
25	Nut M5	04885900
26	Bolt M5 x 20mm	018000100
27	Clutch Bar	302005100
28	Deck Spring Plate	30128400
29	Deck Front Carry Assembly (Front)	327006800
30	Deck Lever Bracket	301040000
31	Deck Swing Lift Pin	31339400
32	Washer 1"	08823100
33	Washer 3/8" T3 HP	08820100
34	Rue Clip	11836700
35	Deck Lift Cradle Rear	292002000
36	Cassette Link Rod	327175600
37	Deck Lift Spring	25885300
38	Deck Lift Spring Anchor	307183500

A20/50 P.T.O TRANSMISSION ASSEMBLY



DRWG No: T1419901
ISSUE No: 1

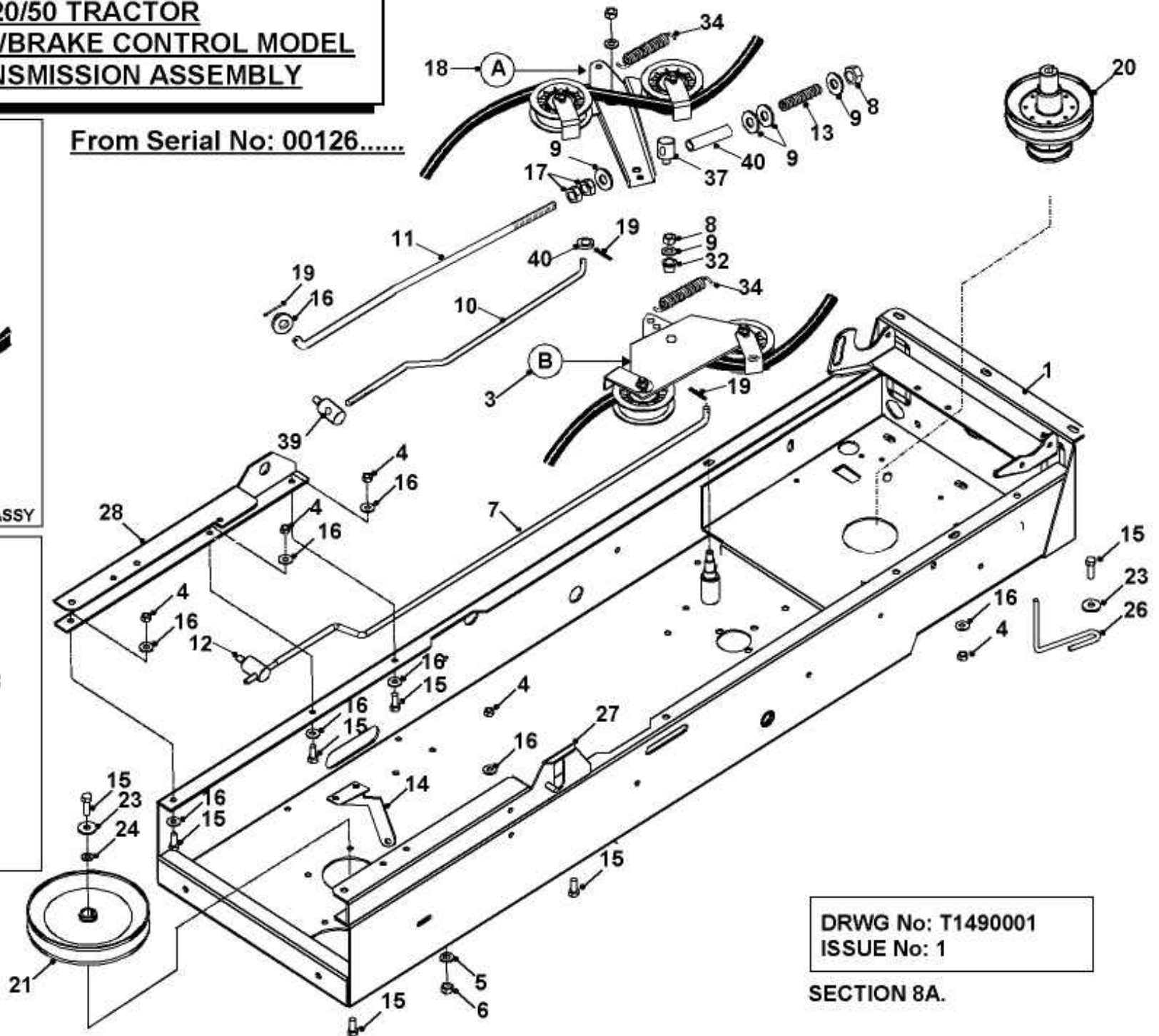
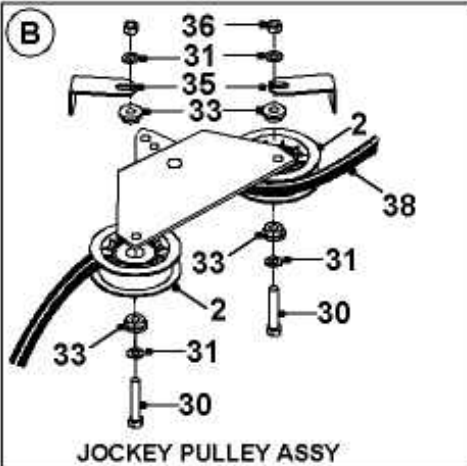
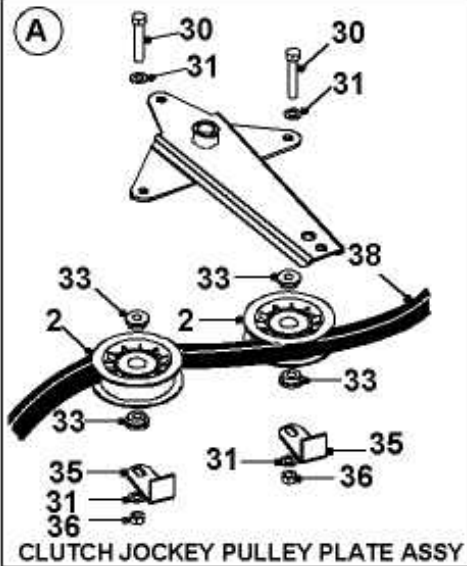
SECTION 8.

**A20/50 TRACTOR
P.T.O. & TRANSMISSION DRIVE
ASSEMBLY PARTS LIST**

	PART DESCRIPTION	PART NUMBER
1	Chassis Assembly	327006300
2	Jockey Pulley	20811500
3	Jockey Pulley Assembly	405002400
4	Nyloc Nut 5/16" UNF	04827500
5	Washer 3/8" T3 HP	08820100
6	Nyloc Nut P-Type UNF	04820200
7	PTO Engage Rod	313005000
8	Clutch Adjuster Plate	302004700
9	Clutch Pedal Shaft Assembly	327008200
10	Brake Rod Assembly	327008600
11	Clutch Link Pivot Boss	183008800
12	PTO Engage Trunnion	18806100
13	Clutch /Brake Drop Arm	302004900
14	Sweeper Roller Spacer	31329200
15	M/Screw 5/16" x 1" UNF	02819600
16	Washer 5/16" T4 HP	08819700
17	Bolt 5/16" x 1.1/2" UNF	01820700
18	PTO Swivel Plate Assembly	405002500
19	Split Pin 1/8" x 1"	06823300
20	Lower Engine Pulley Assembly	327007700
20a	Upper Engine Pulley	183005300
21	Transaxle Pulley	20870700
22	Bolt 5/16" x 3.1/2" UNF	01854700
23	Washer 5/16" UNF	08819800
24	Shakeproof Internal Washer	08855100
25	Rear Belt Guide Rod	313006100
26	Front Belt Retaining Rod	313006200
27	LH Transaxle Mounting Bracket	327009300
28	RH Transaxle Mounting Bracket	301041700
29	Clutch Swivel Plate	302004600
30	Bolt 5/16" x 1.3/4" UNF	01820800
31	Washer 5/16"	08819500
32	Swivel Plate	327009700
33	Sweeper Jockey Cap Boss	31351100
34	Jockey Pulley	20811500
35	Belt Retaining Bracket	27105800
36	Nyloc Nut 5/16" UNF	04827500
37	Clutch Jockey Pulley Plate	327008500
38	Belt Dayco Super II A92 (PTO)	22950100
39	Belt Dayco Super II A88 (Transmission)	22950000

**A20/50 TRACTOR
HAND CLUTCH/BRAKE CONTROL MODEL
P.T.O TRANSMISSION ASSEMBLY**

From Serial No: 00126.....



DRWG No: T1490001
ISSUE No: 1

SECTION 8A.

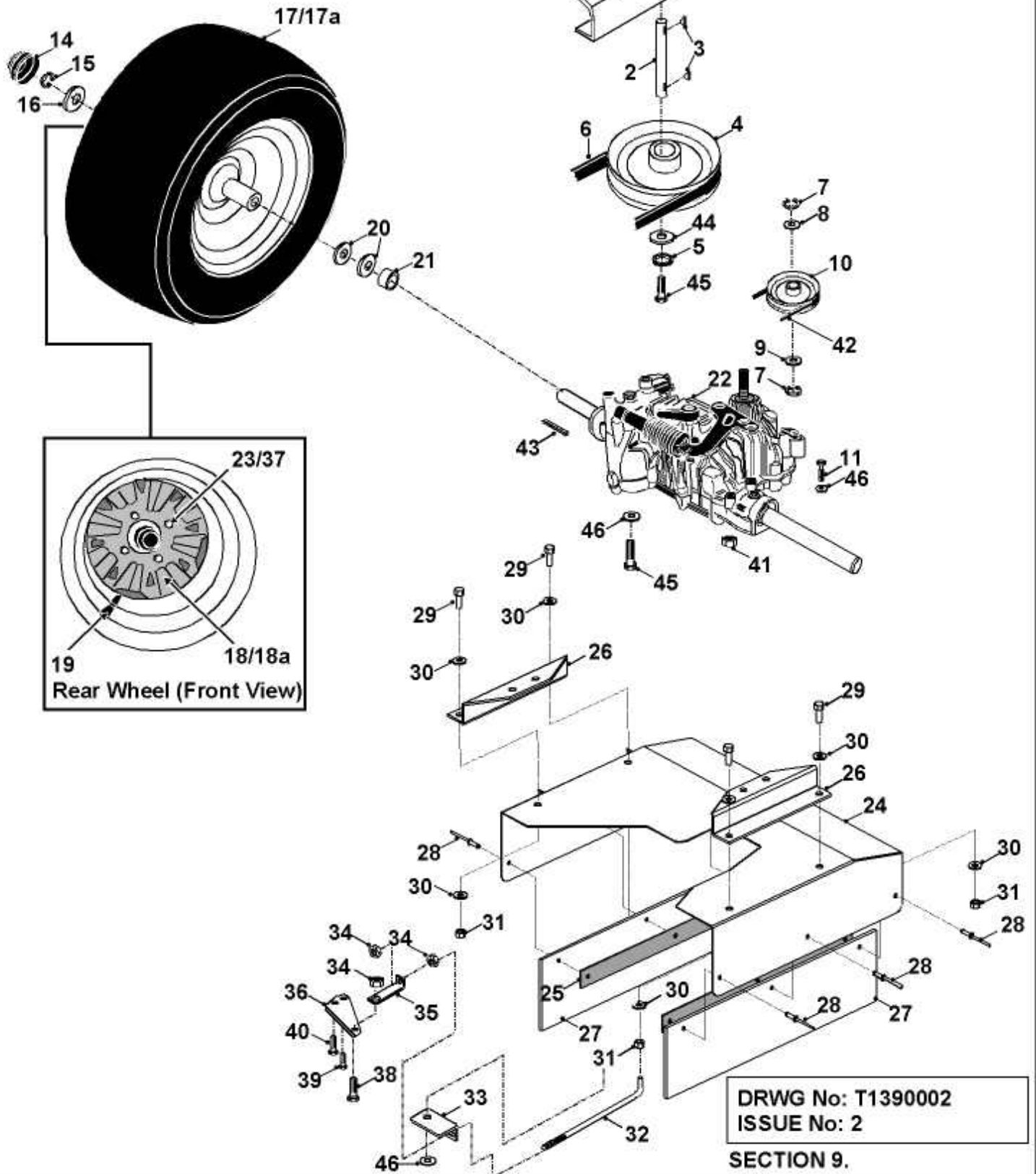
**A20/50 TRACTOR
HAND CLUTCH / BRAKE CONTROL MODEL
P.T.O. & TRANSMISSION DRIVE ASSEMBLY**

From Serial No: 00126.....

PARTS LIST

	PART DESCRIPTION	PART NUMBER
1	Chassis Assembly	327006301
2	Jockey Pulley	20811500
3	Jockey Pulley Assembly	321122700
4	Nyloc Nut 5/16" UNF	04827500
5	Washer 3/8" T3 HP	08820100
6	Nyloc Nut P-Type UNF	04820200
7	PTO Engage Rod	313010801
8	Nut 3/8" UNF	04820200
9	Washer 3/8" T3	08820100
10	Transmission Rod	313018600
11	Park Brake Engine Rod	313010701
12	PTO Engage Trunnion	18806100
13	Compression Spring Brake Rod	259405100
14	Spring Finger Plate	301119600
15	M/Screw 5/16" x 1"	02819600
16	Washer 5/16" T4 HP	08819700
17	Nut 3/8" Lock Nut Steel	049381400
18	Clutch Jockey Pulley Plate Assembly	321122300
19	Split Pin 1/8" x 1"	06823300
20	Engine Pulley Assembly	327006500
21	Transaxle Pulley	20870700
22	Bolt 5/16" x 3.1/2" UNF	01854700
23	Washer 5/16" UNF	08819800
24	Shakeproof Internal Washer	08855100
25	Rear Belt Guide Rod	313006100
26	Front Belt Retaining Rod	313006200
27	LH Transaxle Mounting Bracket	327009300
28	RH Transaxle Mounting Bracket	301041700
29	Clutch Swivel Plate	302004600
30	Bolt 5/16" x 1.3/4" UNF	01820800
31	Washer 5/16"	08819500
32	Non Flanged Oilite Bush	52824700
33	Sweeper Jockey Cap Boss	31351100
34	Spring Belt Tension	25849600
35	Belt Retaining Bracket	27105800
36	Nyloc Nut 5/16" UNF	04827500
37	Trunnion Jockey Plate	183018600
38	Belt Dayco Super II A91	228001500
39	Trunnion Park Brake Rod	183018500
40	Brake Rod Tube	183019100

**A20/50 TUFF TORQ
HYDROSTATIC TRANSAXLE**



**A20/50 TRACTOR
TUFF TORQ HYDROSTATIC PARTS LIST**

	PART DESCRIPTION	PART NUMBER
1	Chassis	327006300
2	P.T.O. Shaft	31306000
3	Woodruff Key	09823900
4	Pulley 7"	20870700
5	Washer 5/16" Shakeproof	08855100
6	PTO Drive Belt Dayco A92	22950100
7	Circlip 14mm External	07906600
8	Washer 9/16" T4 HP	08917700
9	Washer 9/16" T4 LP	08917800
10	Pulley	20904400
11	Bolt 5/16" UNF x 2.1/2"	01821100
14	Hub Cap	14811800
15	Circlip 19mm External	07921200
16	Washer 46mm x 19.5mm	30127800
17	Rear Wheel Assembly Complete	198001500
17a	Rear Tyre	198000400
18	Rear Wheel Rim Assembly	198000500
	Grease Nipple	11898800
	`O' Ring	24898700
	Washer 5/16" Shakeproof	08823500
18a	Rear Wheel Hub	198001300
19	Valve Assembly	14889200
20	Washer 3/4" T3 LP	08822900
21	Wheel Spacer.	31324900
22	Tuff Torq K61 Transaxle	478000000
23	Wheel Stud	128000200
24	Transaxle Deflector	301048200
25	Deflector Fixing Strip	301049300
26	Deflector Mounting Bracket	301048400
27	Deflector Rubber	148004600
28	Rivet	12847900
29	Bolt 5/16" x 3/4"	02827600
30	Washer 5/16"	08819700
31	Nut Nyloc 5/16" UNF	04827500
32	Dump Valve Rod	18322800
33	Dump Valve Rod Bracket	30138700
34	Nut 1/4" UNC Nyloc	04897500
35	Dump Valve Link Plate	30130500
36	Nut 1/4" UNF Nyloc	04819400
37	Wheel Nut	048000800

**A20/50 TRACTOR
TUFF TORQ HYDROSTATIC
PARTS LIST**

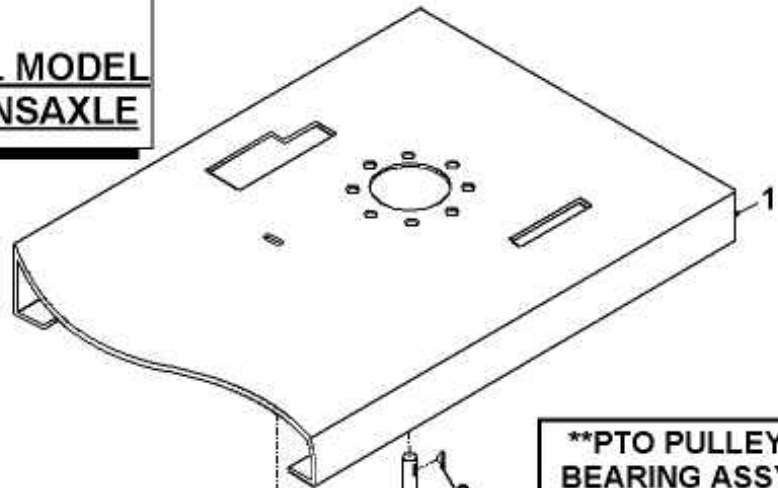
	PART DESCRIPTION	PART NUMBER
38	Bolt 1/4" UNF x 3/4"	02827700
39	Bolt M4 x 20mm	01917000
40	Bolt M8 Taptite	01821000
41	Nut M4 Nyloc	04917100
42	Transmission Drive Belt Dayco A88	22950000
43	Key 2" x 3/16"	09830700
44	Washer 5/16" ID x 1" OD	08819800
45	Bolt 5/16" UNF x 3/4"	02827600
46	Washer 5/16" T4 HP	08819700

JANUARY 2002

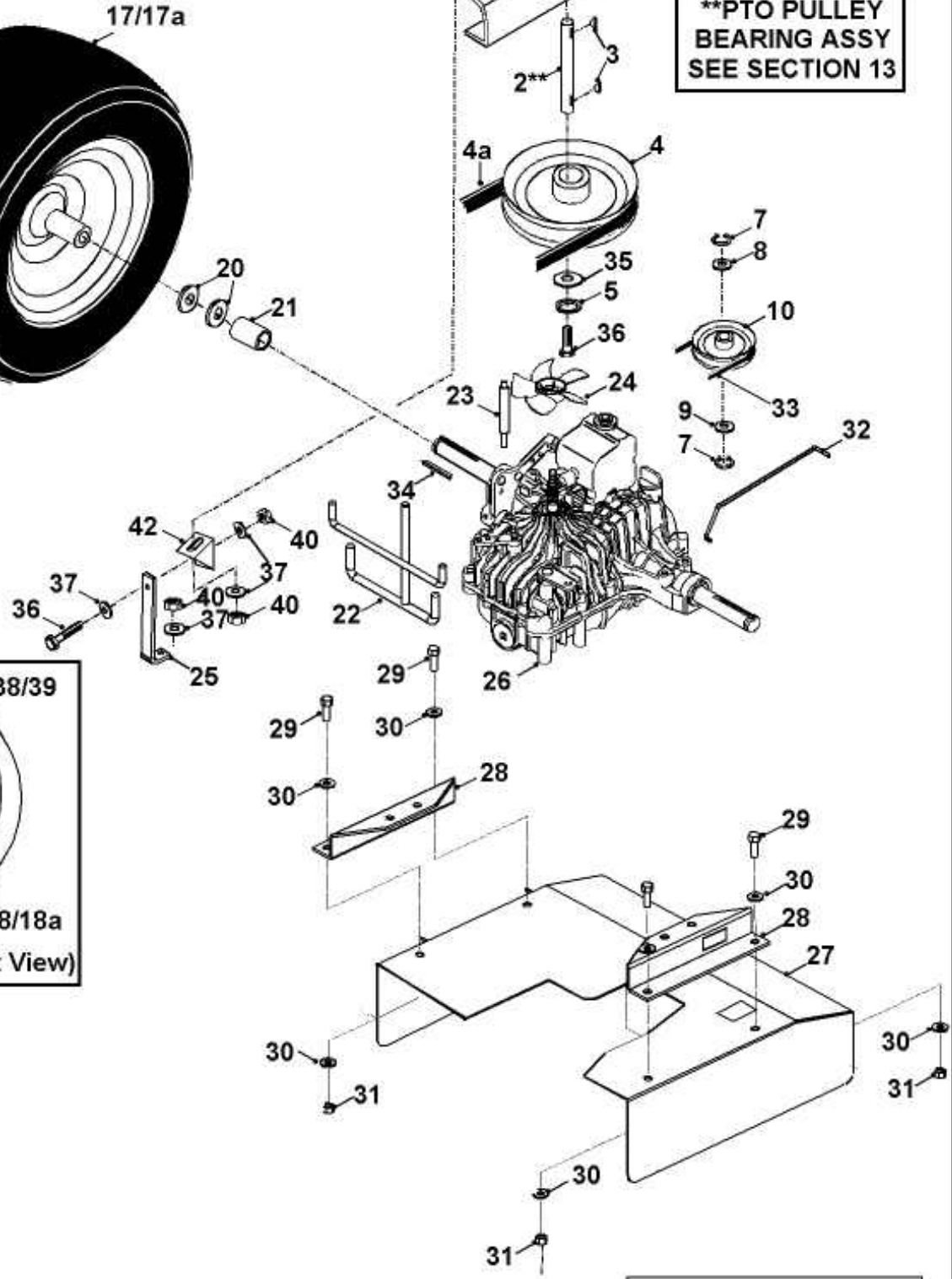
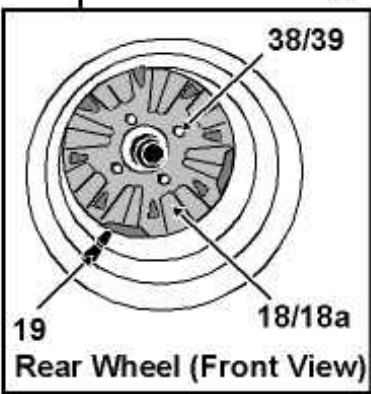
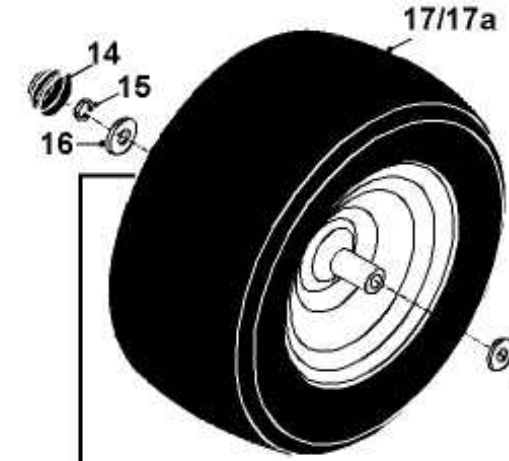
SECTION 9

**A20/50 TRACTOR
HAND CLUTCH/BRAKE CONTROL MODEL
TUFF TORQ HYDROSTATIC TRANSAXLE**

From Serial No: 00126.....



****PTO PULLEY
BEARING ASSY
SEE SECTION 13**



**DRWG No: T1470101
ISSUE No: 1**

SECTION 9A.

A20/50 TRACTOR HAND CLUTCH / BRAKE CONTROL MODEL
TUFF TORQ HYDROSTATIC
From Serial No: 00126.....
PARTS LIST

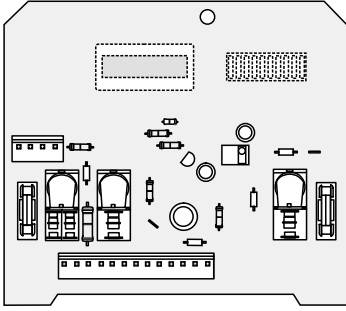
	PART DESCRIPTION	PART NUMBER
1	Chassis	327006301
2	P.T.O. Shaft	31306000
3	Woodruff Key	09823900
4	Pulley 7"	20870700
4a	Belt Dayco A91 Super II	228001500
5	Washer 5/16" Shakeproof	08855100
7	Circlip 14mm External	07906600
8	Washer 9/16" T4 HP	08917700
9	Washer 9/16" T4 LP	08917800
10	Pulley	20904400
11	Bolt 5/16" UNF x 2.1/2"	01821100
14	Hub Cap	14811800
15	Circlip 25mm External	078000500
16	Washer 46mm x 25mm	089419000
17	Rear Wheel Assembly Complete	198001500
17b	Rear Tyre	198000400
18	Rear Wheel Rim Assembly	198000500
	Grease Nipple	11898800
	`O' Ring	24898700
	Washer 5/16" Shakeproof	08823500
18a	Rear Wheel Hub	198001300
19	Valve Assembly	14889200
20	Washer 3/4" T3 LP	08822900
21	Wheel Spacer 64.5mm x 38mm o.d x 25.5mm i.d.	183018500
22	Belt Tree Assembly	327021800
23	Transaxle Steady LH	313019100
24	Fan K62 Transaxle	148008000
25	Transaxle Steady RH	292003500
26	Tuff Torq K62 Transaxle	478000400
27	Transaxle Deflector	301119700
28	Deflector Mounting Bracket	301119500
29	Bolt 5/16" UNF x 3/4"	02827600
30	Washer 5/16"	08819700
31	Nut Nyloc 5/16" UNF	04827500
32	Dump Valve Rod	313010600
33	Belt A91 Dayco Super 2	228001500
34	Key 2" x 3/16"	09830700
35	Washer 5/16" ID x 1" OD	08819800
36	Bolt 5/16" UNF x 3/4"	02827600
37	Washer 5/16" T4 HP	08819700
38	Wheel Stud	128000200
39	Wheel Nut	048000800
40	Nut Nyloc 5/16" UNF	04827500
42	Torque Bracket	30137700

APRIL 2002

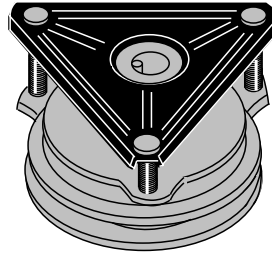
SECTION 9A

A20/50 ELECTRICAL PARTS

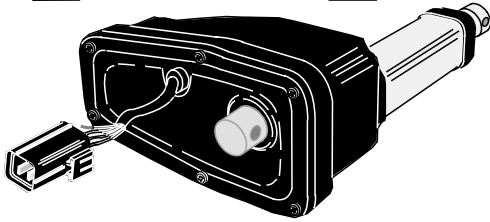
1. MAIN WIRING LOOM PT/ NO: 448004100
2. H.E. DECK / SWEEPER LOOM PT/NO: 44948700**/448005900##
3. NET EMPTYING LOOM KIT PT/NO:448004300



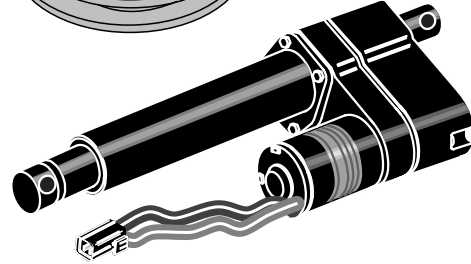
4. P.C.B.
PT/NO: 448001900



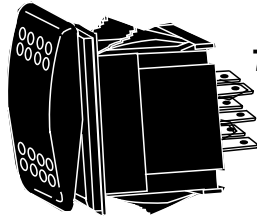
5. WARNER CLUTCH
PT/ NO: 44815200



6. ACTUATOR A20/50; DECK / SWEEPER / NET
PT/NO: 448002800**

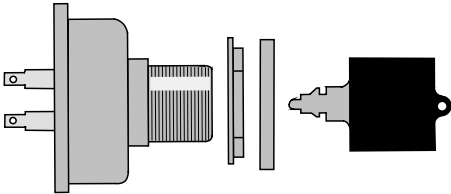


6. ACTUATOR A20/50; DECK / SWEEPER / NET
PT/NO: 44805201##



7. DECK / NET EMPTY SWITCH
PT/NO: 448001501

8. SWEEPER LIFT SWITCH
PT/NO: 448001401



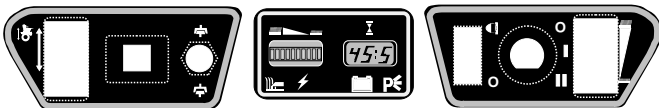
9. IGNITION SWITCH - PT/NO: 44812900

10. IGNITION FIXING NUT - PT/NO: 52813200

11. IGNITION CAP BEZEL - PT/NO: 52813100

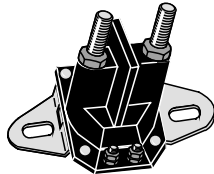
12. IGNITION KEY - PT/NO: 52813000

13. DECAL - PCB HOUR METER / CUTTER DECK HEIGHT
PT/NO: 358002800

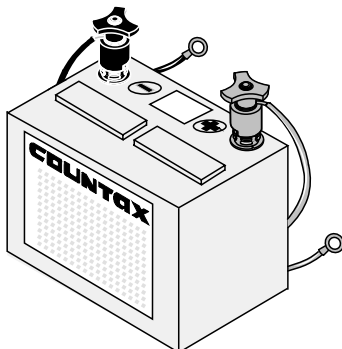


14. DECAL - HEADLIGHTS / IGNITION LIFT
PT/NO: 358002600

15. DECAL - CLUTCH / CHOKE / LIFT
PT/NO: 358002200



16. SOLENOID PT/No 44814801



17. BATTERY 12V PT/No 45814100

18. BATTERY CONNECTOR (+) (RED) PT/No 44812701

19. BATTERY CONNECTOR (-) (BLACK) PT/No 44812801

20. BLACK LEAD BATTERY TO CHASSIS PT/No 44876900

21. RED LEAD BATTERY TO SOLENOID PT/No 44877000

DRWG No: T1350301
ISSUE No: 1

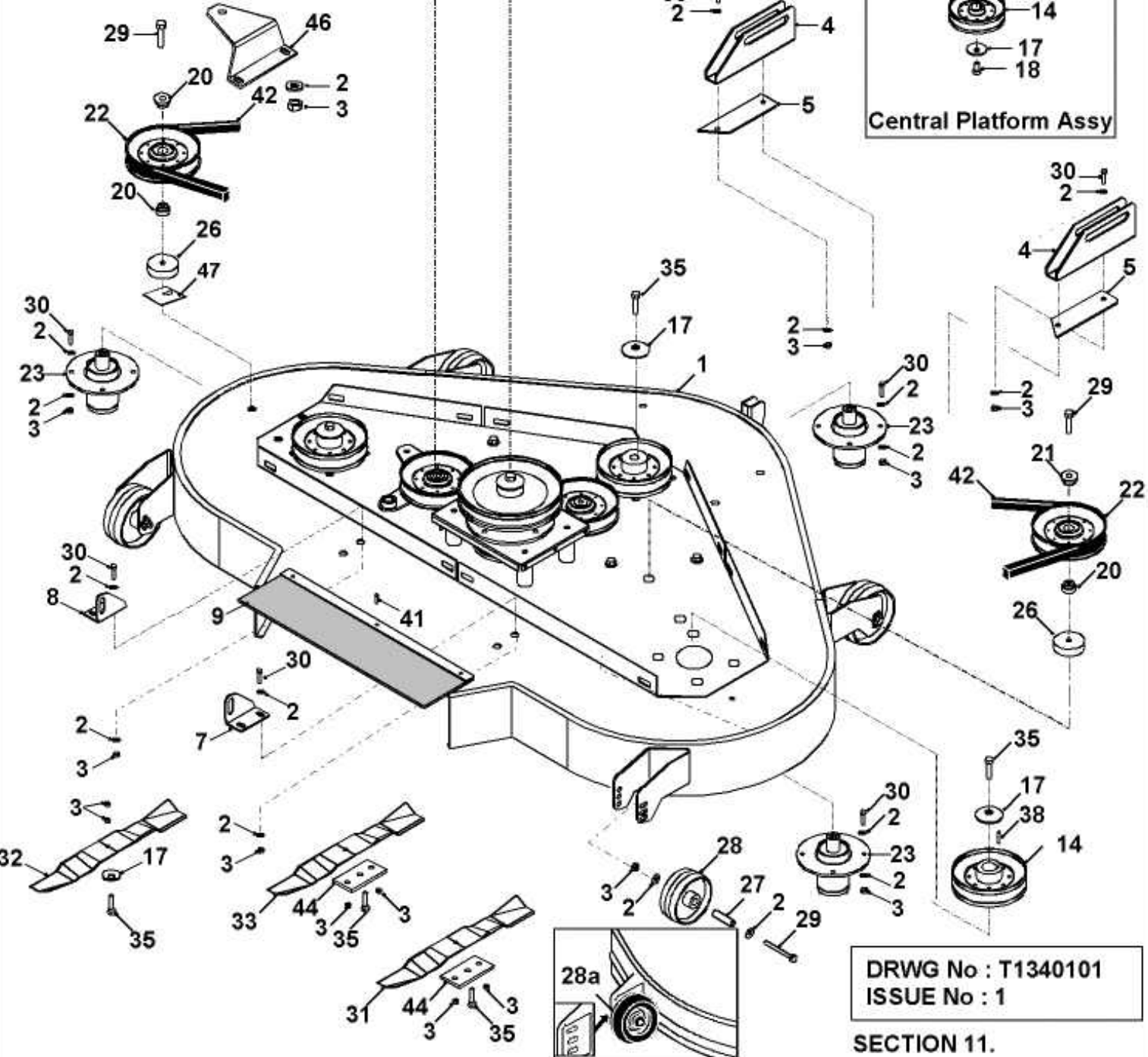
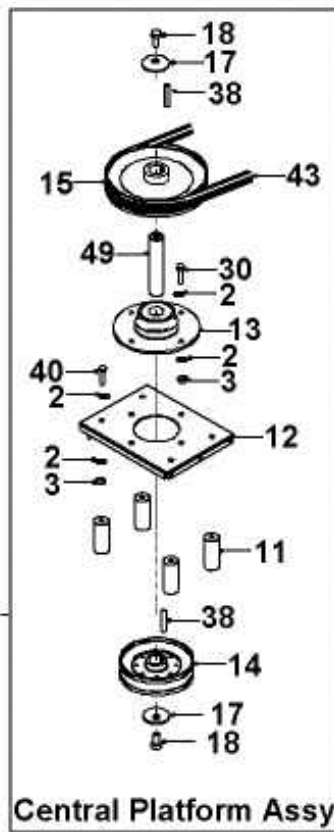
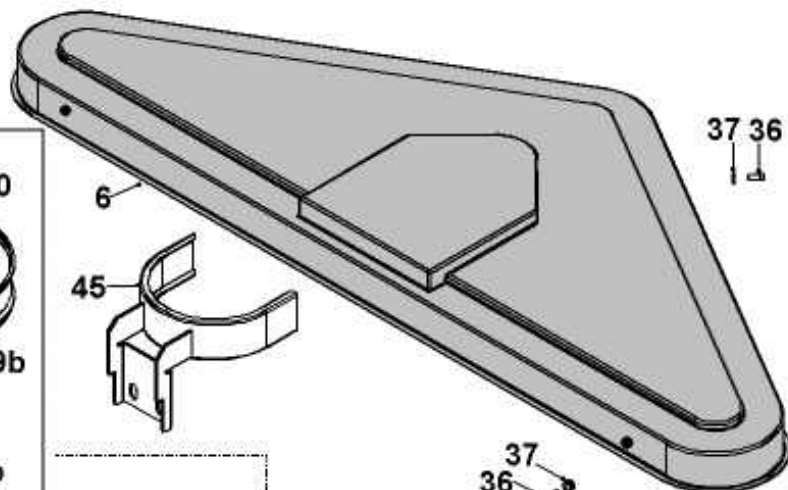
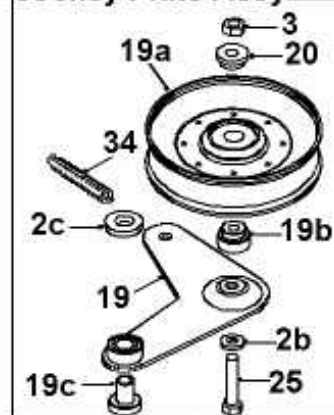
SECTION 10.

A20/50 ELECTRICAL
PARTS LIST

	PART DESCRIPTION	PART NUMBER
1	Main Wiring Loom	448004100
2	H.E.Deck / Sweeper Loom	44948700**/448005900##
3	Net Emptying Loom	448004300
4	Printed Circuit Board	448001900
5	Warner Clutch	44815200
6	Actuator A20/50; Deck / Sweeper / Net	448002800**/448005201##
7	Deck / Net Empty Switch	448001501
8	Sweeper Lift Switch	448001401
9	Ignition Switch	44812900
10	Ignition Fixing Nut	52813200
11	Ignition Cap Bezel	52813000
12	Ignition Key	52813000
13	Decal - PCB Hour Meter / Cutter Height Deck	358002800
14	Decal - Headlights / Ignition Lift	358002600
15	Decal – Clutch / Choke / Lift	358002200
16	Solenoid	44814801
17	Battery 12V	45814100
18	Battery Connector (+) (Red)	44812701
19	Battery Connector (-) (Black)	44812801
20	Black Lead Battery To Chassis	44876900
21	Red Lead Battery To Chassis	44877000

A20/50 REAR DISCHARGE DECK

Jockey Plate Assy



DRWG No : T1340101
 ISSUE No : 1

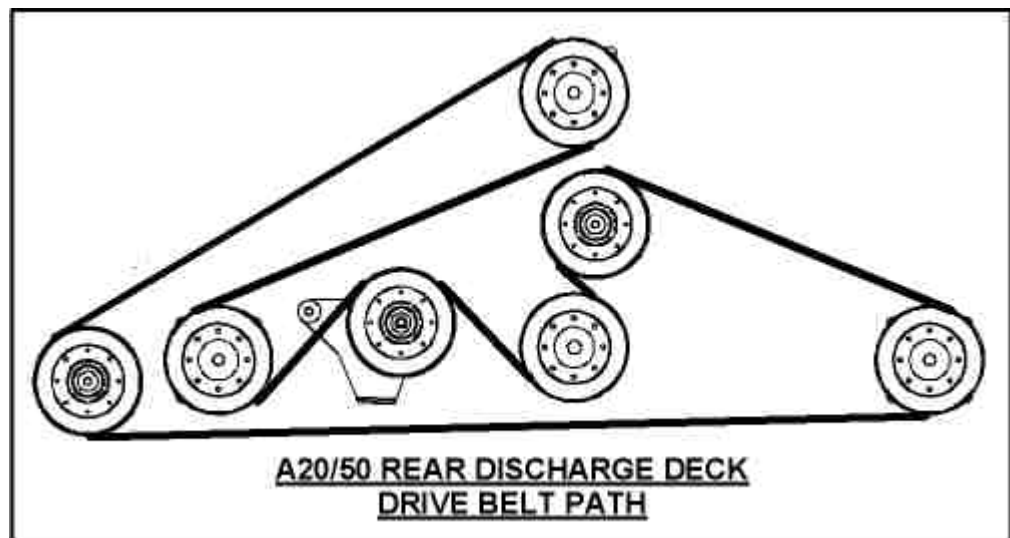
SECTION 11.

A20/50 REAR DISCHARGE DECK
PARTS LIST

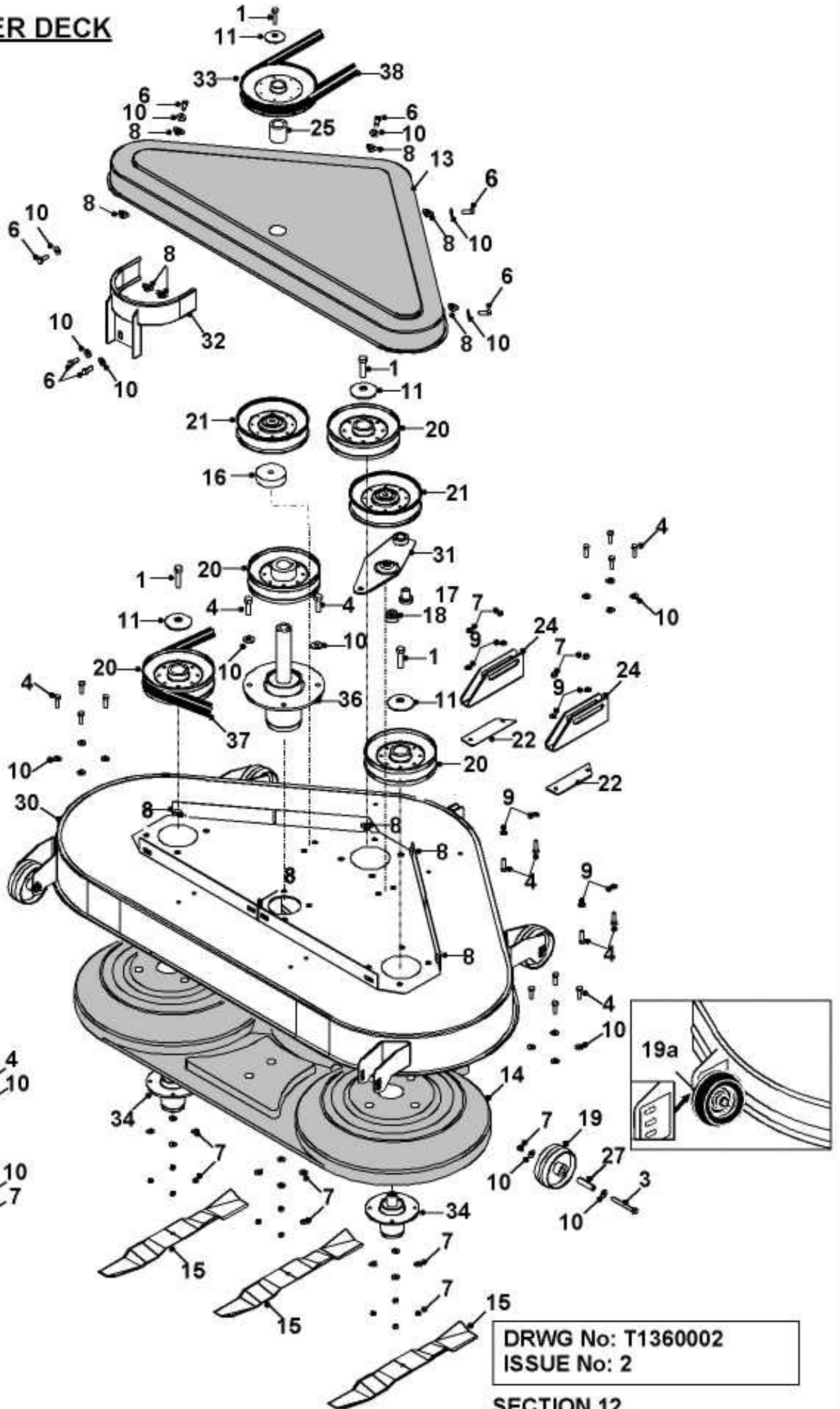
	PART DESCRIPTION	PART NUMBER
1	Rear Discharge Welded Assembly	321001301
2	Washer 5/16" T4HP	08819700
2a	Washer 5/16" x 1"	08819800
2b	Washer 5/16" UNF T3	08819500
3	5/16" UNF Nyloc Nut	04827500
4	Front Deck Bracket	302005000
5	Deck Bracket Packer	301043000
6	Rear Discharge Deck Cover	148005000
7	Rear Deck Bracket RH	30121300
8	Rear Deck Bracket LH	30121400
9	Rear Discharge Rubber Flap	148004900
10	Rear Discharge Rubber Fixing Strip	301050900
11	Rear Discharge Platform Spacer	183012000
12	Rear Discharge Platform	301050800
13	Rear Discharge Bearing Housing Assembly	405005000
14	Internal Deck Pulley	20869500
15	Deck Drive Pulley	20870202
17	Dome Washer	08819900
18	3/8" UNF x 3/4" S/Screw	02874500
19	Rear Discharge Jockey Plate Assembly	327021600
19a	Deck Idler Pulley	20869600
19b	Jockey Wheel Spacer	18831600
19c	Deck Hanging Pivot	18321000
20	Jockey Wheel Spacer	18831600
21	Sweeper Jockey Cap Boss	31351100
22	Deck Idler Pulley	20869600
23	Short Shaft Bearing Housing Assy with Studs	40503604
24	Short Shaft Bearing Housing Assembly	40503704
25	5/16" UNF x 1 1/4 Bolt	01820600
26	Deck Idler Pulley Spacer	18300420
27	Scuff Wheel Hub	31337600
28	Anti-Scalp Wheel	19905500
28a	Anti – Scalp Wheel ('99)	149495800
29	5/16" UNF x 2 3/4" Bolt	01821200
30	5/16" UNF x 1.1/4" S/Screw	02820600
31	RH Cutter Blade 19"	169381300
32	LH Cutter Blade 19"	169381400
33	RH Cutter Blade 17.5"	16929000
34	Deck Spring	25906200
35	3/8" UNF x 1 1/4" Bolt	02820000

A20/50 REAR DISCHARGE DECK
PARTS LIST

36	M8 x 20mm Bolt	02825900
37	M8 Captive Nut	04825800
38	1/4 " x 1/4" x 22mm Key	098450100
39	M8 Nyloc Nut	04822300
40	5/16" UNF x 3" Bolt	01832300
41	Rivet	12860100
42	Deck Belt BB155	22950200
43	Deck Drive Belt B57	22871200
44	Locking Tab	27111200
45	Rear Discharge Deck Drive Belt Guard Assembly	327014300
46	Idler Pulley Support Bracket	301057300
47	Deck Spacer Plate	301058800
48	IBS Deck Decal (50") 127cm (location rear deck)	358010101
49	Drive Shaft	183012400



A20/50 MULCHER DECK



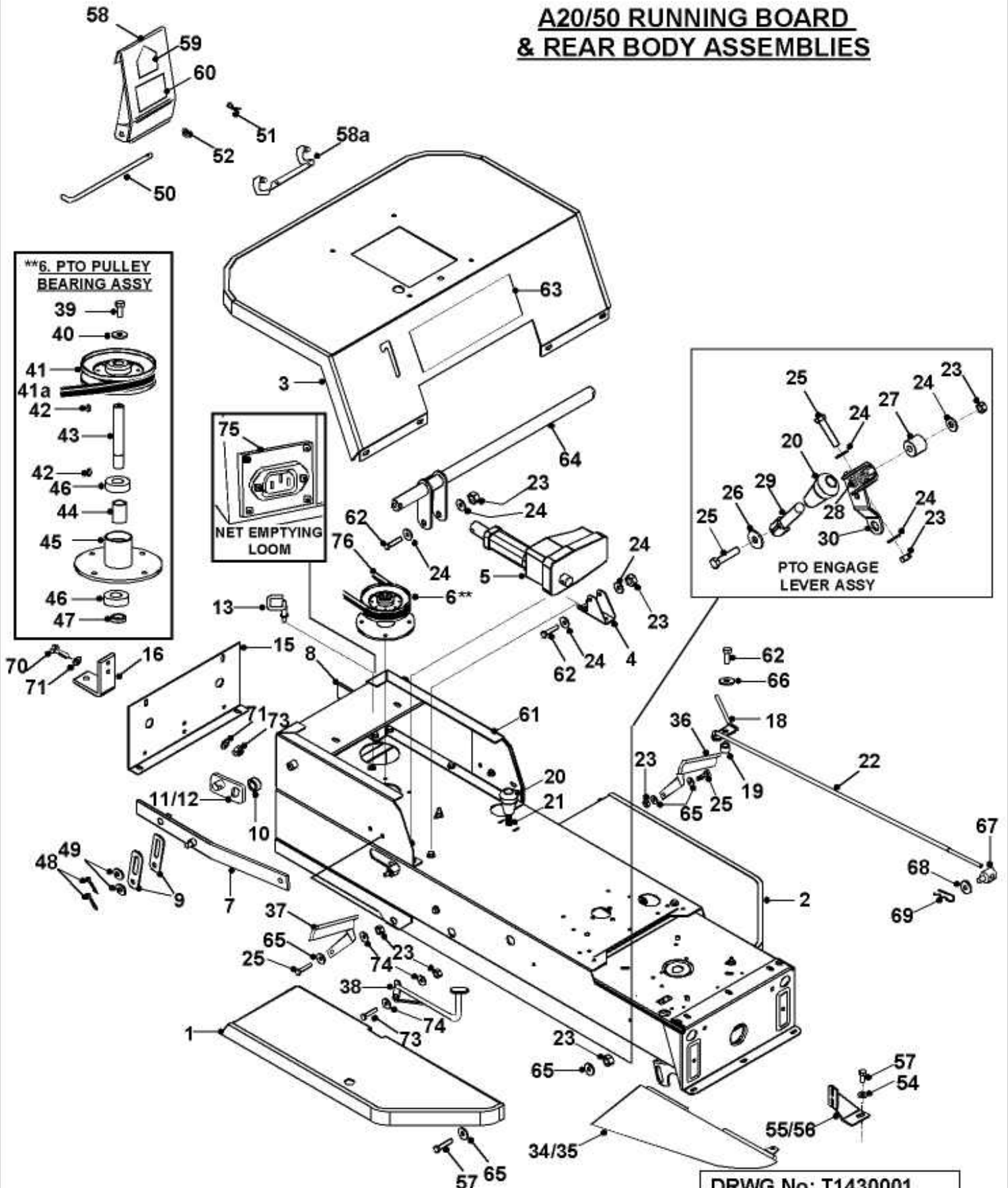
DRWG No: T1360002
ISSUE No: 2

SECTION 12.

**A20/50 MULCHER DECK
PARTS LIST**

	PART DESCRIPTION	PART NUMBER
1	Bolt 5/16" x 1.1/4" UNF	01820600
2	Bolt 5/16" x 1.1/2" UNF	01820700
3	Bolt 5/16" x 2.3/4" UNF HT ZP	01821200
4	S/Screw 5/16" x 1.1/4" UNF	01820600
5	S/Screw 3/16" x 1.1/4" UNF	02820000
6	M/Screw 5/16" UNF x 1"	02819600
7	Nyloc Nut 5/16" UNF	04827500
8	Captive Nut M8	04825800
9	Washer 5/16" T3 LP ZP	08819500
10	Washer 5/16" T4 HP ZP	08819700
11	Dome Washer 1.3/4" x 3/8" x 1/8"	08819900
12	Woodruff Key 1/4" x 1"	09830600
13	Deck Cover	148003000
14	Mulcher Deck Liner	148003100
15	19" Mulcher Blade	16938100
16	Deck Idler Pulley Spacer	18300420
17	Front Deck Hanging Bracket Pivot	18321000
18	Jockey Wheel Spacer	18831600
19	1/2" Bore Anti - Scalp Wheel	19905500
19a	Anti - Scalp Wheel ('99)	149495800
20	Deck Pulley	20869500
21	Deck Idler Pulley	20869600
22	Spacer Plate	301043000
23	Rear Deck Hanging Bracket	301043100
24	Front Deck Bracket	302005000
25	Deck Drive Pulley Spacer	31328300
27	Anti - Scalp Wheel Hub	31337600
28	Sweeper Jockey Cap Boss	31351100
30	Mulcher Deck Shell	327006600
31	Deck Spring Tension Bracket	327008400
32	Deck Guard Assembly	327008700
33	Deck Drive Pulley Assembly	32729000
34	Bearing Housing Assembly - Short	40503704
35	Oilite Bush 160D x 12.5 ID x 16	52824700
36	Bearing Housing Assembly - Long	40503504
37	Dayco Belt BB112	228000900
38	Dayco Belt B57	22871200
39	Mulching Deck Decal (50") 127cm (location rear deck)	358009701

A20/50 RUNNING BOARD & REAR BODY ASSEMBLIES



****6. PTO PULLEY BEARING ASSY**

- 39 — [Fastener]
- 40 — [Fastener]
- 41 — [Pulley]
- 41a — [Pulley]
- 42 — [Pin]
- 43 — [Pin]
- 42 — [Pin]
- 46 — [Washer]
- 44 — [Pin]
- 45 — [Washer]
- 46 — [Washer]
- 47 — [Fastener]

75

NET EMPTYING LOOM

PTO ENGAGE LEVER ASSY

**DRWG No: T1430001
ISSUE No: 4
SECTION 13.**

**A20/50 RUNNING BOARD
& REAR BODY ASSEMBLIES
PARTS LIST**

	PART DESCRIPTION	PART NUMBER
1	Running Board R/H	327010100
2	Running Board L/H	327010000
3	Rear Body Panel	327010200
4	Rear Lift Actuator Mounting	302005600
5	Sweeper Deck Actuator	448005800
6	5" PTO Pulley Bearing Assembly	327002600
7	Sweeper Lift Arm R/H	32720300
8	Sweeper Lift Arm L/H	32721100
9	Sweeper Lift Plate	30133500
10	Sweeper Lift Bar Spacer	31323500
11	Sweeper Lift Plate R/H	327171600
12	Sweeper Lift Plate L/H	327171700
13	Sweeper Belt Retaining Pin	32723800
15	Rear Chassis Panel	301041600
16	Tow Bracket	29200101
18	Deck Tension Lever Assembly	32700600
19	Deck Tension Lever Boss	18317000
20	Lever Knob	14804800
21	Park Brake Spring	25805000
22	Deck Tension Rod	31805601
23	Nyloc Nut 5/16" UNF	04827500
25	Screw 5/16" UNF x 1"	01820700
26	Washer 5/16" x 1"	08819800
27	Sweeper Internal Roller Spacer	31329201
28	Compression Spring Universal	25831100
29	PTO Engage Lever Assembly	32708700
30	PTO Lever Plate	30134501
31	Foot Mat R/H (Not Illustrated)	14800600
32	Foot Mat L/H (Not Illustrated)	14800700
33	Centre Mat (Not Illustrated)	14800800
34	Engine Side Panel R/H	14897100
35	Engine Side Panel L/H	14897000
36	Clutch / Brake Pedal	302014300
37	Forward Pedal	302014200
38	Reverse Pedal	327014400
39	Hex Head Machine Screw 5/16 x 3/4"	02827600

**A20/50 RUNNING BOARD
& REAR BODY ASSEMBLIES
PARTS LIST**

40	Washer 5/16" ID x 1"	08819800
41	5" P.T.O. Pulley	32710300
41a	Belt Dayco Super II A92	22950100
42	Woodruff Key	09835300
43	Tractor PTO Shaft	32306000
44	PTO Centre Spacer	31334804
45	PTO Bearing Housing Assembly	32700301
46	Bearing 6203	10802200
47	PTO End Spacer	31334801
48	Split Pin 1/8" x 1"	07823300
49	Washer 1/2" T3	08822500
50	Pivot Rod	313017800
51	Rue Clip	06849100
52	Washer 5/16" T3 LP	08819500
53	Seat Box Assembly	327010400
54	Washer 5/16" T4 ZP	08819700
55	Side Panel Bracket L/H	302006200
56	Side Panel Bracket R/H	302006300
57	M/Screw 5/16" x 3/4"	02827600
58	PTO Flap	30150700
58a	PTO Flap Hinge	302005200
59	PTO Danger Decal	35804600
60	Sweeper Belt Decal	35809400
61	Rear Seat Box Assembly	327010400
62	Bolt 5/16" UNF x 1.75	01820800
63	Decal (A20/50 Mulcher)	35945900
64	Sweeper Lift Assembly	327009400
65	Washer 5/16" T4 HP	08819700
66	Deck Overlock Pivot	18833700
67	Trunnion	18805500
68	Washer M8	08820100
69	Rue Clip	11836700
70	Bolt M10	01915300
71	Washer M10	088001300
72	Nut M10	04872100
73	Bolt 5/16" x 1.1/2" UNF	01820700
74	Washer 5/16" UNF	08819700
75	Net Emptying Loom	44815200

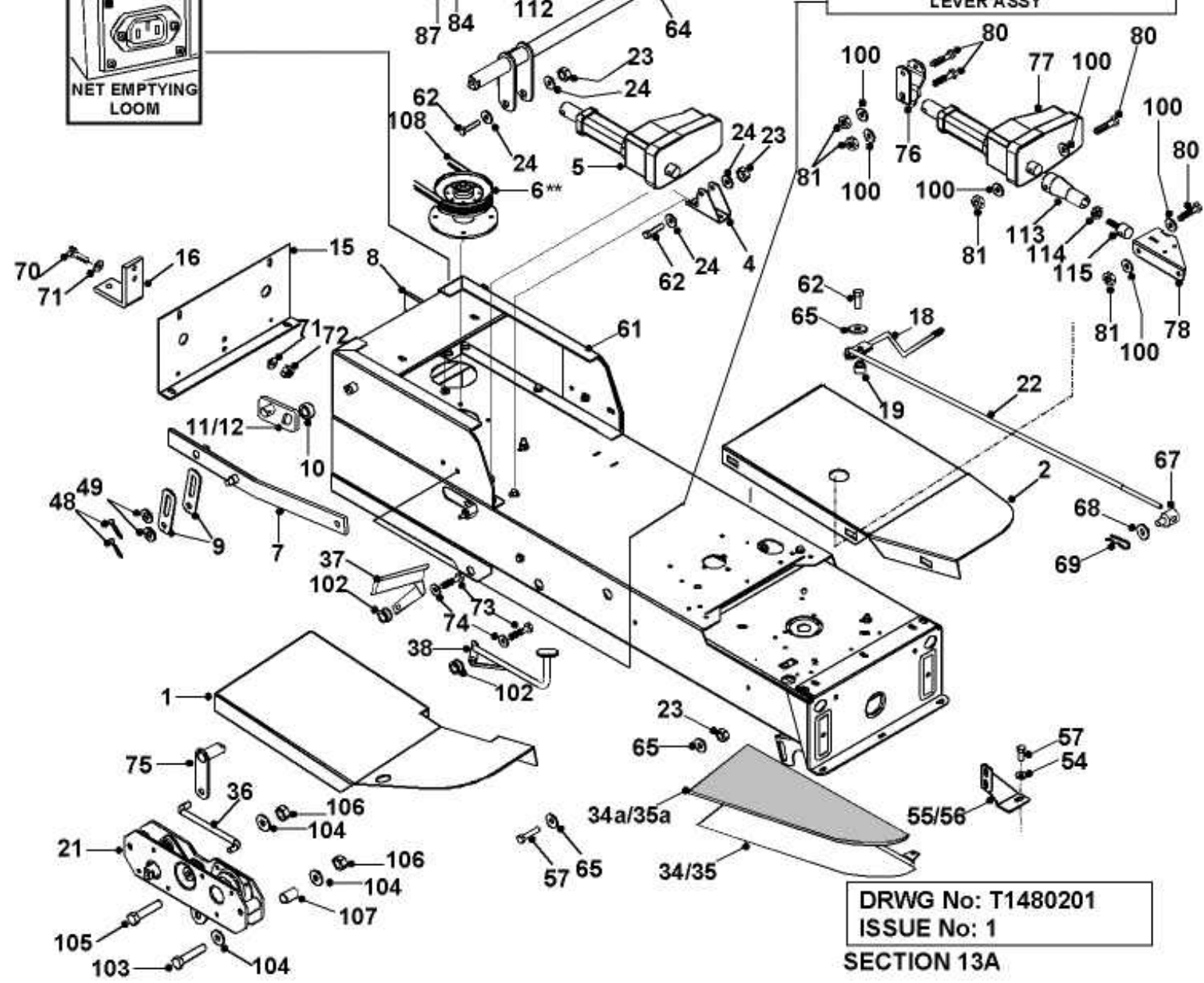
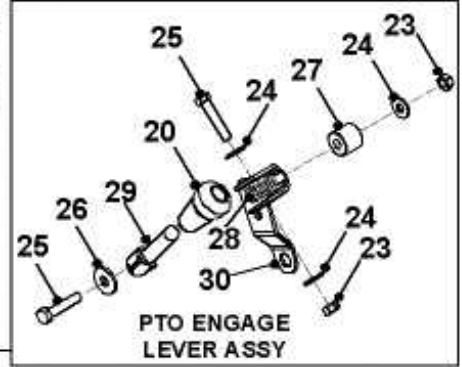
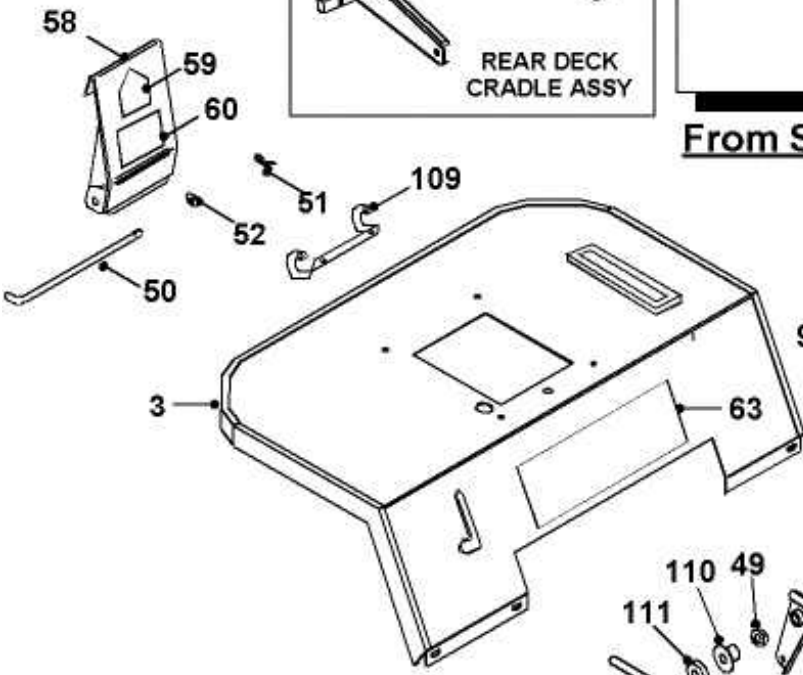
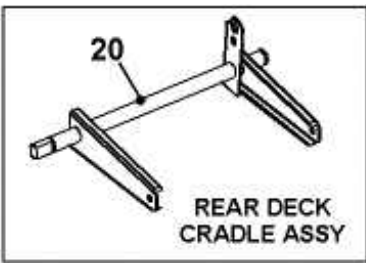
**A20/50 RUNNING BOARD
& REAR BODY ASSEMBLIES
PARTS LIST**

76	Dayco Belt A49	22923400
----	----------------	----------

A20/50 TRACTOR HAND CLUTCH/BRAKE CONTROL MODEL RUNNING BOARD & REAR BODY ASSEMBLIES

From Serial No: 00126.....

** 6. PTO PULLEY BEARING ASSY
SEE SECTION 13



DRWG No: T1480201
ISSUE No: 1
SECTION 13A

**A20/50 HAND CONTROL MODEL
RUNNING BOARD
& REAR BODY ASSEMBLIES
PARTS LIST**

	PART DESCRIPTION	PART NUMBER
1	Running Board R/H	321122500
	Running Board R/H (for Germany)	327010100
2	Running Board L/H	321122400
	Running Board L/H (for Germany)	327010000
3	Rear Body Panel	327010200
4	Rear Lift Actuator Mounting	302005600
5	Sweeper Deck Actuator	448005800
6	5" PTO Pulley Bearing Assembly	208000400
7	Sweeper Lift Arm R/H	32720300
8	Sweeper Lift Arm L/H	32721100
9	Sweeper Lift Plate	30133501
	Sweeper Lift Plate**	301132700**
10	Sweeper Lift Bar Spacer	31323500
11	Sweeper Lift Triangle R/H	32721200
12	Sweeper Lift Triangle L/H	32721300
13	Sweeper Belt Retaining Pin	32723800
15	Rear Chassis Panel	301041600
16	Tow Bracket	29200101
18	Deck Tension Lever Assembly	321122800
19	Deck Tension Lever Boss	18317000
20	Rear Deck Lift Assembly	327015300
21	Transmission Cassette	405006000
22	Deck Tension Rod	31805601
23	Nyloc Nut 5/16" UNF	04827500
25	Screw 5/16" UNF x 1"	01820700
26	Washer 5/16" x 1"	08819800
27	Sweeper Internal Roller Spacer	31329201
28	Compression Spring Universal	25831100
29	PTO Engage Lever Assembly	32708700
30	PTO Lever Plate	30134501
31	Foot Mat R/H	148008800
31	Foot Mat R/H	148008600
32	Foot Mat L/H	148008900
**	Item 9. This Lift Plate to be used when 30133501 Does not give enough lift.	**
33	Centre Mat	14800800

**A20/50 HAND CONTROL MODEL
RUNNING BOARD
& REAR BODY ASSEMBLIES
PARTS LIST**

34	Engine Side Panel R/H	14897100
34a	Side Panel Foam R/H	149497500
35	Engine Side Panel L/H	14897000
35a	Side Panel Foam L/H	149497600
36	Forward / Reverse Cassette Rod	313018900
37	Forward Pedal	321123900
38	Reverse Pedal	321124000
	Items 39 to 47	SEE SECTION 13
48	Split Pin 1/8" x 1"	07823300
49	Washer 1/2" x 1"	08822500
50	Pivot Rod	313017800
51	Rue Clip	06849100
52	Washer 5/16" T3 LP	08819500
54	Washer 5/16" T4 ZP	08819700
55	Side Panel Bracket L/H	302006200
56	Side Panel Bracket R/H	302006300
57	M/Screw 5/16" x 3/4"	02827600
58	PTO Flap	30150700
59	PTO Danger Decal	35804600
60	Sweeper Belt Decal	35809400
61	Rear Seat Box Assembly	327010400
62	Bolt 5/16" UNF x 1.75	01820800
63	Decal (A20/50 Mulcher)	35945900
64	Sweeper Lift Assembly	327009400
65	Washer 5/16" T4 HP	08819700
67	Trunnion	18805500
68	Washer M8	08820100
69	Rue Clip	11836700
70	Bolt M10	01915300
71	Washer M10	088001300
72	Nut M10	04872100
73	Bolt 1/4" X 1"UNF	01844700
74	Shakeproof Washer 3/8"	08826700
75	Linkb Rod Assembly	327022200

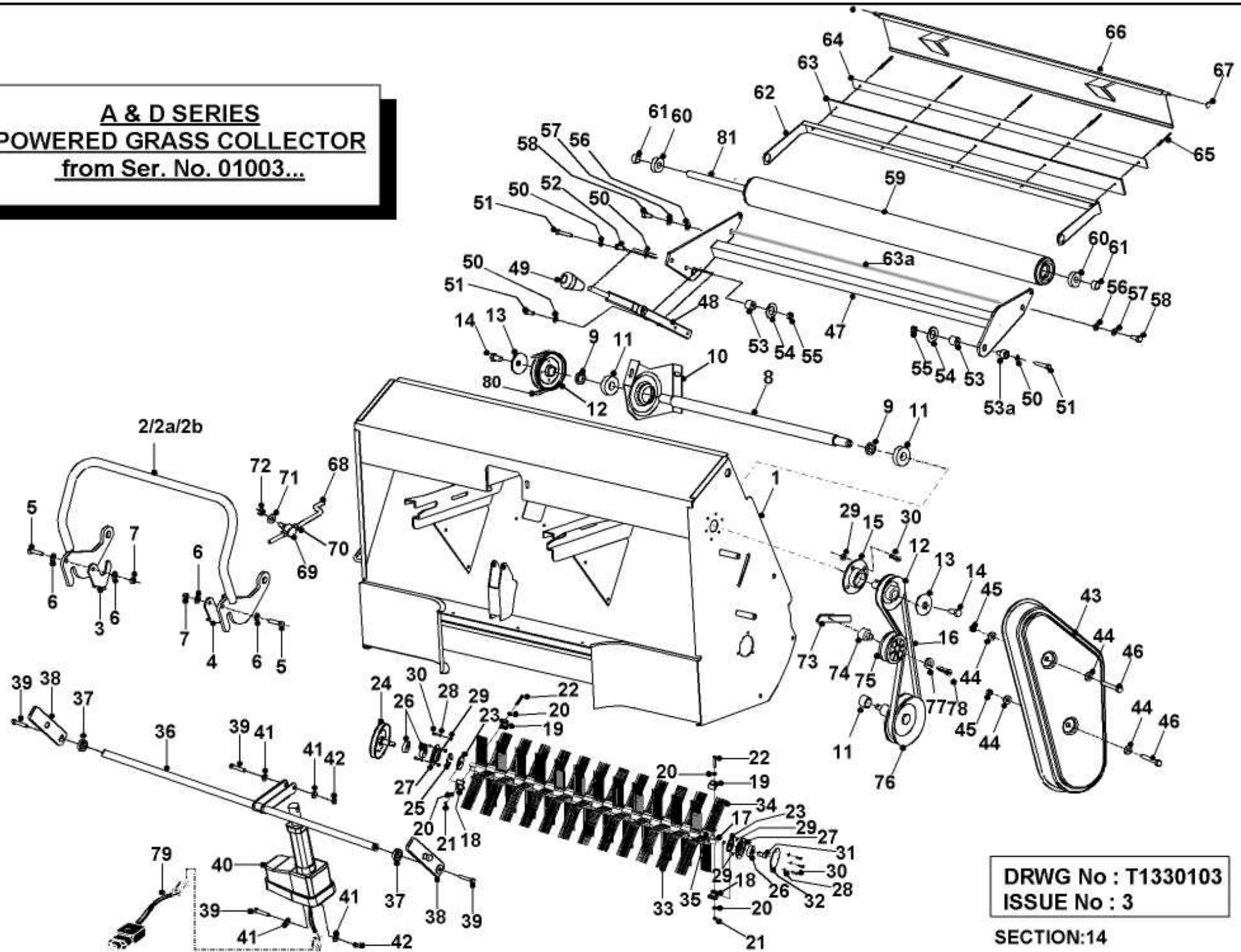
**A20/50 HAND CONTROL MODEL
RUNNING BOARD
& REAR BODY ASSEMBLIES
PARTS LIST**

76	Deck Lift Actuator Arm	301005501
77	Cutter Deck Actuator	448002800
78	Actuator Bracket Assembly	327015400
79	Bolt 5/16" x 2" UNF	01820900
80	Bolt 3/8" x 2.1/4" UNF	01821500
81	Nut 3/8" UNF	04855400
82	Spacer 5/16" x 3/4"	18302000
84	Washer 5/16"	08819700
85	Pedal Plate Assembly	321122200
86	Diff. Lock Control Rod	313010400
87	Nut 5/16" Nyloc	04827500
88	Hand Brake Knob	409427000
89	Park Brake Lever	327022100
90	Bolt M6 x 20mm	018000300
91	Nut M6	04920500
92	Park Brake Lever Support Plate	301119100
93	Bolt M8 x 30mm	018001200
94	Park Brake Lever Spacer	183018700
95	Nut M8	04850600
96	Bolt M8 x 50mm	018001800
97	Washer 25mm	028001800
98	Park Brake Upper Link Plate	301120100
99	Park Brake Lower Link Plate	301120200
100	Washer 3/8"	088001500
101	Net Empty Loom	448004300
102	Pedal Spacer	321123400
103	Bolt 1/4" x 3" UNF	028662400
104	Washer 5/8"	08822700
105	Bolt 1/4" x 2" UNF	01857700
106	Nut Nyloc 1/4"	04819400
107	Spacer	31322200
108	Dayco Belt A49	22923400
109	PTO Flap Hinge	302005200
110	Jockey Plate Pivot	31329000
111	Bridge Spacer	31326100
112	Park Brake Switch Bracket	307022200
113	Deck Lift Actuator Adjuster Body	187184800

**A20/50 HAND CONTROL MODEL
RUNNING BOARD
& REAR BODY ASSEMBLIES
PARTS LIST**

114	Nut M12	049381200
115	Deck Lift Actuator Screw	187184900

**A & D SERIES
POWERED GRASS COLLECTOR**
from Ser. No. 01003...



**DRWG No : T1330103
ISSUE No : 3**

SECTION:14

A20/50 & D18/50 POWERED GRASS COLLECTOR
PARTS LIST

	PART DESCRIPTION	PART NUMBER
1	Sweeper Body	327013500
	Sweeper Body (from serial no 0103...)	327172100
2	Locking Handle	32733100
	Locking Handle (from serial no 0103...)	178966300
2a	Sweeper Locking Plate (from serial no 0103...)	307024500
2b	Handle Grip (not illustrated)(from serial no 0103...)	149496600
3	Locking Lug L/H	30149800
4	Locking Lug R/H	30150300
5	Bolt 1/4" x 1" UNF	01844700
6	Washer 1/4" T3 LP	08827800
7	M6 Nyloc Nut	048001000
8	Idler Shaft	183009800
9	Spacer Plated	48306200
10	Carrier Bearing	301043800
11	Bearing 6203	10811600
12	3" Pulley Assembly	32727600
13	Dome Washer	08819900
14	Bolt 3/8" x 3/4" Lg	02874500
15	Bearing Housing 17mm	27106600
16	Belt - PTO Brush Drive (A38 Super 2)	22950300
17	Sweeper Brush Stock	174004401
18	Brush Drive Moulding (Bottom)	14832900
19	Brush Drive Moulding (Top)	14834100
20	Washer 1/4" T3 LP	08827800
21	Nyloc Nut M6	048001000
22	Bolt M6 x 45mm	028662800
23	Sweeper Slinger	321321800
24	5" Brush Stock Pulley	327002600
25	Circlip 17mm	07914800
26	Bearing 6203	10811600
27	Bearing Housing 17mm	27106600
28	Washer M5	08911500
29	Nyloc Nut M5	04885900
30	Pan Head Screw M5 x 16mm	02940500
31	Brush Stock Spindle Short	30117500
32	Sweeper Bearing Cap	30117500
33	Sweeper Bristle (Standard)	14898100
34	Sweeper Bristle (Webbed)	14936300
35	Bristle Boss	14833000
36	Cross Shaft Assembly	327010500
37	Cross Shaft Spacer	183010100

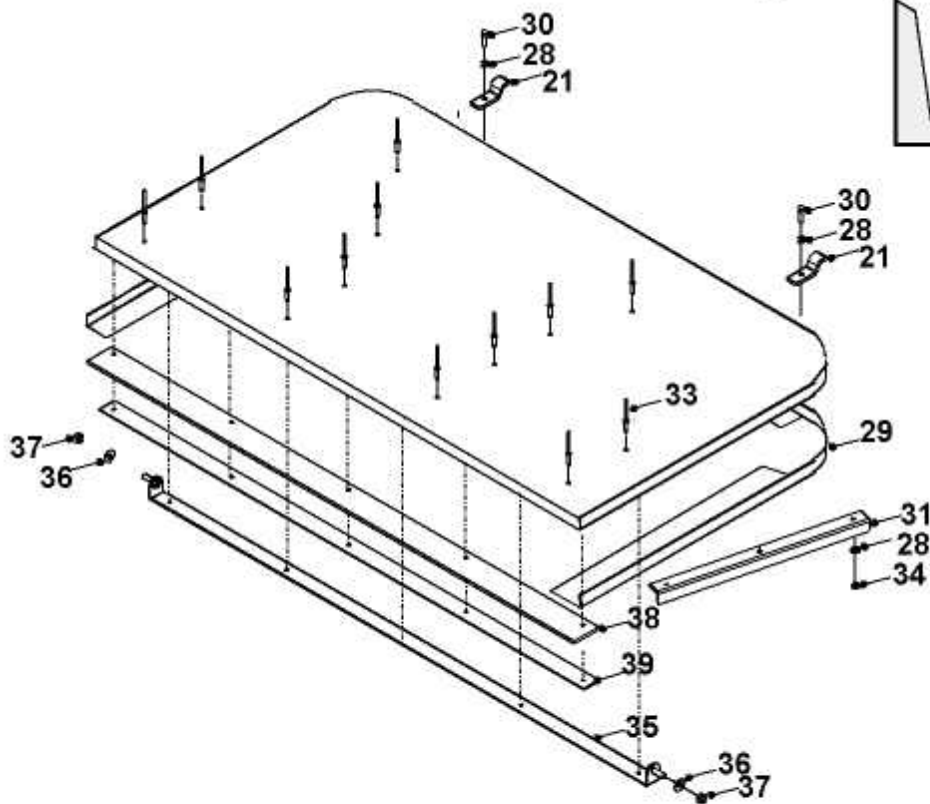
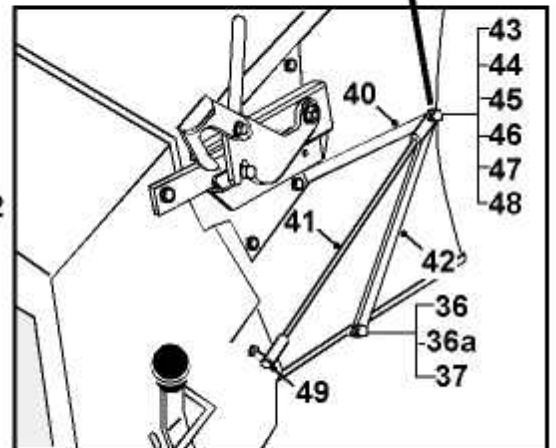
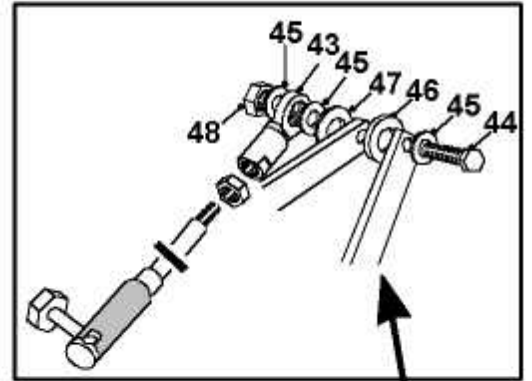
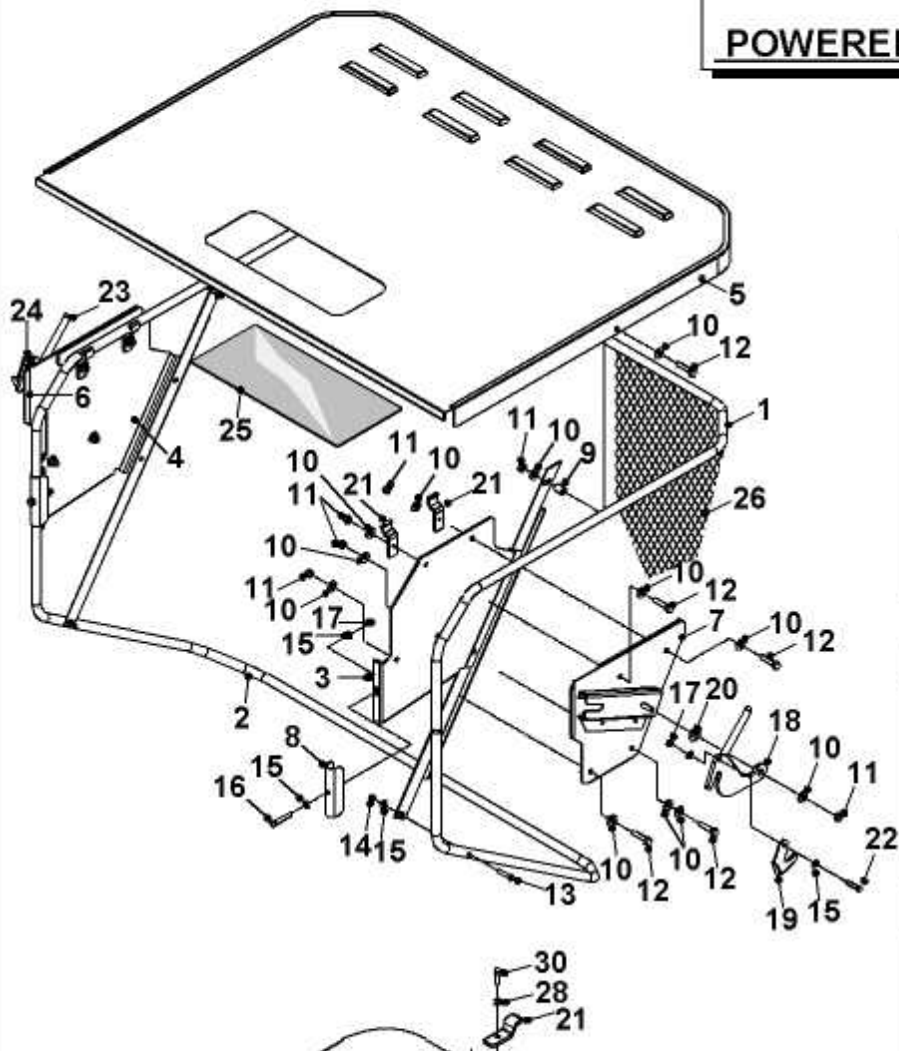
A20/50 & D18/50 POWERED GRASS COLLECTOR
PARTS LIST

38	Lift Arm Assembly	327010800
39	Bolt 5/16" UNF x 1.75" Lg	01820800
40	Actuator Collector Net	448002800
41	Washer 5/16"	08819700
42	Nyloc Nut 5/16" UNF	04827500
43	Belt Guard	14848600
44	Washer 5/16"	08819700
45	Nyloc Nut 5/16" UNF	04827500
46	Bolt 5/16" UNF x 2.1/2" Lg	01821100
47	Roller Housing Assembly	327010700
	Roller Housing Assembly (from serial no 0103...)	327172000
48	Sweeper Height Lifter	32713800
	Sweeper Height Lifter (from serial no 0103...)	327171800
49	Lever Knob	14804800
50	Washer 5/16"	08819700
51	Bolt M8 x 20 Lg	02825900
52	Bolt 5/16" UNF x 1.3/4" Lg	01820800
53	Roller Plate Bush	31329200
53a	Pivot Boss	31306100
54	Scraper Bar Washer	089418100
55	Nyloc Nut 5/16" UNF	04827500
56	Washer 3/8"	08820100
57	Shakeproof Washer	08826700
58	Bolt 3/8" UNF x 3/4" Lg	01874500
59	Roller Tube Assembly	327010600
60	Bearing 6203	10811600
61	Tubular Spacer	31350701
62	Roller Scraper Bar	301044700
63	Roller Scraper Rubber	148004300
63a	Roller Scraper Cable	528004301
64	Roller Scraper Plate	301044800
	Roller Scraper Plate (from serial no 0103...)	327172200
65	Pop Rivets	12847900
66	Scraper Flap Plate	327013600
	Scraper Flap Plate (from serial no 0103...)	327012100
67	D - Clip	14885000
68	Belt Tension Rod	313003500
69	Belt Tension Trunnion	183003800
70	Nut M8	04822300
71	Washer 5/16"	08819700
72	Nyloc Nut M8	04850600
73	Belt Tension Plate	30121900
74	Sweeper Jockey Spacer	31350400

A20/50 & D18/50 POWERED GRASS COLLECTOR
PARTS LIST

75	Jockey Pulley	20811500
76	5" Pulley Assembly	327002600
77	Sweeper Jockey Cap Boss	31351100
78	Bolt 5/16" UNF x 2"	01820900
79	Net Emptying Actuator Loom	448004800
80	P.T.O. Belt A49 Dayco Super 2	228001200
81	Roller Shaft	183010000

**A & D SERIES
POWERED GRASS COLLECTOR NET**



DRWG No: T1320005
ISSUE No: 5

SECTION:15

A ,D & K SERIES POWERED GRASS COLLECTOR NET

	PART DESCRIPTION	PART NUMBER
1	Upper Bag Frame	174004600
2	Lower Bag Frame	178966600
3	Goal Post Assembly L/H	301133600
4	Goal Post Assembly R/H	301133700
5	Collector Lid Assembly	327011700
6	Bag Ear Assembly R/H	327178100
7	Bag Ear Assembly L/H	327178000
8	Bag Frame Clamp	30149600
9	Spacer	183003300
10	Washer 5/16"	08819700
11	Nyloc Nut 5/16" UNF	04827500
12	Bolt 5/16" UNF x 1.1/4"	01820600
13	Allen Screw M6 x 30mm	028000100
14	Nyloc Nut M6	04920500
15	Washer 1/4"	08827800
16	Bolt 1/4" UNF x 1.1/2"	01820500
17	Nyloc Nut 1/4" UNF	04819400
18	Hand Lock Lever L/H	27707701
19	Locking Lug L/H	30149800
20	Nylon Washer 1" x 1/2" x 1.6g	08850500
21	Frame Tube Clamp	301008400
22	Bolt 1/4" UNF x 1"	01844700
23	Lock Lever R/H	27707801
24	Locking Log R/H	30150300
25	Window	14871500
26	Collector Net	388000200
27	Galvanised Floor	301045200
28	Washer 1/4"	08827800
29	Floor	307025400
29a	Floor Trim	307025100
29b	Steel Rivet 4.8 x 6	12949401
30	Bolt M6 x 20mm	018000300
31	Floor Support Angle	301046500
32	Nyloc Nut M6	04920500
33	Pop Rivet	12847900
34	Washer (T2 Flat)	08845800
35	Floor Support Assembly	327011100
36	Washer 5/16"	08819700
36a	Spacer 5/16"	18302700
37	Nyloc Nut M8	04850600
38	Floor Rubber	148004400
39	Rubber Fixing Strip	301045400
40	Link Arm Upper	301122800
41	Link Arm Support	183010402

A & D SERIES POWERED GRASS COLLECTOR NET

42	Link Arm Lower	301123000
43	Rod End 10mm	10872600
44	Bolt 3/8" x 1.3/4"	01857500
45	Washer 3/8" T3	08820100
46	Nylon Washer	08850500
47	Washer 3/8" x 7/8"	08822800
48	Nyloc Nut 3/8"	04820200
49	Ball End Shaft 10mm	183010200