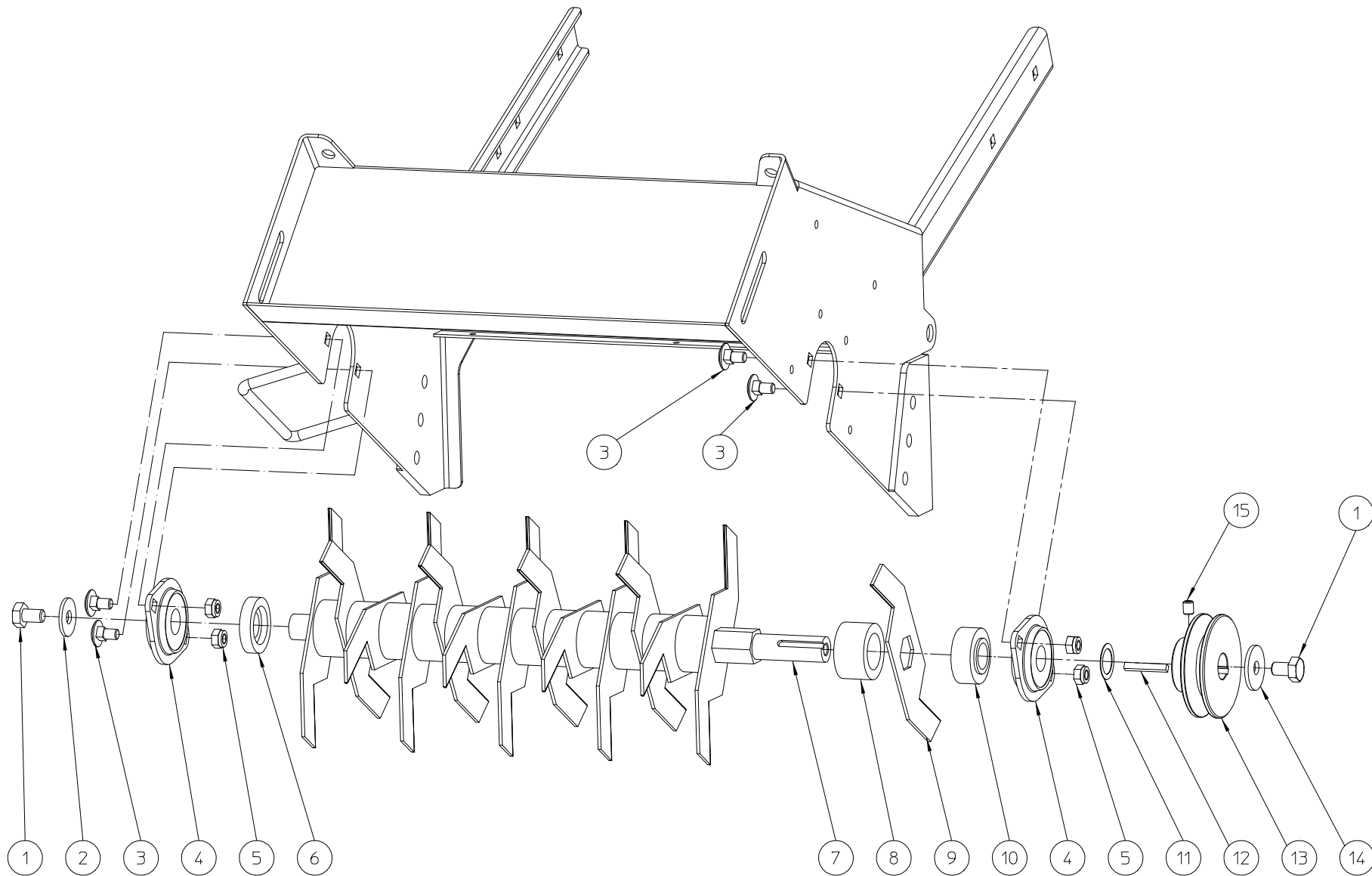


E 401 ELEC -- GENERAL					
NO	MMA 01 080 300	REV	1	DATE	2016/02/08

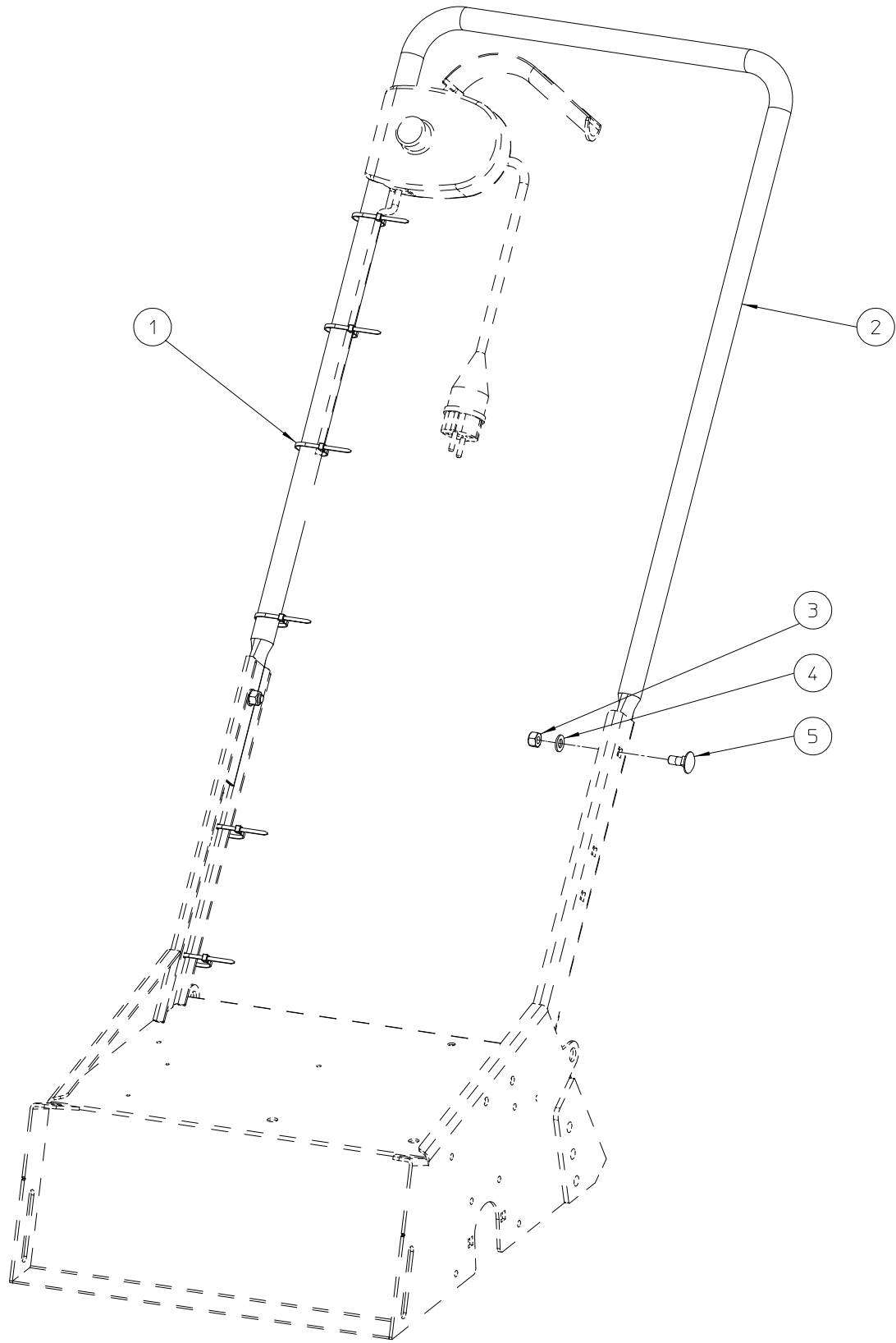
#	Order nr	article description	quantity
1	MMA 01 080 311	transmission & electric motor & rubber wheel	1
2	MMA 01 080 111	rotor fixed knives elec	1
3	MMA 01 080 320	fixed handlebar electrical	1
4	MMA 01 080 330	folding handlebar electrical	1
5	MMA 01 080 403	stickers electrical	1
6	MA 007 001 004	modificationkit rotor electric 2015	1



E401 ELEC -- ROTOR FIXED KNIVES

NO	MMA 01 080 111	REV	1	DATE	2016/01/26
----	----------------	-----	---	------	------------

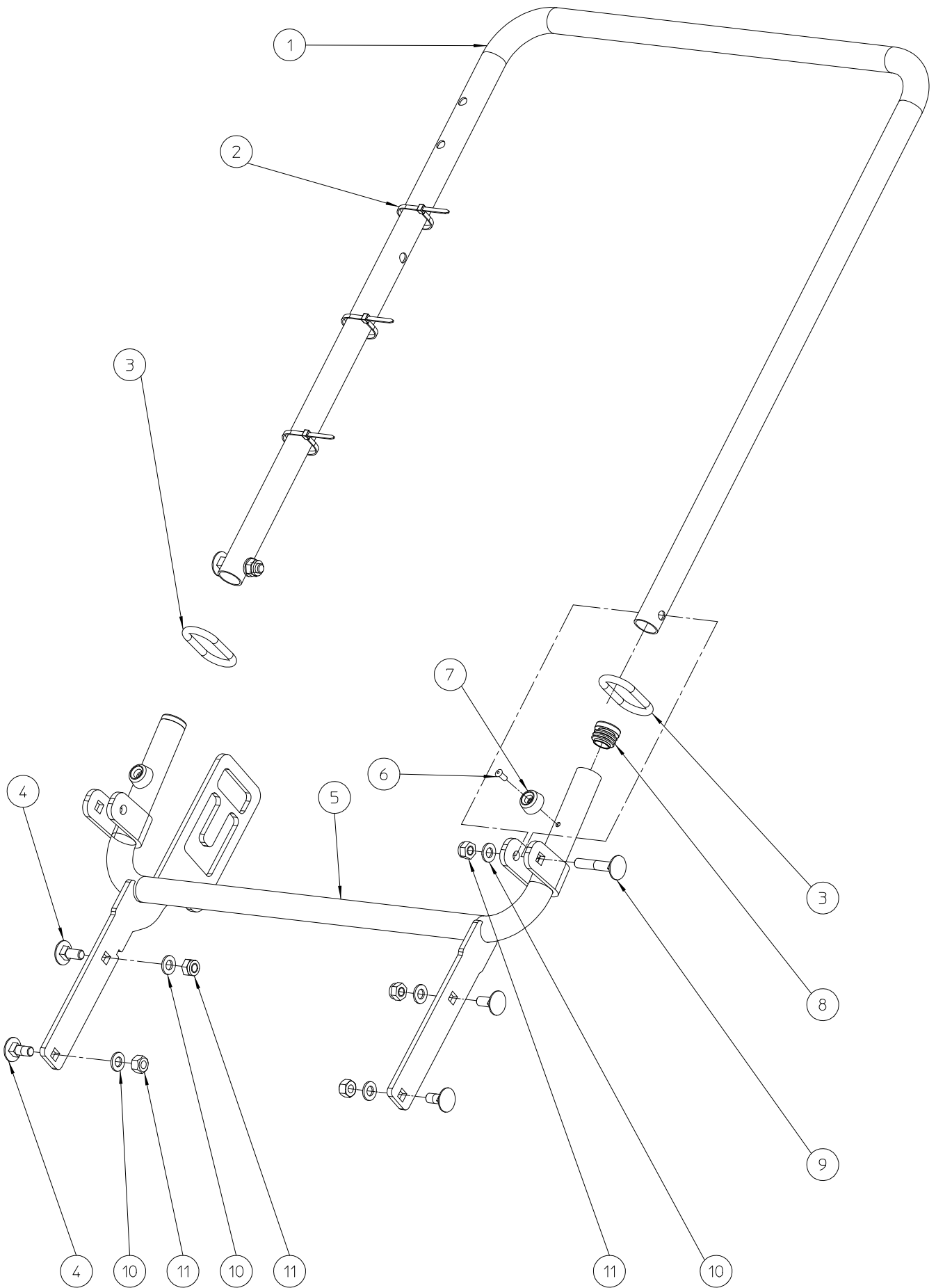
#	Order nr	article description	quantity
1	BS 512 001 016	bolt m10x16 din 933	2
2	BS 532 010 305	washer m10x30x2.5	1
3	BS 554 100 816	bolt m8x16 din 603	4
4	BL 801 102 000	bearing + flanges cspfl 204	2
5	BS 502 000 800	self locking nut m8 din 985	4
6	MPA 01 080 510	spacer ring 20x45x10mm	1
7	MPA 01 080 500	blade shaft	1
8	BR 111 292 510	nylon bushing (28.5/44x25)	13
9	BU 102 100 100	blade 2,5 mm - e400	14
10	MPA 01 080 920		1
11	BS 036 002 005	fitting ring 20x28x0.5mm din 988	1
12	BA 565 707 503	pulley spa 75x20x5 (rotor)	1
13	BS 023 000 810	set screw m8x10 din 916	2
14	BB 341 050 535	key 5x5x35 din 6880	1
15	BS 532 010 356	washer m10x35x3	1



E401 ELECTRIC -- HANDLEBAR

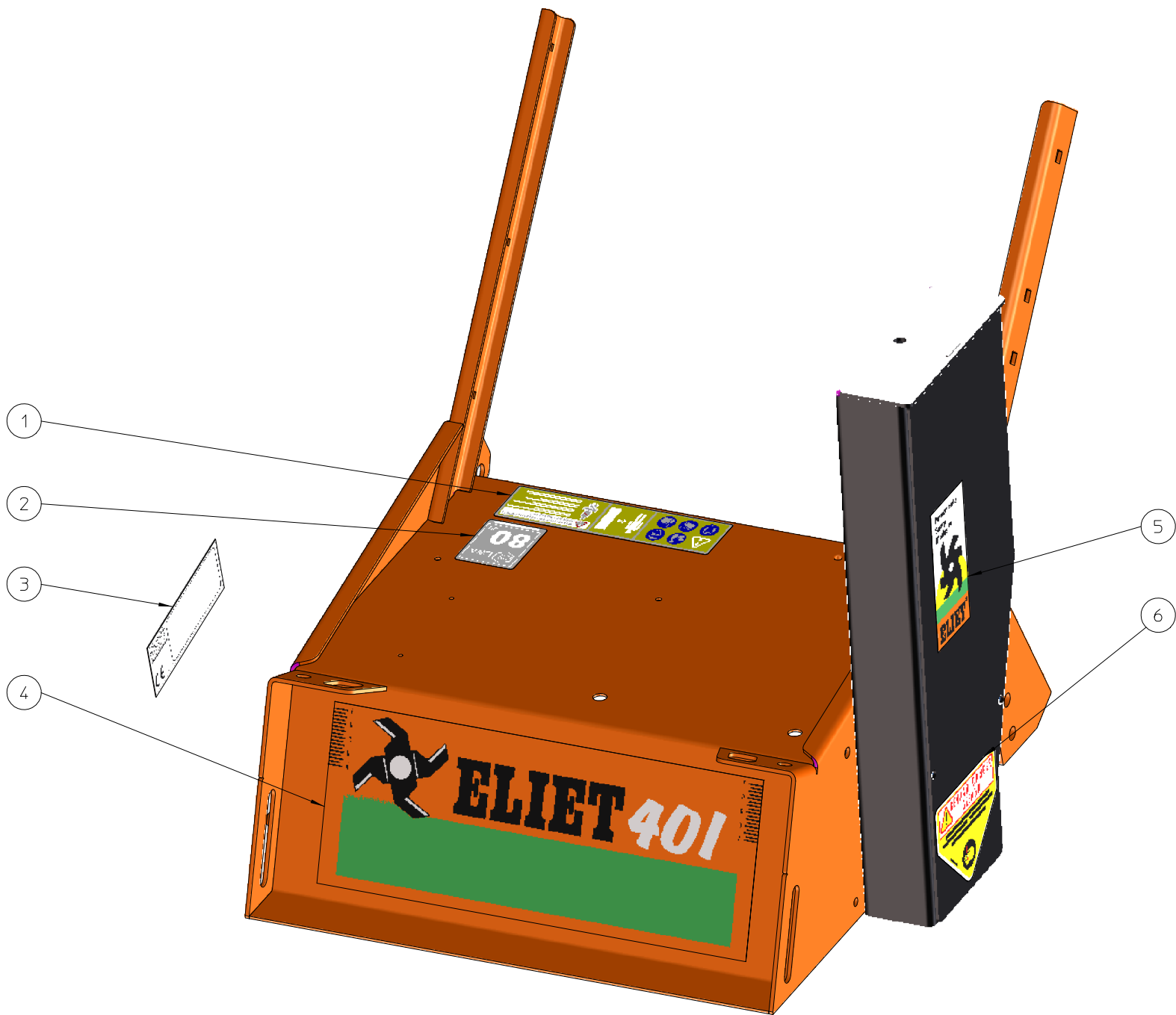
NO	MMA 01 080 320	REV	1	DATE	2016/02/17
----	----------------	-----	---	------	------------

#	Order nr	article description	quantity
1	BE 043 010 140	wrap tie 140x3.5	6
2	MPA 01 080 125	handlebars (electric engine)	1
3	BS 502 000 800	self locking nut m8 din 985	2
4	BS 531 000 800	washer m8 din 125	2
5	BS 554 100 820	bolt m8x20 din 603	2



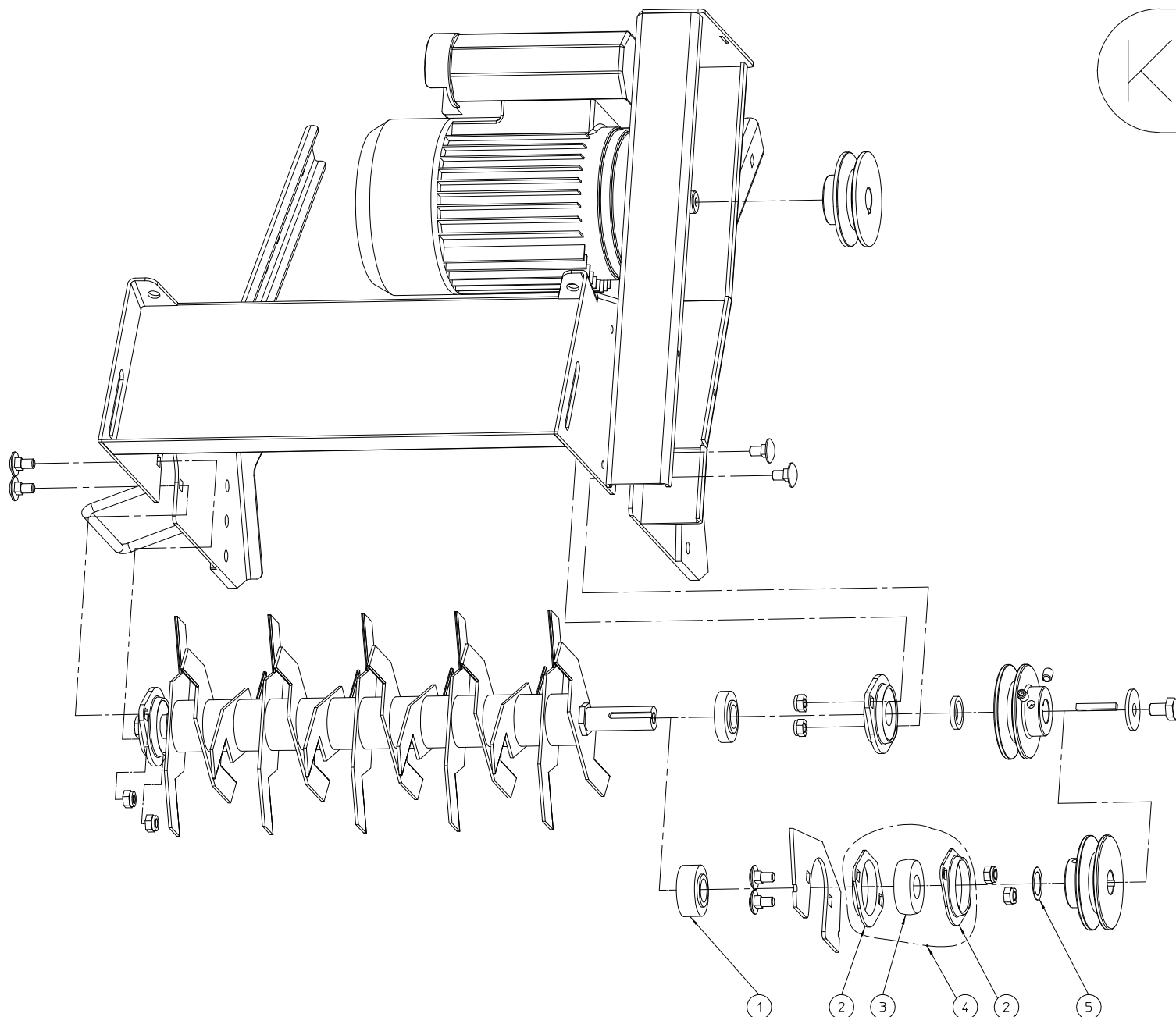
NO	MMA 01 080 330	REV	1	DATE	2016/01/28
----	----------------	-----	---	------	------------

#	Order nr	article description	quantity
1	MPA 01 080 700	folding handlebars	1
2	BE 043 010 140	wrap tie 140x3.5	6
3	MPA 01 090 320	ring of locking	2
4	BS 554 100 820	bolt m8x20 din 603	4
5	MPA 01 080 610	support folding handlebars	1
6	BB 221 004 100	pop plug steel 3.9x10	2
7	BR 625 020 100	rubber foot	2
8	BR 020 501 220	tube cap Ø 22mm	2
9	BS 554 100 841	bolt m8x45 din 603	2
10	BS 531 000 800	washer m8 din 125	6
11	BS 502 000 800	self locking nut m8 din 985	6



ELIET E401 – STICKERS ELECTRICAL					
NO	MMA 01 080 403	REV	1	DATE	2023/05/25

#	Order nr	article description	quantity
1	BQ 505 010 171	safety sticker 70x115 (pictogram)	1
2	BQ 505 112 080	sticker sound level 80 db	1
3	BQ 505 010 010	identity sticker ce 120x30	1
4	BQ 501 080 010	sticker eliet e401 330x130	1
5	BQ 501 010 100	sticker permanent sharp blades	1
6	BQ 505 010 070	safety sticker 100x80 (hand cuts)	1



KIT  
6

OLD VERSION

VERSION 2015

E 401 -- KIT ROTOR ELECTRIC 2015						
NO	MA 007 001 004	REV	1	DATE	2015/05/20	

#	Order nr	article description	quantity
1	MPA 01 080 870	spacer ring e401 2015	1
2	BL 711 502 002		0
3	BL 502 004 703	bearing ntn cs 204	0
4	BL 801 102 004	bearing + flanges cspfl 204	1
5	BS 036 002 005	fitting ring 20x28x0.5mm din 988	1