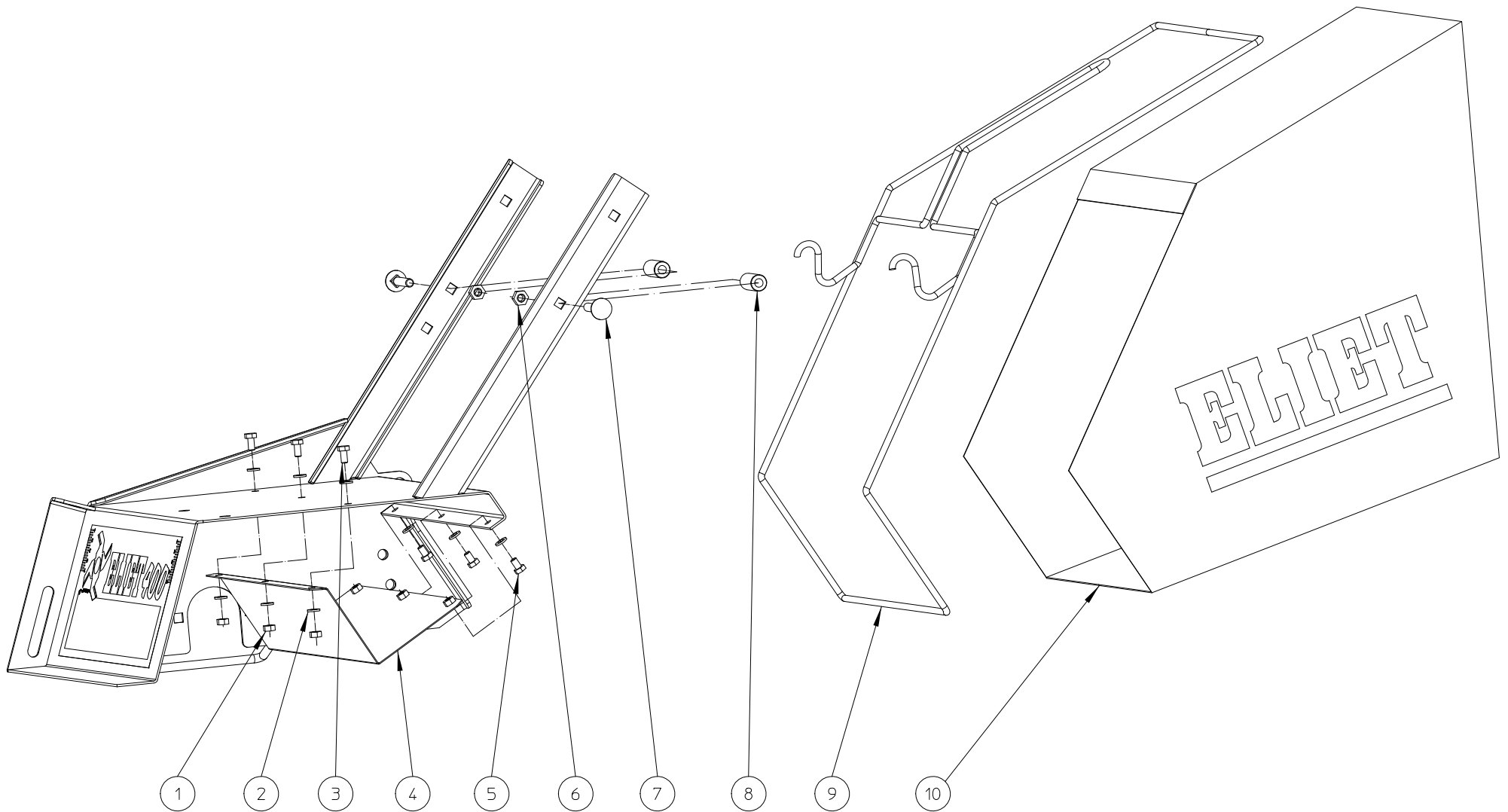


ELIET E401 -- ELECTRIC					
NO	MMA 01 080 150	REV	2	DATE	2010/03/24

#	Order nr	article description	quantity
1	BS 502 000 800	self locking nut m8 din 985	4
2	BS 531 000 800	washer m8 din 125	11
3	MPA 01 080 160	engine plate (electric engine)	1
4	BR 112 081 300	nylon bushing with collar (8/11/16x13/2)	2
5	BS 551 101 042	eye bolt m10x50 din 444	2
6	BS 501 001 000	nut m10 din 934	2
7	BB 011 000 080	starlock 8mm	2
8	BS 512 000 830	bolt m8x30 din 933	4
9	MPA 01 080 210	belt catcher (pulley electric engine)	1
10	BS 512 000 610	bolt m6x10 din 933	2
11	BB 351 060 630	key 6x6x30 din 6885a	1
12	BM 101 003 002	electric engine 220v 2200w	1
13	BS 023 000 810	set screw m8x10 din 916	2
14	BA 565 707 501	pulley spa 75x19x6 (electric engine)	1
15	BS 554 100 825	bolt m8x25 din 603	1
16	BS 554 100 842	bolt m8x50 din 603	2
17	MPA 01 080 240	wrench 17	1
18	BN 630 808 400	lob knob 188-40 m8	3
19	BB 011 000 060	starlock 6mm	2
20	BE 043 010 140	wrap tie 140x3.5	5
21	BE 043 010 100	wrap tie 100x2.5	1
22	BE 122 201 001	switch + 1200mm cable	1
23	BR 420 000 200	cable hanger	1
24	BS 566 504 250	screw m4x25 din 7981	2
25	BR 600 425 170	antivibration blocks 25x17b m6x18	1
26	BS 531 000 600	washer m6 din 125	11
27	BS 502 000 600	self locking nut m6 din 985	9
28	MPA 01 080 120	handlebars (electric engine)	1
29	MPA 01 080 140	clutch handle (electric engine)	1
30	BS 512 000 616	bolt m6x16 din 933	8
31	BK 152 250 730	cable 2.5x730mm	1
32	MMA 01 080 140	collecting bag kit	1
33	MPA 01 080 260	rod 9mm deflector	1
34	BR 112 100 600	nylon bushing with collar (10/13.5/25x6/2.5)	2
35	BB 011 000 090	starlock 9mm	2
36	BR 900 000 500	protection cover	1
37	BS 502 001 000	self locking nut m10 din 985	6
38	BS 531 001 000	washer m10 din 125	2
39	MPA 01 080 230	wheel shaft	4
40	BS 511 001 049	bolt m10x90 din 931	2
41	BS 532 010 406	washer m10x40x3	6
42	BW 120 020 000	wheel 200/50	4
43	MPA 01 080 190	belt catcher (pulley rotor)	1
44	BQ 505 010 070	safety sticker 100x80 (hand cuts)	1
45	MPA 01 080 180	transmission guard (electric engine)	1
46	BA 521 207 490	belt xpa	1
47	BS 511 001 048	bolt m10x80 din 931	2
48	MMA 01 080 110	rotor fixed knives	1
49	BS 532 010 356	washer m10x35x3	2
50	BQ 505 010 050	safety sticker 60x100 (pictogram)	1
51	BQ 505 010 150	safety sticker 60x100 (distance)	1
52	BQ 505 010 010	identity sticker ce 120x30	0

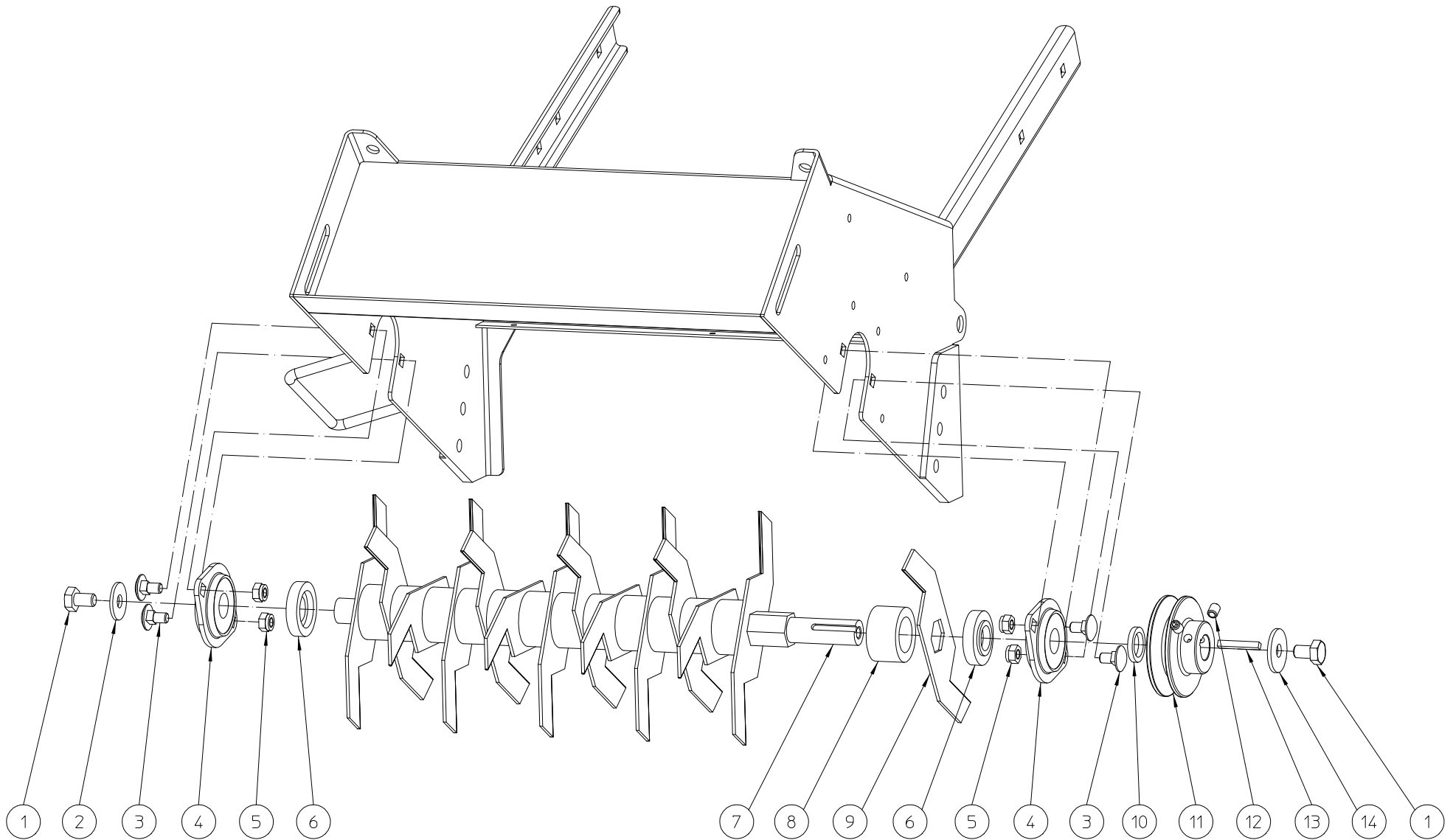
53	BQ 501 080 010	sticker eliet e401 330x130	1
54	MPA 01 080 100	chassis	1
55	MPA 01 080 220	front wheel holder	2
56	BR 111 102 010	nylon bushing (10/20x20)	2
57	BN 630 210 500	lob knob 189-50 m10x120	2
58	BZ 201 080 010	manual e401	1



ELIET E401 -- KIT COLLECTING BAG

NO	MMA 01 080 140	REV	1	DATE	2006/07/06
----	----------------	-----	---	------	------------

#	Order nr	article description	quantity
1	BS 501 000 600	nut m6 din 934	3
2	BS 531 000 600	washer m6 din 125	9
3	BS 512 000 612	bolt m6x12 din 933	3
4	MPA 01 080 250	guide plate	1
5	BS 512 000 610	bolt m6x10 din 933	3
6	BS 501 000 800	nut m8 din 934	2
7	BS 554 100 842	bolt m8x50 din 603	2
8	MPA 01 080 280	bushing 16x8x40	2
9	MPA 01 080 270	frame for collecting bag	1
10	BQ 348 080 010	collecting bag	1



ELIET E401 -- ROTOR SHAFT FIXED KNIVES

NO	MMA 01 080 110	REV	1	DATE	2014/01/24
----	----------------	-----	---	------	------------

#	Order nr	article description	quantity
1	BS 512 001 016	bolt m10x16 din 933	2
2	BS 532 010 305	washer m10x30x2.5	1
3	BS 554 100 816	bolt m8x16 din 603	4
4	BL 801 102 000	bearing + flanges cspfl 204	2
5	BS 502 000 800	self locking nut m8 din 985	4
6	MPA 01 080 510	spacer ring 20x45x10mm	2
7	MPA 01 080 500	blade shaft	1
8	BR 111 292 510	nylon bushing (28.5/44x25)	13
9	BU 402 100 101	set of fixed knives (14 )	1
10	MPA 01 080 520	nylon bushing	1
11	BA 565 707 503	pulley spa 75x20x5 (rotor)	1
12	BS 023 000 810	set screw m8x10 din 916	2
13	BB 341 050 535	key 5x5x35 din 6880	1
14	BS 532 010 356	washer m10x35x3	1