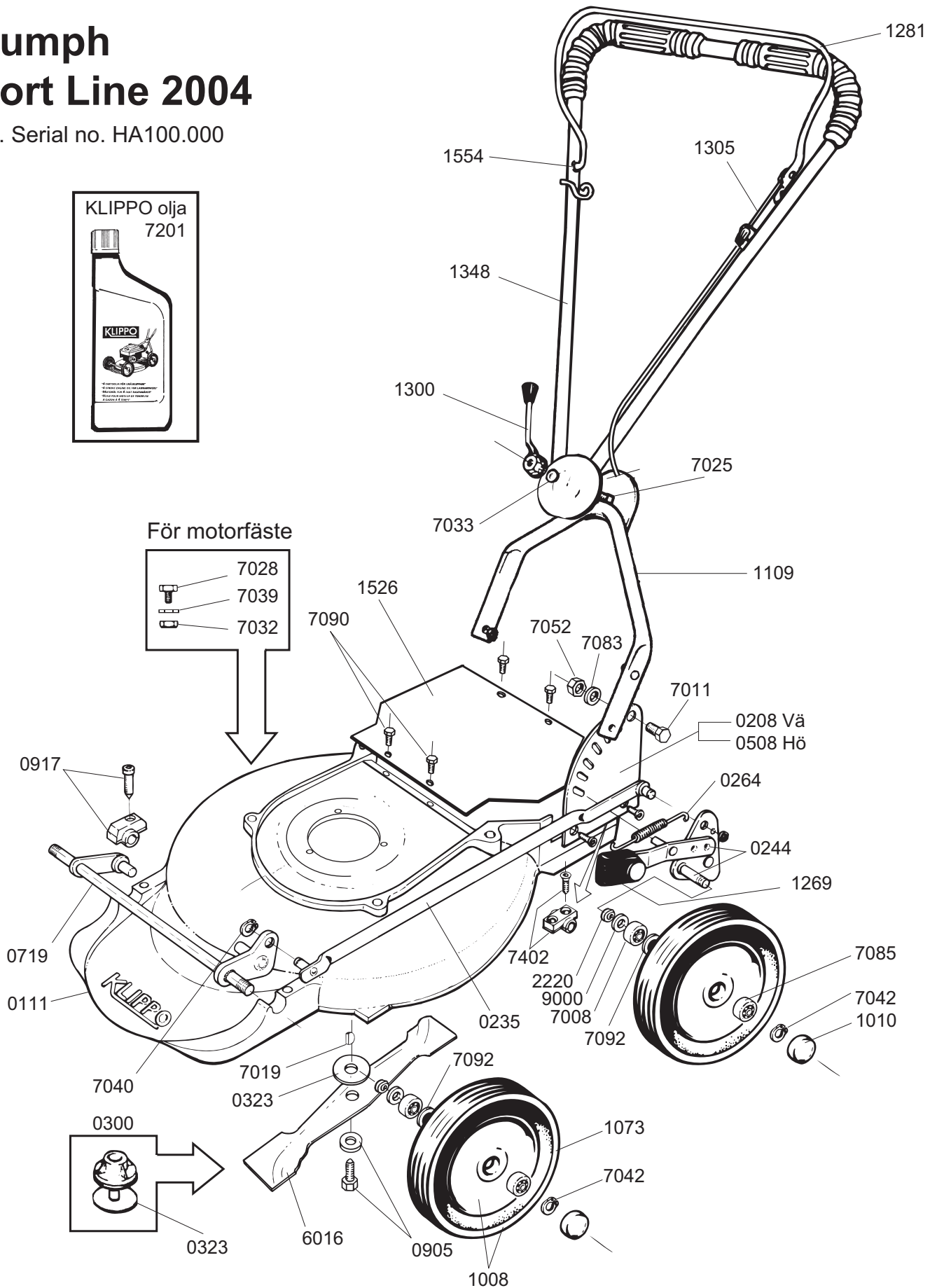




# Triumph Sport Line 2004

From. Serial no. HA100.000



Motor:  
B&S Quattro C40, 10A9022033B1