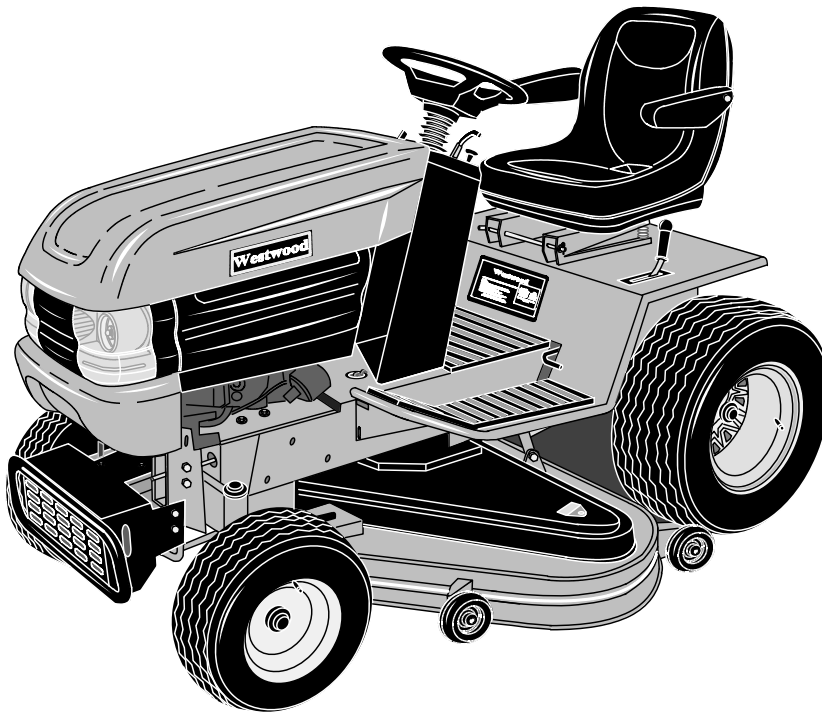


Westwood

WESTWOOD TRACTOR 2007



SERVICE DRAWINGS & PARTS LIST INDEX

Westwood Tractors

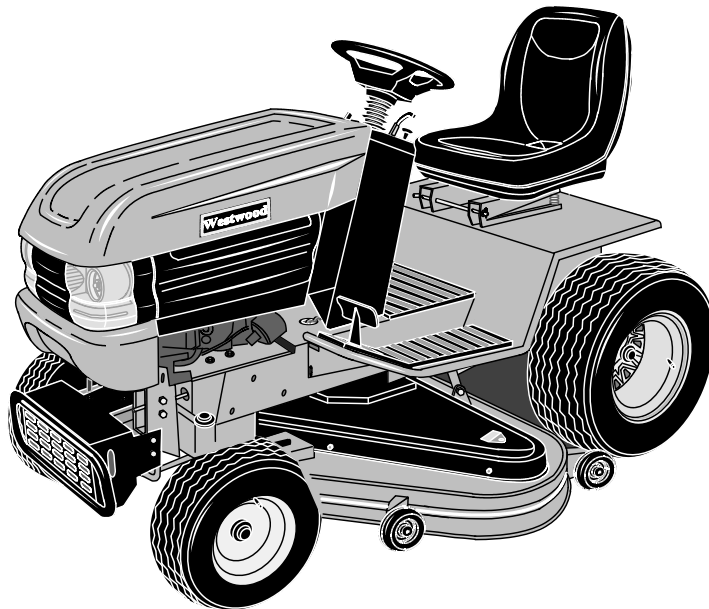
Admail 3376,
Plymouth,
Devon

PL7 5ZY
Tel: +44 (0) 800 0720127
Fax: +44 (0) 800 0720132

sales@westwoodtractors.com
www.westwoodtractors.com

COUNTAX

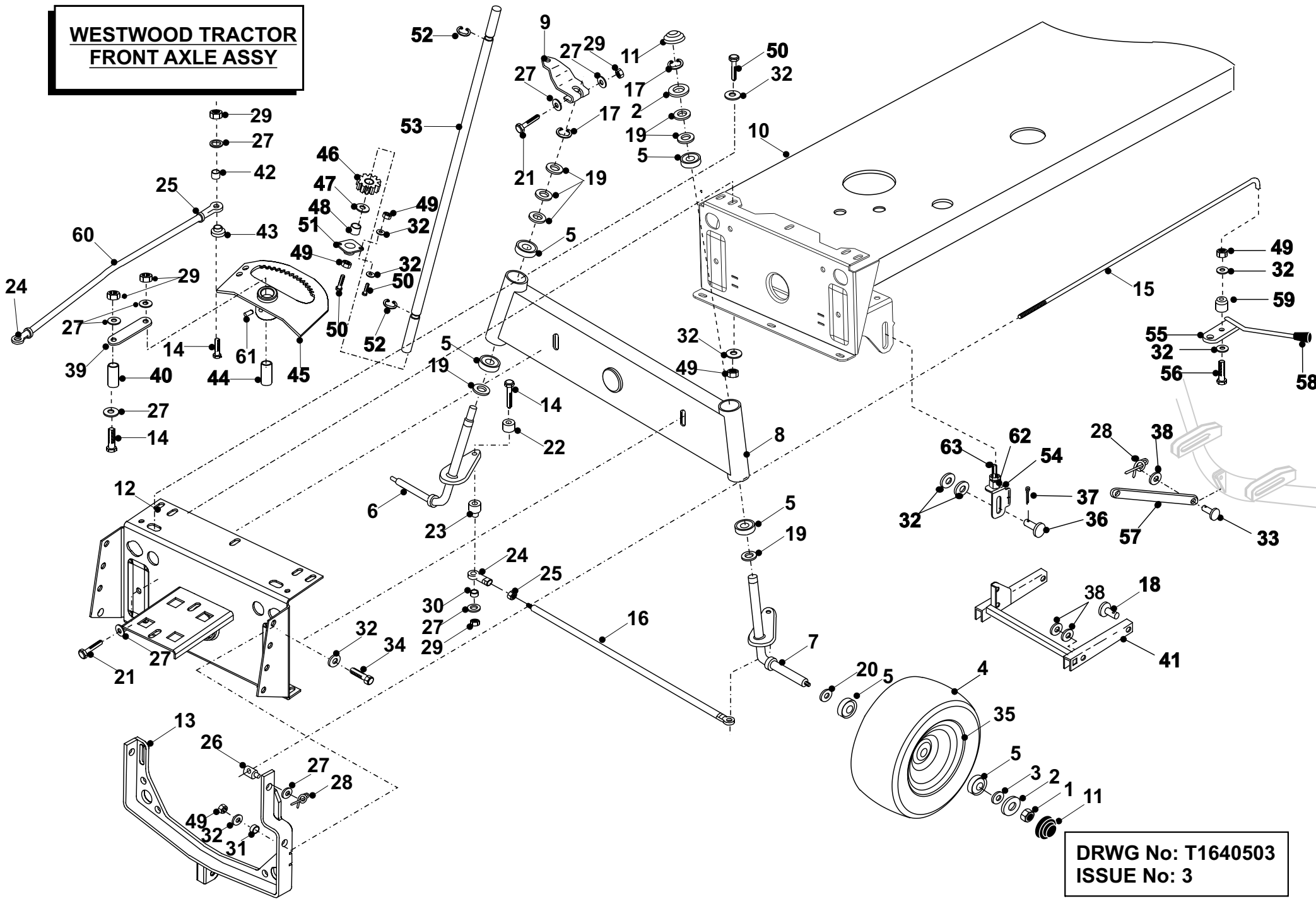
EXPLODED VIEW DRAWINGS & PARTS LISTS



WESTWOOD TRACTOR PARTS LIST INDEX 2007

1. FRONT AXLE ASSEMBLY
2. BONNET ASSEMBLY
3. BRIGGS & STRATTON ENGINE & EXHAUST ASSEMBLY
4. TRANSMISSION DRIVE ASSEMBLY
5. MULCH TRANSAXLE ASSEMBLY
6. HYDROSTATIC TRANSAXLE
- 7.A MAIN WIRING LOOM
- 7.B DIAL HEIGHT WIRING LOOM
8. STEERING CONSOL ASSEMBLY
9. HYDROSTATIC REAR BODY ASSEMBLY
- 10.A I.B.S. CUTTER DECK
- 10.B 38" MULCHING DECK
- 11.A DECALS 2002/03
- 11.B DECALS 2004/05
- 12.DECK CRADLE ASSEMBLY

**WESTWOOD TRACTOR
FRONT AXLE ASSY**



**DRWG No: T1640503
ISSUE No: 3**

SECTION 1

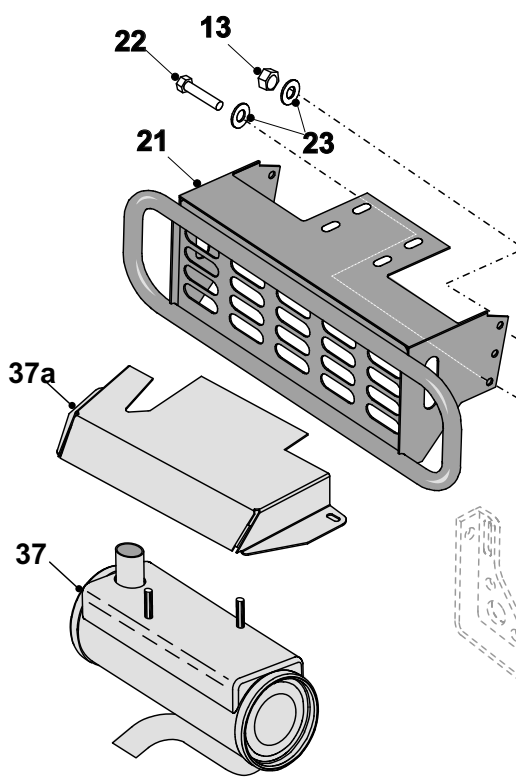
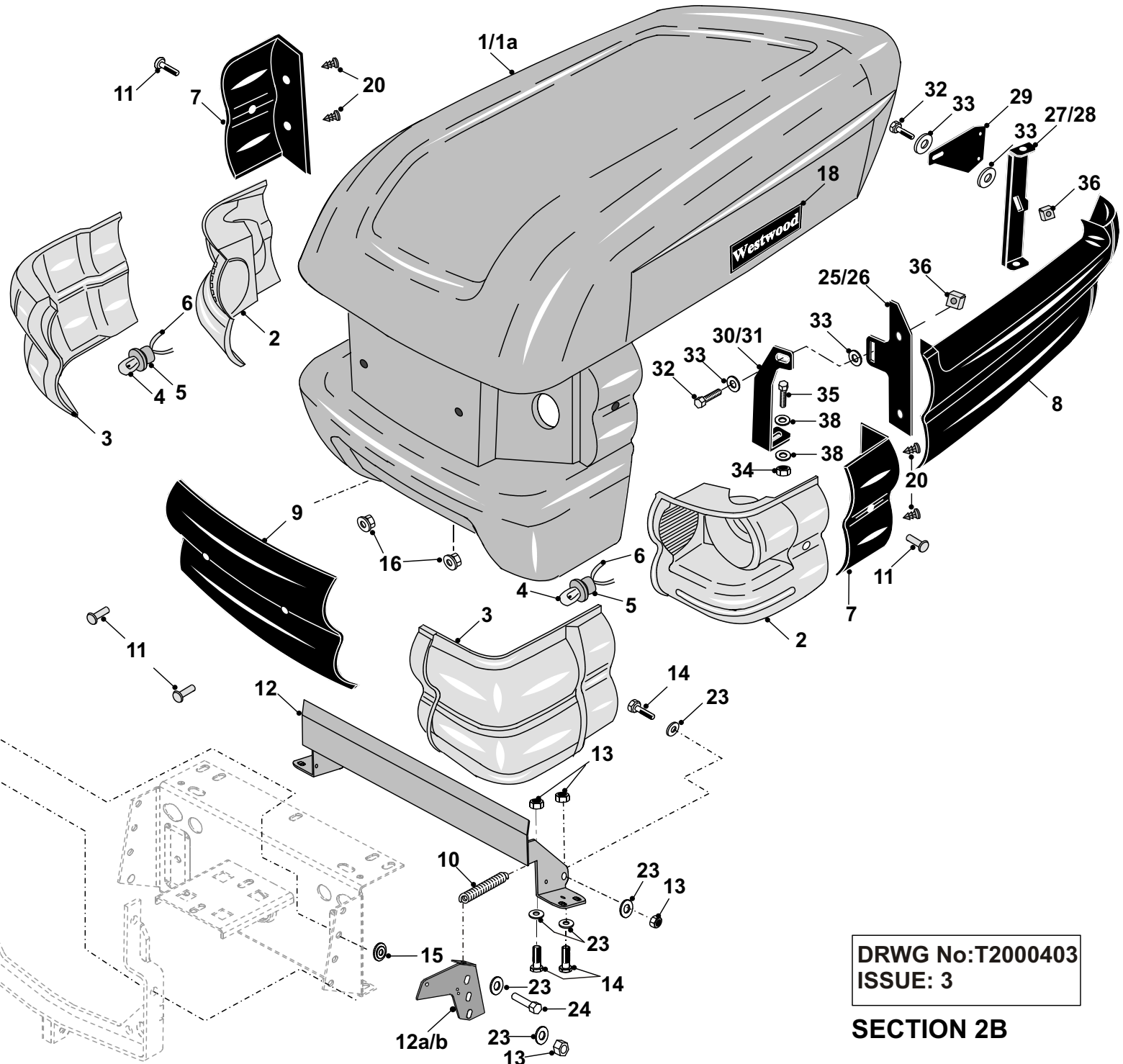
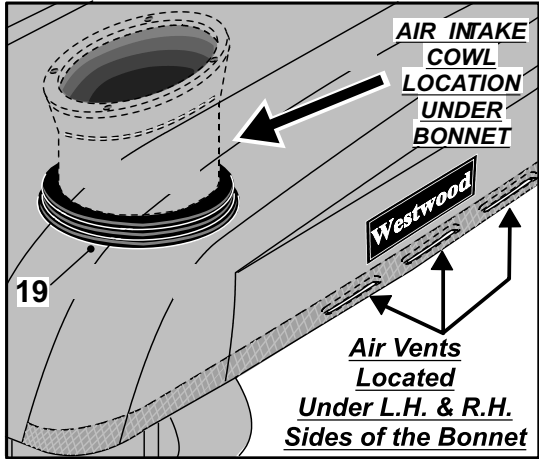
**WESTWOOD TRACTOR
FRONT AXLE PARTS LIST**

	PART DESCRIPTION	PART NUMBER
1	Nyloc Nut 12mm `T' Fine	04836100
2	Hub Cap Washer Front Wheel	30128100
3	Washer M12 x 24 x 1.6	088003600
4	Tractor Front Tyre 15 x 6	19802800
	Wheel Valve	14889200
5	Front Wheel Bearing	10802200
6	Stub Axle R/H	327015200
7	Stub Axle L/H	327015100
8	Axle Beam	327014700
9	Steering Arm	32702500
10	Chassis 2004	32702403
11	Hub Cap (Moulded)	14811800
12	Tractor Chassis Front	27115500
13	Deck Tension Cradle	328956900
14	Bolt M10 X 85mm	018001900
15	Deck Tension Rod	31805600
16	M10 Track Rod	31318300
17	19mm External Circlip	07921200
18	Deck Lift Pin (Front)	31336800
19	Galvanised Washer 32 x 19.5	30127900
20	Washer 19mm	08829900
21	M10 x 60mm Coachbolt	018005000
22	Rose Joint Boss	31302400
23	Rose Joint Shoulder Boss (Long)	31337100
24	10mm Rod End	10872600
25	M10 Locknut	04872100
26	Trunnion (Deck Cradle)	18805500
27	Washer 10.8 i.d x 20.7 o.d x 2mm Thk	088002400
28	Rue Clip	11836700
29	M10 Nyloc Nut	04886100
30	Track Rod End Spacer	183016900
31	Spacer	31302700
32	M8 Washer	08819500
33	Deck Push Rod Pin	31338200
34	Bolt M8 x 25mm	01902300
35	Front Wheel Rim	32701100
36	Deck Lift Pin	31339400
37	Split Pin 1/8" x 1"	07823300

WESTWOOD TRACTOR
FRONT AXLE PARTS LIST

	PART DESCRIPTION	PART NUMBER
38	M12 x 24 x 1.6mm Washer	088003600
39	Steering Link Plate	27102400
40	Steering Support Boss	31337500
41	Deck Carrying Cradle (Front)	32703701
42	Track Rod End Spacer	183016900
43	Rose Joint Shoulder Support Boss (Short)	31339600
44	Steering Rack Pivot	31337400
45	Steering Quadrant	327015800
46	Steering Gear	213112100
47	Washer 5/8" T3 LP	08822700
48	Steering Rod Spacer	18401500
49	M8 Nut Nyloc	04920100
50	Bolt M8 x 20mm	02825900
51	Column Lower Bearing	10801700
52	Circlip 5/8"	07823800
53	Steering Column	31328400
54	Front Deck Cradle Adjuster	327029200
55	Deck Tension Lever	32700600
56	Bolt M8 X 50mm	018001800
57	Deck Tension Bar 36" IBS	29203900
	Deck Tension Bar 38" IBS	29202400
	Dec Tension Bar 38" Mulcher / 42" IBS	29203700
58	Plastic Lever Cap	14946200
59	Pivot (Deck Overlock)	18833700
60	Steering Link Rod	313007800
61	Grease Nipple	11808600
62	Deck Level Adjuster Nut	189501800
63	M/Screw M10 x 60mm	018006600

**WESTWOOD
TRACTOR
BONNET ASSEMBLY**



DRWG No:T2000403
ISSUE: 3

SECTION 2B

**WESTWOOD TRACTOR
BONNET ASSEMBLY PARTS LIST**

	PART DESCRIPTION	PART NUMBER
1	Bonnet Assembly Complete (includes items 1a, 2, 3, 4, 5, 6, 7, 9, 11, 16, 18, 19 & 20) Models S1300 & S1400 Model S1600 Models T1600 & T1800	408020200 408020300 408020400
1a	Plastic Bonnet Main Body	148012100
2	L/H Westwood Headlamp	148011400
	R/H Westwood Headlamp	148011500
3	L/H Westwood Light Lens	148011200
	R/H Westwood Light Lens	148011300
4	12V Pole Bulb	44816200
5	Bulb Holder	44816100
6	Light Loom 3894	44813900
7	Westwood Bonnet L/H Fixing Panel	148011700
	Westwood Bonnet R/H Fixing Panel	148011800
8	Westwood Bonnet L/H Engine Side Panel	148011900
	Westwood Bonnet R/H Engine Side Panel	148012000
9	Westwood Bonnet Front Fixing Panel	148011600
10	Spring	25805200
11	Bolt Flanged Button Head M5 x 25mm	018003700
12	Bonnet Hinge Cross Plate Assembly	327181400
12a	L/H Tractor Universal Bonnet Stop	301135901
12b	R/H Tractor Universal Bonnet Stop	301135801
13	M8 Nyloc Nut	04920100
14	Bolt M8 x 25mm	01902300
15	M5 Jacknut	048001400
16	Bonnet Pivot Boss (Not Illustrated)	31306100
17	Decal Westwood Badge	358026100
18	New Style Beading	4832
19	Fir Tree Fixing	148012300
20	M8 Washer	08819500
21	Bolt M8 x 25mm	02826000

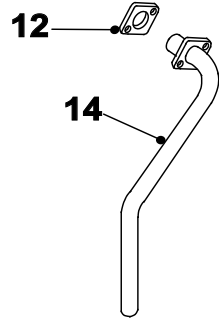
DEC 2007

SECTION 2B

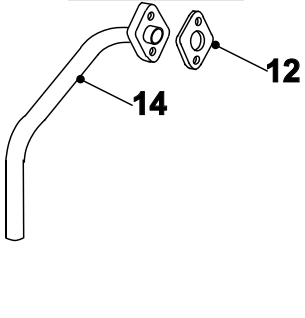
	PART DESCRIPTION	PART NUMBER
22	Engine Side Panels Forward Fixing Bracket L/H	307185600
23	Engine Side Panels Forward Fixing Bracket R/H	307185700
24	Engine Side Panels Rear Fixing Bracket L/H	307185800
25	Engine Side Panels Rear Fixing Bracket R/H	307185900
26	Consol Side Panel Mounting Plate	307186000
27	L/H Bracket (Front) – Side Panel	301135500
28	R/H Bracket (Rear) – Side Panel	301135600
29	Bolt M8 x 20mm	02825900
30	Washer M8 x 21 x 1.6mm	088003700
31	Nut Nyloc M6	04920500
32	M/Screw M6 x 16mm	028001000
33	Captive Nut M8	04852800
37	2003 R/H Exhaust Welded	328956300 use 327007301
38	M6 Washer	089422200

**WESTWOOD TRACTOR
BRIGGS & STRATTON
ENGINE & EXHAUST
ASSEMBLY**

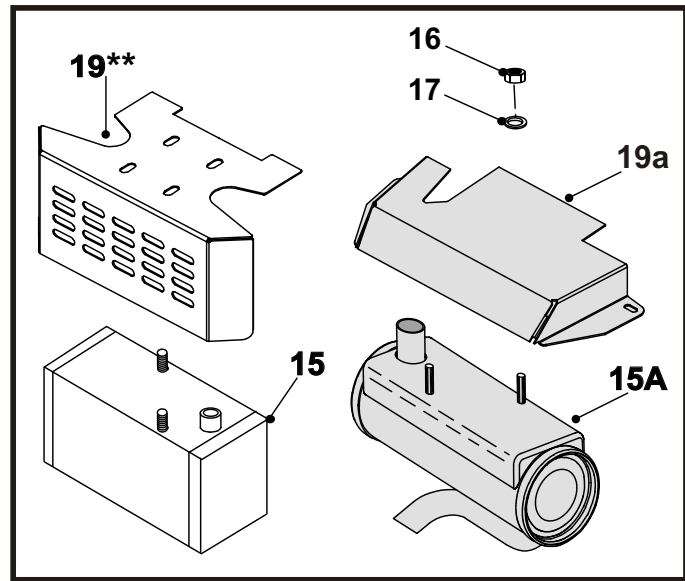
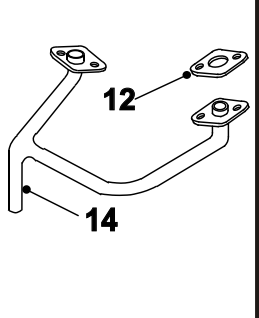
**S1400
SINGLE EXHAUST
ASSEMBLY**



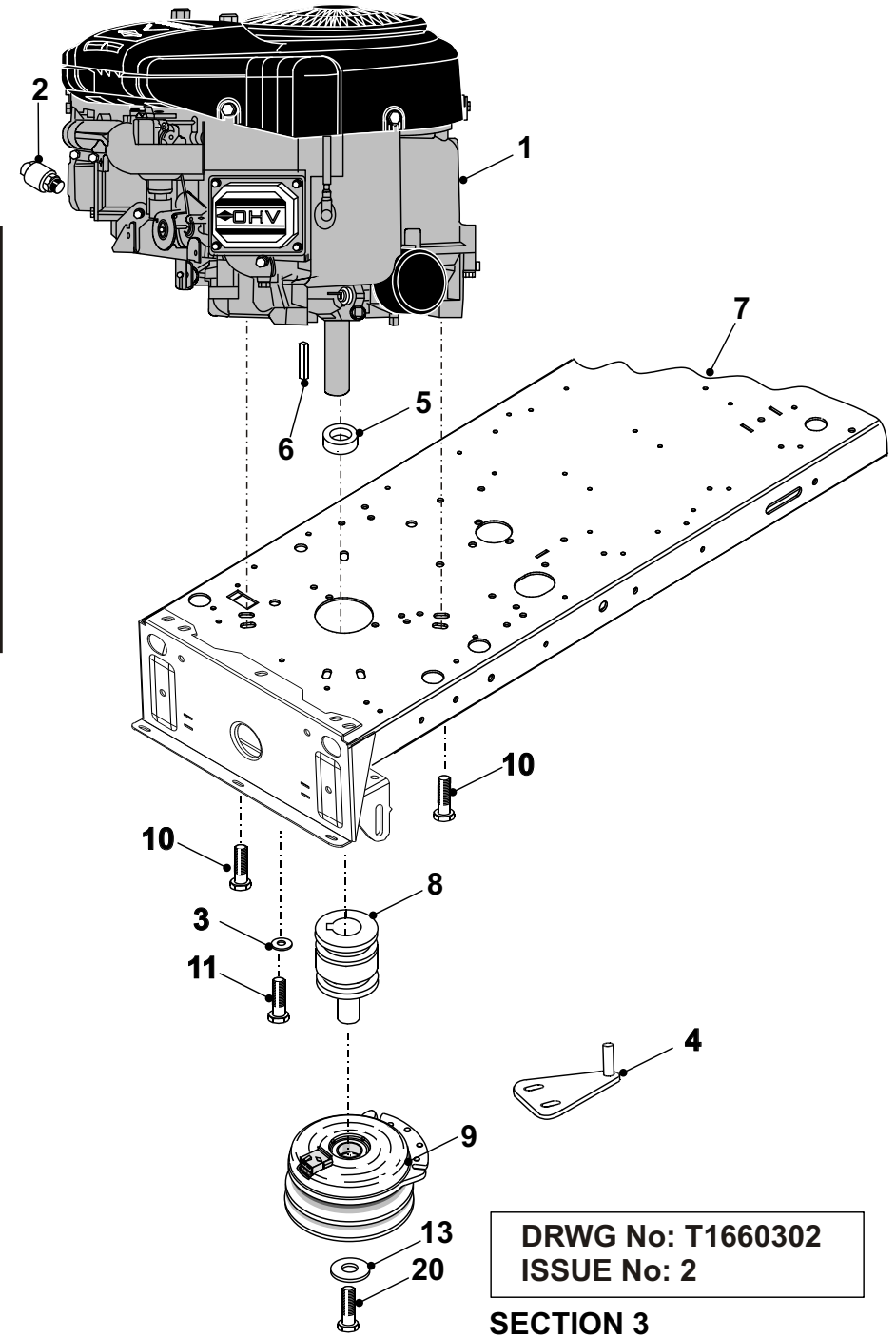
**S1600
SINGLE EXHAUST
ASSEMBLY**



**TWIN EXHAUST
ASSEMBLY**



****No Longer Used
from May 2002**



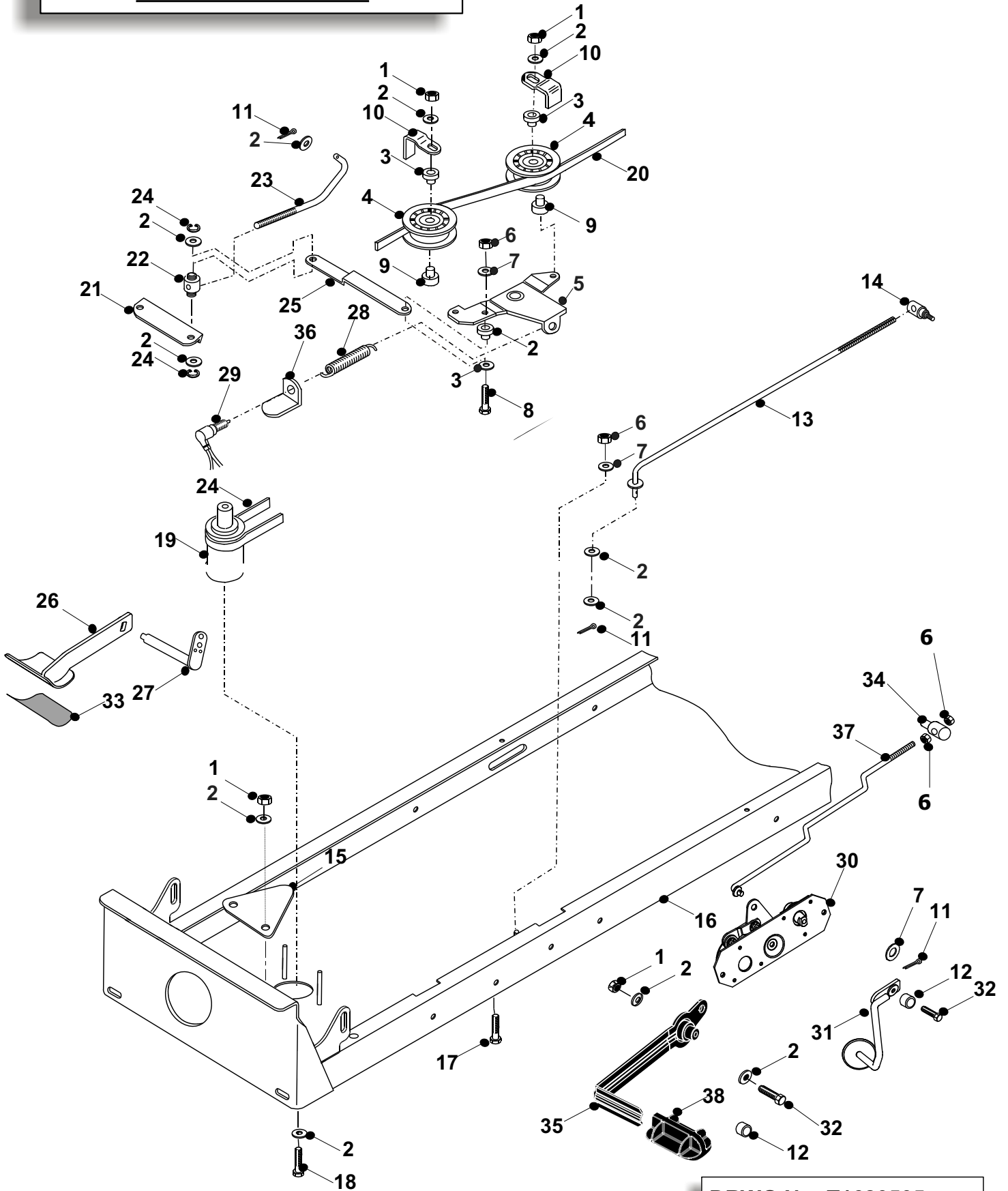
**DRWG No: T1660302
ISSUE No: 2**

SECTION 3

**WESTWOOD TRACTOR
ENGINE & EXHAUST
PARTS LIST**

	PART DESCRIPTION	PART NUMBER
1	Engine - Not Available From Westwood	N/A
2	Oil Drain Valve	52851200
3	M8 Washer	08819500
4	Clutch Plate	302007000
5	Engine Pulley Spacer	31854000
6	Key 1/4" Square x 1.1/4"	09853400
7	Chassis 04	32702403
8	Engine Pulley	31330502
9	Mag Stop Electric Clutch	44936100
10	Bolt M10 x 30mm	018002100
11	Bolt M8 x 40mm	018003200
12	Exhaust Gasket (Supplied by Briggs & Stratton)	N/A
13	Clutch Spacer	31330300
14	Exhaust Pipe (S1400/1600)	327360400
	Exhaust Pipe (T1600 & Twin Cylinder)	327360500
15	Exhaust Box (S1300/1600)	32851800
	Exhaust Box (T1600 & Twin Cylinder)	529469200
15a	R/H Exhaust Box	328956300 use 327007301
16	Nut M8	04822300
17	Washer M8 x 25 x 3mm Unplated	089418600
19	Exhaust Cover (** No Longer Used from May 2002)	307176000 use 30122900
19a	Heat Shield	301136200
20	Bolt 7/16" UNF x 4.1/2"	01831000

**WESTWOOD TRACTOR
TRANSMISSION
DRIVE ASSEMBLY**

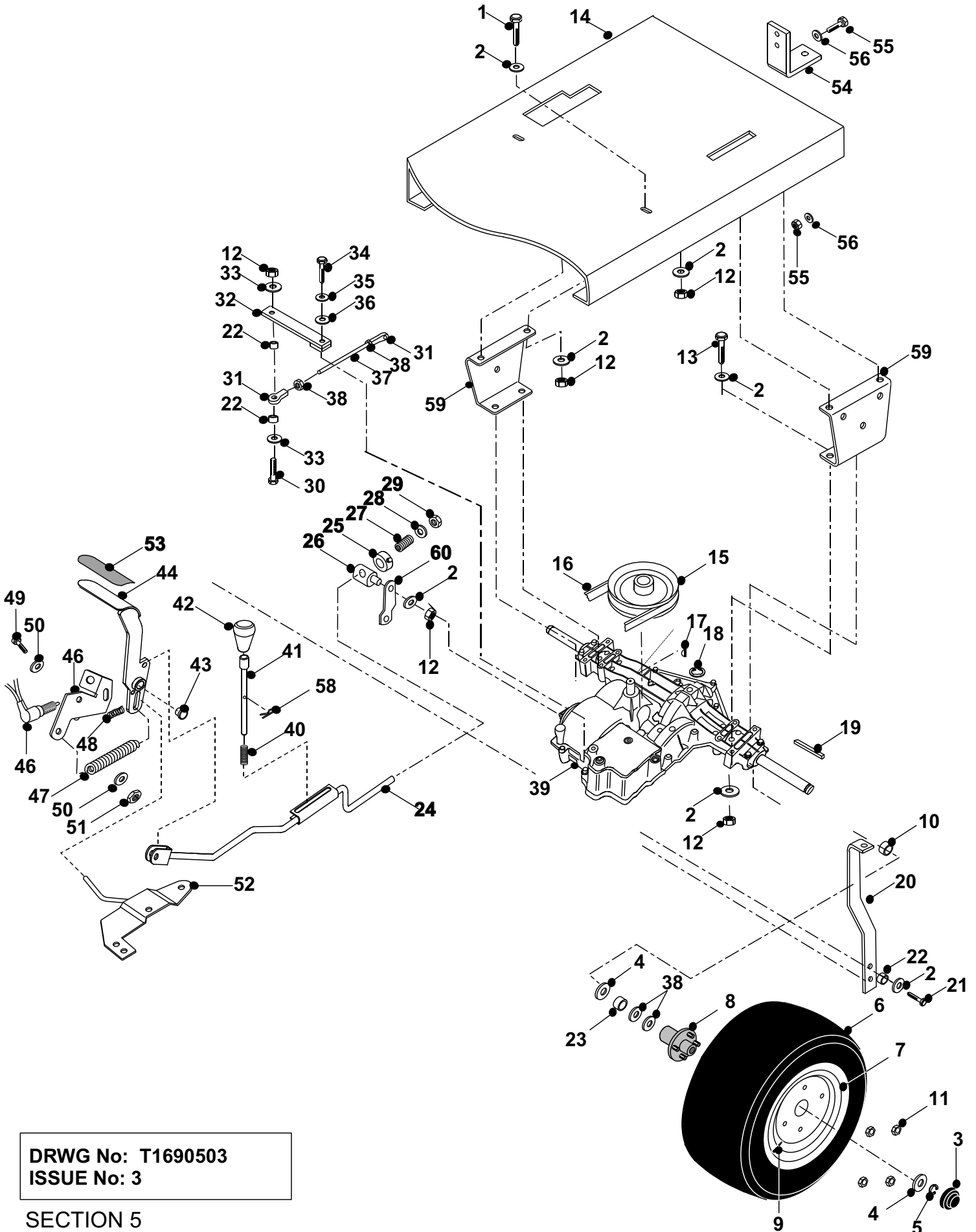


**DRWG No: T1680505
ISSUE No: 5**

**WESTWOOD TRACTOR
P.T.O. & TRANSMISSION DRIVE.
ASSEMBLY PARTS LIST**

	PART DESCRIPTION	PART NUMBER
1	M8 Nyloc Nut	04920100
2	M8 Washer	08819500
3	Spacer Jockey Wheel	18831600
4	Tx PTO Jockey Pulley	20811500
5	Transmission Pulley Plate	327020500
6	M10 Nyloc Nut	04886100
7	Washer 10.8 i.d x 20.7 o.d x 2mm Thk	088002400
8	Bolt M8 x 50mm	018001800
9	Jockey Cap	31351100
10	Belt Retaining Bracket	27105800
11	Split Pin 1" x 1/8"	06823300
12	Pedal Spacer	189500200
13	Deck Tension / P.T.O Engage Rod.	318958000
14	Trunnion (PTO Engage)	18806100
15	Clutch Retaining Bracket	302007000
16	Chassis 04	32702403
17	Bolt M8 x 45mm	02941000
18	Bolt M8 x 20mm	02825900
19	Magstop Engine Pulley	31330502
20	A79 Super II Belt	229503400
21	Clutch Link Arm	301046800
22	Trunnion	18806100
23	Clutch Link Rod	313009500
24	19mm External Circlip	07921200
25	Clutch Link Arm	301069700
26	Brake Pedal Plate	307174000
27	Clutch Pedal Shaft	327020300
28	Safety Switch Spring	25813801
29	Pull Safety Switch	44945001
30	Transmission Cassette	409429501
31	Reverse Pedal	328958900
32	Bolt M8 x 25mm	01902300
33	LH Rubber Pedal Pad	149496800
34	Forward / Reverse Trunnion	183017300
35	Forward Pedal	327362800
36	Switch Mounting Plate	302005400
37	Forward / Reverse Rod	327362500
38	Forward Pedal Rubber	148013700

**WESTWOOD TRACTOR
TRANSAXLE ASSY**



DRWG No: T1690503
ISSUE No: 3

SECTION 5

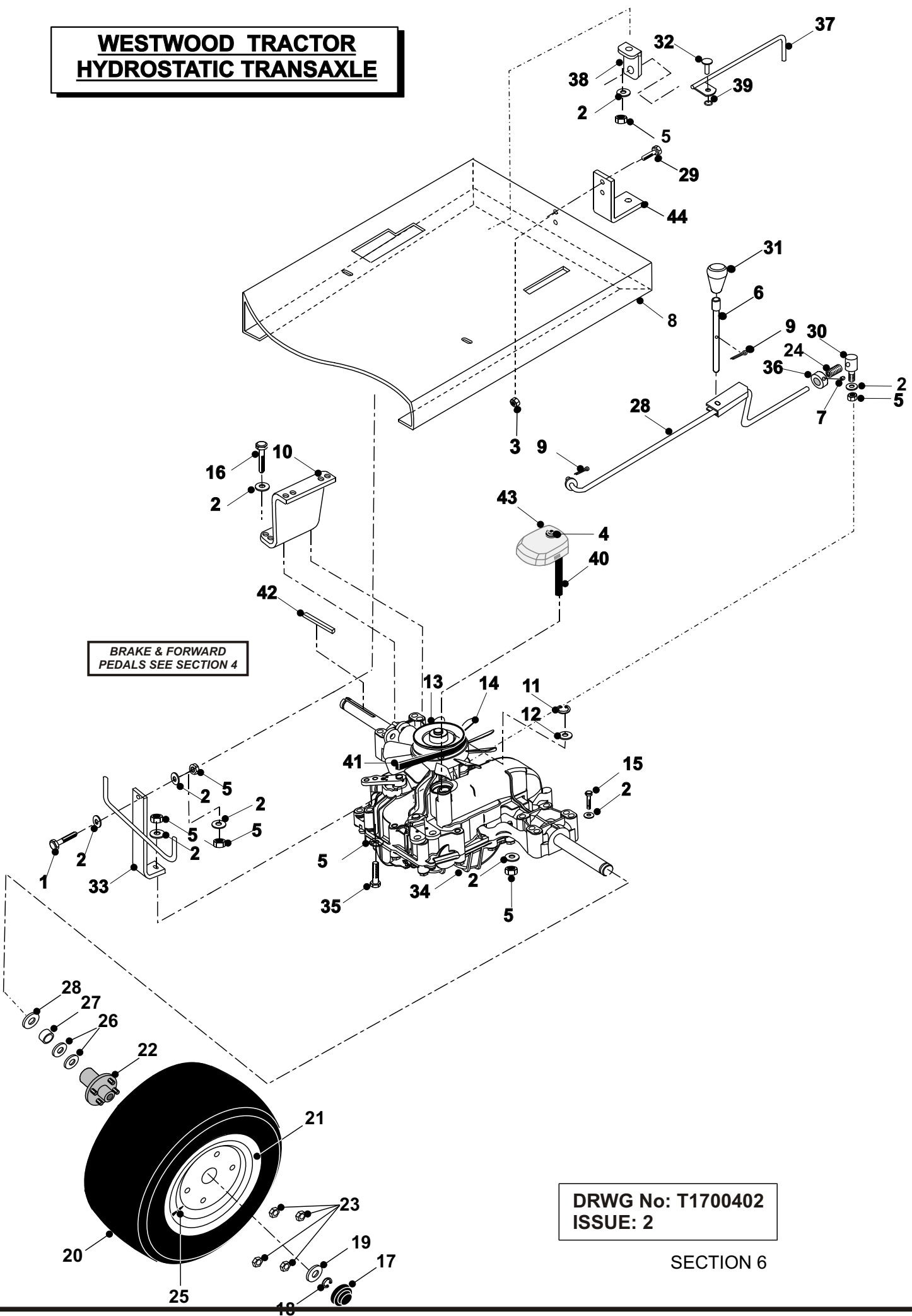
WESTWOOD TRACTOR
TRANSAXLE
PARTS LIST

	PART DESCRIPTION	PART NUMBER
1	Set Screw 5/16"UNF x 3/4"	02827600
2	Washer 5/16" T4 HP	08819700
3	Hub Cap	14811800
4	Washer 46mm x 19.5mm	30127800
5	E - Clip 3/4"	07823200
6	20" Rear Wheel	19802800
7	Rear Wheel Rim	198001100
	Grease Nipple 45 Degrees	11898800
	`O' Ring	24898700
	Starlock Washer 5/16" x 5/8"	08823500
8	Wheel Hub (for 20" Wheel) with Studs & Nuts	198002000
9	Valve	14889200
10	Transaxle Spacer	189498700
11	Wheel Nut	048000901
12	Nyloc Nut 5/16" UNF	04827500
13	Bolt 5/16" UNF x 2 1/2" HT Z/P	01821100
14	Chassis 04	32702403
15	Pulley 7"	20870700
16	Engine / Transmission Belt (Manual) A82	2281110A
17	Woodruff Key 606	09823900
18	Circlip 5/8"	07823800
19	Key 3/16" x 2"	09830700
20	Transaxle Support Bracket	292005600
21	Screw 5/16" Taptite Tri - Lock	02822100
22	Spacer 5/16" x 7mm	31302800
23	Wheel Spacer 17mm	31324900
24	Brake Rod (Manual)	32711500
25	Locknut 3/8" UNF	04821400

**WESTWOOD TRACTOR
MANUAL TRANSAXLE
PARTS LIST**

	PART DESCRIPTION	PART NUMBER
26	Brake Rod Trunion	18849900
27	Brake Rod Spring	25808300
28	Washer 3/8" T3 HP	08820100
29	Nut 3/8" UNF Nyloc	04820200
30	Bolt 5/16" UNF x 1 3/4"	01820800
31	Rod End M8 x M8 (R/H thread female)	10896200
32	Gear Select Plate	32702300
33	Washer 5/16" T3 LP	08819500
34	Bolt 1/4" UNF x 3/4"	01827700
35	Shakeproof Washer 1/4"	08825700 use 08824200
36	Washer 9/16"	08824200
37	Gear Select Adjustment Rod	31301600
38	Locknut M8	04822300
39	Tecumseh Manual 6 Speed Transaxle	N/A
40	Park Brake Spring	25805000
41	Park Brake Rod	31305900
42	Lever Knob	14804800
43	Oillite Bush Flange	52826500
44	Foot Pedal	327173900
45	Pull Safety Switch	44945001
46	Safety Switch Bracket	307174400
47	Spring Brake Pedal	25808300
48	Spring Safety Switch	25813801
49	Screw 5/16" UNF x 3/4"	02827600
50	Washer 5/16" T4 HP	08819700
51	Nut 5/16" UNF Nyloc	04827500
52	Jockey Pulley Plate	327361900
53	R/H Rubber Pedal Pad	149496900
54	Tow Bracket	29200101
55	Bolt M10	01915300
56	Washer M10	088002400
57	Nut M10	04872100
58	R. Clip	06849100
59	Hydro Transaxle Gearbox Mounting Bracket	30131600
60	Brake Extension Bracket	30138500

WESTWOOD TRACTOR HYDROSTATIC TRANSAXLE



BRAKE & FORWARD
PEDALS SEE SECTION 4

DRWG No: T1700402
ISSUE: 2

SECTION 6

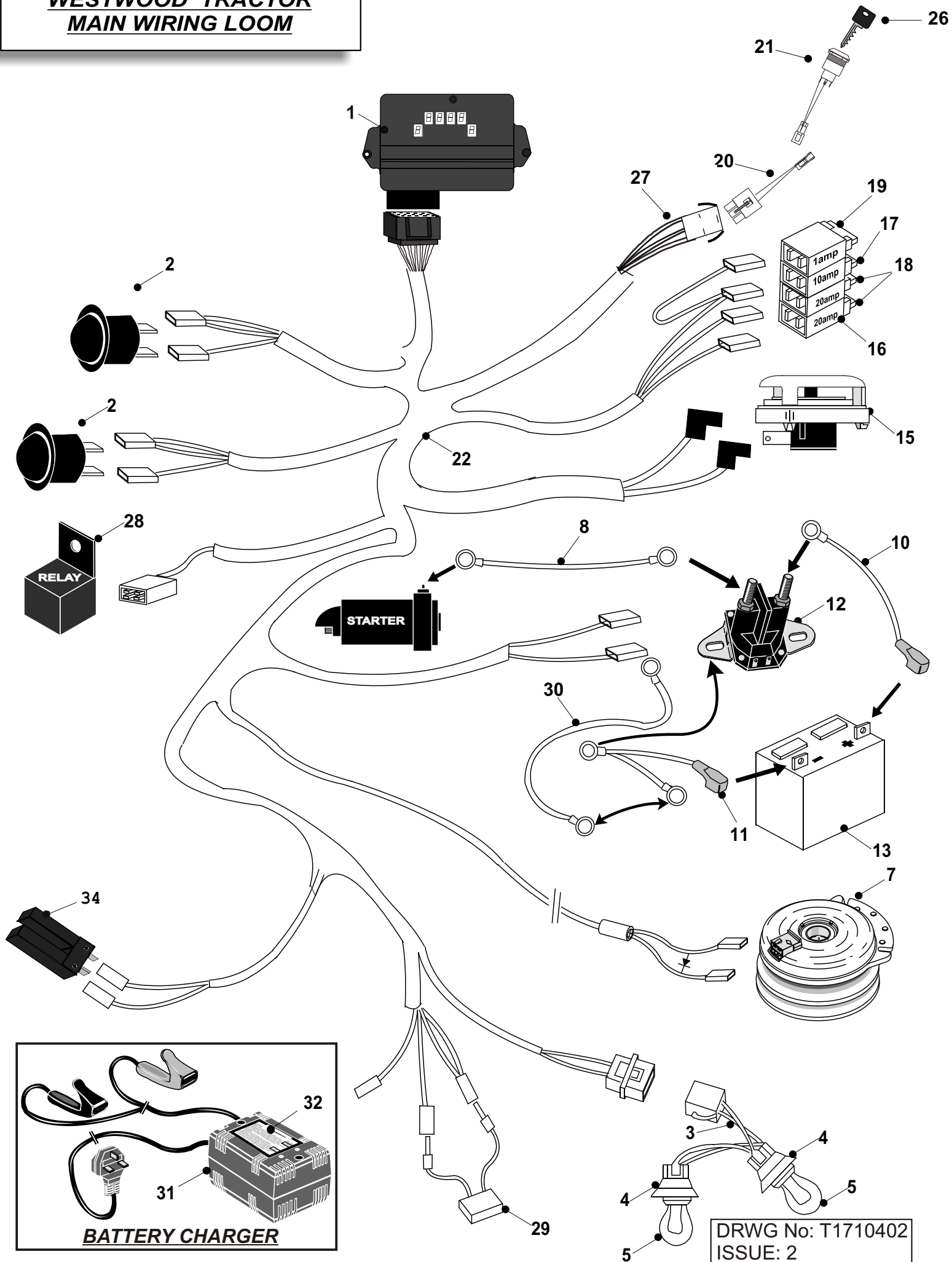
**WESTWOOD TRACTOR
HYDROSTATIC TRANSAXLE
PARTS LIST**

	PART DESCRIPTION	PART NUMBER
1	Roofing Bolt M8 x 20mm	018001500
2	M8 Washer	08819500
3	M10 Locknut	04872100
4	Vent Valve Breather	Tuff Torq Pt No 19485924252
5	M8 Nyloc Nut	04920100
6	Park Brake Pin Rod	31305900
7	M8 x 10mm Grubscrew	018000900
8	Chassis 04	32702403
9	Split Pin 1/8" x 1"	06823300
10	Transaxle Bracket	307025900
11	14 mm Circlip	07906600
12	9/16" T4 LP Washer	08917800
13	K46 Input Pulley	200811600
14	Tuff Torq Plastic Transaxle Fan	148007000
15	Bolt M8 x 70mm	01850700
16	Bolt M8 x 75mm	018005600
17	Hub Cap	14811800
18	19 mm External Circlip	07921200
19	K46 Transaxle Thrust Washer	307191800
20	20" Rear Tyre	198001200
21	Rear Wheel Rim	198001100
	Grease Nipple	11898800
22	Hub with Studs & Nuts	198002000
23	Wheel Nut	048000800
24	Brake Rod Spring	25808300
25	Wheel Valve	14889200
26	Washer 19mm	08829900
27	K46 Transaxle Spacer	189498700
28	Brake Rod - Hydro	327174100
29	Bolt M10 x 30mm	018002100
30	Brake Rod Trunnion	183017400
31	Lever Knob	14804800
32	Flat Head Rivet 1/4" x 1/2" B/Z	12855800
33	Transaxle Support Bracket	313009400
34	K46 Hydrostatic Transaxle	478000300
35	Bolt M8 x 50mm	018001800
36	Deck Spring Stop Locking Collar	31320400
37	Dump Valve Rod	321123301

**WESTWOOD TRACTOR
HYDROSTATIC TRANSAXLE
PARTS LIST**

	PART DESCRIPTION	PART NUMBER
38	Dump Rod Bracket	303071400
39	Starlock Washer 1/4"	08868700
40	Reservoir Hose	148014800
41	Belt Dayco A79	229503400
42	Key Rear Wheel 2" x 3/16"	09830700
43	Reservoir Tank	148014600
44	Tow bracket	29200101

**WESTWOOD TRACTOR
MAIN WIRING LOOM**

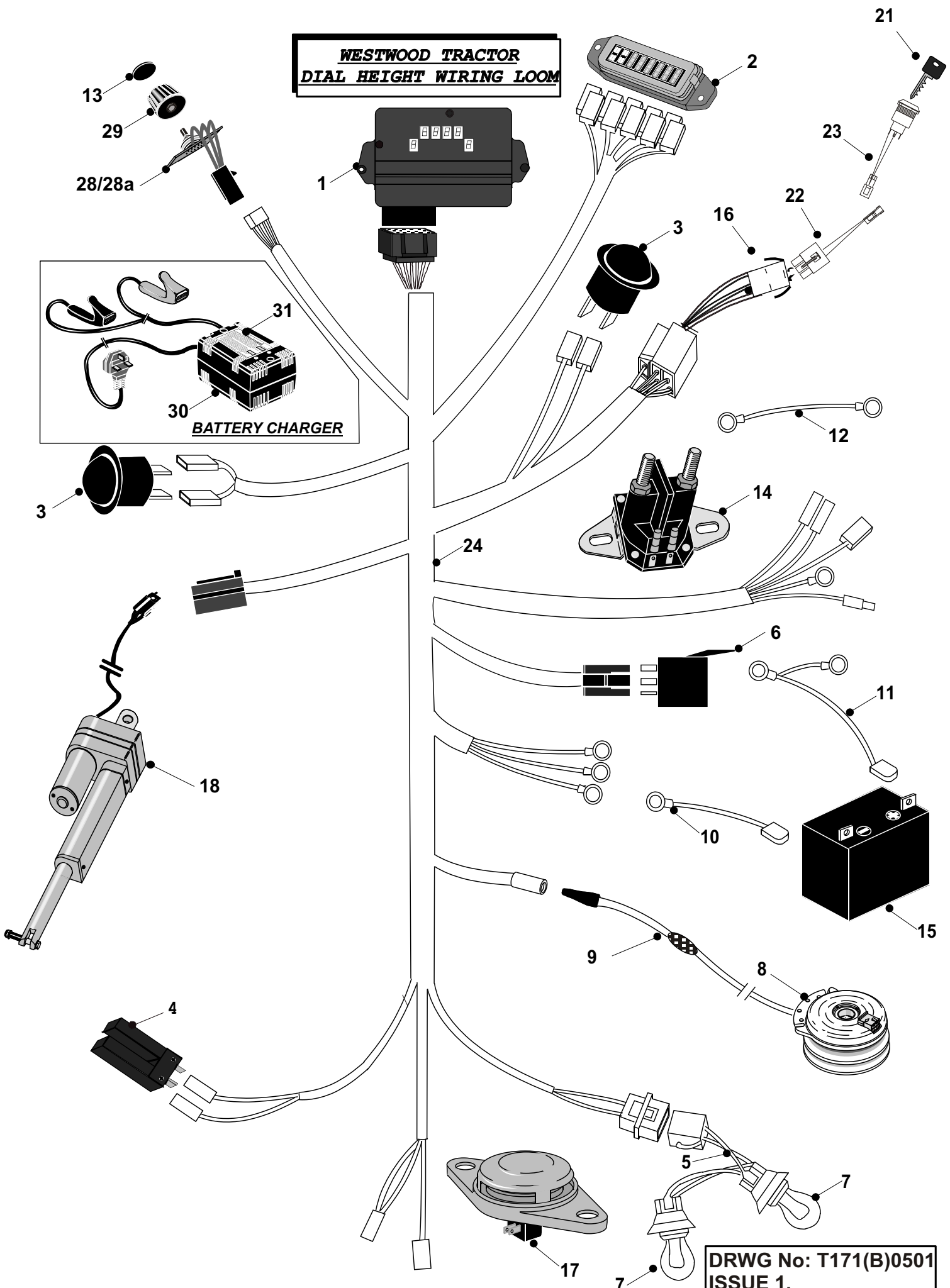


DRWG No: T1710402
ISSUE: 2

**WESTWOOD TRACTOR
MAIN WIRING LOOM MANUAL
PARTS LIST**

	PART DESCRIPTION	PART NUMBER
1	Main PCB upto 50125 Main PCB 50125- Current	8062 449561700
2	Cutter Switch (with symbols) up to 50125 Rocker Switch (on / off / on)	8161 449665600
3	Light Switch (with symbols) up to 50125 Light Loom 3894	8160 44946600 use 44813900
4	Bulb Holder	44816100
5	12 Volt Pole Bulb	44816200
6	Electric Clutch Magstop	44936100
7	Clutch Loom Magstop Modular	44946800
8	Lead Battery to Solenoid	44812600
9	B&S Engine Loom Block Connector (not illustrated) upto 50504	448015500
10	Battery Solenoid Lead (+) up to 50125 Battery solenoid Lead (+) from 50125 to Current	448006200 448010000
11	Battery Earth Lead upto 50125 Battery Earth Lead Short from 50125 to current Battery Earth Lead Long from 50125 to current	448006301 449662800 449662900
12	Starter Solenoid	44814801
13	Battery 12V (Dry Charged)	458141200
14	Ignition Light (not illustrated) up yo 40831	8841
15	Seat Switch	44949500
16	Fuse Holder FHA40 6.3mm up to 11106 Fuse Holder from 11106 to current	8176 301139400
17	Fuse Spade 10 Amp	44889500
18	Fuse Spade 20 Amp	44835000
19	Fuse Spade 1Amp	449559300
20	Ignition Adaptor Loom	449683400
21	Ignition Switch	449683300
22	Main Loom	448006101
	Main Loom (c/w clutch loom & light loom) up to 50125 Main Loom (c/w clutch loom & light loom) from 50125 to current	448006101 449561801
23	Tie Wrap (Not Illustrated)	52825400
24	Tie Wrap Mount (Not Illustrated)	52816800
25	Tie Wrap Self Adhesive (Not Illustrated)	52816700
26	Ignition Key	529471700
27	Ignition Switch Sub Loom	449563200
28	Electric Relay 12v / 30amp	449559100
29	Intek Adaptor Loom for 448006101 up to 71117	448006900
30	Chassis to Engine Earth Loom	448007000
31	Westwood Battery Charger	449562800
32	Battery Charger Decal	SEE SECTION 13B
33	Battery Charger Instructions (not illustrated)	36919400
34	Position Sensor Switch	449666602

**WESTWOOD TRACTOR
DIAL HEIGHT WIRING LOOM**



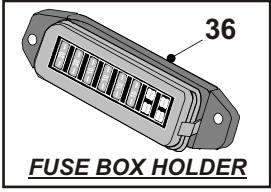
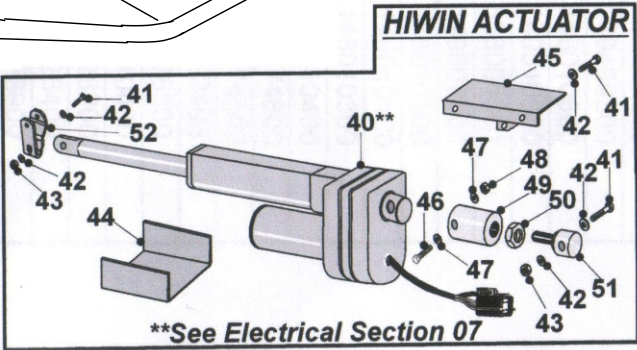
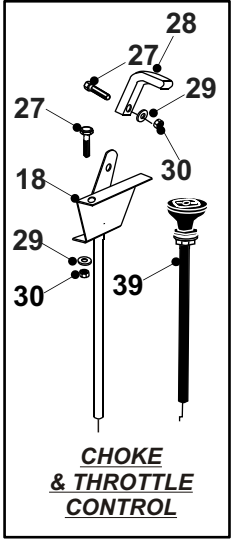
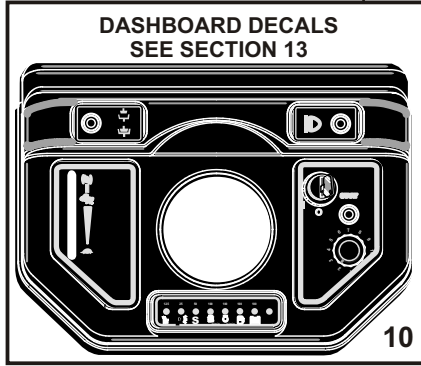
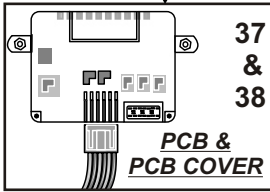
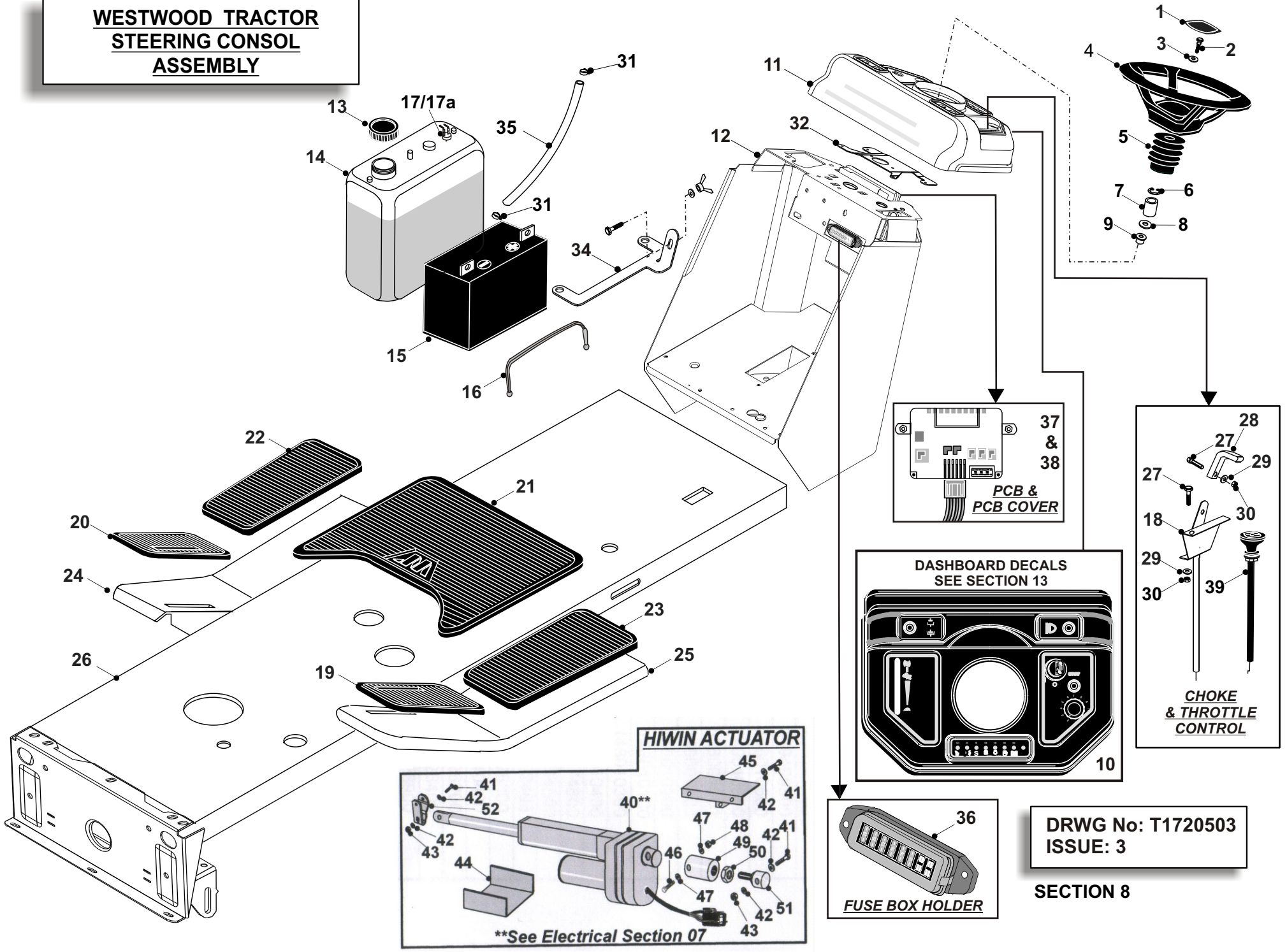
**DRWG No: T171(B)0501
ISSUE 1.**

SECTION 07B

WESTWOOD TRACTOR
DIAL HEIGHT LOOM
PARTS LIST

	PART DESCRIPTION	PART NUMBER
1	Main Control PCB	449561700
2	Fuse Box Holder	301139400
3	Waterproof Momentary Switch (on / off / on)	448016100
4	Position Sensor Switch	449666602
5	Headlight Loom	449562400
6	Electric Relay 12v / 30amp	449559100
7	Bulb Hella 21W	448008500
8	Electric Magstop Clutch	44936100
9	Clutch Loom Magstop	44946800
10	Lead Battery to Solenoid	44812602
11	Earth Lead	44812402
	EarthLead Short	449662800
	Earth Lead Long	449662900
12	Start Lead (Briggs & Stratton Engines only) up to 50125	44812500
	Start Lead (Briggs & Stratton Engines only) from 50125 to current	448010000
13	Collet Knob Cap	148011001
14	Starter Solenoid	44814801
15	U1-34 12v Battery (Gel Type)	458141200
16	Ignition Switch Sub Loom	449563200
17	Seat Switch	44949500
18	Hiwin Actuator 1200N	448015700
19	10A Fuse (not illustrated)	44889500
20	Fuse Spade 20A (not illustrated)	44835000
21	Ignition Key	529471700
22	Ignition Adaptor Loom	449683400
23	Ignition Switch	449683300
24	Loom with Dial Height	449562000
25	Tie Wrap (Not Illustrated)	52825400
26	Tie Wrap Mount (Not Illustrated)	52816800
27	Tie Wrap Self Adhesive (Not Illustrated)	52816700
28	Deck Control PCB - from serial no. 21001...to 21104...	449559600
	Dial Height Deck Control PCB – from serial no. 21211...	448009200
28a	Dial Height Loom & Fuel Sender (not illustrated)	448015200
29	Collet Knob	148010600
30	Westwood Battery Charger	449562800
31	Battery Charger Decal	SEE SECTION 13B
32	Battery Charger Instructions (not illustrated)	36919500

**WESTWOOD TRACTOR
STEERING CONSOL
ASSEMBLY**



**DRWG No: T1720503
ISSUE: 3**

SECTION 8

WESTWOOD TRACTOR
STEERING CONSOL 2007
PARTS LIST

	PART DESCRIPTION	PART NUMBER
1.	Steering Wheel Cap	14938700
2.	Screw 8mm x 25mm	02826000
3.	M8 Washer	08819500
4.	Steering Wheel	14928200
5.	Gaiter	9426
6.	Circlip 5/8"	07823800
7.	Column Spacer	183025200
8.	Washer M8 x 40 x 3	08925400
9.	Column Upper Bush	14801800
10.	Dashboard Decals	SEE SECTION 13B
11.	Consul Top	148016800
12.	Consul	321125200
13.	Cap, Fuel Tank up to 10131	3963
	Cap, Fuel Tank from 10131 to current	52803100
14.	Fuel Tank	148015400
15.	Battery Dry charge	458141200
16.	Battery Strap	149499500
17.	Fuel Tank Sensor up to 60310	448010600
	Fuel Tank Sensor from 60310 to current	449665300
17a	Fuel Level Sensor Seal Kit	149510900
18.	Throttle Cable Single Cylinder	528004501
19.	LH Manual Tractor Foot Mat	148009800
20.	RH Front Running Board Mat	148010000
21.	Centre Running Board Mat - Manual	148010100
22.	RH Rear Running Board Mat	148010300
23.	LH Rear Running Board Mat	148010400
24.	RH Running Board	327174600
25.	LH Running Board	327174500
26.	Chassis 04	32702403
27.	Screw M4 x 12mm Pozi Pan S/Screw	02826300
28.	Control Knob (Throttle Cable)	14810400
29.	M4 Form A Washer BZP	08826200
30.	Nut Nyloc M4	04826400
31.	Jubilee Clip (Fuel Tank Hose)	11856900
32.	Carry Plate	307202400
34.	Fuel Tank Bracket	307199800
35.	Pipe, Fuel Black Rubber	3859
36.	Fuse Box Holder	301139400
37.	Main PCB	449561700
38.	PCB Case	148016700
39.	Choke Control – Twin Cylinder	RCL290058-00

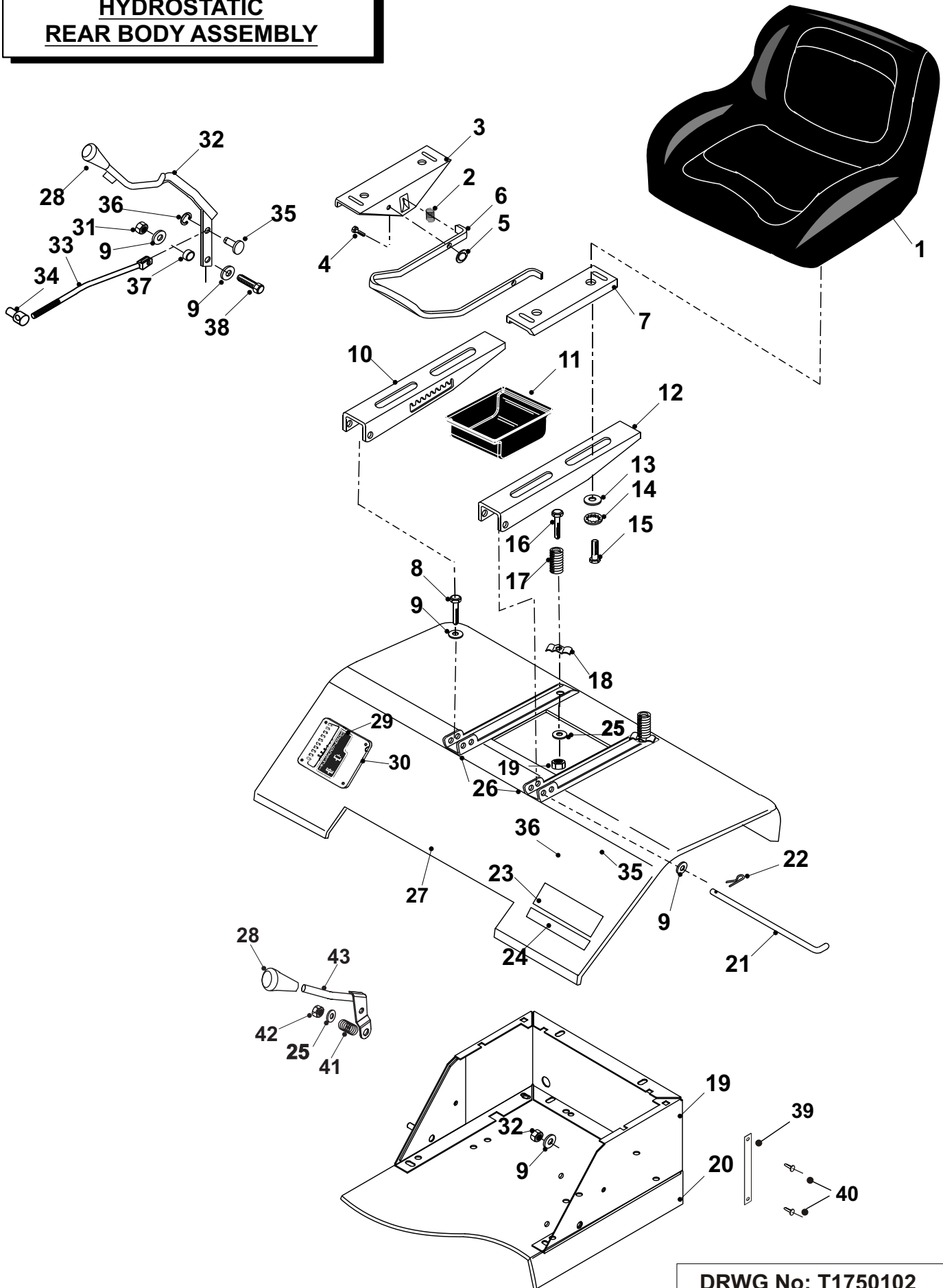
DEC 2007

SECTION 08

WESTWOOD TRACTOR
STEERING CONSOL 2007
PARTS LIST

	PART DESCRIPTION	PART NUMBER
40	Actuator 1200N Hiwin	448015700
41	M10 x 55mm Hex Head Bolt	018002400
42	Washer 10.8 i.d. x 20.7o.d. x 2mm thk	088002400
43	M10 Nyloc Nut	04886100
44	Deck Actuator Cover	307188100
45	Hiwin Actuator Plate	328960500
46	M8 x 35mm Bolt	01935700
47	M8 Washer	08819500
48	Full Nut Hex M8 Z/P	04822300
49	Actuator Adjuster	188719000
50	M12 Nut	049381200
51	Deck Lift Actuator Screw	187189000
52	Universal Deck Lift Arm	307192400

**WESTWOOD TRACTOR
HYDROSTATIC
REAR BODY ASSEMBLY**



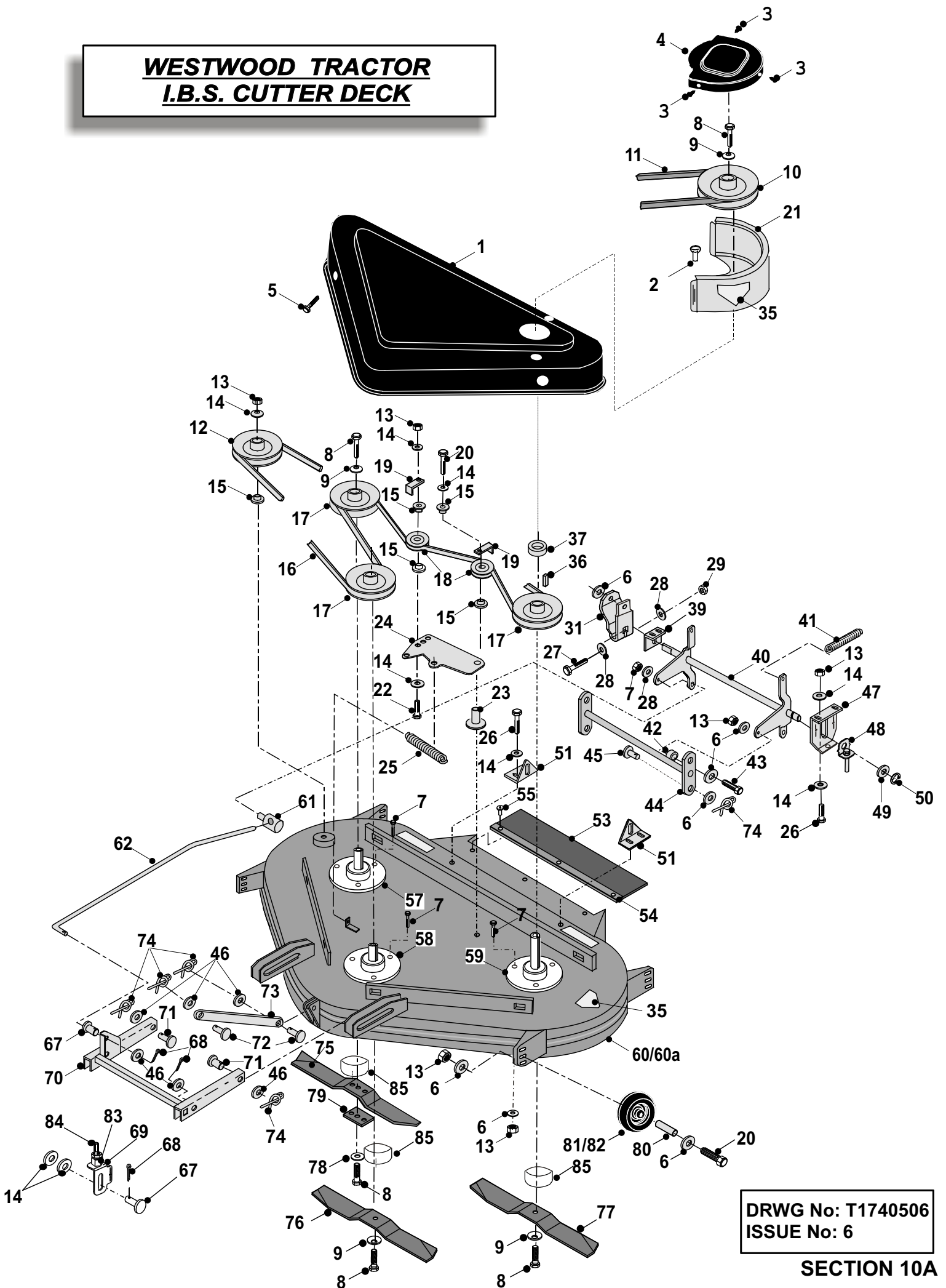
**DRWG No: T1750102
ISSUE: 2**

SECTION 9B

**WESTWOOD TRACTOR HYDROSTATIC
REAR BODY ASSEMBLY PARTS LIST**

	PART DESCRIPTION	PART NUMBER
1	Seat	14947200
2	Compression Spring Universal	25831100
3	Seat Plate Adjuster R/H	30117900
4	1/4" x 1/2" Flat Head Solid Rivet	12855800
5	Starlock Washer 1/4"	08868700
6	Seat Handle	30203100
7	Seat Plate Adjuster L/H	30118000
8	Bolt M8 x 20mm	02825900
9	Washer M8	08819500
10	R/H Seat Runner Upper	327173700
11	Tool Tray	149496700
12	L/H Seat Runner Upper	327173600
13	Washer 40 X 10mm HG	08118200
14	10mm Starlock Washer	08104400
15	M10 x 20mm Bolt	02800300
16	Bolt M10 x 40mm	019479100
17	Seat Spring (Adjustable Seat)	25845600
18	Spring Retaining Washer (Seat)	27835400
19	Rear Seat Box	327173000
20	Chassis 04	32702403
21	Seat Pivot Rod	31301800
22	'R' Clip 2mm	06849100
23	Decal "IBS Deck"	35931400
24	Deck Size Decal "92cm/36in"	35931500
	Deck Size Decal "97cm/38in"	35931600
	Deck Size Decal "122cm/48in"	35931800
25	Washer 10.8 i.d. x 20.7 o.d. x 2mm Thk	088002400
26	Tractor Seat Channel	30114900
27	Rear Body Panel	301129800
28	Lever Knob	14804800
29	Decal Cutter Height Adjustment / PTO Engage	358005600
30	PTO Engage Plate	32708601
31	M8 Nyloc Nut	04920100
32	Tractor Deck Adjustment Lever	327003300
33	Deck Height Adjustment Yoke	32703300
34	Deck Height Trunnion	18805400
35	Clevis Pin 3/8"	31340800
36	Circlip 3/8" External	07846800
37	Deck Height Pivot Boss	18317400
38	Bolt M8 x 50mm	018001800
39	Wear Plate	301140300
40	Rivet	12824400
41	Spring	25831100
42	M10 Nyloc Nut	04886100
43	PTO Engage Lever Rod	313003100

**WESTWOOD TRACTOR
I.B.S. CUTTER DECK**



DRWG No: T1740506
ISSUE No: 6

SECTION 10A

**WESTWOOD TRACTOR
IBS CUTTER DECK
(COVERED MODEL)**

	PART DESCRIPTION	PART NUMBER
1	Deck Lid Cover 36" Deck Lid Cover 38" Deck Lid Cover 42" Deck Lid Cover 48"	148002200 148002300 148002402 148002501
2	Rivet 4.8 x 6mm	12949400
3	Fir Tree Fastener	4958
4	Universal Deck Pulley Cover 2001	149497400
5	6 x 8 Pozi S/S S/Tap	02913100
6	Washer M8 x 25 x 3 unplated	089418600
7	M8 X 16mm M/Screw	028001000
8	Bolt 10 x 30mm	018002100
9	Washer Dome 3/8" id X 1 3/4" X 1/8"	08819900
10	Deck Drive Pulley c/w 31328301 Spacer	20870202
11	Belt B54 - 36" Deck	22949800
	Belt B55 - 38" Deck	22940200
	Belt B57 - 42" Deck	22871200
	Belt B59 - 48" Deck	22949900
12	Steel Deck Pulley c/w Bearing	20869600
13	M8 Nyloc Nut	04920100
14	M8 Washer	08819500
15	Spacer Jockey Wheel	18831600
16	Belt AA 105 - 36" Deck	22869800
	Belt AA 112 - 38" Deck	22869901
	Belt AA 120 - 42" Deck	22870000
	Gates Belt BB 136 - 48" Deck	22928800
17	5" Deck Pulley	20869502
18	Tx PTO Jockey Pulley Plastic	20811500
19	Belt Retaining Bracket	27105800
20	S/Screw M8 x 70mm	01850700
21	Deck Pulley Cover (Driven)	327180100
22	Bolt M8 x 50mm	018001800

NOTE: MAG STOP CLUTCH STANDARD AFTER SERIAL No. 60929...
WARNER AND OGURA DECK DRIVE CLUTCHES NO LONGER AVAILABLE FROM
PARTS DEPARTMENT

**WESTWOOD MULCH TRACTOR
IBS CUTTER DECK
(COVERED MODEL)**

	PART DESCRIPTION	PART NUMBER
23	Belt Tension Plate Spacer	31328900
24	Belt Tension Plate	32731000
25	Deck Belt Tension Spring	25906200
26	Bolt M8 x 20mm	02825900
27	M10 x 55 Hex Head Bolt	018002400
28	Washer 10.8 i.d. x 20.7 o.d x 2mm Thk	088002400
29	M10 Nut Nyloc	04886100
31	Lift Arm (20" Wheel Model)	301122401
35	Deck Danger Decal	35803300
36	Key 1/4" x 1/4" x 22mm Square	098450100
37	Deck Drive Pulley Spacer (39mm)	31328301
39	Deck Hanging Bracket (Rear)	27102001
40	Deck Hanging Bar (Rear) Rear Deck Lift Cradle (H.E.)	327361700 328954100
41	Sweeper Lift Assist Spring	25908801
42	Spacer 9mm X 8.3mm id	31302700
43	M8 x 30mm Hx Hd Bolt Zinc Plt & Clear Passivated	018005700
44	Deck Lift Cradle Rear	328961100
45	Deck Lift Pin Rear	31337200
46	Washer M12 x 24 x 1.6	088003600
47	Rear Deck Level Bracket	301143700
48	Rear Deck Cradle Adjuster	327029300
49	Washer 19mm	08829900
50	M12 'E' Clip Plated	078000800
51	Rear Deck Hanging Bracket	27102001
53	Rubber Flap	14868900
54	Rubber Flap Plate	30145100
55	Pop Rivet 4.8 X 16mm	12860100
57	Deck Bearing Housing (Short Shaft With Studs)	40503604
58	Deck Bearing Housing (Short Shaft)	40503604
59	Deck Bearing Housing (Long Shaft)	40503504
60	36" Deck Shell	32726700
	38" Deck Shell	32726601
	42" Deck Shell	32726500

DEC 2007

SECTION 10A

**WESTWOOD MULCH TRACTOR
IBS CUTTER DECK
(COVERED MODEL)**

	PART DESCRIPTION	PART NUMBER
60	48" Deck Shell	32732500
60a	Complete Cutter Deck	SALES DEPT.
61	2002 Tractor Deck Level Trunnion	189497500
62	Height Adjuster Rod	18805900
63	Decal (36") 92cm IBS Deck (not illustrated)	358008901
64	Deck Decal (38") 97cm IBS Deck (not illustrated)	358009200
65	Decal (42") 107cm IBS Deck (not illustrated)	358009001
66	Decal (48") 122cm IBS (not illustrated)	358009301
67	Deck Lift Pin	31339400
68	Split Pin 1/8" x 1"	07823300
69	Deck Adjustment Plate	27115100
70	Deck Carrying (Front)	32703701
71	Deck Lift pin (Front)	31336800
72	Deck Push Rod Pin	31338200
73	Deck Bar 36" & 42"	29203900
	Deck Tension Arm 38"	29202400
	Deck Bar 48"	29203800
74	Rue Clip	16869202
75	15" R/H Blade	16869201
75	17.5" L/H Blade	16929000
76	12" L/H Blade (36" & 38")	16869001
	15" L/H Blade (42")	16869102
	17.5" L/H Blade (48")	16928900
77	15" L/H Blade	16869102
	17.5 L/H Blade (48")	16928900
	36" & 38" Blade Kit	40505200
	42" Deck Blade Kit	40505300
	48" Deck Blade Set	40505500
78	10mm Internal Shakeproof Washer	088004000
79	Deck Pan Tab Washer	27111200
80	Scuff Wheel Hub	31337600
81	Anti Scalp Wheel	19905500
82	Anti Scalp Wheel – March 2002	149495800
83	Deck Level Adjuster Nut	189501801
84	M/Screw M10 x 60mm	018006600
85	Deck Slinger	30831500

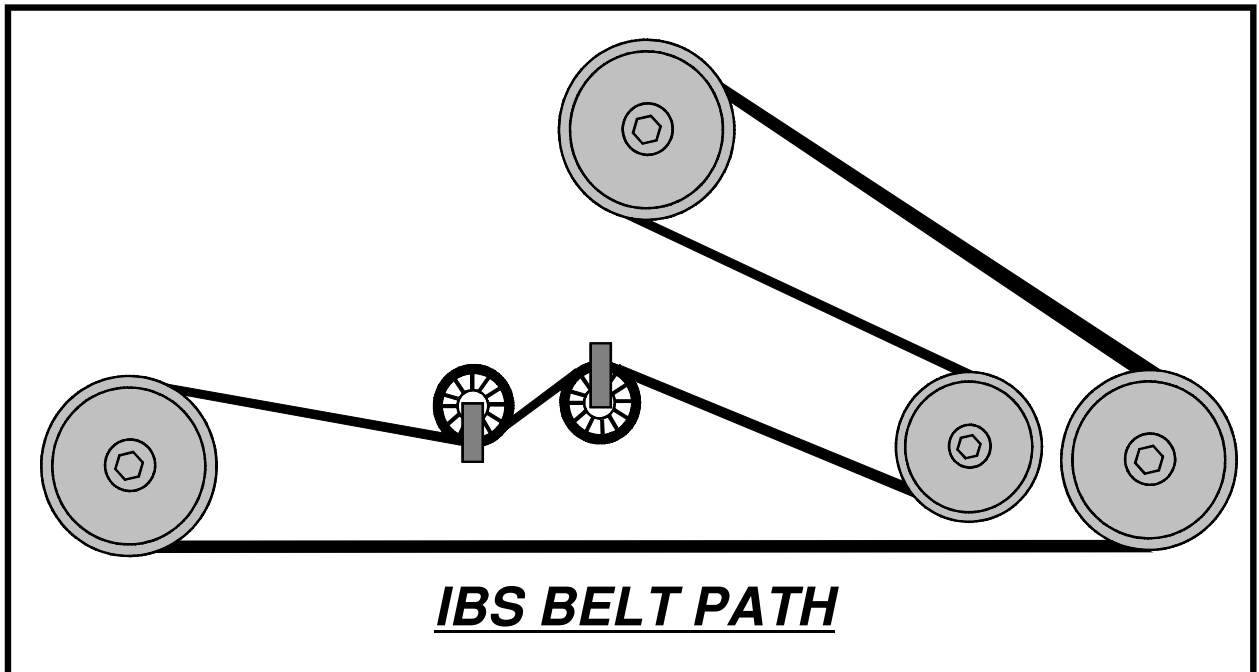
DEC 2007

SECTION 10A

92cm (36") & 97cm (38")		
1	12" L/H BLADE CLOCKWISE	16869001
1	15" L/H BLADE CLOCKWISE	16869102
1	15" R/H BLADE ANTI - CLOCKWISE	16869202
36" & 38" BLADE KIT		40505200

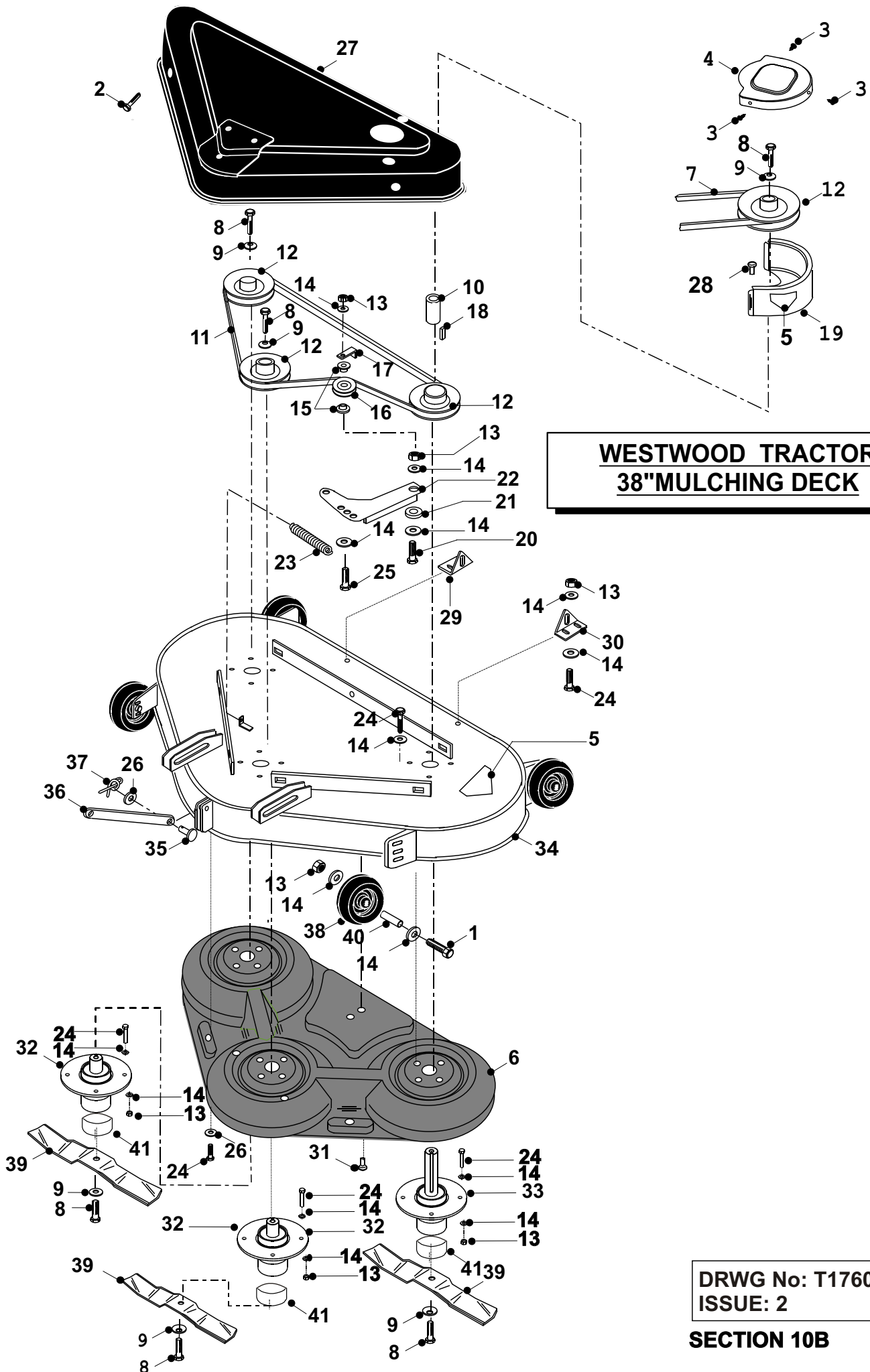
107cm (42")		
1	15" L/H BLADE CLOCKWISE	16869102
1	15" L/H BLADE CLOCKWISE	16869102
1	15" R/H BLADE ANTI - CLOCKWISE	16869202
42" BLADE KIT		40505300

123cm (48")		
1	17.5" L/H BLADE - ANTICLOCKWISE	16928900
1	17.5" L/H BLADE ANTI - CLOCKWISE	16928900
1	17.5" R/H BLADE ANTI - CLOCKWISE	16929000
48" BLADE KIT		40505500



DEC 2007

SECTION 10A



**WESTWOOD TRACTOR
38" MULCHING DECK**

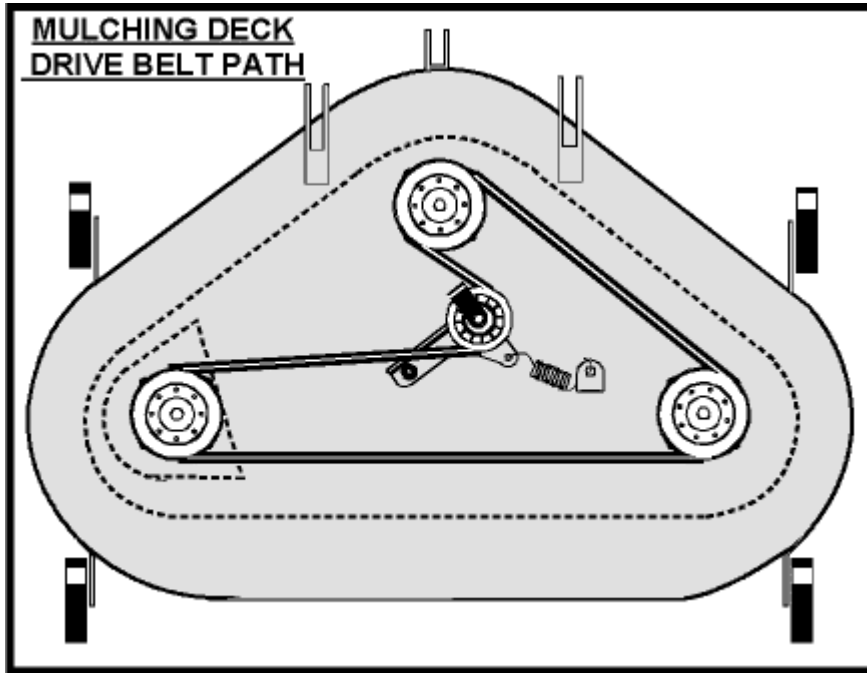
**DRWG No: T1760202
ISSUE: 2**

SECTION 10B

WESTWOOD TRACTOR
38" MULCHING DECK
PARTS LIST

		PART NUMBER
1	M8 x 70mm Hex Bolt Zinc & Clear Passivated	028663200
2	Self Tapping Screw Hex Head 4.8 x 16mm	028001500
3	Fir Tree Fastener	4958
4	Universal Deck Pulley Cover	149497400
5	`Deck Danger' Decal	35803300
6	Mulcher Deck Liner Inner	148002600
7	B55 Belt Dayco Super 2	22940200
8	M10 x 30mm Bolt	018002100
9	Washer Dome 3/8" id x 1.3/4" x 1/8"	08819900
10	Deck Drive Pulley Spacer	31328301
11	Belt A72 Super 2 Mulcher Application	228000500
12	5" Deck Pulley - Internal	20869502
13	M8 Nyloc Nut	04920100
14	Washer M8 x 25 x 3mm Unplated	089418600
15	Spacer Jockey Wheel	18831600
16	PTO Jockey Pulley Plastic	20811500
17	Belt Retaining Bracket	27105800
18	Key 1/4" x 1"	09830600
19	Mulcher Deck Drive Pulley Guard	327180000
20	M8 x 40mm Bolt BZP	018003200
21	Belt Tension Plate Spacer	31328900
22	Mulcher Deck Belt Tension Plate	32734600
23	Deck Tension Spring	25906200
24	Screw 8mm x 25mm	02826000
25	Bolt M8 x 45mm	02941000
26	M8 Washer	08819500
27	Deck Lid Cover 38" Mulcher	148002701
28	Rivet Pop 4.8 x 6mm	12949400
29	Rear Hanging Bracket (R/H)	30121300
30	Rear Hanging Bracket (L/H)	30121400
31	Rivet for Mulcher Deck Liner	128000100
32	Short Shaft Bearing Housing	40503604
33	Deck Bearing Housing Long Shaft	40503504
34	Mulch 38" Deck Shell	327000101
35	Deck Push Rod Pin	31338200
36	Deck Tension Bar (38" Mulcher)	29203700
37	Rue Clip	11836700
38	Anti Scalp Wheel	149495800
39	15" L/H Mulching Blade	16937900
40	Scuff Wheel Hub	31337600
41	Deck Slinger	30831500

WESTWOOD MULCH TRACTOR
38" MULCHING DECK
PARTS LIST



1.

2. **Westwood**

3.

Westwood

4.

Westwood

5.

97 CM / 38"

6. **10
cm
cut
height**

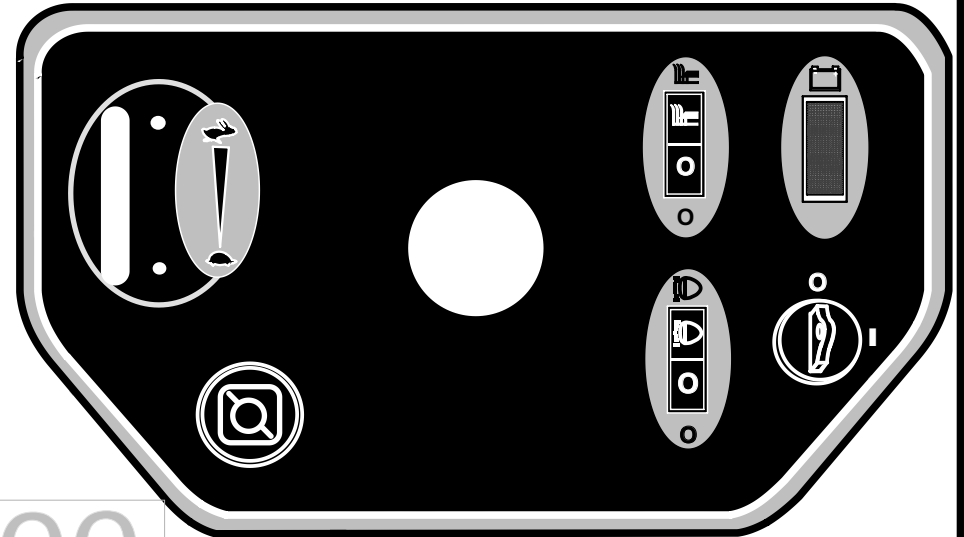
11.



WESTWOOD TRACTOR DECALS 2007

DASHBOARD DECALS

7.



8.

S1400

9.

S1600

Westwood

IMPORTANT - READ SAFETY INSTRUCTIONS BEFORE OPERATING THIS MACHINE

MULCHING
For Best results:
- Do not reduce the height of the grass by more than 1/3 in a single pass
- Mow often - short clippings of 25mm (1") or less decompose more quickly
- If possible, avoid cutting in the wet
- Always cut with the engine at full running speed
- If an unusually thick or coarse grass increases cutting height
- Very mowing pattern from cut to cut
- Always keep the condition of the deck clean to permit good grass flow
- Always ensure that blades are sharp and in good condition

VIBRATION TESTED TO THE FOLLOWING STANDARDS
ISO 4852-1987, ISO 2631-1985, ISO 1972-2002, SISO44-1997



**EXERCISE CAUTION WHEN CUTTING
ON SLOPES**

**SERVICE DRWG:
ISSUE:**

10.

SECTION 11A

WESTWOOD TRACTOR DECALS PRE 2003/4
PARTS LIST

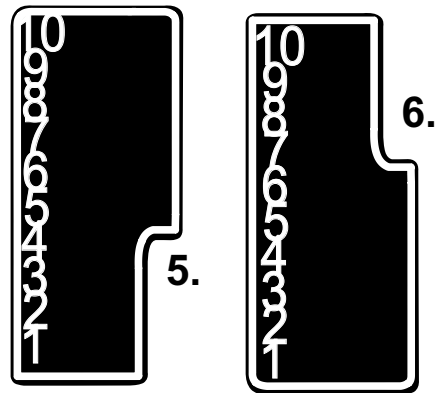
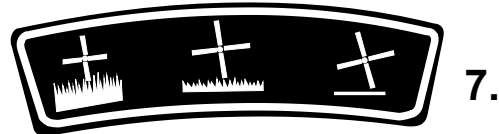
	PART DESCRIPTION	PART NUMBER
1.	LH Bonnet Side Stripe	RCL766181-00
	RH Bonnet Side Stripe	RCL766180-00
2.	Decal Westwood Badge	358026100
3.	Side Bonnet Decal `Westwood`	9370
4.	Front Bonnet Decal `Westwood`	358010200
5.	Decal - 92cm Deck Size	35931500
	Decal - 97cm Deck Size	35931600
	Decal - 107cm Deck Size	35931701
	Decal - 122cm Deck Size	35931800
6.	DK Height / PTO Engage Rear Body Decal	358005602
7.	Dashboard Decal	358010500
8.	Decal Front Upper Bonnet S1300M	RCL76614100
	Decal Front Upper Bonnet S1400H	RCL76614200
	Decal Front Upper Bonnet S1600H	RCL76614600
	Decal Front Upper Bonnet T1600H	RCL76614800
	Decal Front Upper Bonnet T1800H	RCL76615200
	Decal Front Upper Bonnet T2000H	RCL76633000
9.	Decal S1300 Consul	358011400
	Decal S1600 Consul	358011600
	Decal T1600 Consul	358011800
	Decal T1800 Consul	358012000
	Decal T2000 Consul	358012200
10.	Instruction Decal	359506300
11.	Mulcher Decal	35945901

1. Westwood

2. Westwood

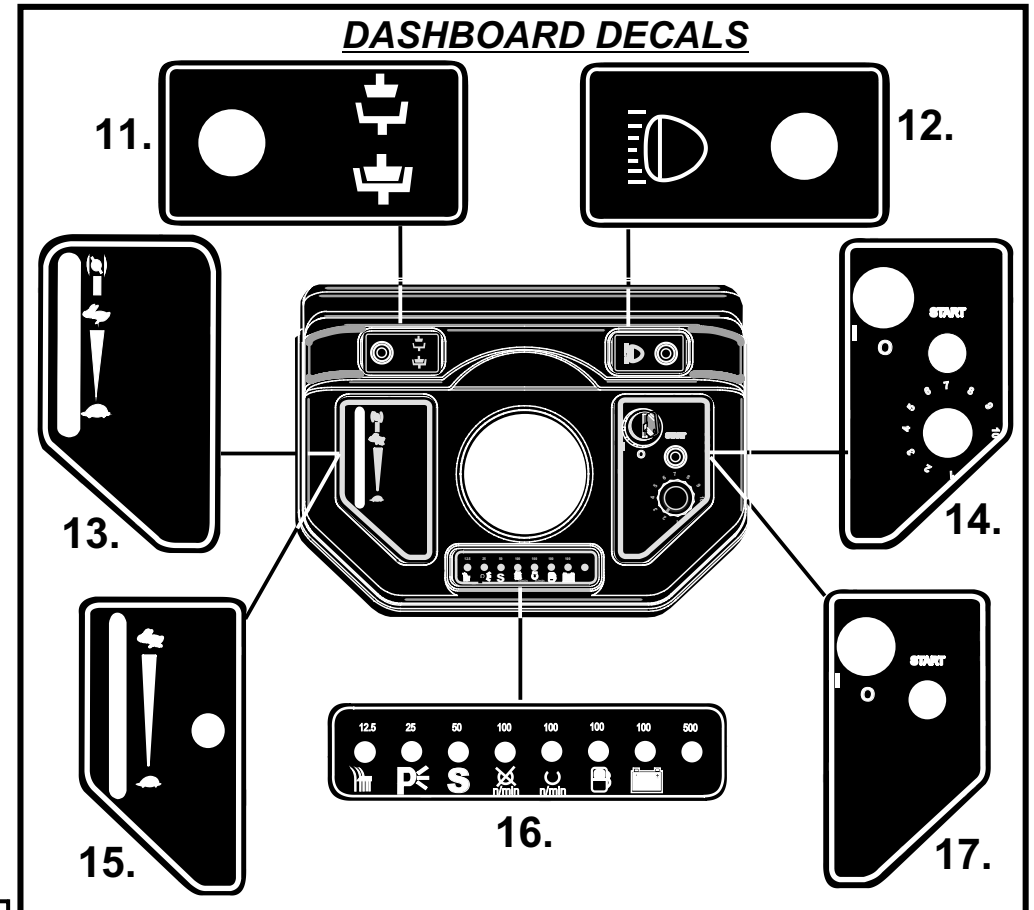
3. S1600

4.



WESTWOOD TRACTOR DECALS 2007

9. 97 CM / 38"



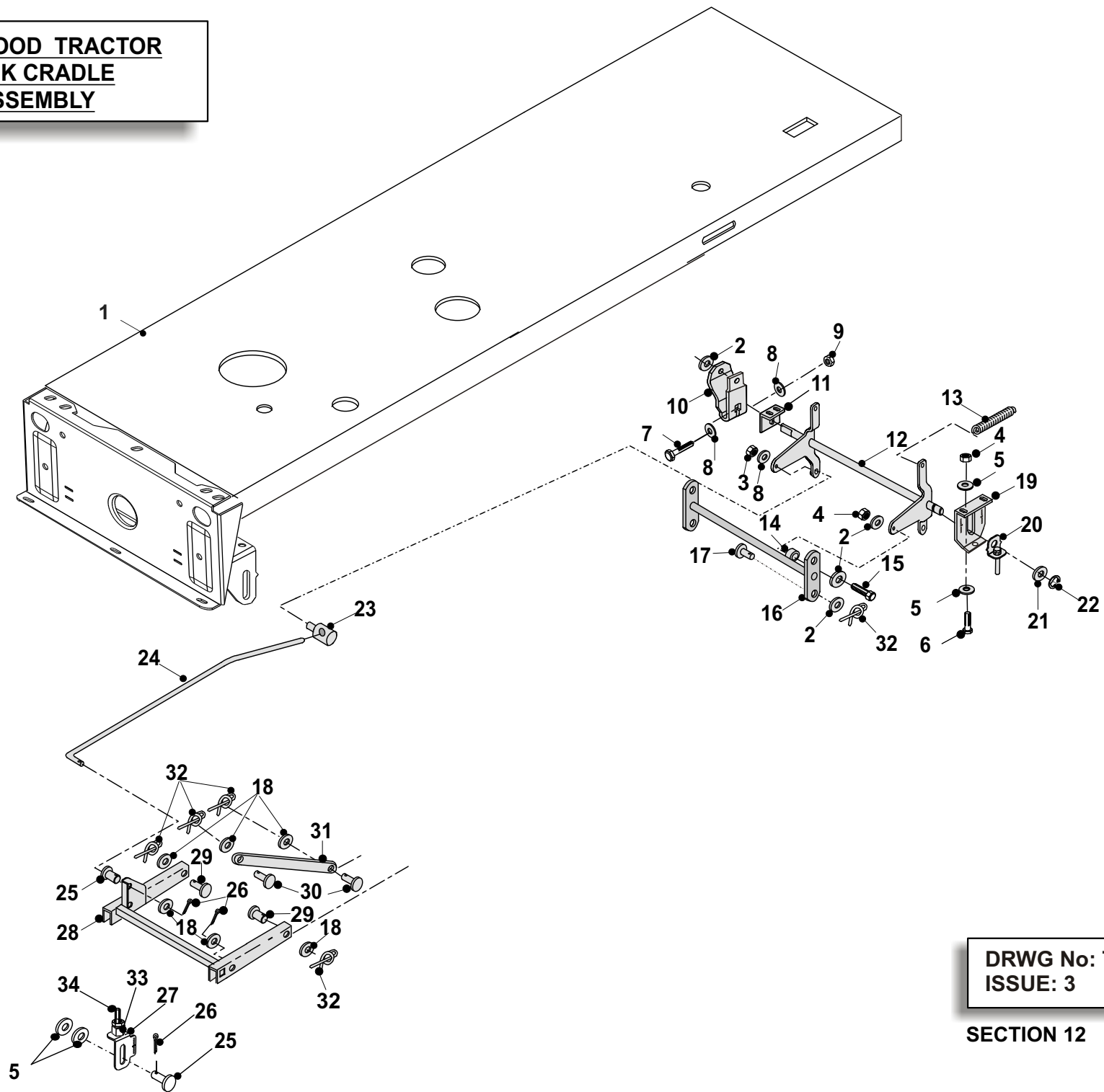
18.

**SERVICE DRWG:
ISSUE:**

WESTWOOD DECALS 2007
PARTS LIST

	PART DESCRIPTION	PART NUMBER
1.	Decal Westwood Badge	358026100
2.	Side Bonnet Decal `Westwood`	9370
3.	Decal S1300 Consul	358011400
	Decal S1600 Consul	358011600
	Decal T1600 Consul	358011800
	Decal T1800 Consul	358012000
	Decal T2000 Consul	358012200
4.	Instruction Decal	359506300
5.	Deck Height PTO Disengage Manual Decal	358034200
6.	DK Height / PTO Engage Rear Body Decal	358005602
7.	Sweeper Height Decal	35937601
8.	Mulcher Decal	35945901
9.	Decal - 92cm Deck Size	35931500
	Decal - 97cm Deck Size	35931600
	Decal - 107cm Deck Size	35931701
	Decal - 122cm Deck Size	35931800
10.	Handbrake Handle Badge	359505100
11.	Centre Clutch Switch Decal	358036000
12.	Headlight Switch Decal	358035900
13.	Throttle Choke Combined Decal	358035600
14.	Ignition Deck Height Decal	358035400
15.	Throttle & Choke Decal	358035500
16.	Display Decal	358035200
17.	Ignition Switch Decal	358035300
18.	Westwood Battery Charger Decal	359509400

**WESTWOOD TRACTOR
DECK CRADLE
ASSEMBLY**



**DRWG No: T1720503
ISSUE: 3**

SECTION 12

**WESTWOOD TRACTOR
DECK CRADLE ASSEMBLY**

	PART DESCRIPTION	PART NUMBER
2	Washer M8 x 25 x 3 unplated	089418600
3	M8 X 16mm M/Screw	028001000
4	M8 Nyloc Nut	04920100
5	M8 Washer	08819500
6	Bolt M8 x 20mm	02825900
7	M10 x 55 Hex Head Bolt	018002400
8	Washer 10.8 i.d. x 20.7 o.d x 2mm Thk	088002400
9	M10 Nut Nyloc	04886100
10	Lift Arm (20" Wheel Model)	301122401
11	Deck Hanging Bracket (Rear)	27102001
12	Deck Hanging Bar (Rear) Rear Deck Lift Cradle (H.E.)	327361700 328954100
13	Sweeper Lift Assist Spring	25908801
14	Spacer 9mm X 8.3mm id	31302700
15	M8 x 30mm Hx Hd Bolt Zinc Plt & Clear Passivated	018005700
16	Deck Lift Cradle Rear	328961100
17	Deck Lift Pin Rear	31337200
18	Washer M12 x 24 x 1.6	088003600
19	Rear Deck Level Bracket	301143700
20	Rear Deck Cradle Adjuster	327029300
21	Washer 19mm	08829900
22	M12 'E' Clip Plated	078000800
23	2002 Tractor Deck Level Trunnion	189497500
24	Height Adjuster Rod	18805900
25	Deck Lift Pin	31339400
26	Split Pin 1/8" x 1"	07823300
27	Deck Adjustment Plate	27115100
28	Deck Carrying (Front)	32703701
29	Deck Lift pin (Front)	31336800
30	Deck Push Rod Pin	31338200
31	Deck Bar 36" & 42"	29203900
	Deck Tension Arm 38"	29202400
	Deck Bar 48"	29203800
32	Rue Clip	16869202
33	Deck Level Adjuster Nut	189501801
34	M/Screw M10 x 60mm	018006600