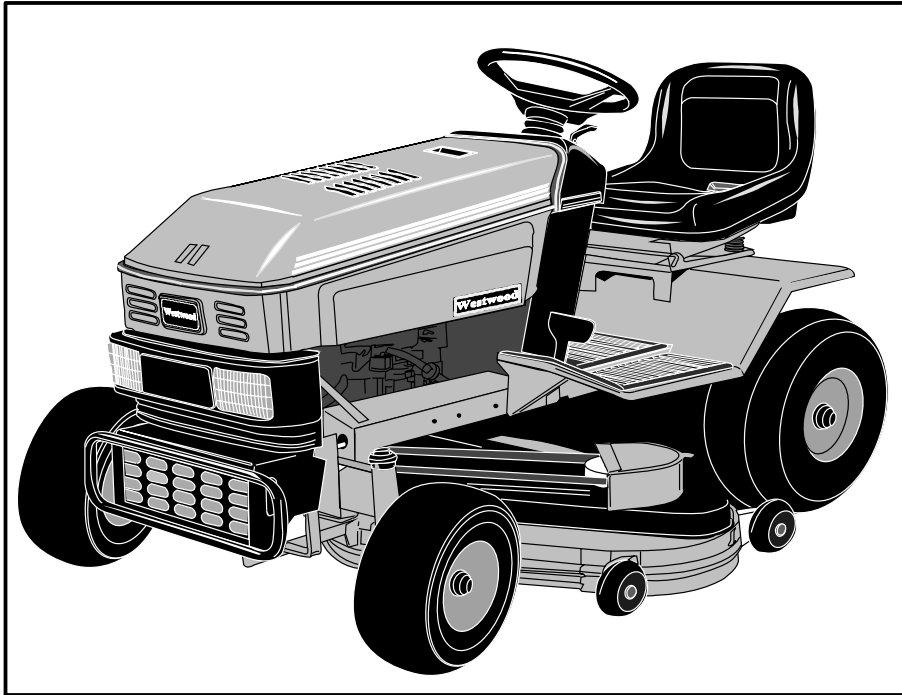


Westwood

WESTWOOD TRACTORS 2001 - 2002



SERVICE DRAWINGS & PARTS LIST INDEX

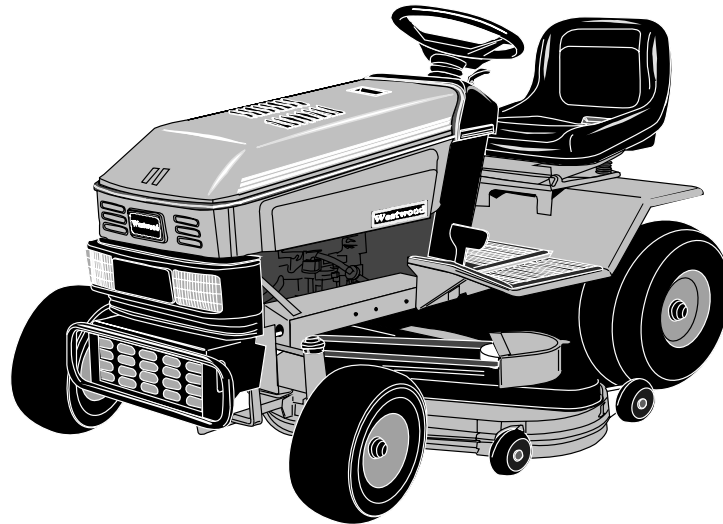
Westwood Tractors

Admail 3376,
Plymouth,
Devon
PL7 5ZY

Tel: +44 (0) 800 0720127
Fax: +44 (0) 800 0720132

sales@westwoodtractors.com
www.westwoodtractors.com

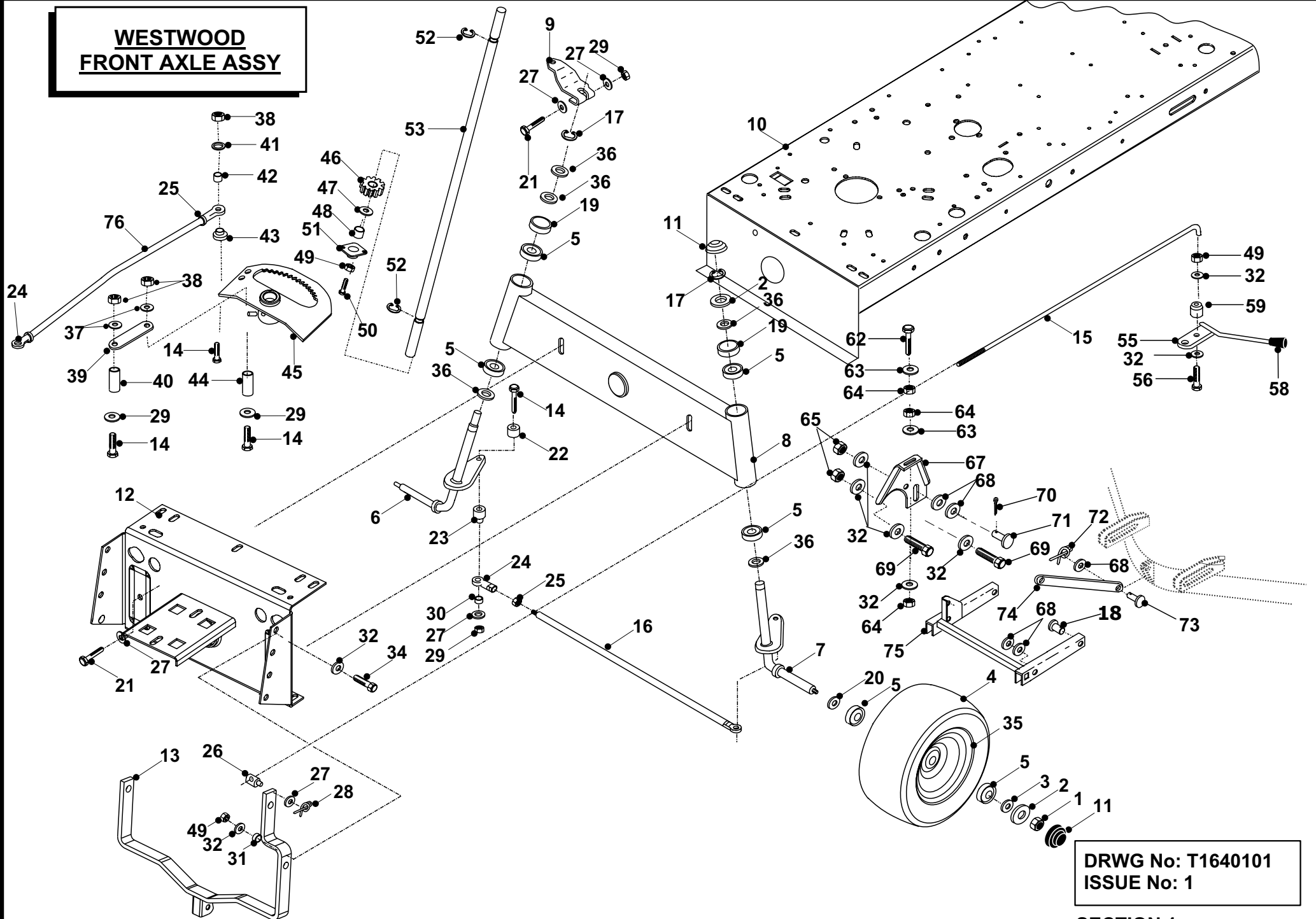
WESTWOOD TRACTORS 2001 - 2002



SERVICE DRAWINGS & PARTS LIST INDEX

SECTION 1	FRONT AXLE ASSY
SECTION 2A	BONNET ASSY
SECTION 2B	2002 BONNET ASSY
SECTION 3	ENGINE & EXHAUST ASSY
SECTION 4	PTO & TRANSMISSION DRIVE
SECTION 5	MANUAL TRANSAXLE
SECTION 6	HYDROSTATIC TRANSAXLE
SECTION 7	MAIN WIRING LOOM
SECTION 8	STEERING CONSUL ASSY
SECTION 9A	MANUAL REAR BODY ASSY
SECTION 9B	HYDROSTATIC REAR BODY ASSY
SECTION 10A	IBS CUTTER DECK
SECTION 10B	38" MULCHING DECK
SECTION 11	POWERED GRASS COLLECTOR
SECTION 12	POWERED GRASS COLLECTOR NET
SECTION 12A	POWERED GRASS COLLECTOR NET 2002
ACCESSORIES:	SCARIFIER ASSY
ACCESSORIES:	CHIPPER SHREDDER ASSY
SECTION 15	44" MULCHING DECK (EXPORT ONLY)

**WESTWOOD
FRONT AXLE ASSY**



**DRWG No: T1640101
ISSUE No: 1**

SECTION 1

**WESTWOOD TRACTOR
FRONT AXLE PARTS LIST**

	PART DESCRIPTION	PART NUMBER
1	Nyloc Nut 1/2" UNF	04822400
2	Washer 46mm x 13mm I.D.	30128100
3	Washer 1" x 1/2" I.D,	08822500
4	Front Tyre	19802800
	Valve	14889200
5	Bearing 62032RS 3/4"	10802200
6	Stub Axle R/H	327015200
7	Stub Axle L/H Short	327015100
8	Front Axle Beam	327014700
9	Steering Arm	32702500
10	Chassis	32702402
11	Hub Cap	14811800
12	Chassis Front	27115550
13	Deck Tension Cradle	327009800
14	Bolt 3/8" UNF X 3 1/2"	01821700
15	Deck Tension Rod	31805600
16	Track Rod	31318300
17	E-Clip	07921200
18	.Deck Lift Pin (Front)	31336800
19	Stub Axle Spacer	30127900
20	Washer 3/4" T3 LP	08822900
21	Bolt 3/8" UNF X 2 1/4"	01821500
22	Rose Joint Boss	31302400
23	Rose Joint Shoulder Boss Long	31337100
24	Rod Joint 10mm	10872600
25	Locknut M10	04872100
26	Deck Tension Rod Trunnion	18805500
27	Washer 3/8" T3 HP	08820100
28	Rue Clip	11836700
29	Nyloc Nut 3/8" UNF	04820200
30	Spacer 7mm x 10mm I.D.	31302900
31	Spacer 9mm x 8.3mm I.D	31302700
32	Washer 5/16" T4 HP	08819700
34	Bolt 5/16" UNF X 1"	02819600
35	Front Rim & Hub	32701100
36	Washer 32mm x 91.51 I.D.	30127900
37	Washer 3/8" T3 HP	08820100
38	Nut Nyloc 3/8" UNF	04820200
39	Steering Link Plate	27102400
40	Steering Support Boss	31337500
41	Washer 3/8" T3 HP	08820100
42	Spacer 3/8" Internal x 7mm	31302900

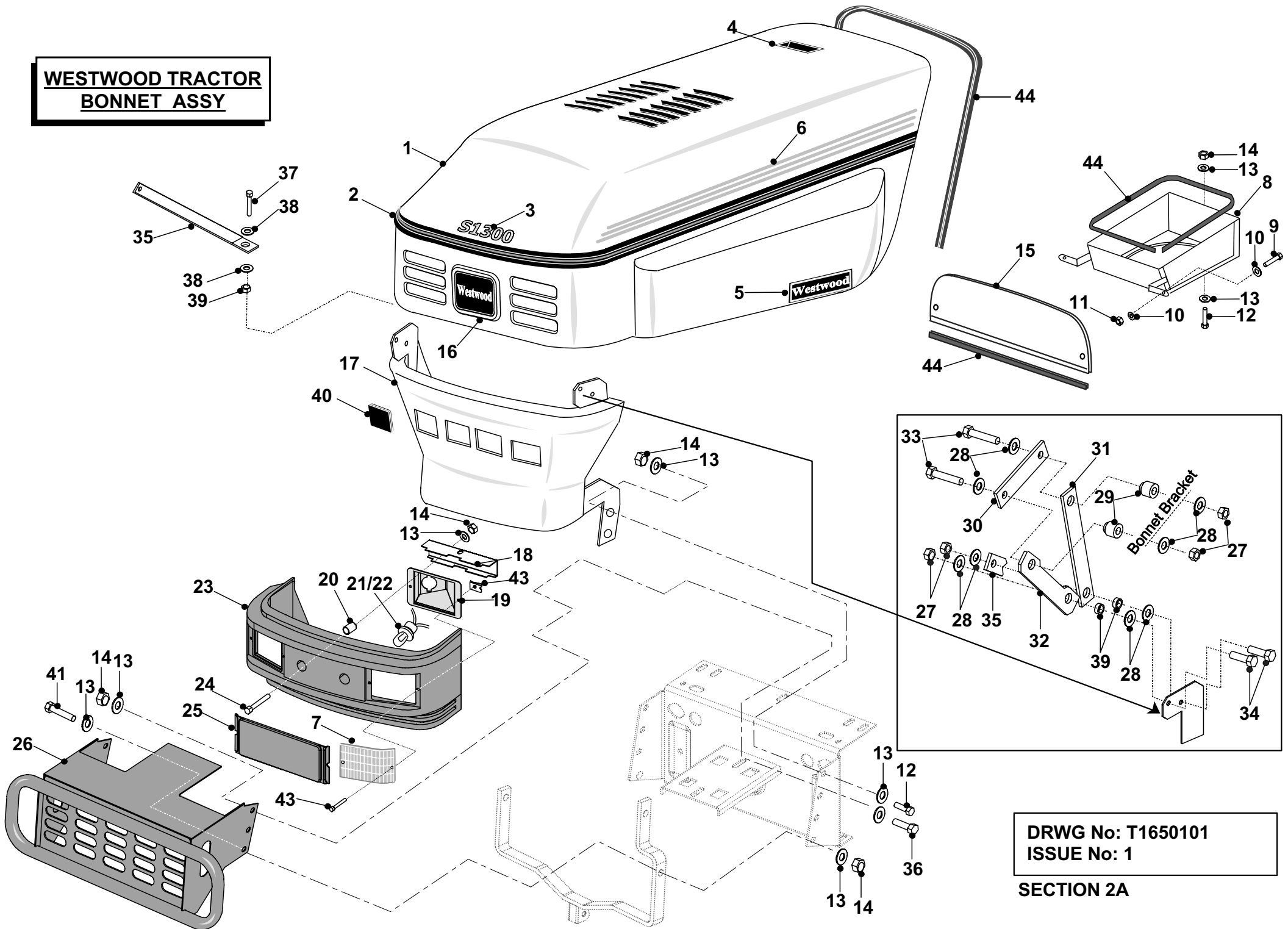
**WESTWOOD TRACTOR
FRONT AXLE PARTS LIST**

	PART DESCRIPTION	PART NUMBER
43	Rose Joint Shoulder Support Boss	31339600
44	Steering Rack Pivot	31337400
45	Steering Quadrant 17t	327015700
46	Steering Pinion 12t	213112100
47	Washer 5/8" T3 LP	08822700
48	Steering Rod Spacer	18401500
49	Nut Nyloc 5/16" UNF	04827500
50	Bolt 5/16" UNF x 3/4"	02827600
51	Column Lower Bearing	10801700
52	E-Clip 5/8"	07823400
53	Steering Column	31328400
55	Deck Tension Lever	32700600
56	Bolt 5/16" Unf x 1.3/4"	01820800
58	Black End Cap	14946200
59	Deck Overlock Pivot	18833700
60	Washer 5/16" T4 HP	08819700
62	Bolt M8 x 70mm	01850700
63	Washer Shakeproof 5/16" UNF	08823500
64	Nut Nyloc M8	04822300
65	Nut 5/16" UNF Nyloc	04827500
66	Washer 5/16" T4 HP	08819700
67	Deck Adjustment Plate	27115100
68	Washer 1/2" T3 LP	08822500
69	Bolt 5/16" UNF x 3/4"	02827600
70	Split Pin 1/8" x 1"	07823200
71	Deck Lift Pin	31339400
72	Rue Clip	11836700
73	Deck Push Rod Pin	31338200
74	Deck Tension Bar 36"	29203900
	Deck Tension Bar 48"	29202400
	Dec Tension Bar 38" Mulcher	29203700
75	Deck Carrying (Front)	32703700
76	Steering Link Rod	313007800

MAY 2001

SECTION 1

**WESTWOOD TRACTOR
BONNET ASSY**



DRWG No: T1650101
ISSUE No: 1

SECTION 2A

**D18/50 TRACTOR
CONSOL ASSEMBLY PARTS LIST**

	PART DESCRIPTION	PART NUMBER
1	Steering Wheel Cap	14938700
2	Bolt 5/16" UNF x 1"	02819600
4	Steering Wheel	14928200
5	Upper Left Insert (not illustrated)	148012900
	Upper Right Insert (not illustrated)	148013000
	Lower Left Insert (not illustrated)	148013100
	Lower Right Insert (not illustrated)	148013200
7	Decal Facia Deck / Net / Headlight	358031500
8	Decal Facia Dash Display	358027100
9	Decal Facia Ignition	358026600
10	Decal Facia Throttle	358026900
11	Decal Facia Clutch / Sweeper / Choke	358031000
12	Knee Pad R/H	14859200
13	Knee Pad L/H	14859300
14	Consol	321124600
15	Bolt 5/16" UNF x 3/4"	02827600
16	Washer 5/16" T4 HP	08819700
17	Nyloc Nut 5/16" UNF	04827500
18	Steel Steering Pipes (Kit - two pieces)	178965202
19	Steering Column	277081600
24	Battery Clamp	301007400
25	Screw Bolt M5	02885800
26	Captive Nut M5	04928600
27	Washer 5/16" Shakeproof	08855100
29	Fuel Feed Pipe - 40cm	14803200
30	Jubilee Clip	11856900
31	Fuel Tank Cap	52803100
31a	Fuel Decal	358008500
32	Fuel Tank & Fuse Box Bracket	307187400
33	Fuse Box	301139400
34	Consol Top	148012800
35	Rivet 4.8mm x 10 mm	12824400
36	Screw M4 x 12mm Pozi Pan	02826300
37	Control Lever Knob	14810400
38	Washer M4	08826200
39	Nyloc Nut M4	04826400

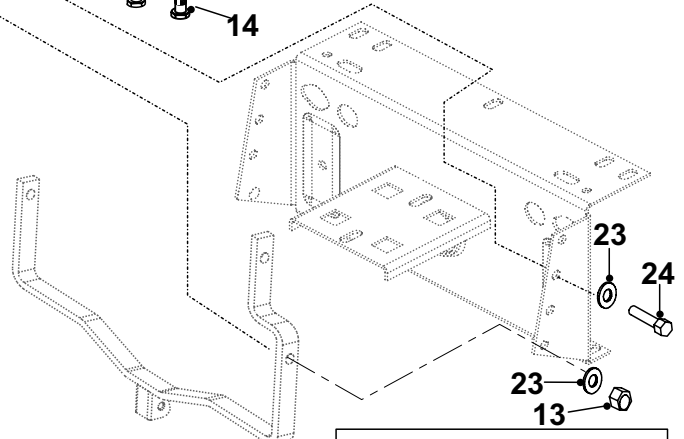
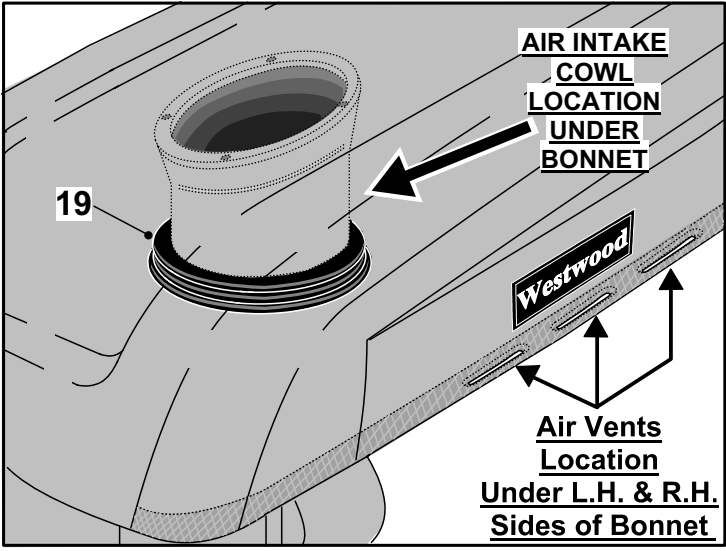
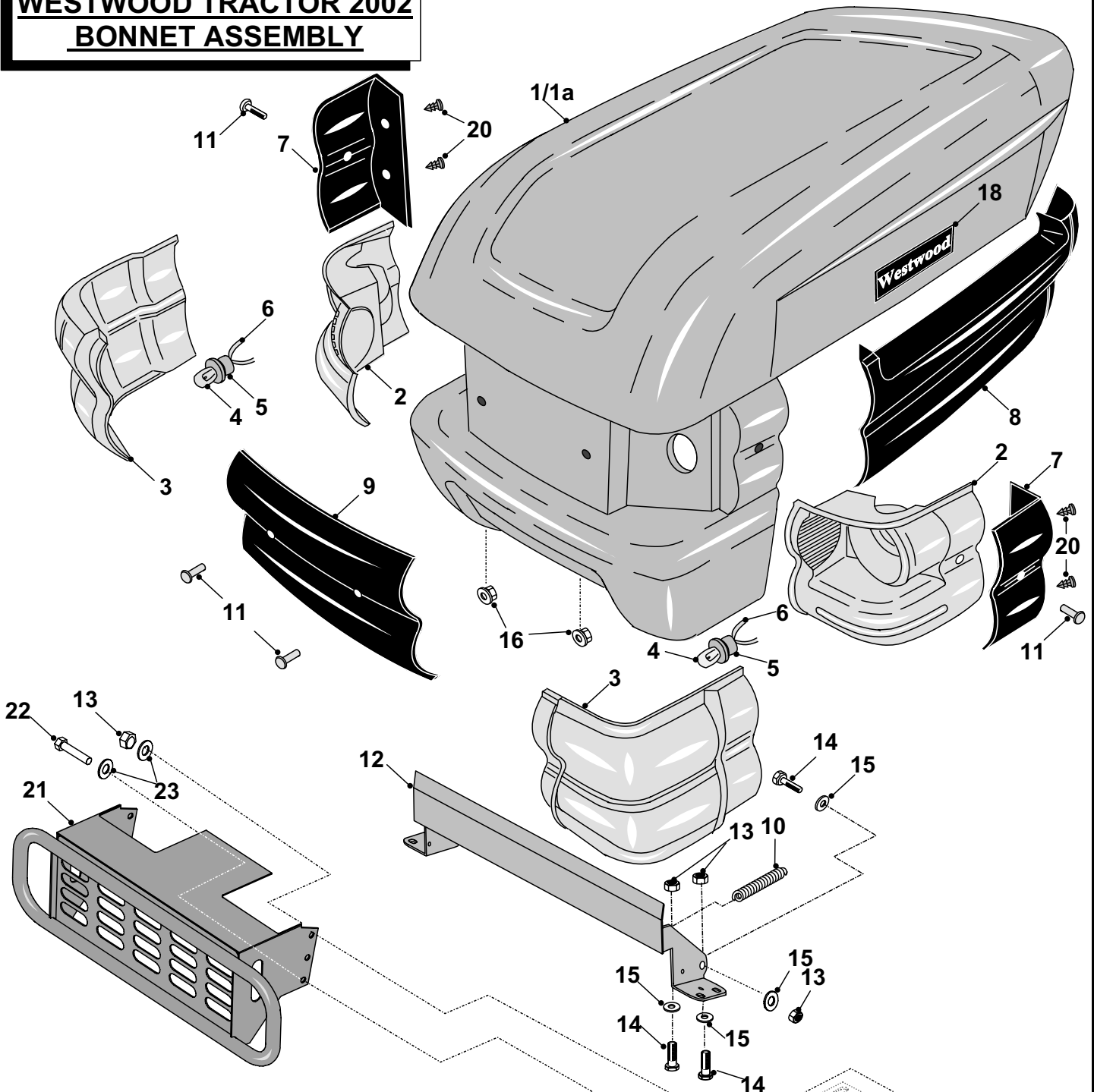
MARCH 2003

SECTION 2

**D18/50 TRACTOR CONSOL
ASSEMBLY PARTS LIST**

	PART DESCRIPTION	PART NUMBER
40	Fuel Tank	14803000
40a	Diesel Return Pipe	528004200
41	No6 x 8mm Screw	02913100
42	M5 Cage Nut	04936800
44	Steering Orbital	529469100
45	Orbital Bracket	301120800
46	Orbital Plate	301120700
47	Relay Mounting Plate	301069200
49	Screw M4 x 10mm	02847800
50	Nut M4 Nyloc	04826400
51	Washer 4mm	08826200
52	Throttle Control	52913200
53	Rivet 3.2mm x 10mm	12863100
55	Bolt 3/8" UNF x 2.1/2"	01821600
56	Washer 3/8" T3 HP	08820100
57	Steering Pipe Flexible - Left	178965400
58	Steering Pipe Flexible - Right	178965300
59	M6 Nut	04920500
60	M6 Washer	088000300
61	M6 Bolt	028662300
62	M8 Nut	04920100
63	M8 Washer	088000200
64	M8 Bolt	01864800
65	Steering Cylinder	178965100
66	Printed Circuit Board Printed Circuit Board (H.E.)	448009401 448010100
67	PCB Splash Cover	149499100
68	Socket Head Screw	019479500

**WESTWOOD TRACTOR 2002
BONNET ASSEMBLY**



**DRWG: T2000302
ISSUE: 2**

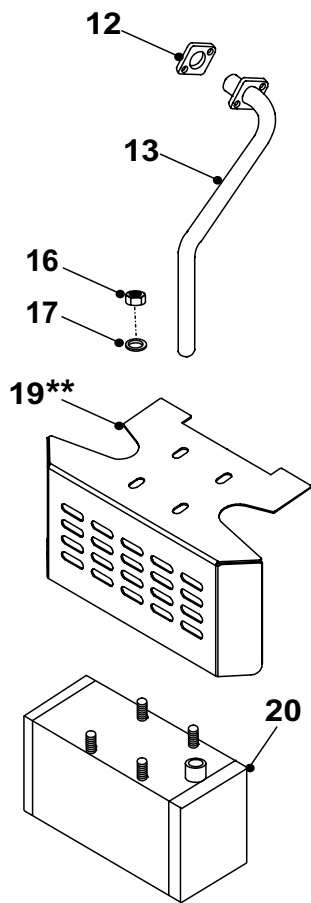
SECTION 2B

**WESTWOOD TRACTOR 2002
BONNET ASSEMBLY PARTS LIST**

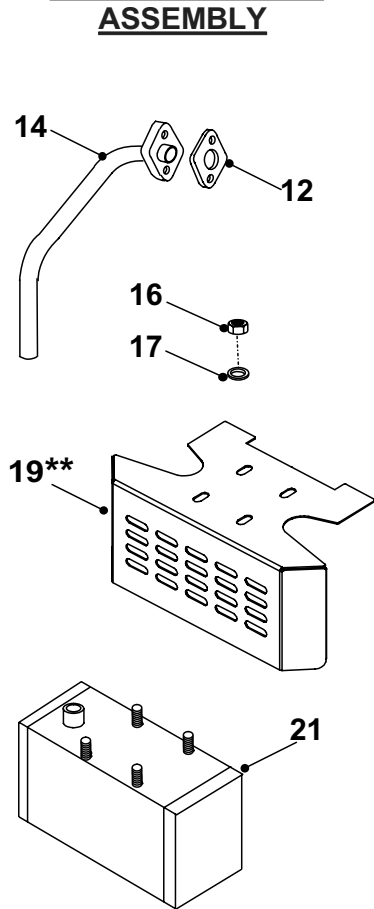
	PART DESCRIPTION	PART NUMBER
1	Bonnet Assembly Complete (includes items 1a, 2, 3, 4, 5, 6, 7, 9, 11, 16, 18, 19 & 20) Models S1300 & S1400 Model S1600 Models T1600 & T1800	408020200 408020300 408020400
1a	Bonnet	148012100
2	Headlamp Reflector (L/H)	148011400
	Headlamp Reflector (R/H)	148011500
3	Headlamp Lens (L/H)	148011200
	Headlamp Lens (R/H)	148011300
4	Bulb 12V 21W	44816200
5	Bulb Holder	44816100
6	Light Loom	44813900
7	Fixing Panel (L/H)	148011700
	Fixing Panel (R/H)	148011800
8	Engine Side Panel (L/H)	148011900
	Engine Side Panel (R/H)	148012000
9	Front Fixing Panel	148011600
10	Bonnet Spring	25805200
11	Bolt Flanged Button Head M5 x 25mm	018003700
12	Bonnet Hinge	327181400
13	M8 Nyloc Nut	04822300
14	Bolt M8 x 25mm	01902300
15	Washer M8	088000200
16	Jacknut M5	048001400
17	Bonnet Pivot Boss (Not Illustrated)	31306100
18	Side Bonnet Decal `Westwood`	358026100
19	Cowl Trim	4832
20	Fir Tree Fixing	148012300
21	Bullbar Assembly	327174900
22	Bolt 5/16" UNF x 1.1/4" BZP	01820600
23	Washer 5/16" UNF	08869300
24	Hex Head Screw 5/16" UNF x 1"	02819600

**WESTWOOD TRACTOR
BRIGGS & STRATTON
ENGINE & EXHAUST
ASSEMBLY**

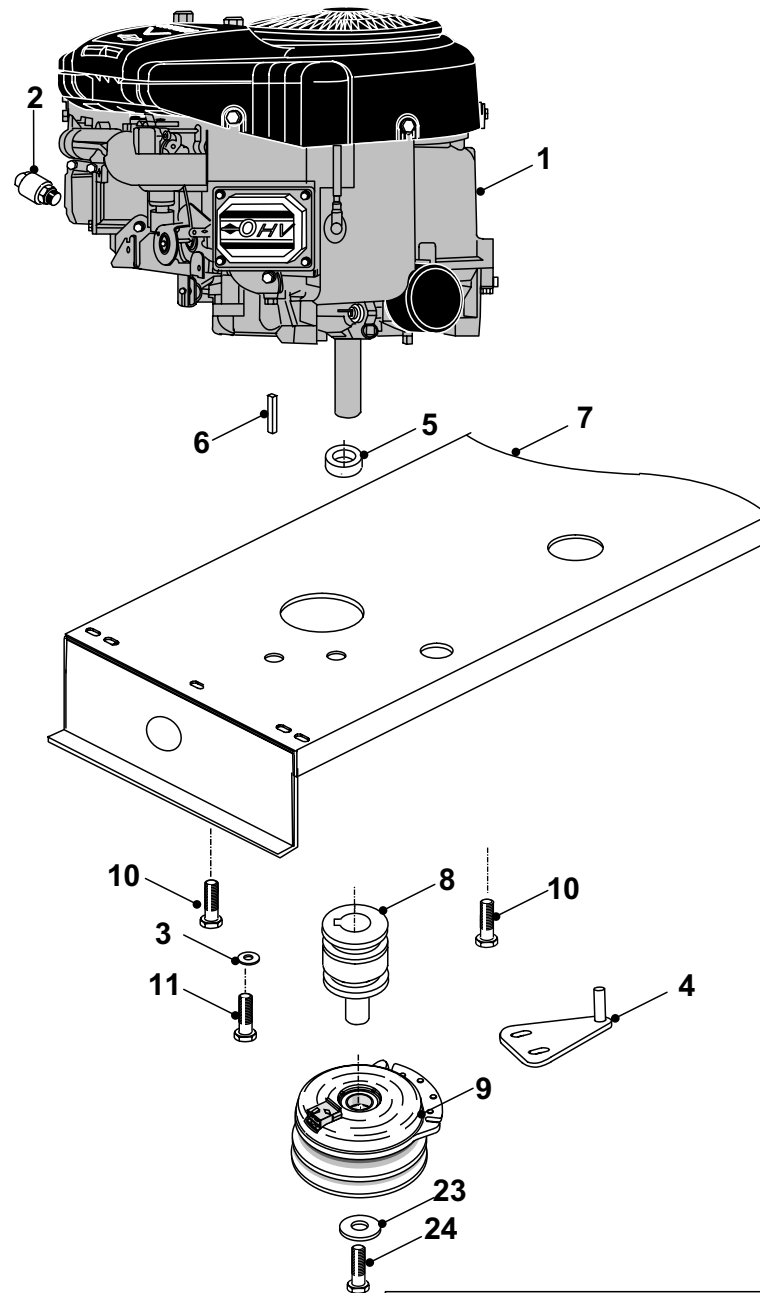
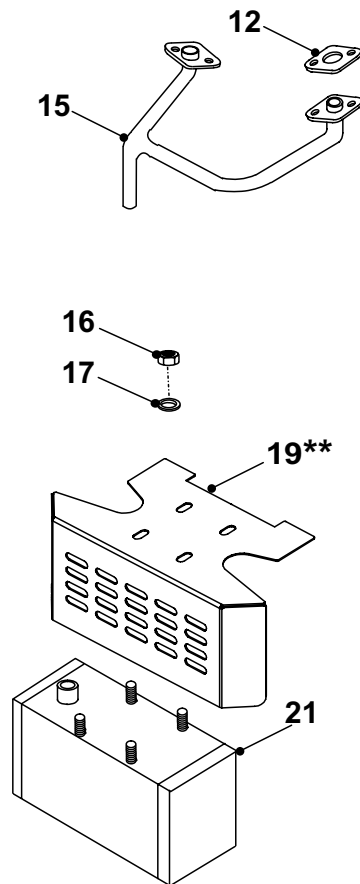
**S1300
SINGLE EXHAUST
ASSEMBLY**



**S1600
SINGLE EXHAUST
ASSEMBLY**



**TWIN EXHAUST
ASSEMBLY**



****No Longer Used from May 2002**

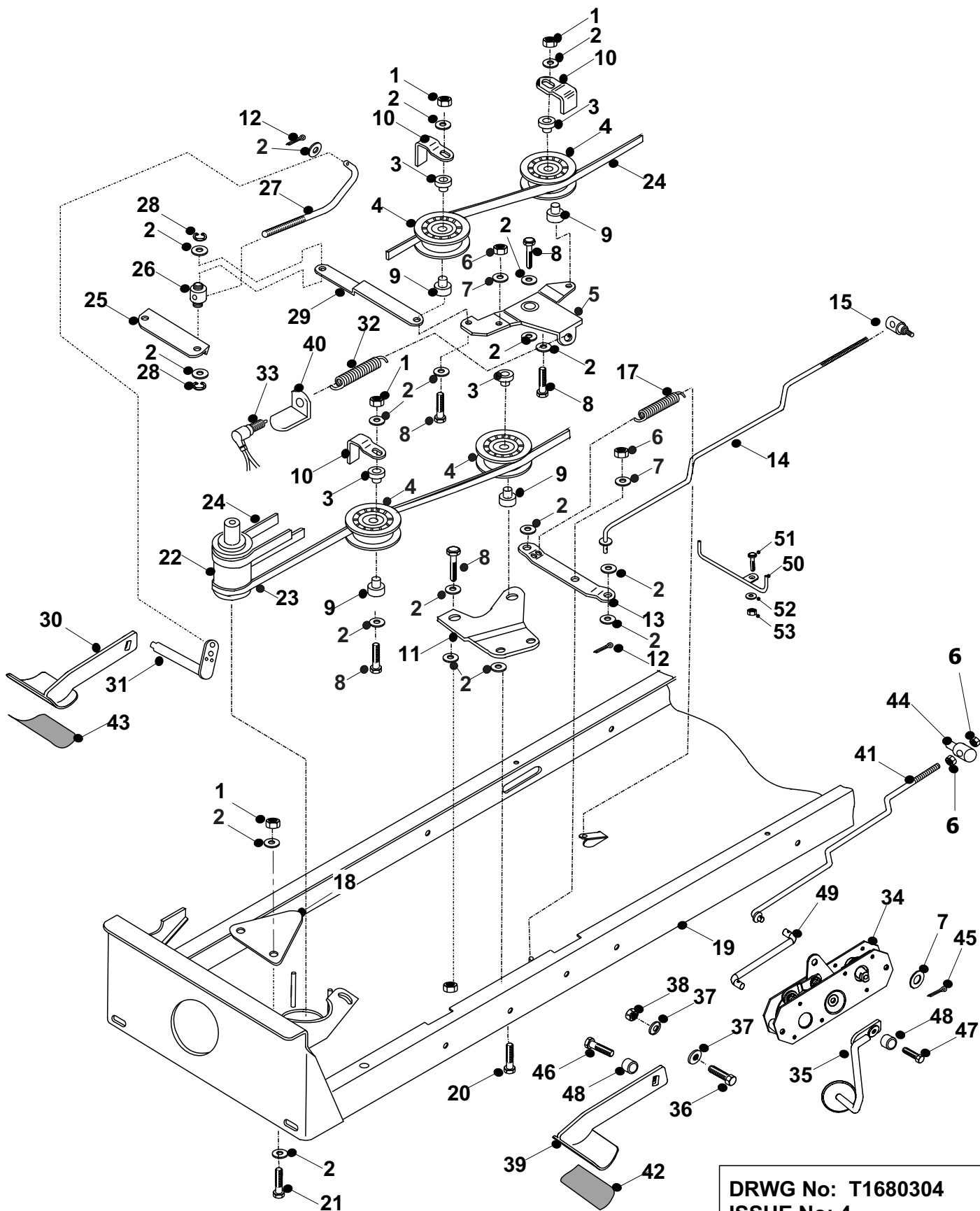
DRWG No : T1660302
ISSUE No : 2

SECTION 3

**WESTWOOD TRACTOR
ENGINE & EXHAUST
PARTS LIST**

	PART DESCRIPTION	PART NUMBER
1	Engine - Not Available From Westwood	N/A
2	Oil Drain Valve	52851200
3	Washer 5/16" T4 HP	08819700
4	Clutch Plate	302007000
5	Engine Pulley Spacer	31854000
6	Key 1/4" Square x 1.1/4"	09853400
7	Chassis	32702402
8	Engine Pulley	31330502
9	Mag Stop Electric Clutch	44936100
10	Bolt 3/8" UNC x 1.1/4"	01848700
11	Bolt 5/16" UNF x 1.1/2"	01820700
12	Exhaust Gasket (Supplied by Briggs & Stratton)	N/A
13	Exhaust Pipe (S1300)	327360400
14	Exhaust Pipe (S1600)	327360500
15	Exhaust Manifold (Twin Cylinder)	327175500
16	Nut M8	04852100
17	Washer 5/16" x 7/8" LP	08832100
19	Exhaust Cover (** No Longer Used from May 2002)	307176000
20	Exhaust Box (S1300)	529469200
21	Exhaust Box (S1600 & Twin Cylinder)	529469200
23	Clutch Spacer	31330300
24	Bolt 7/16" UNF x 4.1/2"	01831000

**WESTWOOD TRACTOR
P.T.O & TRANSMISSION
DRIVE ASSEMBLY**



**DRWG No: T1680304
ISSUE No: 4**

SECTION 4

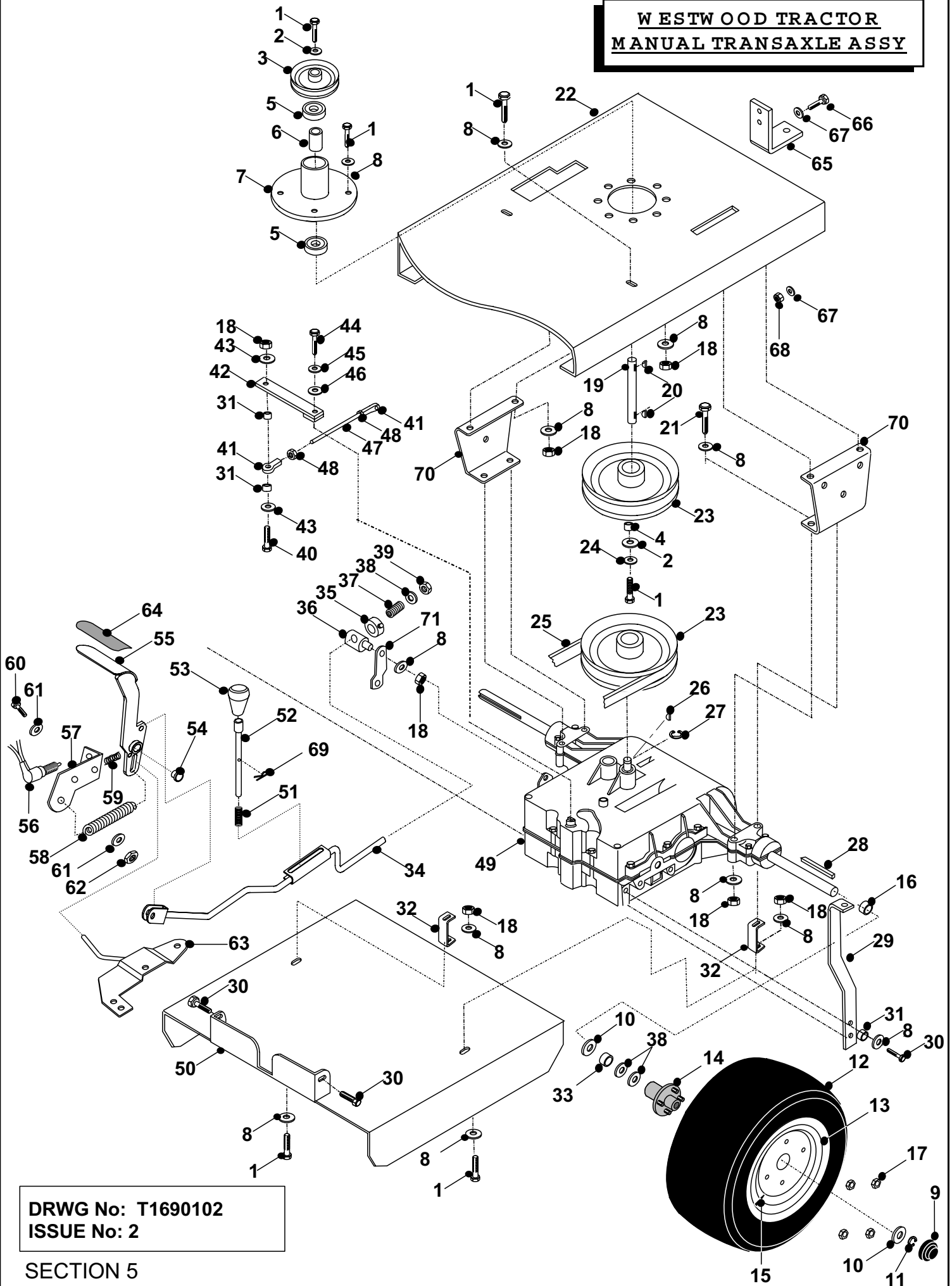
**WESTWOOD TRACTOR
P.T.O. & TRANSMISSION DRIVE.
ASSEMBLY PARTS LIST**

	PART DESCRIPTION	PART NUMBER
1	Nut 5/16" UNF Nyloc	04827500
2	Washer 5/16" T4 HP	08819700
3	Jockey Pulley Spacer	18831600
4	Jockey Pulley	20811500
5	Transmission Pulley Carrier Plate	327020500
6	Nut 3/8" UNF Nyloc	04820200
7	Washer 3/8" T3 LP	08820100
8	Bolt 5/16" UNF X 2"	01820900
9	Jockey Cap Boss	31351100
10	Belt Retaining Bracket	27105800
11	P.T.O. Swivel Plate	327012900
12	Split Pin 1/8" X 1"	06823300
13	P.T.O. Connecting Bar	27103800
14	P.T.O. Engage Rod	32708701
15	P.T.O. Engage Rod Trunnion	18806100
17	Belt Tension Spring	25849600
18	Clutch Bracket	302007000
19	Chassis	32702402
20	Bolt 5/16" UNF X 1 3/4"	01820801
21	Bolt 5/16" UNF X 3/4"	02827600
22	Engine Pulley Magstop	31330502
23	ENG / PTO Belt Dayco A82	2281110A
24	ENG / TRANS Belt Dayco A79	229503400
25	Upper Clutch Link Arm	301046800
26	P.T.O. Engage Rod Trunnion	18806100
27	Clutch Link Rod	313009500
28	E-Clip	07921200
29	Clutch Link Arm	301069700
30	Brake Pedal	307174000
31	Clutch Pedal Shaft	327020300
32	Safety Switch Spring	25813801
33	Safety Switch	44813400
34	Transmission Cassette	405006000
35	Reverse Pedal	327173800
36	Screw 5/16 x 1" UNF	01820700

**WESTWOOD TRACTOR
P.T.O. & TRANSMISSION DRIVE
ASSEMBLY PARTS LIST**

37	Washer 5/16" T4 HP	08819700
38	Nut M8 Nyloc `T`	04920100
39	Forward Pedal	327174000
40	Safety Switch Mounting Plate	302005400
41	Forward / Reverse Rod	327021100
42	RH Rubber Pedal Pad	149496900
43	LH Rubber Pedal Pad	149496800
44	Trunnion	183017301
45	Split Pin 1" x 1/8"	06823300
46	Screw 1" x 1/4"	01844700
47	Screw 3/4" x 1/4"	01886500
48	Pedal Spacer	321123400
49	Cassette Link Rod	327175600

**WESTWOOD TRACTOR
MANUAL TRANSAXLE ASSY**



**DRWG No: T1690102
ISSUE No: 2**

SECTION 5

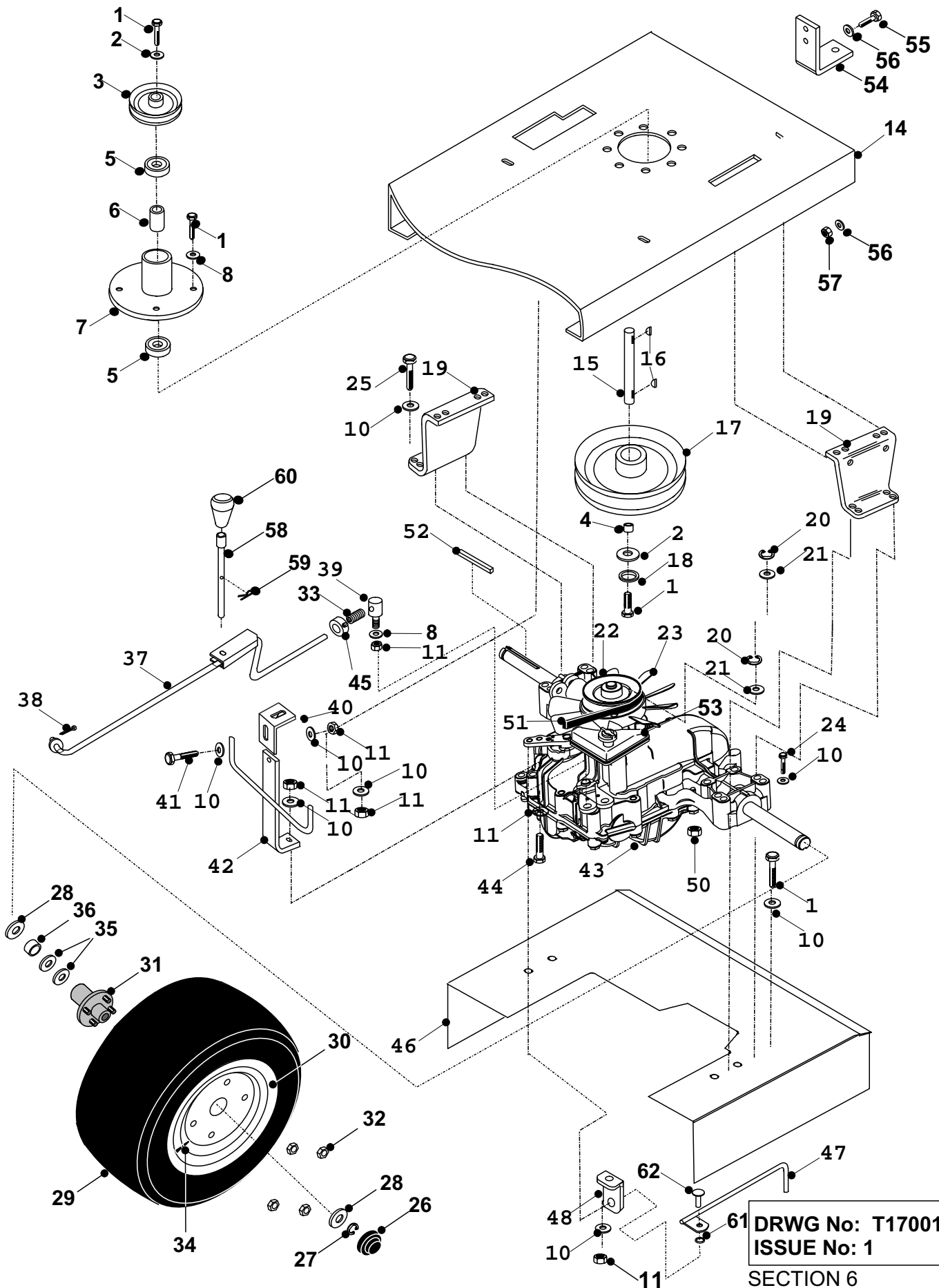
WESTWOOD TRACTOR
MANUAL TRANSAXLE
PARTS LIST

	PART DESCRIPTION	PART NUMBER
1	Bolt 5/16"UNF x 3/4"	02827600
2	Washer 5/16" I.D. x 1" O.D.	08819800
3	Pulley 3"	327010300
4	P.T.O. End Spacer	31306200
5	Bearing 62032RS	10811600
6	P.T.O. Centre Spacer	31334800
7	P.T.O. Bearing Housing Complete	40835800
8	Washer 5/16" T4 HP	08819700
9	Hub Cap	14811800
10	Washer 46mm x 19.5mm	30127800
11	E - Clip 3/4"	07823200
12	20" Rear Tyre	19802800
13	Rear Wheel Rim	198001100
	Grease Nipple 45 Degrees	11848800
	`O' Ring	24898700
	Washer 5/16" Shakeproof	08823500
14	Hub with Studs & Nuts	198002000
15	Valve	14889200
16	Transaxle Spacer	31305000
17	Wheel Nut	048000800
18	Nyloc Nut 5/16" UNF	04827500
19	P.T.O. Shaft	31306000
20	Woodruff Key No. 605	09835300
21	Bolt 5/16" UNF x 2 1/2"	01821100
22	Chassis	32702402
23	Pulley 7"	20870700
24	Washer 5/16" Shakeproof	08855100
25	ENG / TRANS Belt (Manual)	2281110A
26	Woodruff Key 606	09823900
27	Circlip 5/8"	07823800
28	Key 3/16" x 2"	09830700
29	Transaxle Support Bracket	292005600
30	Screw 5/16" Taptite Tri - Lock	02822100
31	Spacer 5/16" x 7mm	31302800
32	Transaxle Deflector Bracket	27122700
33	Wheel Spacer	31324900
34	Brake Rod	32711500
35	Locknut 3/8" UNF	04821400

WESTWOOD TRACTOR
MANUAL TRANSAXLE
PARTS LIST

	PART DESCRIPTION	PART NUMBER
36	Brake Rod Trunnion	18849900
37	Brake Rod Spring	25808300
38	Washer 3/8" T3 HP	08820100
39	Nut 3/8" UNF Nyloc	04820200
40	Bolt 5/16" UNF x 1 3/4"	01820800
41	Rod End M8	10896200
42	Gear Select Plate	32702300
43	Washer 5/16" T3 LP	08819500
44	Bolt 1/4" UNF x 3/4"	01827700
45	Shakeproof Washer 1/4"	08825700
46	Washer 1/4" T3 LP	08827800
47	Gear Select Adjustment Rod	31301600
48	Locknut M8	04822300
49	Tecumseh Manual 6 Speed Transaxle	NSS
50	Transaxle Deflector	303071001
51	Park Brake Spring	25805000
52	Park Brake Rod	31305900
53	Lever Knob	14804800
54	Oillite Bush Flange	52826500
55	Foot Pedal	327173900
56	Safety Switch	44813400
57	Safety Switch Bracket	307174400
58	Spring Brake Rod	258000400
59	Spring Safety Switch	25813801
60	Screw 5/16" UNF x 3/4"	02827600
61	Washer 5/16" T4 HP	08819700
62	Nut 5/16" UNF Nyloc	04827500
63	Jockey Pulley Plate	32706402
64	Pedal Pad	149496900
65	Tow Bracket	29200101
66	Bolt M10	01915300
67	Washer M10	08801300
68	Nut M10	04872100
69	R. Clip	06849100
70	Transaxle Mounting Bracket	30131600
71	Brake Extension Bracket	30138500

WESTWOOD TRACTOR HYDROSTATIC TRANSAXLE



DRWG No: T1700101
ISSUE No: 1

SECTION 6

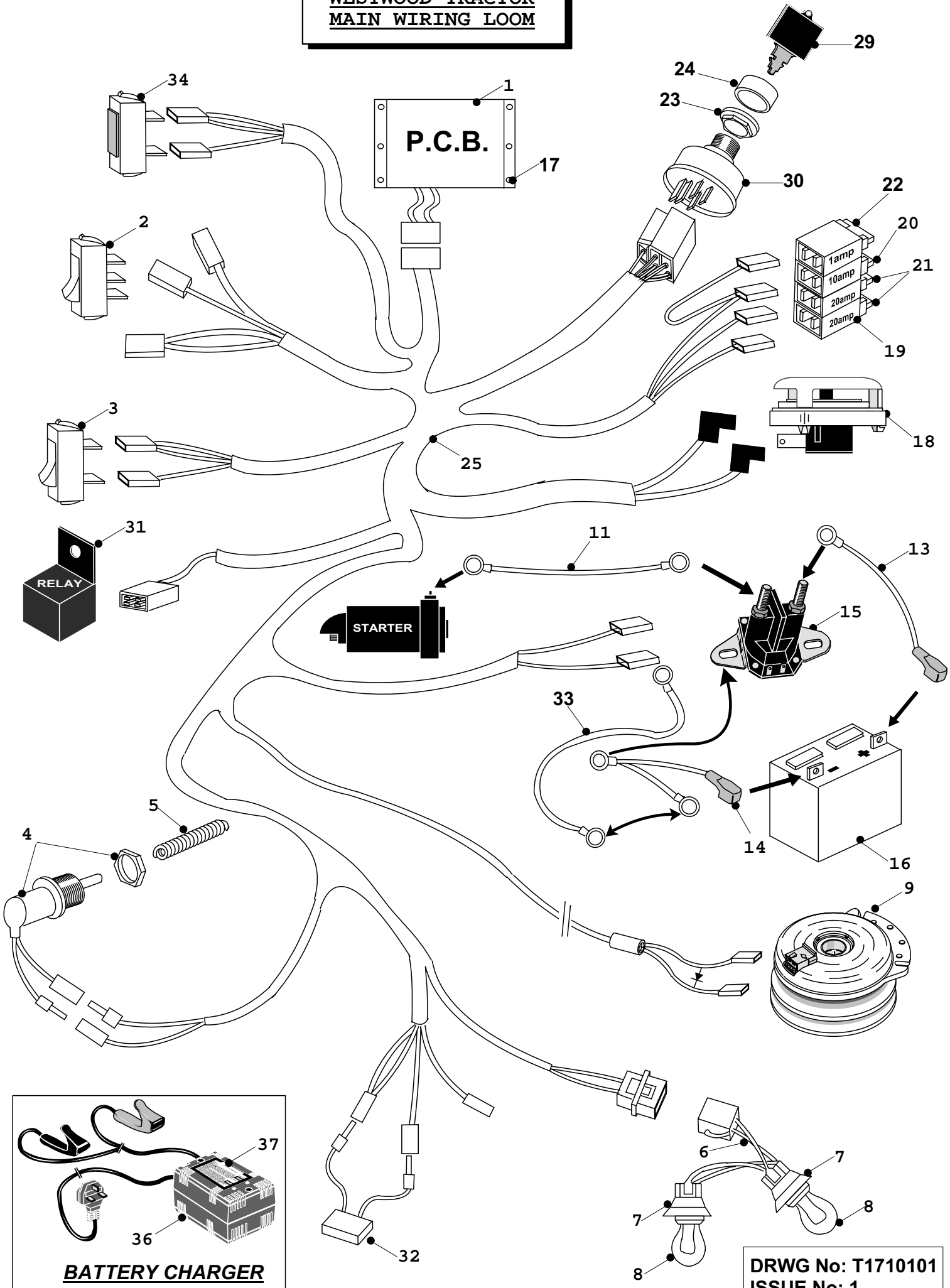
**WESTWOOD TRACTOR
HYDROSTATIC TRANSAXLE
PARTS LIST**

	PART DESCRIPTION	PART NUMBER
1	Bolt 5/16"UNF x 1"	02819600
2	Washer 5/16" I.D. X 1" O.D.	08819800
3	Pulley 3"	327010300
4	P.T.O. End Spacer	31306200
5	Bearing 62032RS	10811600
6	P.T.O. Centre Spacer	31334800
7	P.T.O. Bearing Housing Complete	40835800
8	Washer 5/16" T3 LP	08819500
10	Washer 5/16" T4 HP	08819700
11	Nut 5/6" UNF Nyloc	04827500
14	Chassis	32702450
15	P.T.O. Shaft	31306000
16	Key Woodruff No. 605	09823900
17	Pulley 7"	20870700
18	Washer 5/16" Shakeproof	08855100
19	Hydrostatic Transaxle Mounting Bracket	307025900
20	Circlip 14 mm External	07906600
21	Washer 9/16" T4 LP	08917800
22	Pulley	40506700
23	Fan – K46 Transaxle	148007800
24	Bolt 5/16"UNF X 2 1/2"	01821100
25	Bolt 5/16"UNF X 3"	01832300
26	Hub Cap	14811800
27	Circlip 19 mm External	07921200
28	Thrust Washer	307191800
29	20" Rear Tyre	198002800
30	Rear Wheel Rim	198001100
	Grease Nipple 45 Degrees	11848800
	`O' Ring	24898700
	Washer 5/16" Shakeproof	08823500
31	Hub with Studs & Nuts	198002000
32	Wheel Nut	048000800
33	Brake Rod Spring	258000400
34	Valve	14889200
35	Washer 3/4" T3 LP	08822900
36	Wheel Spacer	189498700
37	Brake Rod	327174100
38	Split Pin 1/8" x 1"	06823300

**WESTWOOD TRACTOR
HYDROSTATIC TRANSAXLE
PARTS LIST**

	PART DESCRIPTION	PART NUMBER
39	Brake Rod Trunnion	183017400
40	Torque Bracket	30137700
41	Bolt 5/16"UNF X 1"	02819600
42	Transaxle Steady	313009400
43	Tuff Torq K46 Transaxle	478000301
44	Bolt 5/16"UNF X 2"	01820900
45	Spring Stop Collar	31320400
46	Transaxle Deflector	303071001
47	Dump Valve Rod	321123301
48	Dump Rod Bracket	303071400
50	Nut M4 Nyloc	04917100
51	Belt Dayco A79	229503400
52	Key 2" x 3/16"	09830700
53	Reservoir Tank	148007700
54	Tow bracket	29200101
55	Bolt M10	01915300
56	Washer M10	088001300
57	Nut M10	04872100
58	Park Brake Pin Rod	31305900
59	R-Clip	06849100
60	Lever Knob	14804800
61	Starlock Washer 1/4"	08868700
62	Flat Head Rivet 1/4" x 1/2"	12855800

**WESTWOOD TRACTOR
MAIN WIRING LOOM**



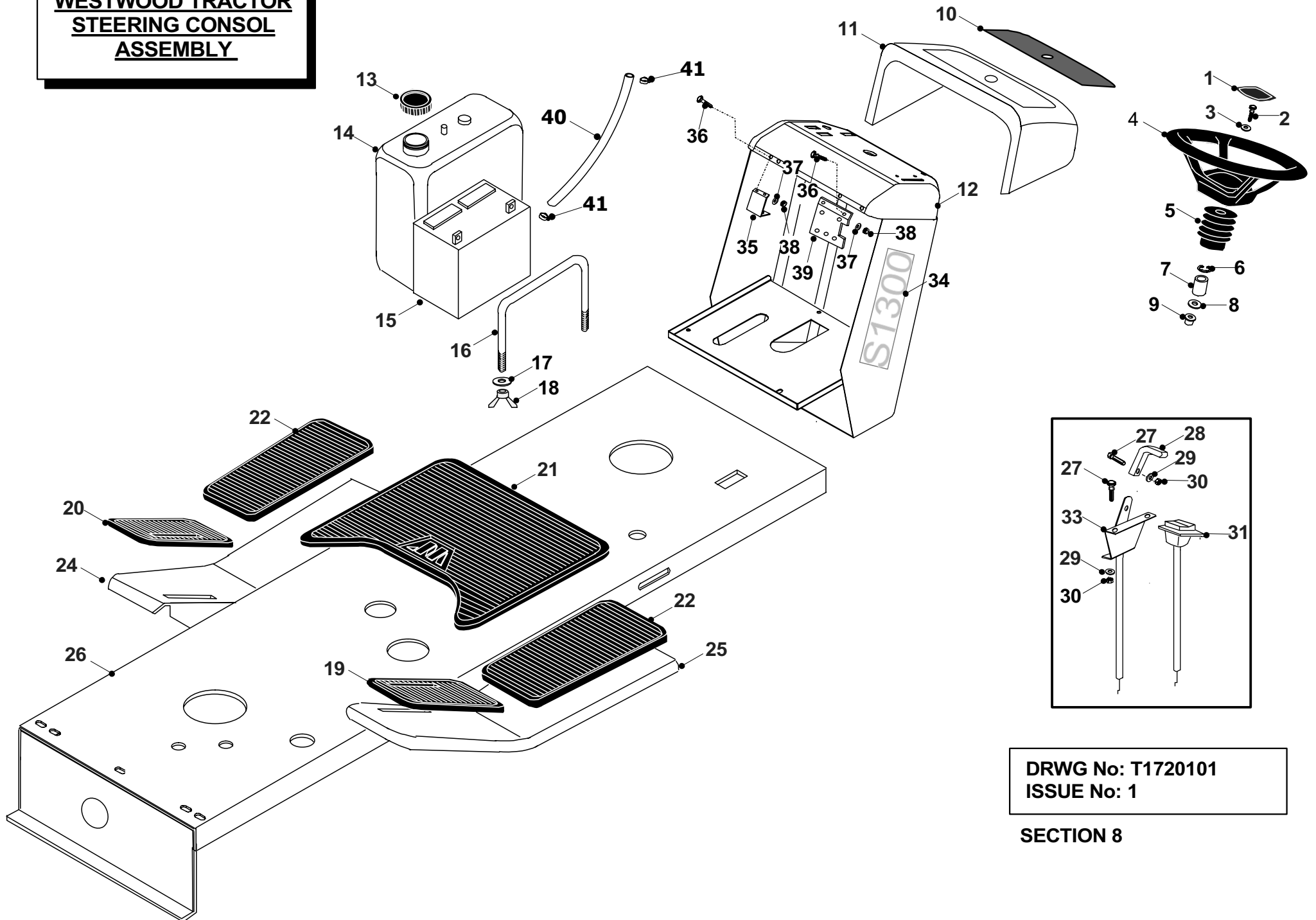
BATTERY CHARGER

**DRWG No: T1710101
ISSUE No: 1**

WESTWOOD TRACTOR
MAIN WIRING LOOM
PARTS LIST

	PART DESCRIPTION	PART NUMBER
1	Printed Circuit Board	8062
2	Clutch Engage / Cutter Switch	8161
3	Light Switch	8160
4	Transmission Safety Switch	44813400
5	Safety Switch Spring	25813801
6	Headlight Loom	44946600
7	Bulb Holder	44816100
8	Bulb 12V 21W	44816200
9	Mag Stop Clutch	44936100
10	Clutch Loom (not illustrated)	44946800
11	Red Lead Battery to Starter	44812600
13	Battery Solenoid Lead (+) (Red)	448006200
14	Battery to Solenoid / Chassis (-) (Black)	448006301
15	Solenoid	44814801
16	Battery 12V Sealed Gel type	458141200
17	Printed Circuit Board Support Peg	26818800
18	Seat Switch	44949500
19	Fuse Holder	8176
20	Fuse Spade 10A	44889500
21	Fuse Spade 20A	44835000
22	Fuse Spade 1A	449559300
23	Ignition Fixing Nut	048001300
24	Ignition Cap Bezel	52813100
25	Main Loom	448006101
	Main Loom (c/w clutch loom & light loom)	448006100
26	Tie Wrap (Not Illustrated)	52825400
27	Tie Wrap Mount (Not Illustrated)	52816800
28	Tie Wrap Self Adhesive (Not Illustrated)	52816700
29	Ignition Key	52813000
30	Ignition Switch	44812900
31	Relay	449559100
32	Intek Loom Adaptor	448006900
33	Earth Lead - Chassis to Engine	448007000
34	Ignition Light (not illustrated)	8841
35	B&S Engine Loom Block Connector (not illustrated)	448015500
36	Battery Charger	449562800
37	Battery Charger Decal	359509400
38	Battery Charger Instructions	36919500

**WESTWOOD TRACTOR
STEERING CONSOL
ASSEMBLY**



**DRWG No: T1720101
ISSUE No: 1**

SECTION 8

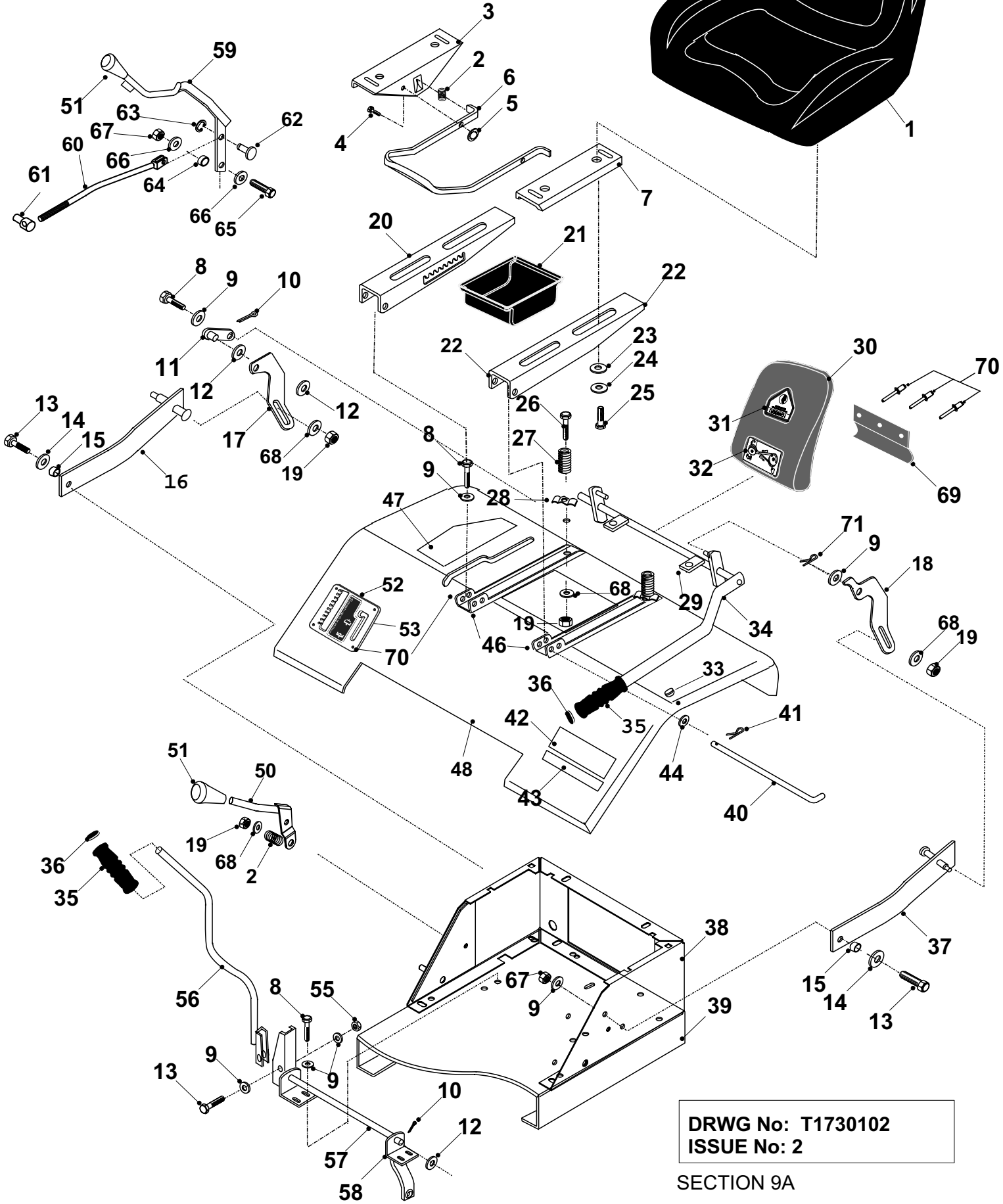
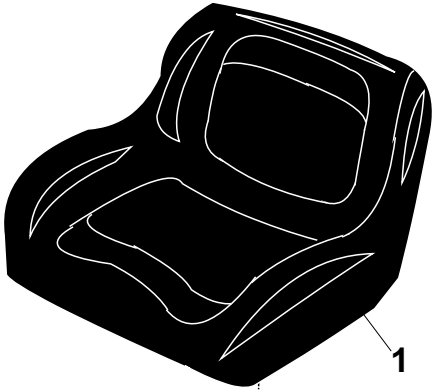
WESTWOOD TRACTOR
STEERING CONSOL
PARTS LIST

	PART DESCRIPTION	PART NUMBER
1.	Steering Wheel Cap	14938700
2.	Long Screw 5/16 UNF x 1"	02819600
3.	Washer 5/16" T4	08819700
4.	Steering Wheel	14928200
5.	Gaiter	9426
6.	E-Clip 5/16"	07823800
7.	Steering Column Spacer	183025200
8.	Washer 5/8" x 1.14" T3	08822700
9.	Steering Column Bush	14801800
10.	Dashboard Decal – 1 Switch	358010400
	Dashboard Decal – 2 Switch	358010500
	Dashboard Decal – 3 Switch	358010300
11.	Consol Cover	8849
12.	Consol	327174400
13.	Fuel Tank Cap	3963
14.	Fuel Tank	3960
15.	Battery	458141200
16.	Battery Clamp	313008500
17.	Washer ¼" T4 HP	08874300
18.	Wing Nut	04822600
19.	LH Front Mat - Manual	148009800
20.	LH Front Mat - Hydro	148009900
	RH Front Mat	148010000
21.	Centre Mat - Manual	148010100
	Centre Mat - Hydro	148010200
22.	RH Rear Mat	148010300
	LH Rear Mat	148010400
24.	RH Running Board	327174600
25.	LH Running Board	327174500
26.	Chassis	32702402
27.	Screw M4 x 12mm Pozi Pan Hd	02826300
28.	Control Lever Knob	14810400
29.	Washer M4	08826200
30.	Nut Nyloc M4	04826400
31.	Choke Control – Twin Cylinder only	RCL290056800
33.	Throttle Control Single Cylinder Model	528004501

WESTWOOD TRACTOR
STEERING CONSOL
PARTS LIST

33.	Throttle Control Twin Cylinder Model	528004600
34.	Consol Decal S1300	358011400
	Consol Decal S1600	358011600
	Consol Decal T1600	358011800
	Consol Decal T1800	358012000
	Consol Decal T2000	358012200
35.	Fuel Tank Bracket	8202
36.	Hex Head Screw M5 x 12mm	02911600
37.	Washer M5	08911500
38.	Nut Nyloc M5	04911400
39.	Solenoid Bracket	8906
40.	Fuel Feed Pipe	3859
41.	Jubilee Clip	11856900

**WESTWOOD TRACTOR
MANUAL
REAR BODY ASSEMBLY**



**DRWG No: T1730102
ISSUE No: 2**

SECTION 9A

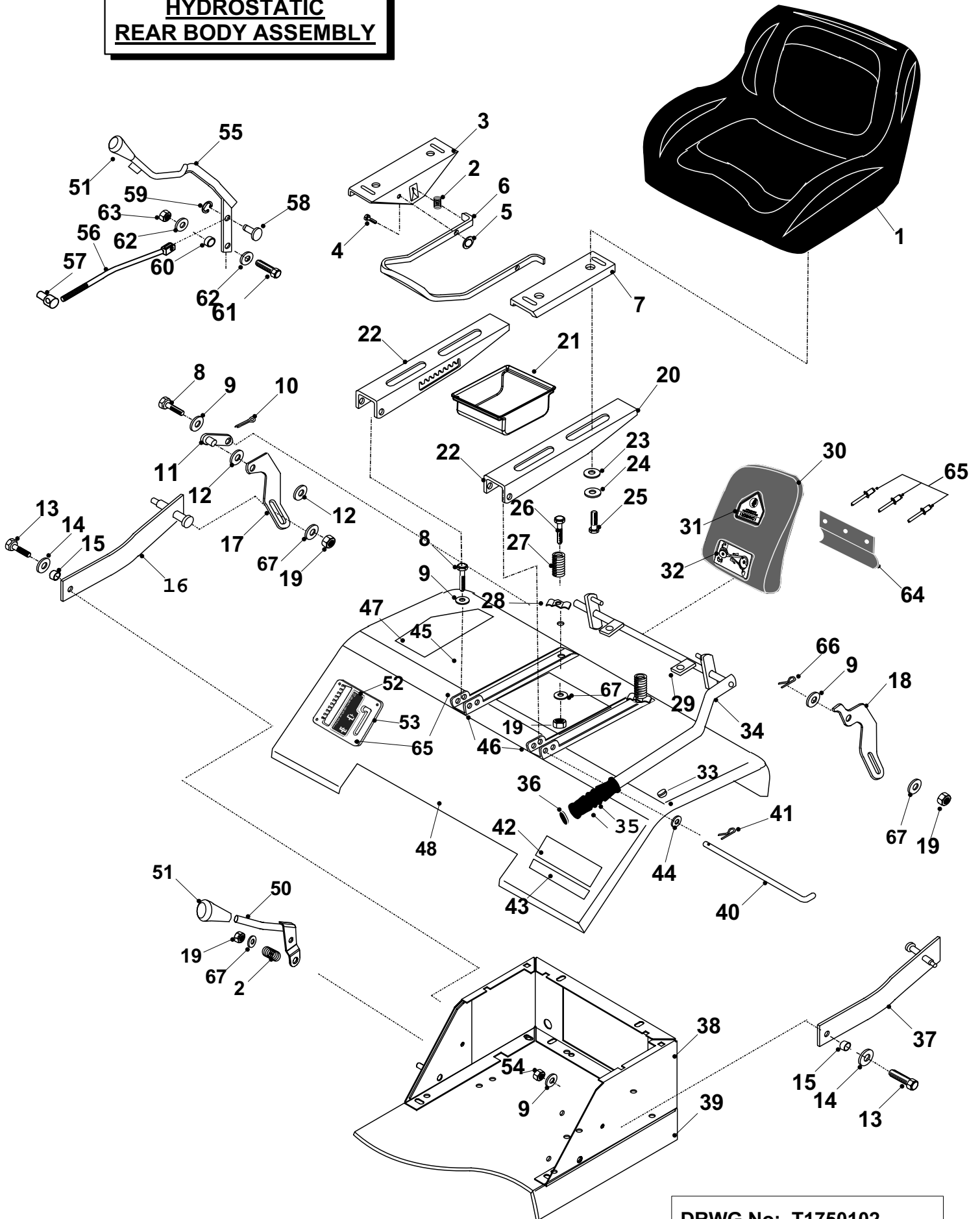
**WESTWOOD TRACTOR MANUAL
REAR BODY ASSEMBLY PARTS LIST**

	PART DESCRIPTION	PART NUMBER
1	Seat	14947200
2	Compression Spring Universal	25831100
3	Seat Plate Adjuster R/H	30117900
4	Rivet 1/4 X 1/2	012885800
5	Starlock Washer	08868700
6	Seat Handle	30203100
7	Seat Plate Adjuster L/H	30118000
8	Bolt 5/16" UNF X 3/4"	02827600
9	Washer 5/16 T4	08819700
10	Split Pin 1/8" X 1"	07823300
11	PTO Pivot End	32704800
12	Washer 1/2" T3	08822500
13	Bolt 5/16" UNF X 1 1/4"	01820600
14	Washer 40 X 8.3 id X 3mm	08104400
15	Spacer 9 X 8.3mm id	31302700
16	Sweeper Link Arm (R/H)	32725900
17	Sweeper Lift Hook (R/H)	27114200
18	Sweeper Lift Hook (L/H)	307177100
19	Nut 3/8" UNF Nyloc	04820200
20	Adjustable Seat Channel R/H	327173700
21	Tool Tray	149496700
22	Adjustable Seat Channel L/H	327173600
23	Washer 40 X 10mm HG	08118200
24	Washer 3/8" Shakeproof	08826700
25	Bolt M8 x 20mm	02825900
26	Bolt 3/8" UNF X 1 1/2"	01855000
27	Adjustable Seat Spring	25845600
28	Spring Retaining Washer (Seat)	27835400
29	PTO Hanging Plate	32733300
30	PTO Flap	149496400
31	PTO Danger Decal	35804600
32	Sweeper Belt Decal	35809400
33	Grommet Foot	14946600
34	Sweeper Lift	32733201
35	Soft Foam Grip	38936500
36	Soft Foam Grip End Plug	14880500
37	Sweeper Link Arm (L/H)	32726000

**WESTWOOD TRACTOR MANUAL
REAR BODY ASSEMBLY PARTS LIST**

	PART DESCRIPTION	PART NUMBER
38	Rear Seat Box	327173000
39	Chassis	32702402
40	Seat Pivot Rod	31301800
41	'R' Clip 2mm	07823700
42	Decal "TBS Deck"	35931400
43	Deck Size Decal " 92cm/36" "	35931500
	Deck Size Decal " 97cm/38" "	35931600
	Deck Size Decal " 122cm/48" "	35931800
44	Washer 5/16" T3 LP	08819500
46	Seat Channel	30114900
47	5 Speed Gear Select Decal	35803600
	Hydro Speed Select Decal	35897900
48	Rear Body Panel	301129900
50	PTO Engage Lever	313003100
51	Lever Knob	14804800
52	Decal Deck Height / PTO Lever	358005600
53	Rear Body Gate Plate	303072000
55	Nut 5/16 UNF Nyloc	04827500
56	Speed Select / Gear Lever	32731200
57	Gear Select Cross Over	32700400
	Speed Select Cross Over	32728100
58	Gear Lever Pivot	27108400
59	Deck Height Lever	327003300
60	Deck Height Adjustment Yoke	32703300
61	Deck Height Trunnion	18805400
62	Clevis Pin	31340800
63	Circlip 3/8" External	07846800
64	Deck Height Pivot Boss	18317400
65	Bolt 5/16" UNF x 2"	01820900
66	Washer 5/16" T4 HP	08819700
67	Nut 5/16" UNF Nyloc	04827500
68	Washer 3/8 T3 HP	08820100
69	PTO Flap Hinge	19496500
70	Rivet 4.8 x 10mm	12824400
71	Rue Clip	11836700

**WESTWOOD TRACTOR
HYDROSTATIC
REAR BODY ASSEMBLY**



**DRWG No: T1750102
ISSUE No: 2**

SECTION 9B

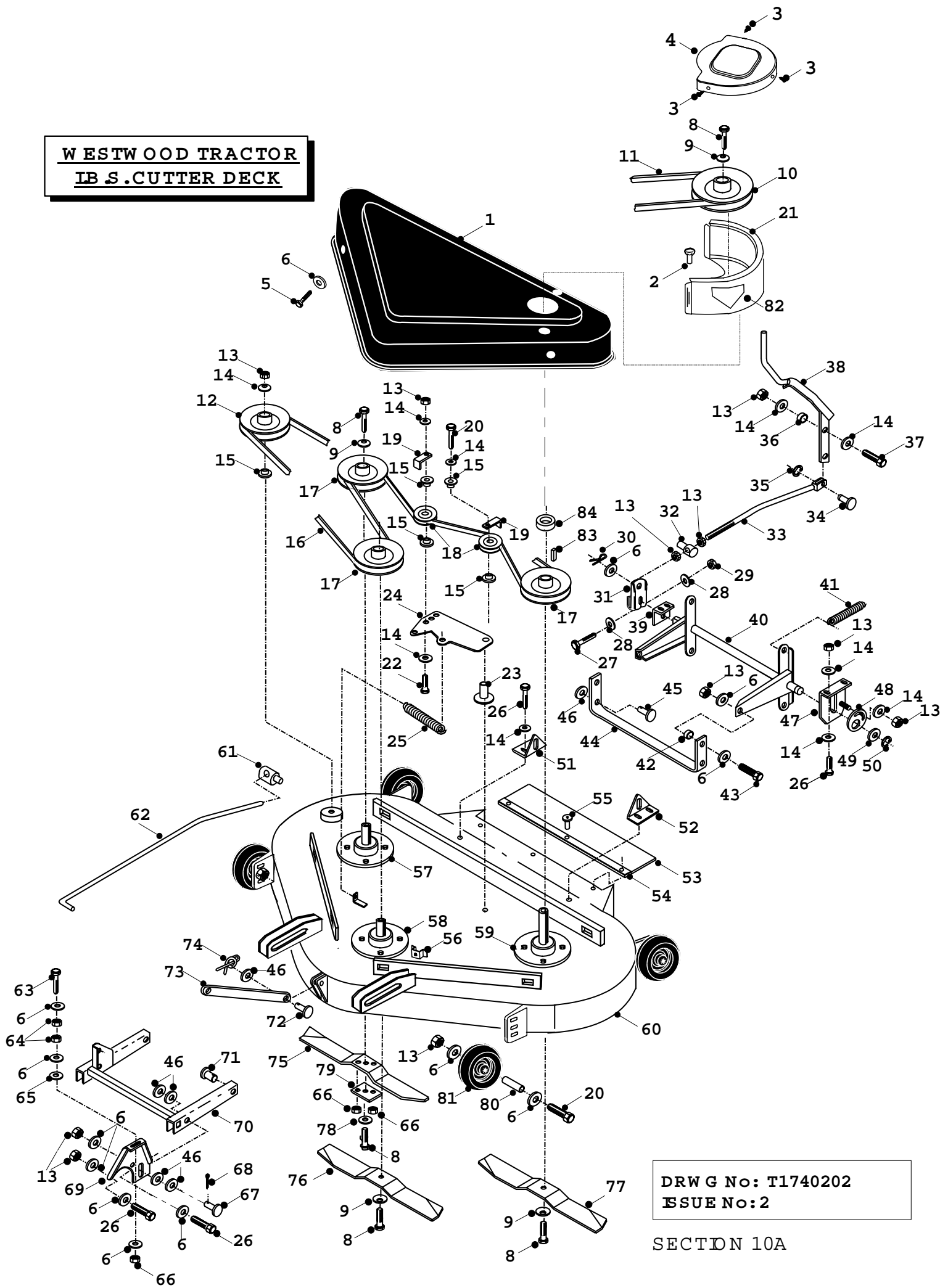
**WESTWOOD TRACTOR HYDROSTATIC
REAR BODY ASSEMBLY PARTS LIST**

	PART DESCRIPTION	PART NUMBER
1	Seat	14947200
2	Compression Spring Universal	25831100
3	Seat Plate Adjuster R/H	30117900
4	Rivet 1/4 X 1/2	012885800
5	Starlock Washer	08868700
6	Seat Handle	30203100
7	Seat Plate Adjuster L/H	30118000
8	Bolt 5/16" UNF X 3/4"	02827600
9	Washer 5/16 T4	08819700
10	Split Pin 1/8" X 1"	07823300
11	PTO Pivot End	32704800
12	Washer 1/2" T3	08822500
13	Bolt 5/16" UNF X 1 1/4"	01820600
14	Washer 40 X 8.3 id X 3mm	08104400
15	Spacer 9 X 8.3mm id	31302700
16	Sweeper Link Arm (R/H)	32725900
17	Sweeper lift Hook (R/H)	27114200
18	Sweeper lift Hook (L/H)	307177100
19	Nut 3/8" UNF Nyloc	04820200
20	Adjustable Seat Channel R/H	327173700
21	Tool Tray	149496700
22	Adjustable Seat Channel L/H	327173600
23	Washer 40 X 10mm HG	08118200
24	Washer 3/8" Shakeproof	08826700
25	Bolt 3/8" UNC X 3/4"	02825200
26	Bolt 3/8" UNF X 1 1/2"	01855000
27	Adjustable Seat Spring	25845600
28	Spring Retaining Washer (Seat)	27835400
29	PTO Hanging Plate	32733300
30	PTO Flap	149496400
31	PTO Danger Decal	35804600
32	Sweeper Belt Decal	35809400
33	Grommet Foot	14946600
34	Sweeper Lift	32733201
35	Soft Foam Grip	38926500
36	Soft Foam Grip End Plug	14880500
37	Sweeper Link Arm (L/H)	32726000

**WESTWOOD TRACTOR HYDROSTATIC
REAR BODY ASSEMBLY PARTS LIST**

	PART DESCRIPTION	PART NUMBER
38	Rear Seat Box	327173000
39	Chassis	32702402
40	Seat Pivot Rod	31301800
41	'R' Clip 2mm	07823700
42	Decal "TBS Deck"	35931400
43	Deck Size Decal " 92cm/36" "	35931500
	Deck Size Decal " 97cm/38" "	35931600
	Deck Size Decal " 122cm/48" "	35931800
44	Washer 5/16" T3 LP	08819500
46	Seat Channel	30114900
47	5 Speed Gear Select Decal	35803600
	Hydro Speed Select Decal	35897900
48	Rear Body Panel	301129800
50	PTO Engage Lever	31302600
51	Lever Knob	14804800
52	Bolt 5/16 UNF X 1 1/2"	01820700
53	PTO Engage Plate	32708601
54	Nut 5/16 UNF Nyloc	04827500
55	Deck Height Lever	327003300
56	Deck Height Adjustment Yoke	32703300
57	Deck Height Trunnion	18805400
58	Clevis Pin	31340800
59	Circlip 3/8" External	07846800
60	Deck Height Pivot Boss	18317400
61	Bolt 5/16" UNF x 2"	01820900
62	Washer 5/16" T4 HP	08819700
63	Nut 5/16" UNF Nyloc	04827500
64	PTO Flap Hinge	149496500
65	Rivet 4.8 X 10mm	12824400
66	Rue Clip	11836700
67	Washer 3/8 T3 HP	08820100

WESTWOOD TRACTOR
LB S. CUTTER DECK



DRWG No: T1740202
ISSUE No: 2

SECTION 10A

**WESTWOOD TRACTOR
IBS CUTTER DECK**

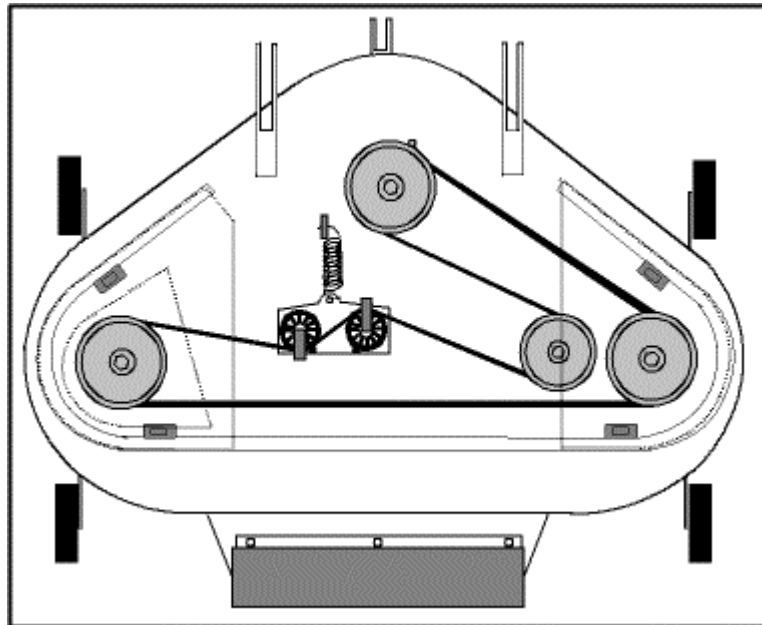
	PART DESCRIPTION	PART NUMBER
1	Deck Lid Cover	148002700
2	Rivet	12949400
3	Fir Tree Fastener	4958
4	Pulley Cover Lid	149497400
5	Bolt M8 x 20mm	02825900
6	Washer M8 x 23 x 4mm	08819800
8	Bolt 3/8" UNF x 1.1/4"	02825300
9	Washer Dome 3/8" id x 1.3/4" x 1/8"	08819900
10	Deck Drive Pulley	20870200
11	36" Deck (Dayco Super II B54) Mag Stop Clutch	22949800
	38" Deck (Dayco Super II B58) Mag Stop Clutch	22870101
	42" Deck (Dayco Super II B57) Mag Stop Clutch	22871200
	48" Deck (Dayco Super II B59) Mag Stop Clutch	22949900
12	Idler Pulley (5")	20869600
13	Nut 5/16" UNF Nyloc	04827500
14	Washer 5/16" T4 HP	08819700
15	Jockey Pulley Spacer	18831600
16	36" Deck Belt (Gates AA 105)	22869800
	38" Deck Belt (Gated AA 112)	22869901
	42" Deck Belt (Gates AA 120)	22870000
	48" Deck Belt (Gates BB 136)	22928800
17	Deck Pulley (5")	20869501
18	Jockey Pulley	20811500
19	Belt Retaining Bracket	27105800
20	Bolt 5/16" UNF x 2.3/4"	01821200
21	Top Cover Driving	307183100
22	Bolt 5/16" UNF x 1.3/4"	01820800
23	Belt Tension Plate Spacer	31328900
24	Belt Tension Plate	32731000
25	Deck Belt Tension Spring	25906200
26	Bolt 5/16" UNF x 3/4"	02827600
27	Bolt 3/8" UNF x 2.1/4"	01821500
28	Washer 3/8" T3 HP	08820100
29	Nut 3/8" UNF Nyloc	04820200
30	'R' Clip (2mm)	07823700
31	Lift Arm	32702500
32	Deck Height Trunnion	18326700
33	Deck Height Adjust Yoke	32703300
34	Clevis Pin	31340800
35	Circlip 3/8" External	07846800
36	Deck Height Pivot Boss	18317400

WESTWOOD TRACTOR
IBS CUTTER DECK
PARTS LIST

	PART DESCRIPTION	PART NUMBER
37	Bolt 5/16" UNF x 2"	01820900
38	Deck Height Lever	327003300
39	Deck Hanging Bracket (Rear)	27102001
40	Deck Hanging Bar (Rear)	327361700
41	Sweeper Lift Assist Spring	25908801
42	Spacer 9mm x 8.3mm id	18302700
43	Bolt 5/16" UNF x 1 1/4"	01820600
44	Deck Lift Cradle Rear	29200700
45	Deck Lift Pin Rear	31337200
46	Washer 1/2" T3 LP	08822500
47	Rear Deck Level Bracket	30709200
48	Rear Deck level Cam	30117600
49	Washer 3/4" T3 LP	08823000
50	'E' Clip 3/4"	07823200
51	Rear Deck Hanging Bracket R/H	27102000
52	Rear Deck Hanging Bracket L/H	30709200
53	Rubber Flap	14868901
54	Rubber Flap Plate	30145100
55	Pop Rivet 4.8 x 16mm	12860100
56	Nut Captive M8	04825800
57	Deck Bearing Housing (Short Shaft With Stud Fastnings)	40503604
58	Deck Bearing Housing (Short Shaft)	40503704
59	Deck Bearing Housing (Long Shaft)	40503504
60	36" Deck Shell	32726700
	38" Deck Shell	32726601
	42" Deck Shell	32766500
	48" Deck Shell	32732500
	Complete Cutter Deck	SALES DEPT.
61	Deck Level Trunnion	189497500
62	Deck Level Rod	18805900
63	Bolt M8 x 70mm	01850700
64	Nut M8 Nyloc	04822300
65	Washer Shakeproof 5/16" UNF	08823500
66	Nut M8 Nyloc	04850600
67	Deck Lift Pin	31339400
68	Split Pin 1/8" x 1"	07823200
69	Deck Adjustment Plate	27115100
70	Deck Carrying (Front)	32703700
71	Deck Lift pin (Front)	31336800

WESTWOOD TRACTOR
I.B.S.CUTTER DECK
PARTS LIST

	PART DESCRIPTION	PART NUMBER
72	Deck Push Rod Pin	31338200
73	Deck Tension Bar 36"	29203900
	Deck Tension Bar 38"	29202400
	Deck Tension Bar 42"	29203700
	Deck Tension Bar 48"	29202400
74	Rue Clip	11836700
75	<i>See IBS Deck Quick Reference Table</i>	
75	<i>See IBS Deck Quick Reference Table</i>	
76	<i>See IBS Deck Quick Reference Table</i>	
77	<i>See IBS Deck Quick Reference Table</i>	
78	Washer 3/8" Shakeproof	08826700
79	Locking Tab	27111200
80	Scuff Wheel Hub	31337600
81	Anti Scalp Wheel	149495800
82	Decal "Blade Danger"	35803300
83	Key 1/4" x 1/4" x 22mm Square	098405100
84	Deck Drive Pulley Spacer (39mm)	31328301



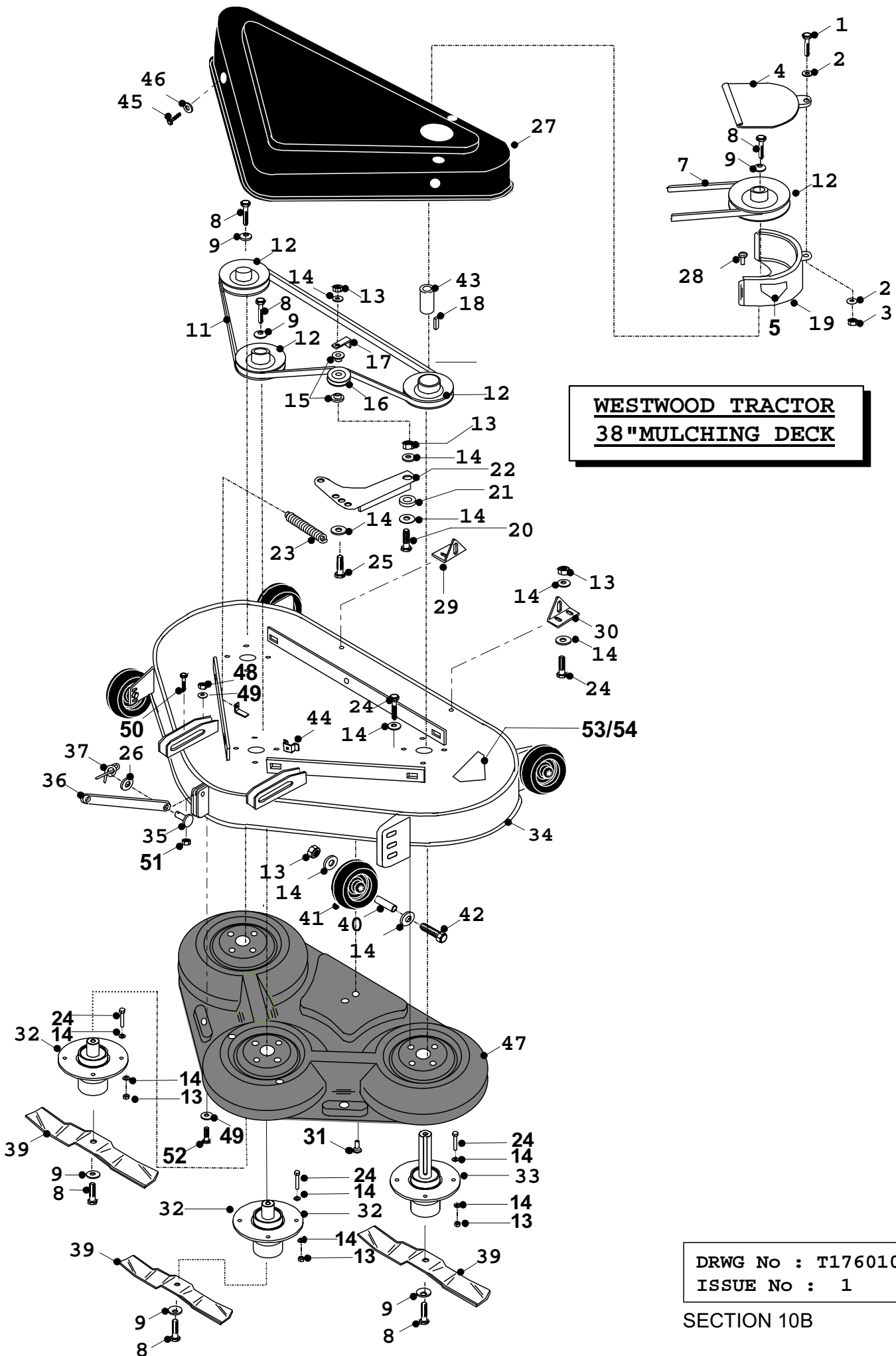
IBS INTERNAL DECK DRIVE

IBS DECK BLADE QUICK REFERENCE

92cm (36") & 97cm (38")		
1	12" CLOCKWISE BLADE	16869000
1	15" CLOCKWISE BLADE	16869100
1	15" ANTI-CLOCKWISE BLADE	16869200
KIT C/W FIXINGS		40505200

107cm (42")		
1	15" CLOCKWISE BLADE	16869100
1	15" CLOCKWISE BLADE	16869100
1	15" ANTI-CLOCKWISE BLADE	16869200
KIT C/W FIXINGS		40505300

123cm (48")		
1	17.5" CLOCKWISE BLADE	16928900
1	17.5" CLOCKWISE BLADE	16928900
1	17.5" ANTI-CLOCKWISE BLADE	16929000
KIT C/W FIXINGS		40505500



**WESTWOOD TRACTOR
38" MULCHING DECK**

DRWG No : T1760101
ISSUE No : 1

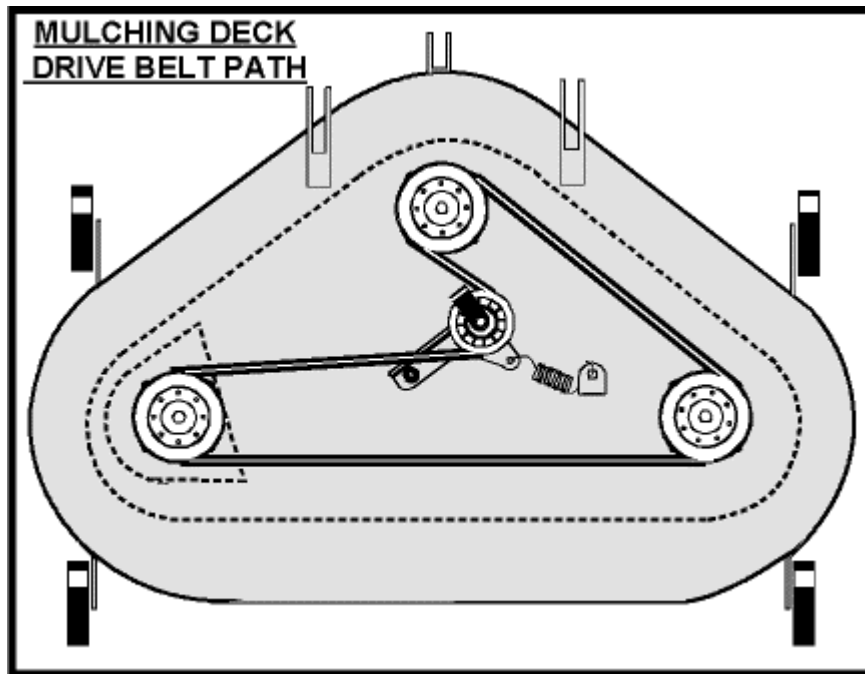
SECTION 10B

WESTWOOD TRACTOR
38" MULCHING DECK
PARTS LIST

	PARTS DESCRIPTION	PART NUMBER
1	Decal (Height)	35949000
2	Decal (Mulcher)	35945900
3	Fir Tree Fastener	4958
4	Pulley Cover Lid	149497400
5	Decal "Blade Danger"	35803300
7	Belt Dayco Super II B55	22940200
8	S/Screw 3/8" UNF x 1.1/4"	02825300
9	Washer Dome 3/8" id x 3/4" x 1/8"	08819900
11	Deck Drive Belt Dayco Super II A72	228000500
12	Deck Pulley (5")	20869501
13	Nut 5/16" UNF Nyloc	04827500
14	Washer M8 x 25 x 3mm	08819800
15	Jockey Pulley Spacer	18831600
16	Jockey Pulley	20811500
17	Belt Retaining Bracket	27105800
18	Key 1" x 1/4" Square	09830600
19	Top Cover Driving	327180000
20	Bolt 5/16" UNF x 1.1/2"	01820700
21	Belt Tension Plate Spacer	31328900
22	Belt Tension Plate	32734600
23	Deck Belt Tension Spring	25906200
24	S/Screw 5/16" UNF x 1"	02819600
25	Bolt 5/16" UNF x 1.3/4"	01820800
26	Washer 3/8" T3 HP	08820100
27	Deck Lid Cover	148002700
28	Rivet	12949400
29	Rear Hanging Bracket (R/H)	30121300
30	Rear Hanging Bracket (L/H)	30121400
31	Rivet	12868600
32	Deck Bearing Housing (Short Shaft)	40503704
33	Deck Bearing Housing (Long Shaft)	40503504
34	Mulching Deck Shell	327000101
35	Deck Push Rod Pin	31338200
36	Deck Tension Bar (38" Mulcher)	29203700
37	Rue Clip	11836700
39	15" Mulch Blade	16937900
40	Scalp Wheel Hub	31337600
41	Anti Scalp Wheel	149495800
42	Bolt 5/16" x 2.3/4"	01821200
43	Deck Drive Pulley Spacer (39mm)	31328301

WESTWOOD TRACTOR
38" MULCHING DECK
PARTS LIST

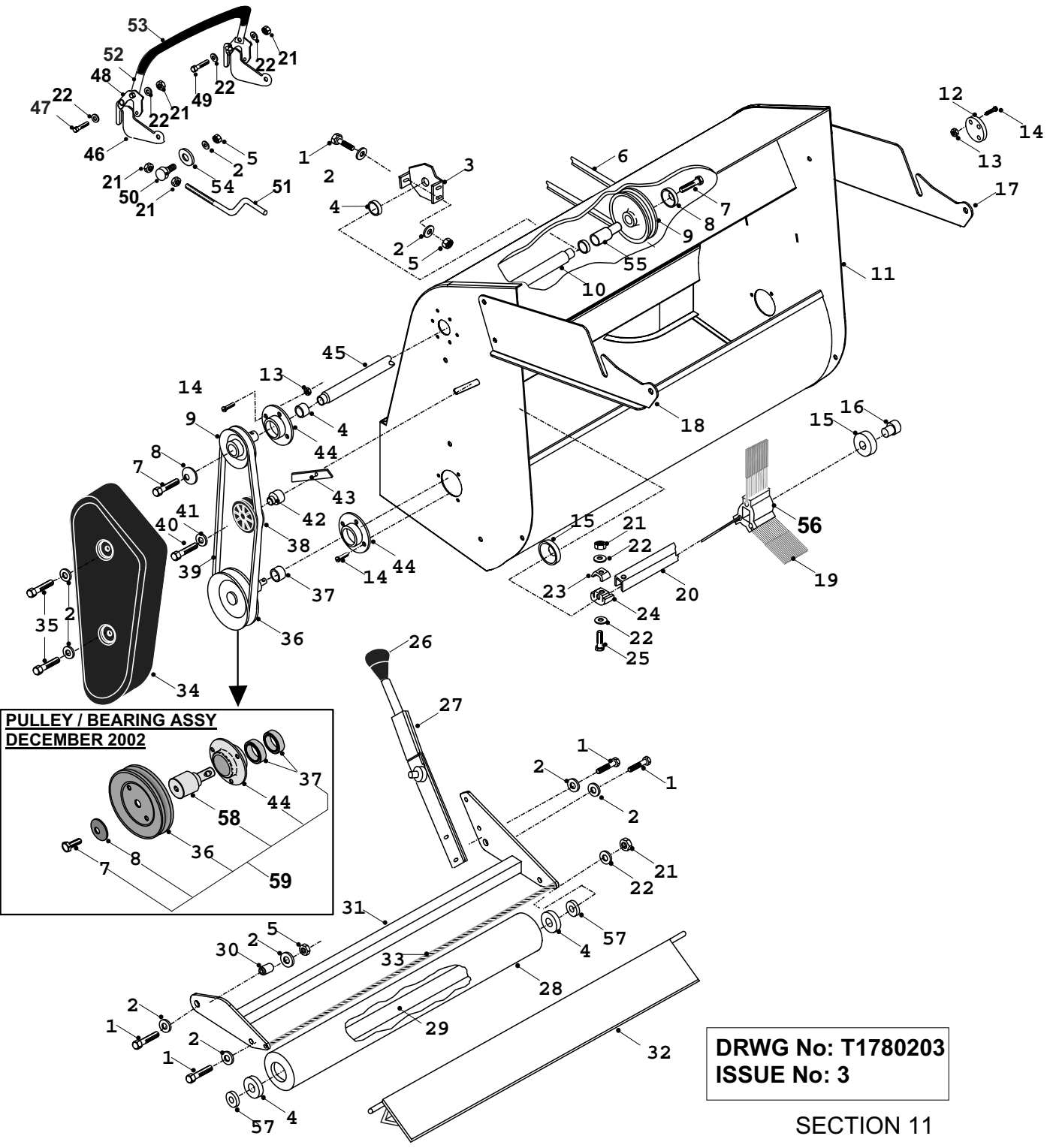
44	M8 Captive Nut (6 off)	04825800
45	M8 x 20 Screw (6 off)	018001500
46	M8 Washer	088000100
47	Mulcher Deck Liner	148002600
48	Nut M8 Nyloc	04823300
49	Washer M8	088000100
50	Screw 5/16" x 3/4" UNF	01850900
51	Nut Nyloc 5/16" UNF	04827500
52	Screw 8mm x 25mm	01916900



OCTOBER 2003

SECTION 10B

**WESTWOOD TRACTOR
POWERED
GRASS COLLECTOR**



**DRWG No: T1780203
ISSUE No: 3**

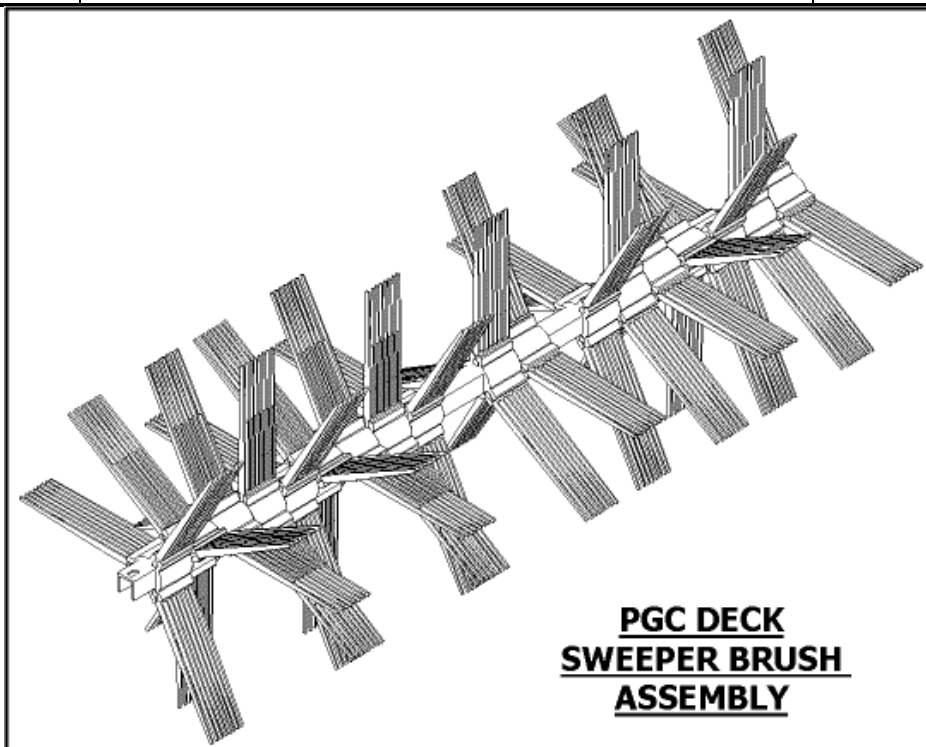
SECTION 11

**WESTWOOD S1300 TRACTOR
POWERED GRASS COLLECTOR
PARTS LIST**

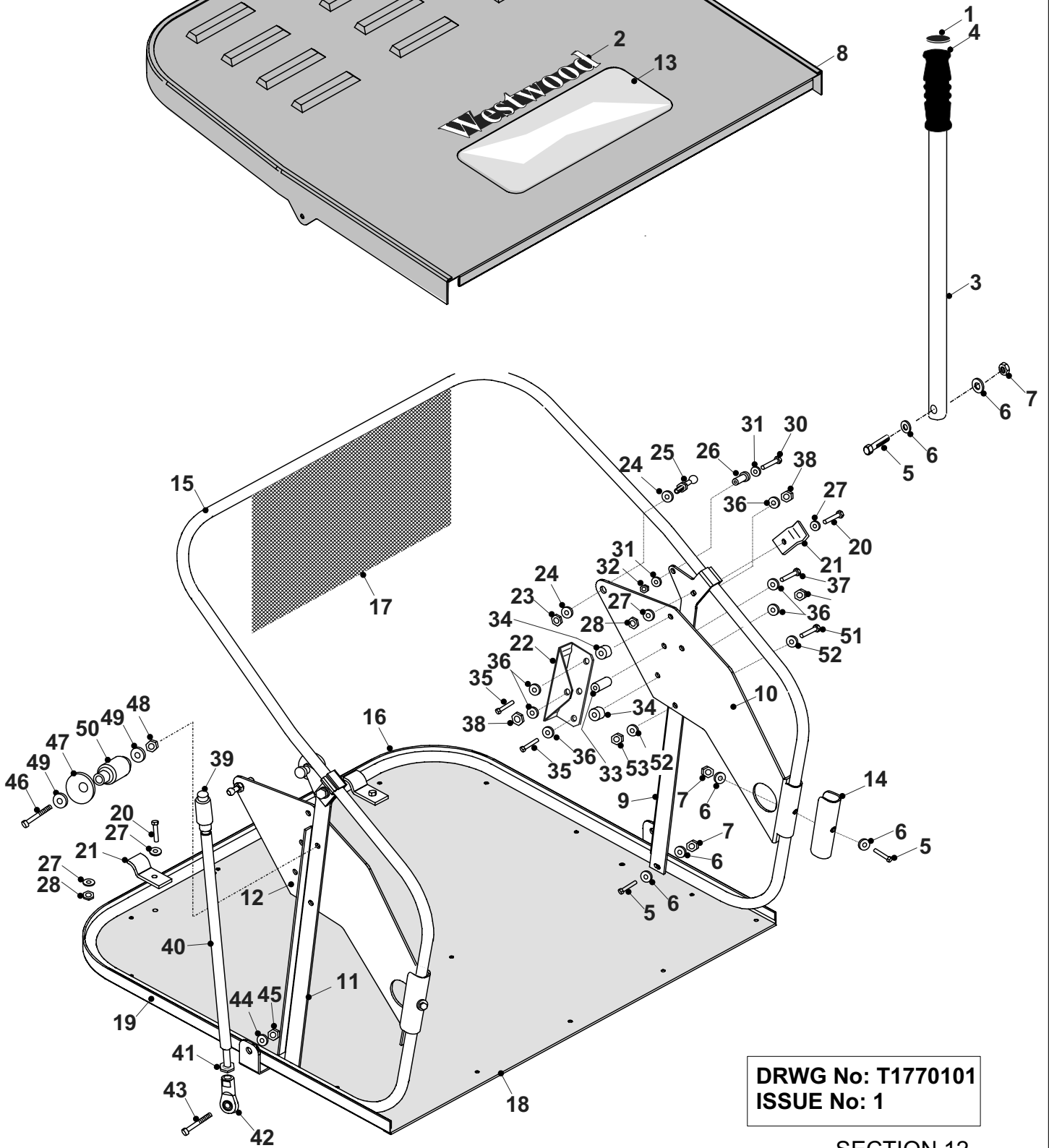
	PART DESCRIPTION	PART NUMBER
1	Bolt M8 x 30mm	018001200
2	Washer M8	088000200
3	Idler Bearing Housing	307025600
4	Bearing 6203 2RS	10811600
5	Nut Nyloc M8	04850600
6	P.T.O. Belt A49	22923400
7	Bolt M10 x 25mm	028002300
8	Washer Domed	08819900
9	3" Pulley (Non - Keyed)	327175900
10	Spacer Idler Shaft	31306200
11	Sweeper Body 2000	327172600
12	Sweeper Bearing Cap	30117500
13	Nut M5 Nyloc	04885900
14	Screw M5 x16mm Pozi Pan	02940500
15	Sweeper Slinger	32121800
16	Brush Stock Spindle - Short	31323900
17	Bag Ear L/H	301057700
18	Bag Ear R/H	307025500
19	Sweeper Bristle Webbed	14936300
20	Brush Stock	17400200
21	Nut Nyloc M6	048001000
22	Washer M6	088003000
23	Brush Drive Moulding - Top	14834100
24	Brush Drive Moulding - Bottom	14832900
25	Bolt M6x45mm	028662800
26	Lever Knob	14804800
27	Sweeper Height Lifter	327171800
28	Roller	32731900
29	Roller Shaft Internal	183024400
30	Roller Plate Bush	31329200
31	Roller Housing	327172400
32	Scraper Plate	327016500
33	Roller Scraper Cable	528004400
34	Belt Guard	148005400
35	Bolt M8x65mm	028662700
36	5" Pulley 5" Pulley (from December 2002)	327002600 209044200
37	Bearing 6203ZZ	10845500
38	Jockey Pulley	20811500

**WESTWOOD TRACTOR
POWERED GRASS COLLECTOR
PARTS LIST**

	PART DESCRIPTION	PART NUMBER
39	Belt - PTO Brush Drive 1464	22832800
40	Bolt M8x50mm	018001800
41	Sweeper Jockey Cap Boss	31351100
42	Sweeper Jockey Spacer	31350400
43	Belt Tension Plate	30121900
44	Bearing Housing 17mm Bearing Housing (from December 2002)	27106601 271004200
45	Idler Shaft	183005700
46	Lever	307177800
47	Bolt M6x16mm	019479200
	Decal "Roller Height" (Not Illustrated)	35937600
48	L.H. Sweeper Locking Lug	30149800
	R.H. Sweeper Locking Lug	30150300
49	Bolt M6x20mm	018000300
50	Trunnion M8	183003800
51	Adjustment Rod	313003500
52	Handle Locking Plate	178966300
53	Foam Handle Grip	149496600
54	Nylon Washer M8	088002300
55	Sweeper Input Pulley Extension	803003900
56	Bristle Boss	14833000
57	Tubular Spacer	174003600
58	Brush Stock Spindle (from December 2002)	183027900
59	PGC Pulley Bearing Kit (from December 2002)	401001500



**WESTWOOD POWERED
GRASS
COLLECTOR NET**



**DRWG No: T1770101
ISSUE No: 1**

SECTION 12

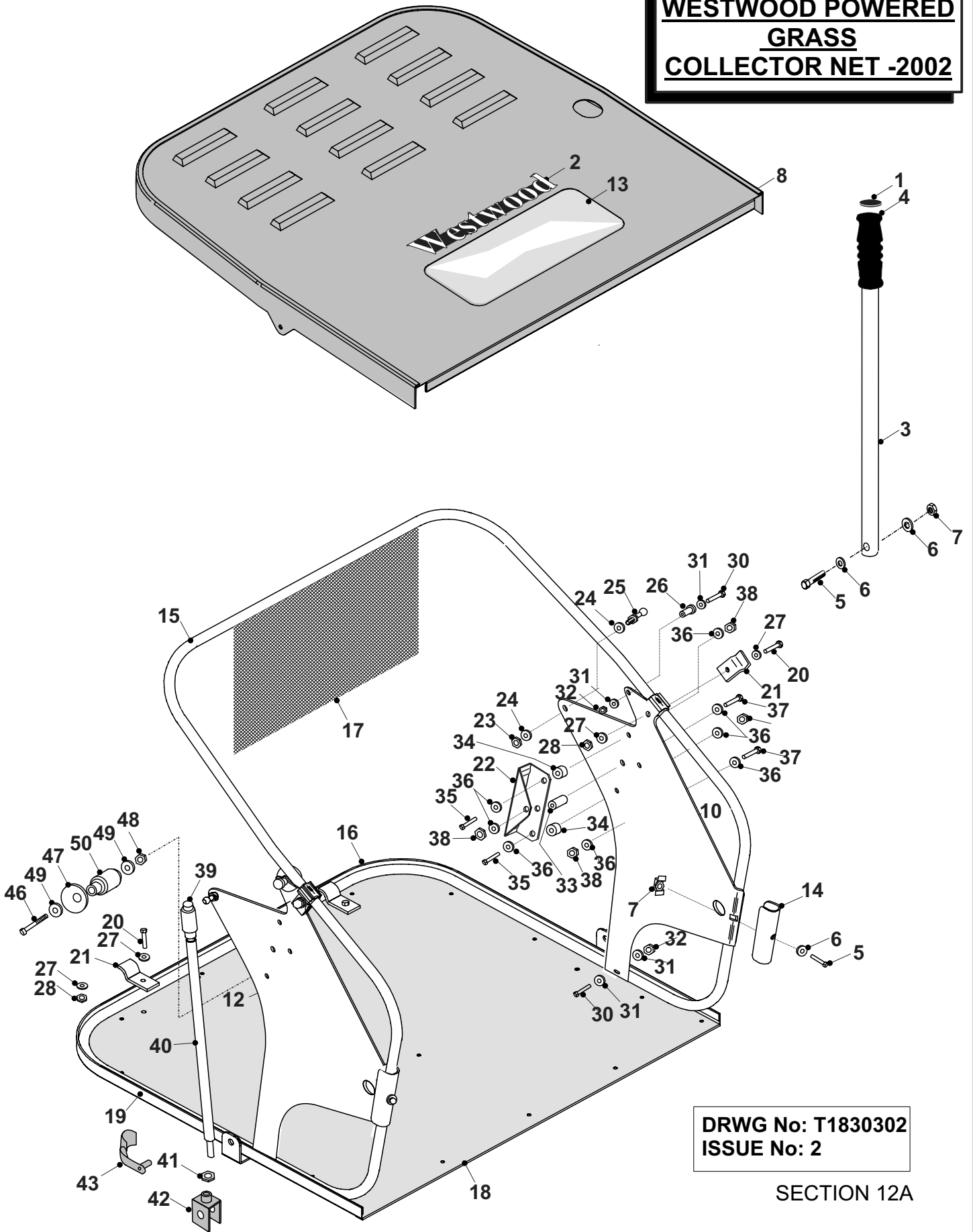
**WESTWOOD TRACTOR
POWERED GRASS COLLECTOR NET 2002
PARTS LIST**

	PART DESCRIPTION	PART NUMBER
1	Soft Foam Grip End Plug	14880500
2	Westwood Decal	9370
3	Net Tipping Handle	48402800
4	Net Tipping Foam Grip	38936500
5	Bolt M6 x 40mm	018003600
6	Washer M6	088003000
7	Captive Nut M6 x 3mm	049381900
8	Net Lid	327018500
10	Sweeper Net Side Plate L/H	307187200
12	Sweeper Net Side Plate R/H	307187300
13	Window	14871500
14	Net Frame Clamping Plate	30149600
15	Net Frame Top	174006800
16	Net Frame Bottom	174006900
17	Net	389471901
18	Net Floor (Galvanised)	301058300
19	Floor Surround (Galvanised)	307026400
20	Bolt M6 x 20mm	018000300
21	Frame Tube Clamp	301008400
22	Tipping Handle Channel	307177300
23	Nut Nyloc M10	04886100
24	Spacer	183025600
25	Ball End Shaft 10mm	183010300
26	Net Lid Spacer	18321000
27	Washer M6	088000300
28	Nut Nyloc M6	04920500
30	Screw M6 x 40mm	01901000
31	Washer M6	088000300
32	Nut Nyloc M6	04920500
33	Spacer 32 x 14 x 10 i.d.	31330800
34	Spacer 26 x 18 x 8 i.d.	183024001
35	Bolt M8 x 35mm	01935700
36	Washer M8	088000200
37	Bolt M8 x 20mm	02825900
38	Nut M8	04822300

**WESTWOOD TRACTOR
POWERED GRASS COLLECTOR NET
PARTS LIST**

	PART DESCRIPTION	PART NUMBER
39	Quick Release Ball Joint	183024900
40	Link Arm Support	183010400
41	Locknut M10	04872100
42	Rod End M10	10872600
43	Screw M10 x 25mm	028002300
44	Washer M10	088002400
45	Half Nut Nyloc	068000400
46	Bolt M8 x 55mm	028662600
47	Domed Washer	307029900
48	Nut Nyloc M8	04920100
49	Washer M8	088000200
50	Bag Frame Pivot	183023900

**WESTWOOD POWERED
GRASS
COLLECTOR NET -2002**



**DRWG No: T1830302
ISSUE No: 2**

SECTION 12A

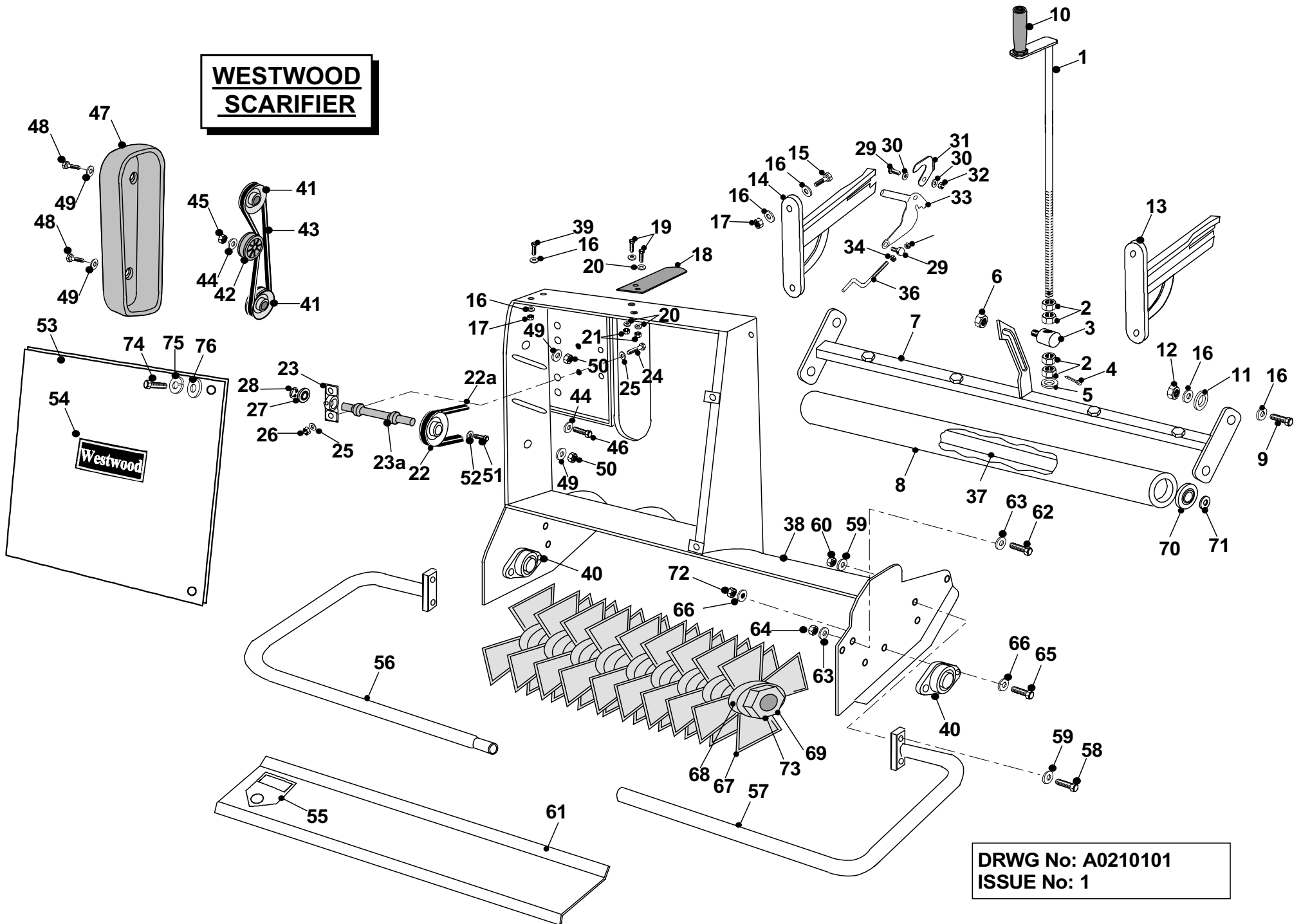
**WESTWOOD TRACTOR
POWERED GRASS COLLECTOR NET 2002
PARTS LIST**

	PART DESCRIPTION	PART NUMBER
1	Soft Foam Grip End Plug	14880500
2	Westwood Decal	9370
3	Net Tipping Handle	48402800
4	Net Tipping Foam Grip	38936500
5	Bolt M6 x 40mm	018003600
6	Washer M6	088003000
7	Captive Nut M6 x 3mm	049381900
8	Net Lid	327018500
10	Sweeper Net Side Plate L/H	307187200
12	Sweeper Net Side Plate R/H	307187300
13	Window	14871500
14	Net Frame Clamping Plate	30149600
15	Net Frame Top	174006800
16	Net Frame Bottom	174006900
17	Net	389471901
18	Net Floor (Galvanised)	301058300
19	Floor Surround (Galvanised)	307026400
20	Bolt M6 x 20mm	018000300
21	Frame Tube Clamp	301008400
22	Tipping Handle Channel	307177300
23	Nut Nyloc M10	04886100
24	Spacer	183025600
25	Ball End Shaft 10mm	183010300
26	Net Lid Spacer	18321000
27	Washer M6	088000300
28	Nut Nyloc M6	04920500
30	Screw M6 x 40mm	01901000
31	Washer M6	088000300
32	Nut Nyloc M6	04920500
33	Spacer 32 x 14 x 10 i.d.	31330800
34	Spacer 26 x 18 x 8 i.d.	183024001
35	Bolt M8 x 35mm	01935700
36	Washer M8	088000200
37	Bolt M8 x 20mm	02825900
38	Nut M8	04822300

**WESTWOOD TRACTOR
POWERED GRASS COLLECTOR NET 2002
PARTS LIST**

	PART DESCRIPTION	PART NUMBER
39	Quick Release Ball Joint	183024900
40	Link Arm Support	183010402
41	Locknut M10	04872100
42	Clevis 10mm x 1.5mm	108000600
43	Spring Pin 10mm	108000500
46	Bolt M8 x 55mm	028662600
47	Domed Washer	307029900
48	Nut Nyloc M8	04920100
49	Washer M8	088000200
50	Bag Frame Pivot	183023900

**WESTWOOD
SCARIFIER**



**DRWG No: A0210101
ISSUE No: 1**

WESTWOOD SCARIFIER - PARTS LIST

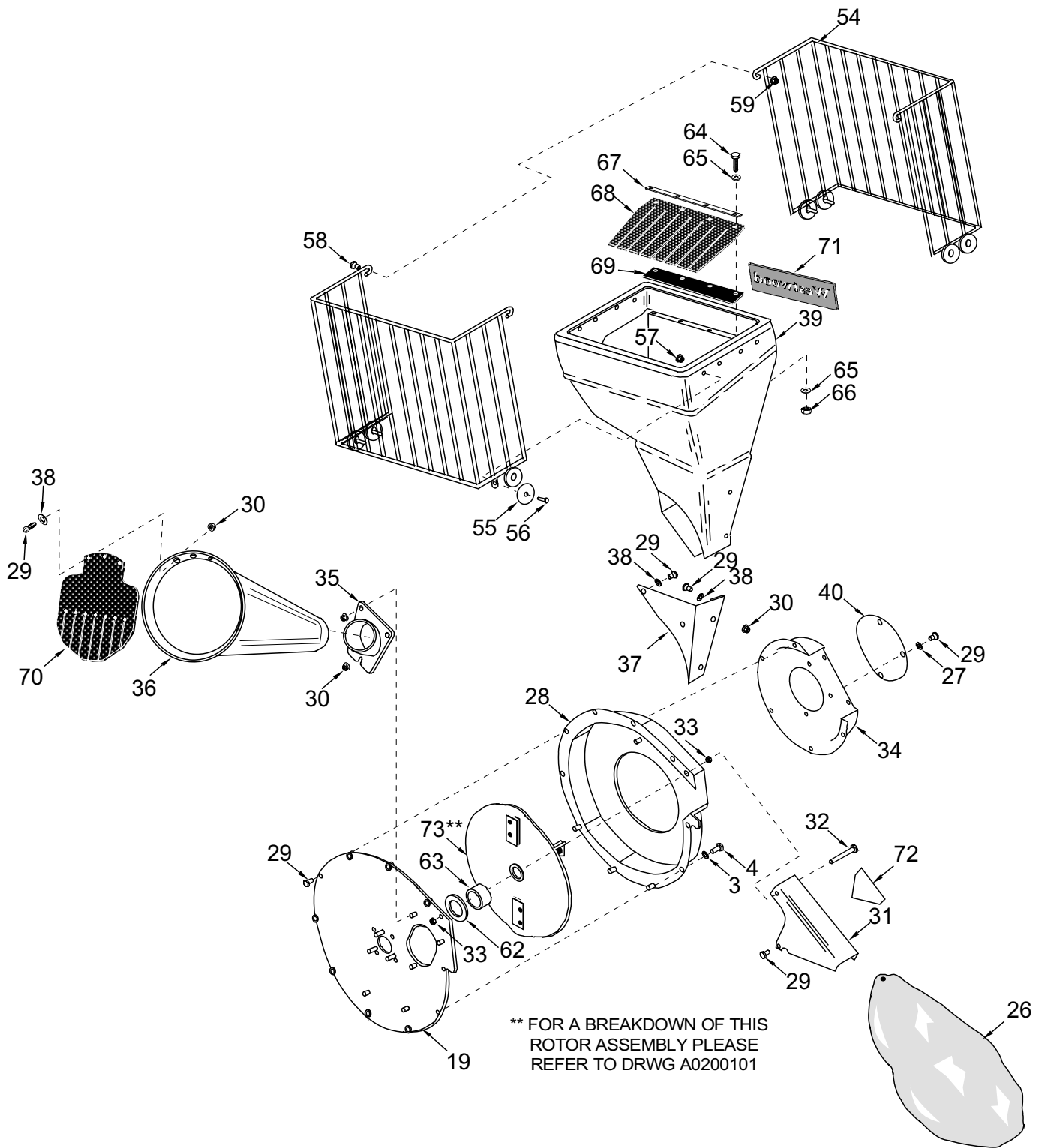
	PART DESCRIPTION	PART NUMBER
1	Microset Adjustment Rod	318950900
2	Nut 12mm	049381200
3	Trunnion	18805500
4	Split Pin	06823300
5	Washer M12	089418500
6	Nyloc Nut M10	04886100
7	Roller Housing	327360100
8	Roller Tube	327002700
9	Bolt M8 x 30mm	018001600
10	Handle Adjustment Rod	148009500
11	Pivot Spacer	183023600
12	Nyloc Nut M8	04850600
13	Link Arm R/H	327022500
14	Link Arm L/H	327022600
15	Bolt M8 x 25mm	01902300
16	Washer M8	088000200
17	Nyloc Nut M8	04850600
18	PTO Guard Retainer	301070000
19	Bolt M8 x 25mm	01902300
20	Washer M8	088001800
21	Nyloc Nut M8	04850600
22	Drive Pulley 3"	32727600
22a	Belt A55 Super 2 Dayco	228001100
	Belt A60 Super 2 Dayco	228002100
23	Shaft Support Block	321123500
23a	Bearing Shaft	327023800
24	Bolt M10 x 40mm	019479100
25	Washer M10	088002400
26	Nyloc Nut M10	04886100
27	Bearing Shaft Support Block	108728100
28	Circlip Ext: M25	078000500
29	Bolt ¼" x 1" UNF	01844700
30	Washer ¼" T3 LP	08827800
31	Sweeper Locking Lug L/H	30149800
	Sweeper Locking Lug R/H	30150300
32	Nut 5/16" UNF Nyloc	04827500
33	Locking Lever L/H	27707701
	Locking Lever R/H	27707801
34	Nut ¼"	14938100
36	Adjustment Rod	313003500
37	Roller Shaft Internal	327023900
38	Body	327022700

WESTWOOD SCARIFIER – PARTS LIST

39	Bolt M8 x 20mm	02825900
40	Bearing M20	108728200
41	Pulley	20870800
42	Pulley	20811500
43	Belt A43 A & D Series	228001300
43	Belt A38 C Series only	22950300
44	Washer M8	088001800
45	Nut Nyloc M8	04850600
46	Bolt M8 x 50	018001800
47	Belt Guard	14849800
48	Bolt M8 x 70mm	01854800
49	Washer M8	088001800
50	Nut Nyloc M8	04850600
51	Bolt M8 x 16	018000500
52	Washer M8	088001800
53	Front Top Cover	303072200
54	Westwood Decal	9370
55	Decal `Blade Danger`	35803300
56	Safety Frame Guard L/H	301070100
57	Safety Frame Guard R/H	301070200
58	Screw M8 x 25mm	01902300
59	Washer M8	088001800
60	Nut Nyloc M8	04850600
61	Front Lower Cover	303072300
62	Screw M8 x 25mm	01902300
63	Washer M8	088001800
64	Nut Nyloc M8	04850600
65	Screw M12 x 40mm	028002100
66	Washer M12	089418500
67	Scarifying Tine	169381600
68	Spacer 23mm	183023700
69	Plain Nut 1" BSF	049381700
70	Bearing 6203 3RS	10811600
71	Washer 5/16" T4 HP	08819500
72	Nut Nyloc M12	049381100
73	Screw M8 x 8mm	028002000
74	Screw M6 x 16mm	019479200
75	Washer, Spring M6	089418400
76	Washer M6	088000300

OCTOBER 2003

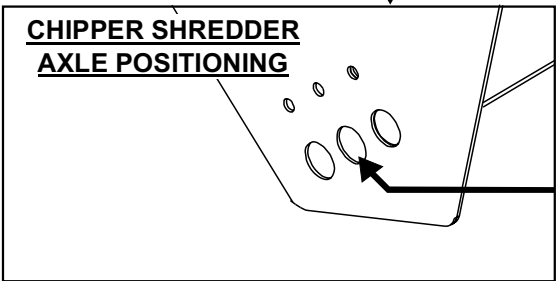
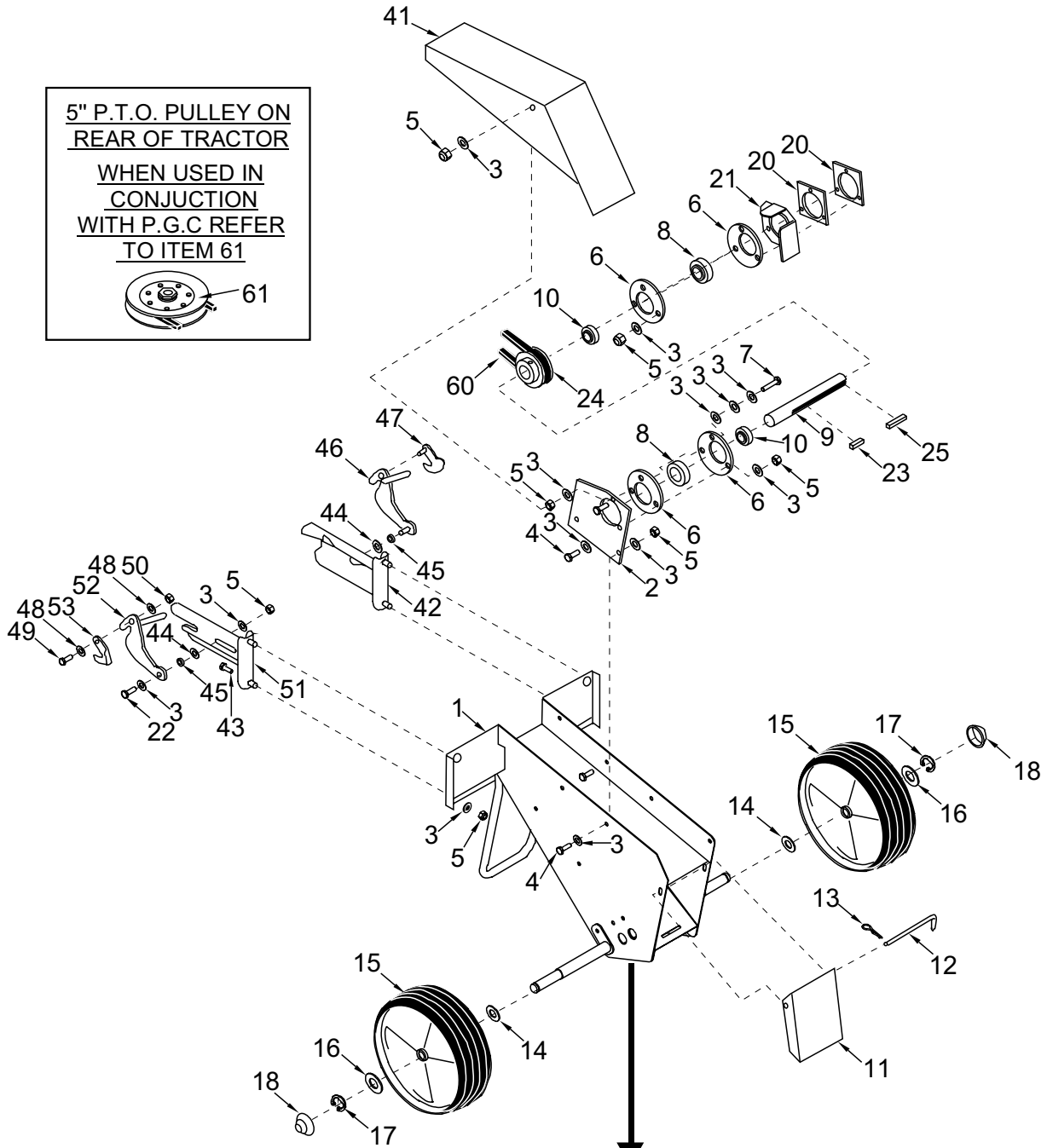
WESTWOOD CHIPPER SHREDDER ASSEMBLY



DRWG No: A0180101
ISSUE No: 1

WESTWOOD CHIPPER SHREDDER ASSEMBLY

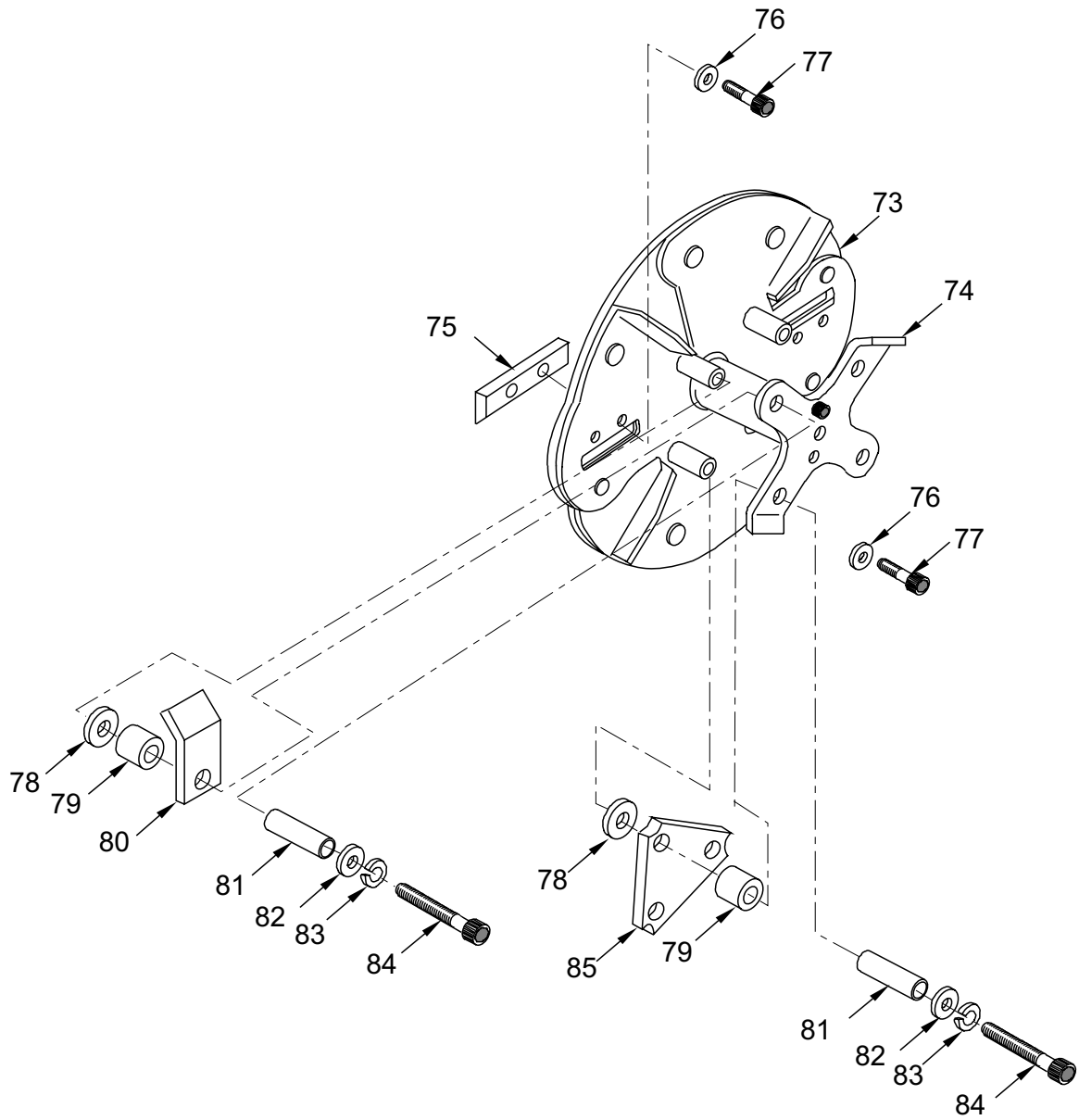
5" P.T.O. PULLEY ON
REAR OF TRACTOR
WHEN USED IN
CONJUNCTION
WITH P.G.C REFER
TO ITEM 61



ALL WESTWOOD
TRACTORS

**DRWG No: A0190101
ISSUE No: 1**

**WESTWOOD
CHIPPER SHREDDER
ROTOR ASSEMBLY**



DRWG No: A0200101
ISSUE No: 1

WESTWOOD CHIPPER SHREDDER ASSEMBLY

	PART DESCRIPTION	PART NUMBER
1	Body	327005401
2	Bearing Holder Plate	301017900
3	Washer 5/16" T4 HP	08819700
4	Set Screw 5/16" x 1" UNF	02819600
5	Nyloc Nut 5/16" UNF	04827500
6	Bearing Plate	528000900
7	Bolt 5/16" x 1 1/2" UNF	01820700
8	Bearing	528000900
9	Pulley Shaft	183003700
10	Bearing Collar	528000900
11	Toolkit Cover	301018100
12	Toolkit Locking Pin	183003300
13	R - Clip 2mm	06849100
14	Wheel Washer	08822900
15	Wheel	19840500
16	Galvanised Washer	08884500
17	E - Clip 19mm	07921200
18	Hub Cap	14811800
19	Rotor Plate	528001100
20	Pulley Spacer Plate	301018300
21	Belt Guard	301018200
22	Bolt 5/16 x 1 1/4" UNF	01820600
23	Key 1/4' x 1/4" x 1"	09830600
24	"V" Pulley	208000100
25	Key 1/4" x 1/4" x 2"	09863000
26	Rotor	528001200
27	Spring Washer 5/16" S/C	528002200
28	Rotor Cover	301017800
29	Set Screw 5/16" x 1/2" UNC S/C	028000400
30	Nut 5/16" UNC Flanged	048000300
31	Rear Chute	528001500
32	Bolt 5/16" x 3.3/4" UNC S/C	528002800
33	Locknut 5/16" UNC	04822200
34	Rotor Back Plate	528001400
35	Funnel Holder Plate	528001000
36	Funnel	148001800
37	Collector Bin Mounting Plate	528001600
38	Washer 5/16" S/C	088001000
39	Collector Bin	148002100
40	Cover Plate	528001300
41	Pulley Cover	301018001

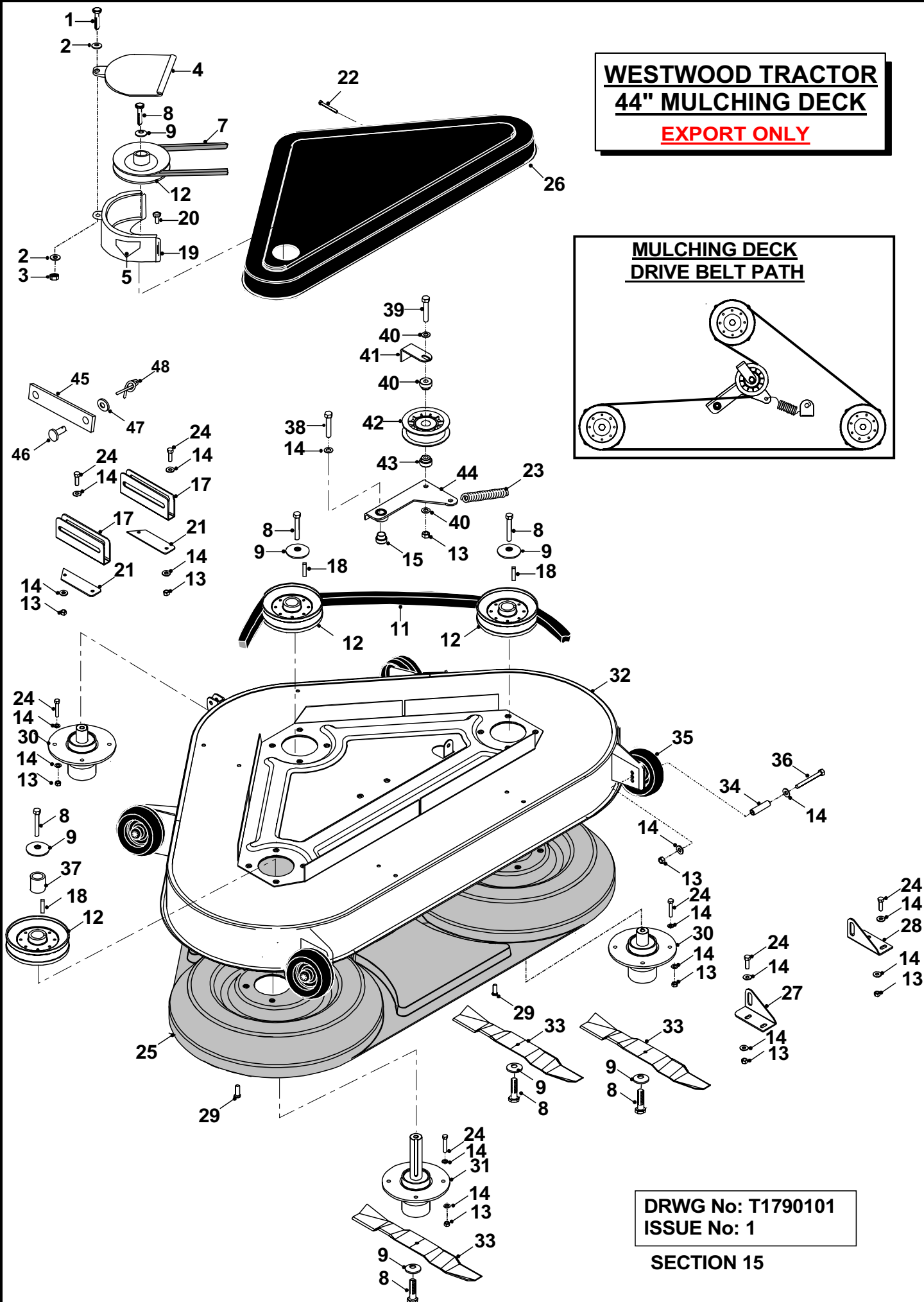
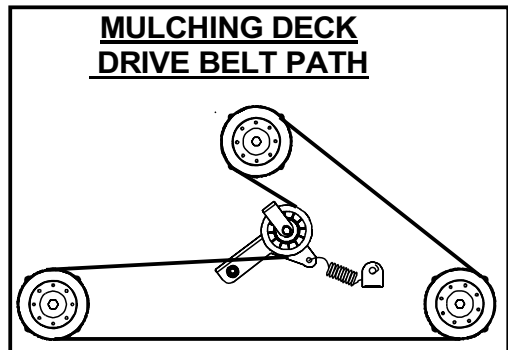
WESTWOOD CHIPPER SHREDDER ASSEMBLY

42	Lift Channel L/H Lift Channel L/H (V20/50H manual lift tractor)	327005700 327179400
43	Set Screw 5/16" x 3/4" UNF	02827600
44	Nylon Washer 1/2"	08850500
45	Spacer 5/16" x 7mm	31302800
46	Lift Hook L/H	27707700
47	Locking Lug Plate L/H	30149800
48	Washer 1/4" T3 LP	08827800
49	Bolt 1/4" x 1" UNF	02844700
50	Nyloc Nut 1/4" UNF	04819400
51	Lift Channel R/H	327005800
52	Lift Hook R/H Lift Hook R/H (V20/50H manual lift tractor)	27707800 327179500
53	Locking Lug R/H	30150300
54	Wire Basket	528003000
55	Washer M6 Black	528002900
56	Bolt M6 x 25mm Black	018001400
57	Flanged Nut M6	048000400
58	Roofing Bolt M8 x 20mm	018001500
59	Flanged Nut M8	048000500
60	Belt Dayco BX67 Belt Dayco BX72	228000400 228002000
61	Pulley When the P.G.C. is being fitted the Dayco A50 belt (supplied with kit) should be used to replace the SPZ1212 belt	228000400
62	Washer	08941800
63	Spacer 15mm	183004500
64	Bolt M8 x 20mm	02825900
65	Washer 5/16" T4	08819700
66	Nut M8 Nyloc	04850600
67	Flap Guide	14949200
68	Hopper Guard	14949300
69	Guard Plate	14949400
70	Funnel Guard	14949500
71	Westwood Decal	9370
72	Decal "Blade Danger"	35803300
73	Collector Bag	38897300
74	Rotor Plate	528001700
75	Rotor Cutter Blade	528002500
76	Spring Washer (small) 5/16" S/C	528002700

WESTWOOD CHIPPER SHREDDER ASSEMBLY

77	Bolt 5/16" UNF x 5/8" Long	02902400
78	Washer 3/8" Flat S/C	528002200
79	Rotor Bush (Short)	528001800
80	Rotor 'J' Hammer	52800200
81	Rotor Bush (Long)	528002100
82	Washer 7/8" T3 LP	08826800
83	Rotor Spring Washer (large)	528002300
84	Allen Head Screw 3/8" UNC x 2" Special	08125800
85	Rotor Triangular Hammer	528001900

WESTWOOD TRACTOR
44" MULCHING DECK
EXPORT ONLY



DRWG No: T1790101
ISSUE No: 1
SECTION 15

**WESTWOOD TRACTOR
44" MULCHING DECK
PARTS LIST**

	PARTS DESCRIPTION	PART NUMBER
1	S/Screw 1/4" UNF x 3/4"	02827700
2	Washer 1/4" T3 LP	08827800
3	Nut 1/4" UNF Nyloc	04819400
4	Pulley Cover Lid	148004000
5	Decal "Blade Danger"	35803300
7	Belt Dayco Super II B56	22940100
8	S/Screw 3/8" UNF x 1.1/4"	02825300
9	Washer Dome 3/8" id x 3/4" x 1/8"	08819900
11	Deck Drive Belt Dayco Super II B85	228000800
12	Deck Pulley (5")	20869501
13	Nut 5/16" UNF Nyloc	04827500
14	Washer 5/16" T4 HP	08819700
15	Jockey Pulley Pivot	183012500
16	Jockey Pulley Plate Assembly	405005700
17	Deck Front Hanging Bracket	301056200
18	Key 1" x 1/4" Square	09830600
19	Top Cover Driving	327000400
20	Rivet	12949400
21	Deck Bracket Packer	301043000
22	Self Tapping Screw	02913100
23	Deck Belt Tension Spring	25906200
24	S/Screw 5/16" UNF x 1"	02819600
25	44" Mulcher Deck Liner	148003900
26	44" Mulcher Deck Lid Cover	148004000
27	Mulcher Rear Hanging Bracket (R/H)	301062800
28	Mulcher Rear Hanging Bracket (L/H)	301062700
29	Rivet	12868600
30	Deck Bearing Housing (Short Shaft)	40503703
31	Deck Bearing Housing (Long Shaft)	40503503
32	44" Mulcher Deck Welded Assembly	327016000
33	17" Mulcher Blade	169381200
34	Scalp Wheel Hub	31337600
35	Anti Scalp Wheel	149495800
36	Bolt 5/16" x 2.3/4"	01821200
37	Deck Drive Pulley Spacer (39mm)	31328301
38	M8 x 45 S/Screw	02941000
39	Bolt 5/16" UNF x 1.3/4" lg	01820800
40	Washer 5/16" UNF T3	08819500
41	Belt Retaining Bracket	27105800
42	Jockey Wheel Spacer	18831600
43	Jockey Pulley	20811500
44	Deck Belt Tension Plate	32734600
45	Deck Tension Bar	29203800
46	Deck Push Rod Pin	31338200
47	Washer 3/8" T3 HP	08820100
48	Rue Clip	11836700