

OREC

ISSUED NO. RM980F EUO-1

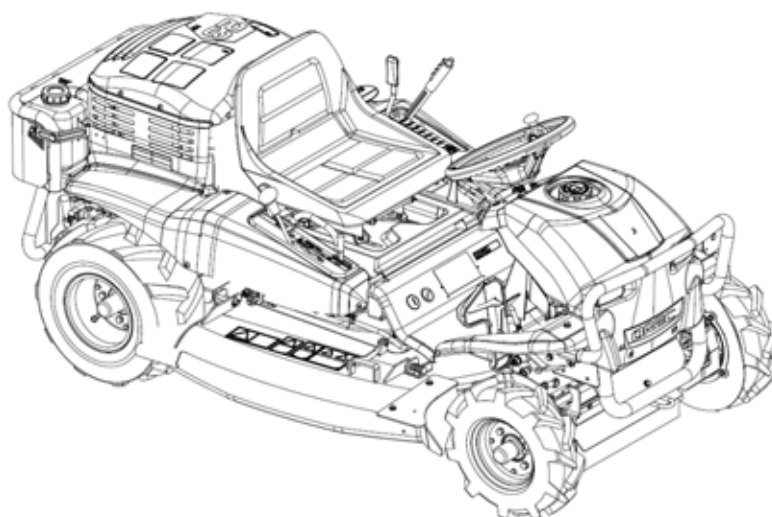
Parts catalogue

Rabbit Mower

(EXPORT MODEL)

RM980F

MODEL	CODE
RM980F	0227-



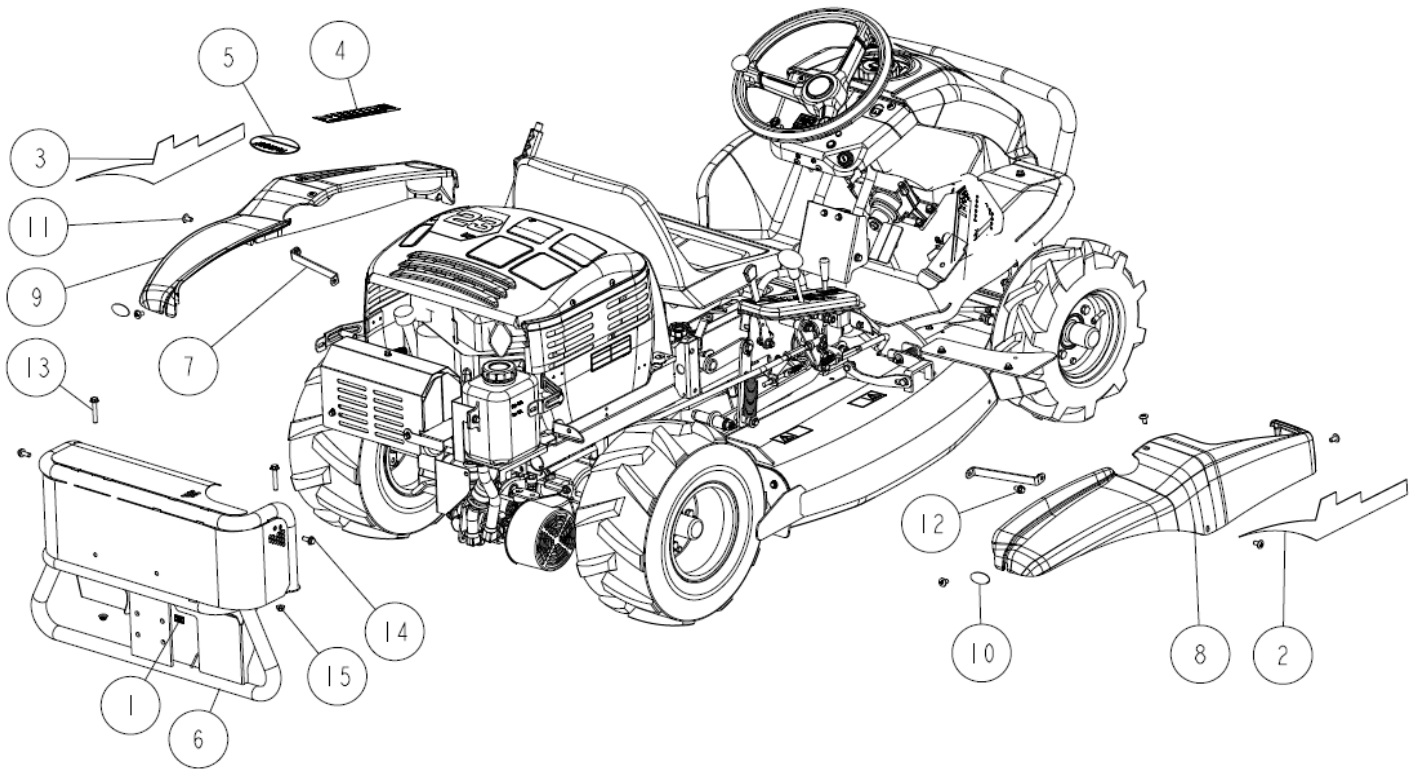
CONTENTS	
FRAME	1-14
TRANSMISSION	15-23
HST	24-25
STEERING	26-28
FRONT	29-33
CONTROL	34-38
CUTTING	39-45
SEAT	46-48
ENGINE	49-53

OREC CO.,LTD

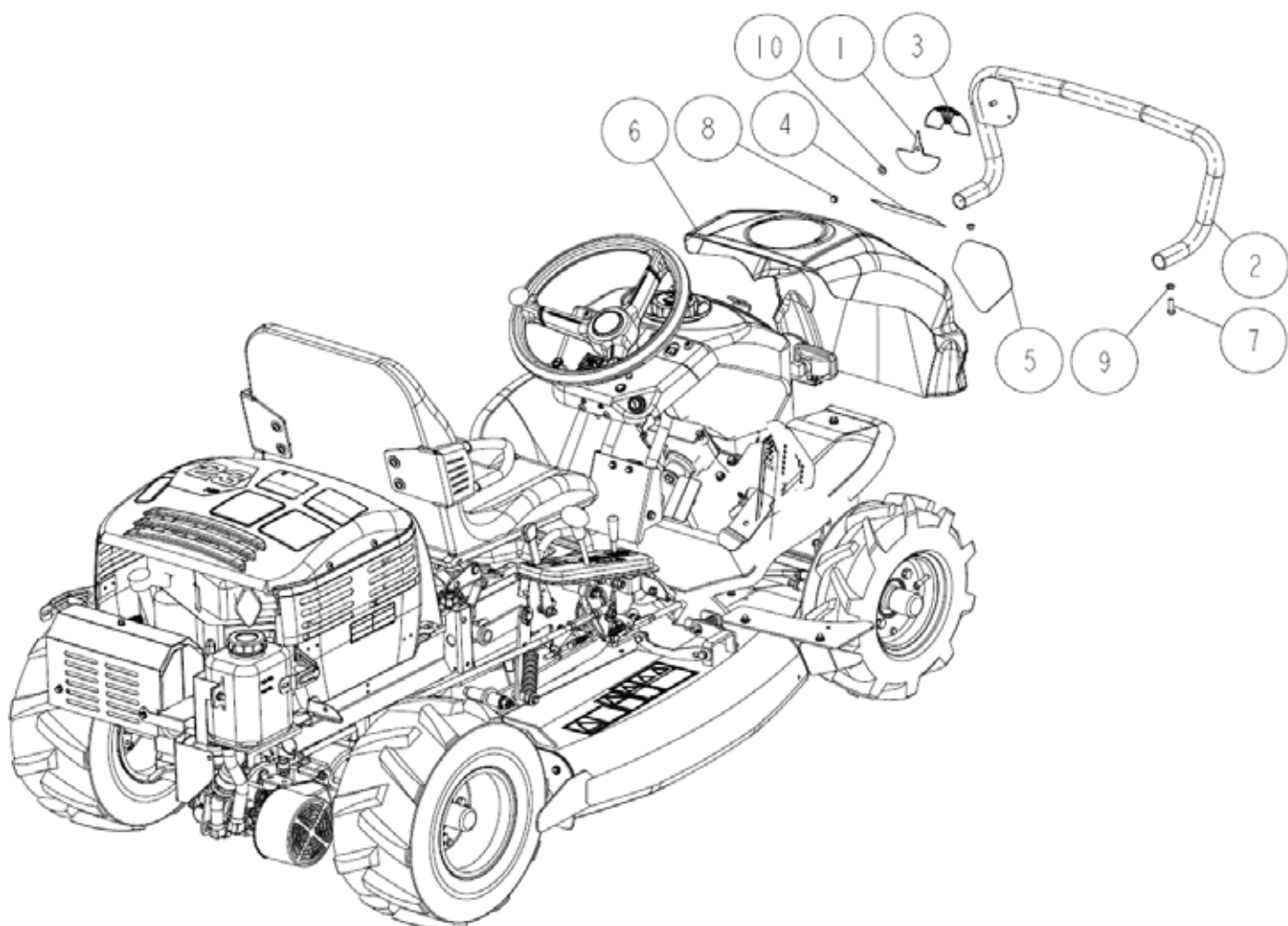
Update : February 2012

MEMO

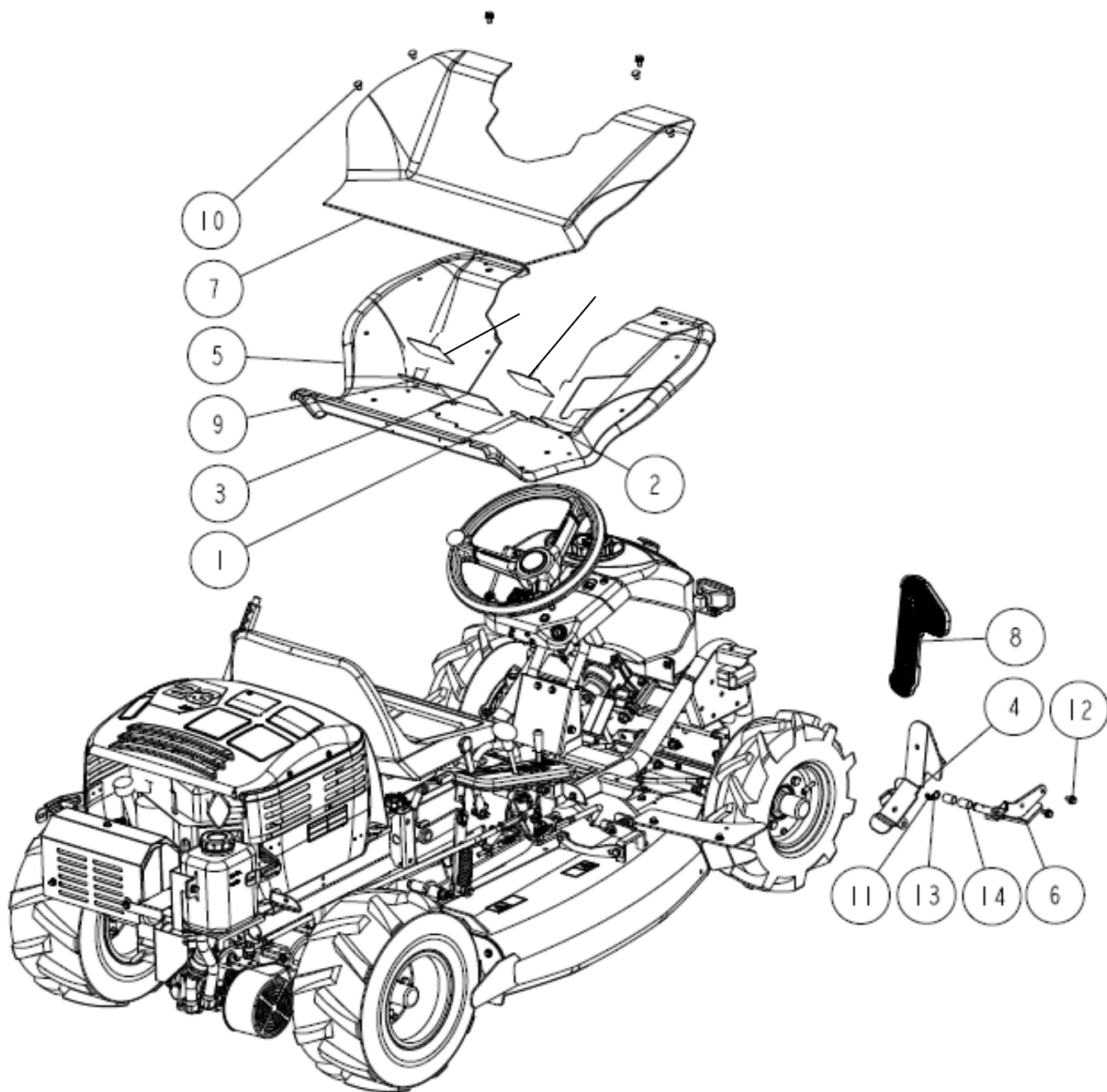
- *1) Interchangeable
- *2) Serial Number :RM980F : ~JW11L00236
- *3) Serial Number : RM980F : JW11M255~



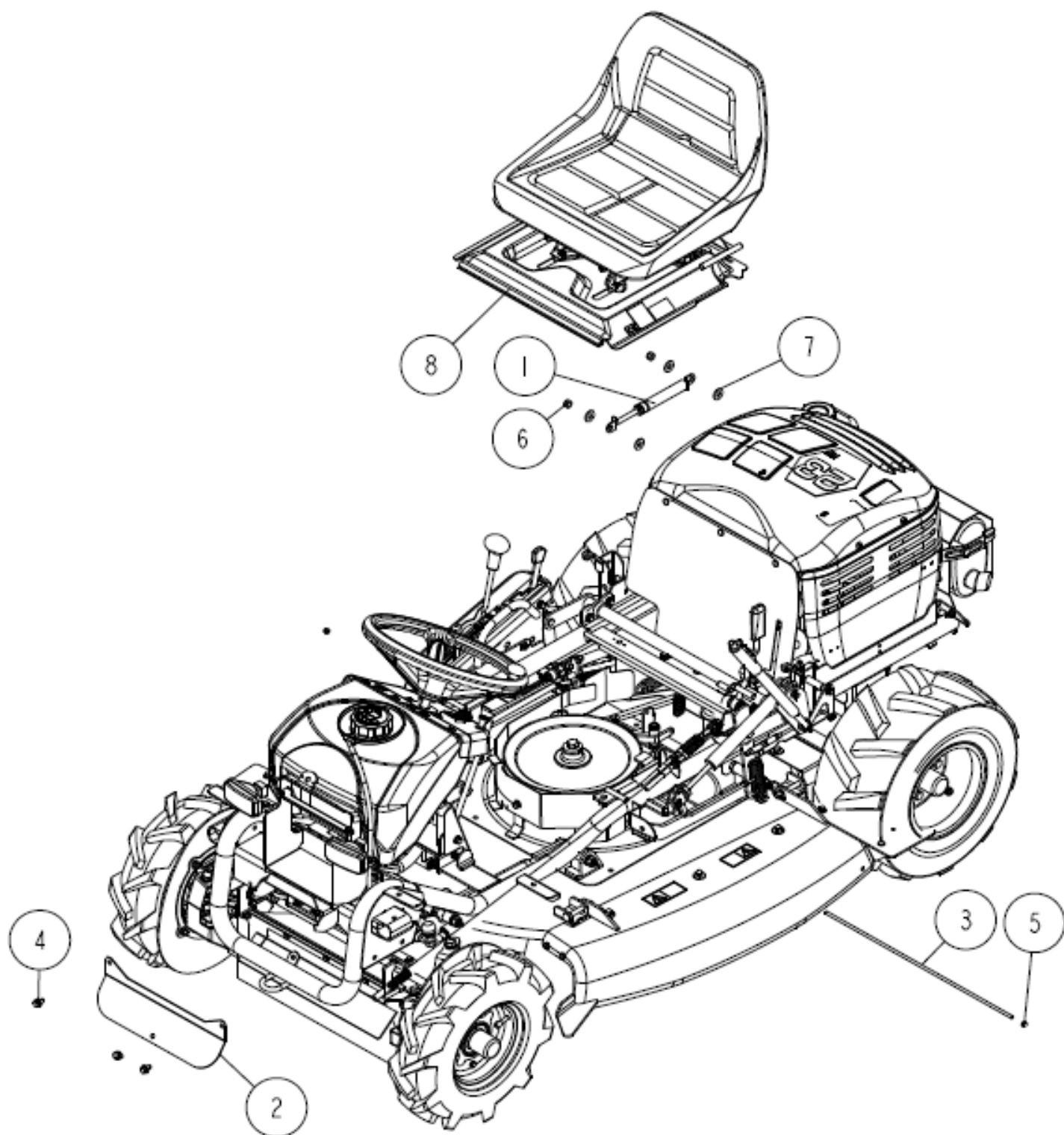
Ref.	Parts Number	Parts Name	Quantity	Remarks
1	0217-70800	Label, Gear Oil 1.0L	1	
2	0227-71300	Label, Right Side (4WD)	1	
3	0227-71400	Label, Left Side (4WD)	1	
4	0227-74500	Label, Cutting Height Adjusting (13380)	1	
5	0227-75500	Label, Model RM980F	1	
6	0227-82300	Sub Frame CMP (RM980F)	1	
7	0244-22400	Side Cover Stay CMP	2	
8	0244-60110	Side Cover (R) Red	1	
9	0244-60210	Side Cover (L) Red	1	
10	0244-81800	Reflection Seat	2	
11	89-1159-080168	Truss Mini Screw M8*16	8	
12	89-1233-080162	Mini Hexagonal Bolt (PWSW) M8*16	2	
13	89-1251-080502	Flange Mini Hexagonal Bolt M8*50	2	
14	89-1253-080202	Flange Mini Hexagonal Bolt (8T) M8*20	2	
15	89-1631-080042	Flange Mini Hexagonal Nut M8	2	



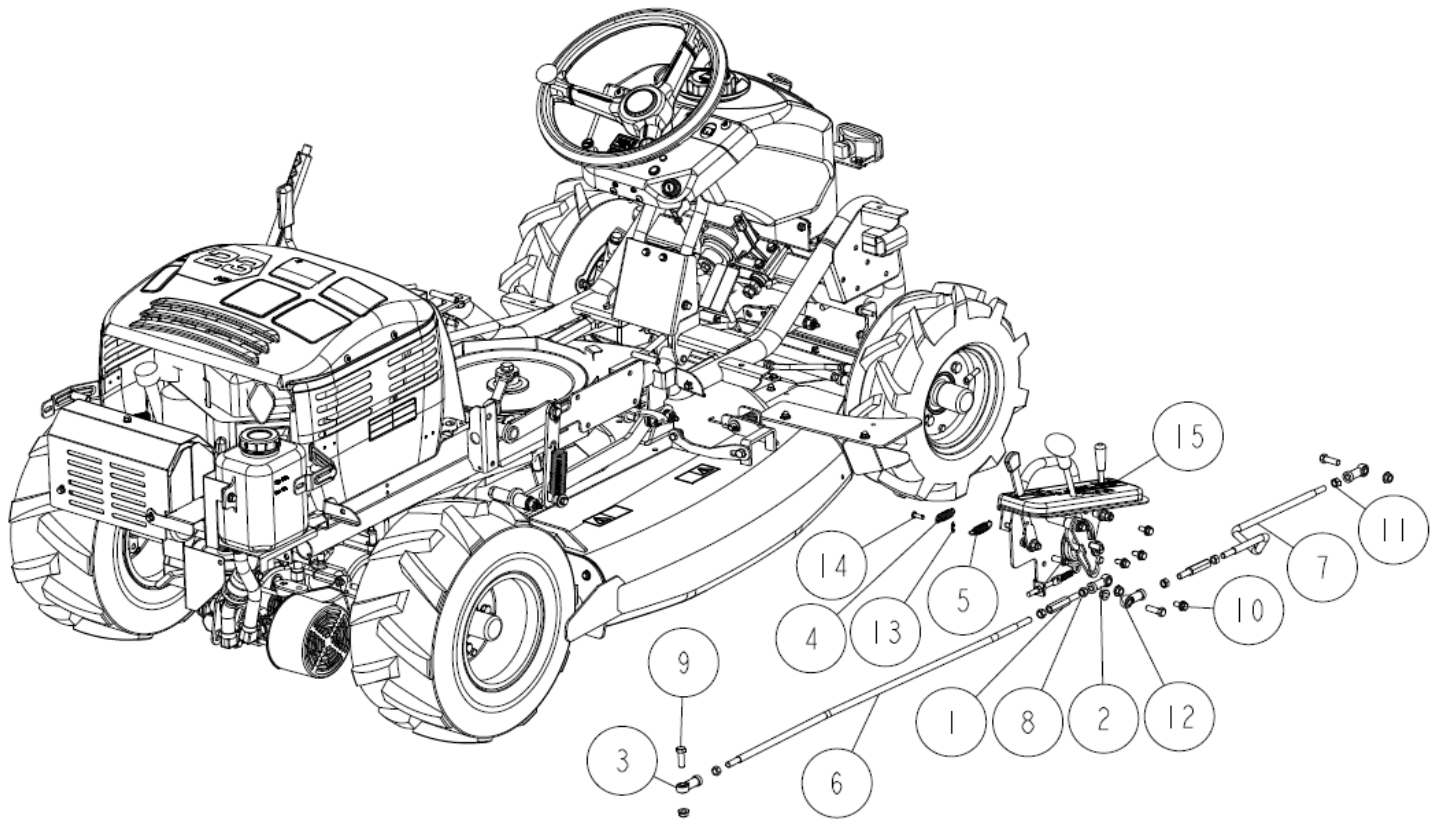
Ref.	Parts Number	Parts Name	Quantity	Remarks
1	0227-12200	Pointer for Clinometer	1	
2	0227-22500	Front Bumper CMP	1	
3	0227-71200	Clinometer Label	1	
4	0227-71600	Label, Main (OREC)	1	
5	0227-71500	Label, Front (4WD)	1	
6	0244-60600	Front Cover	1	
7	89-1211-080252	Mini Hexagonal Bolt M8*25	2	
8	89-1563-080002	Bag Hexagonal U Nut M8	1	
9	89-1611-080042	Mini Hexagonal Nut M8	2	
10	89-1711-080002	Flat Washer 8	1	



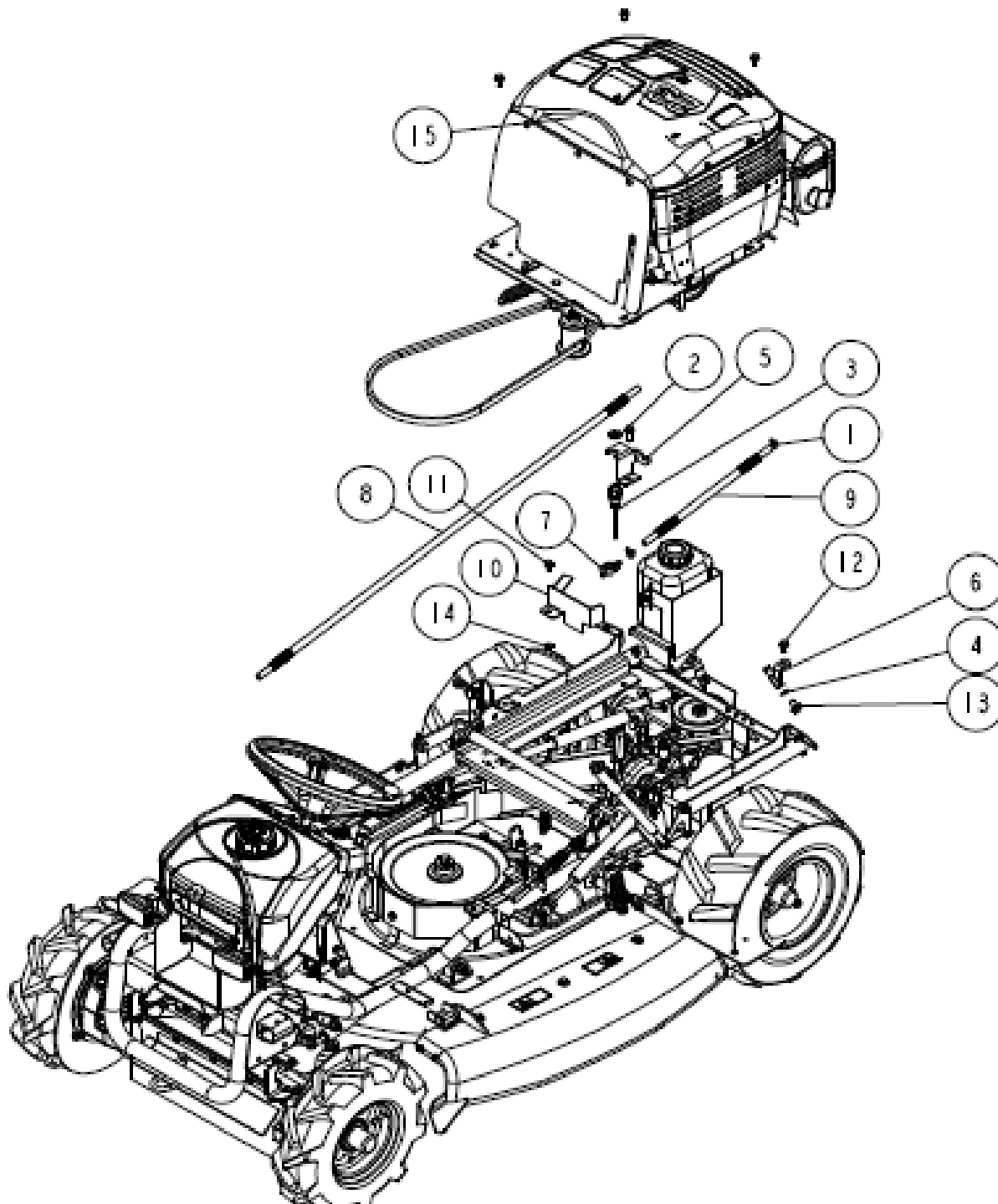
Ref.	Parts Number	Parts Name	Quantity	Remarks
1	0215-83100	Attention Mark for Slope	1	
2	0215-83200	Label, Protection Equipment	1	
3	0223-76100	Label, Caution (Large)	1	
4	0227-10100	Change Pedal CMP	1	
5	0227-20300	Step CMP	1	
6	0227-21200	Pedal Base CMP	1	
7	0227-20500	Step Rubber	1	
8	0290-72100	Change Pedal Rubber	1	
9	83-1310-902-00	OREC Mark	1	
10	83-1484-369-00	Clip (5347)	15	
11	83-1515-975-00	Grease Nipple C-Type M6	1	
12	89-1233-080162	Mini Hexagonal Bolt (PWSW) M8*16	6	
13	89-2511-000160	Snap Ring (S16)	1	
14	89-3510-016250	DU Bush 16.25	2	
15	80-1488-921-00	Label Pedal Stopper (13113)	1	
16	0259-80800	Label, Grease (13260)	1	



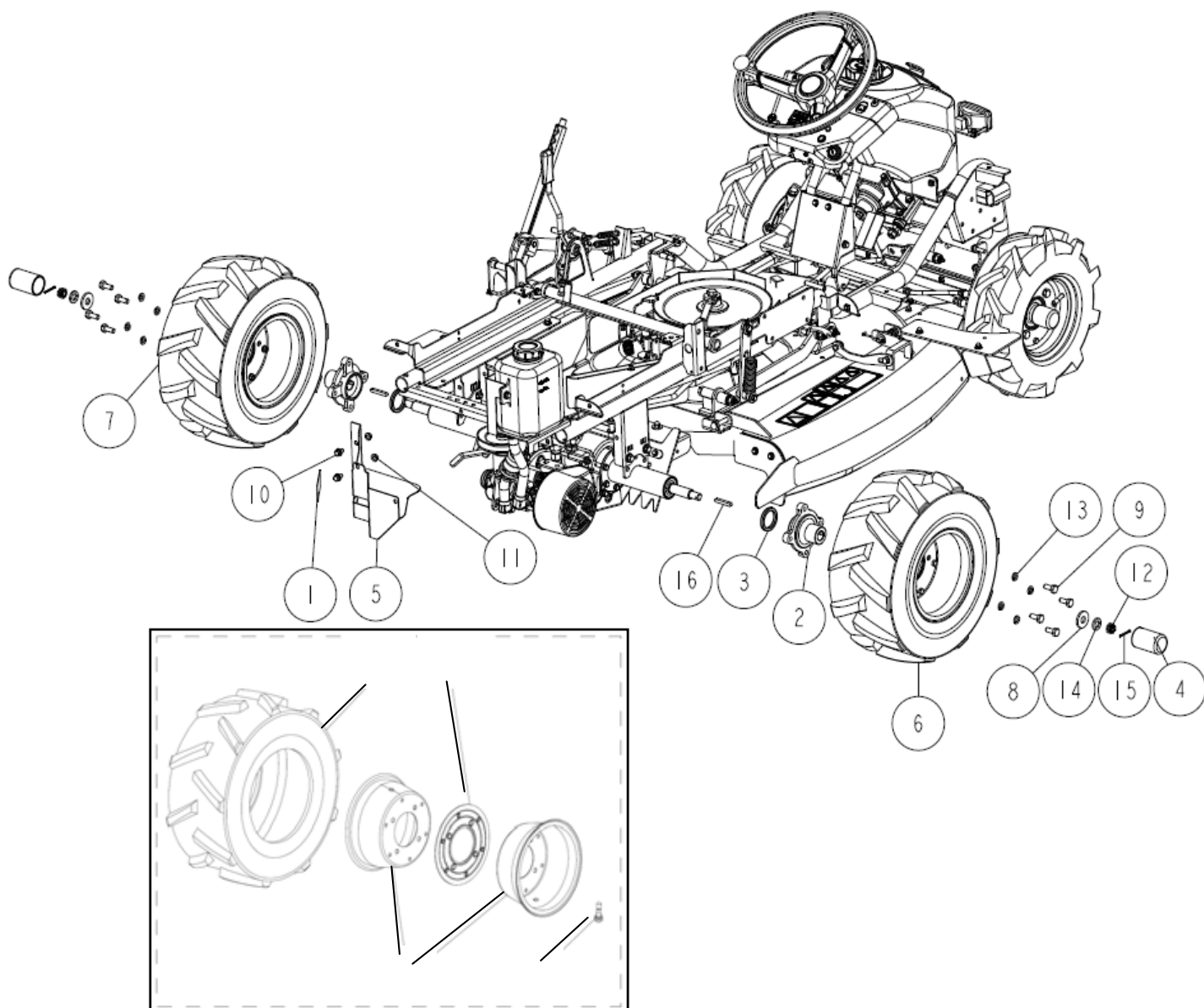
Ref.	Parts Number	Parts Name	Quantity	Remarks
1	0207-72700	Gas Spring KMF 50-40	1	
2	0227-20400	Front Guard	1	
3	0244-22200	Seat Bracket Shaft	1	
4	89-1233-080162	Mini Hexagonal Bolt (PWSW) M8*16	3	
5	89-1553-060002	Bag Hexagonal U Nut M6	2	
6	89-1561-100002	Mini Hexagonal U Nut M10	2	
7	89-1711-100002	Flat Washer 10*18*1.6	4	
8	-	Seat Part		Page 46



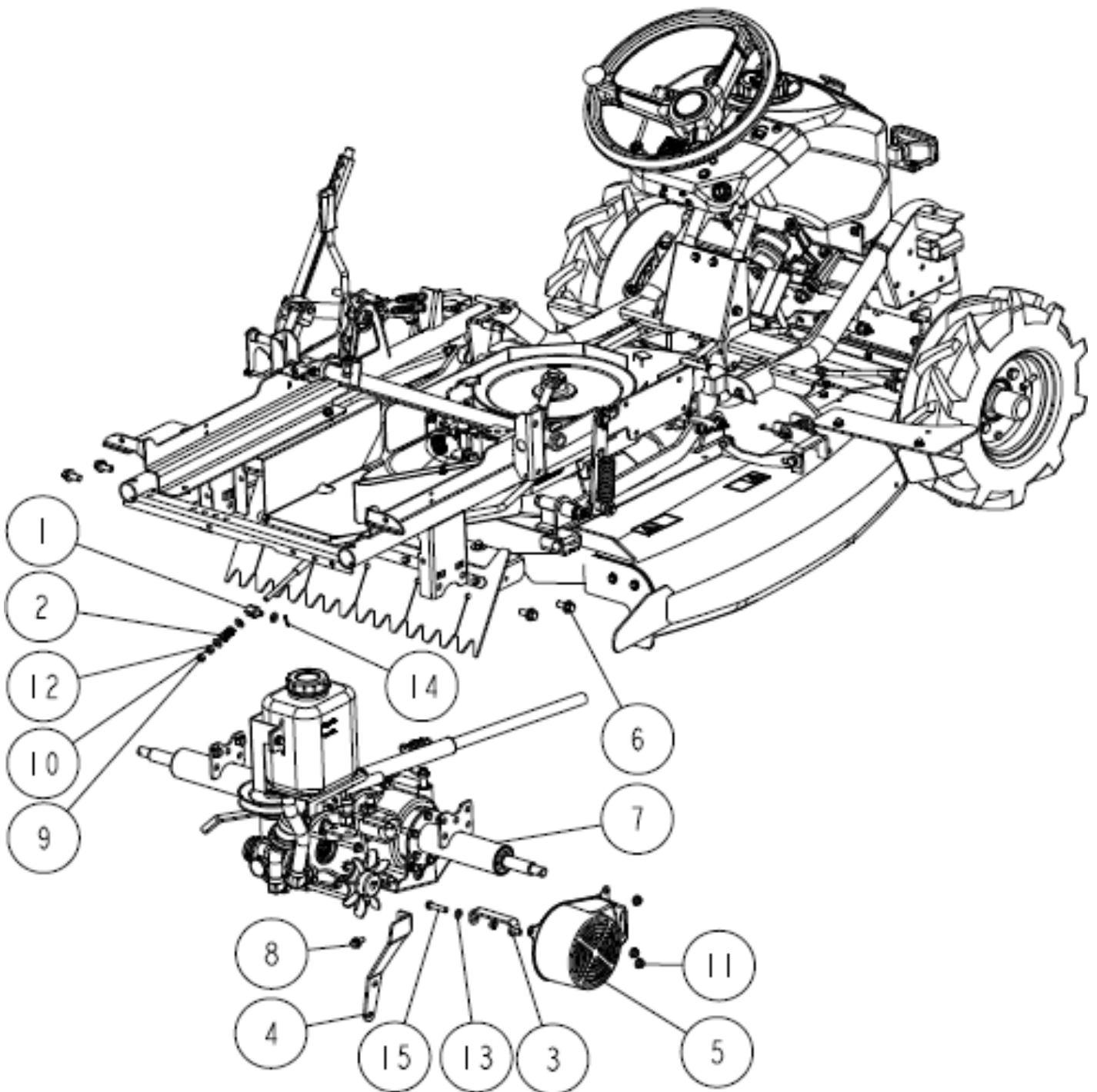
Ref.	Parts Number	Parts Name	Quantity	Remarks
1	80-1485-265-00	Shift Rod Adjuster	2	
2	80-1487-962-10	Rod End PHS10ECL	2	
3	80-1487-964-10	Rod End PHS10EC	2	
4	80-1614-315-00	Return Spring	1	
5	0208-71800	Spring, Neutral	1	
6	0244-13800	Shift Rod	1	
7	0244-13900	Change Pedal Rod	1	
8	83-1488-195-02	Mini Hexagonal Nut M10 (L)	2	
9	89-1213-100302	Mini Hexagonal Bolt (8T) M10*30	3	
10	89-1233-080202	Mini Hexagonal Bolt (PWSW) M8*20	4	
11	89-1611-100042	Mini Hexagonal Nut M10	4	
12	89-1631-100042	Flange Mini Hexagonal Nut M10	4	
13	89-2132-060002	Snap Pin 6 (with stopper)	1	
14	89-2181-060202	Flat Head Pin 6*20	1	
15	-	Control Part	1	Page 36



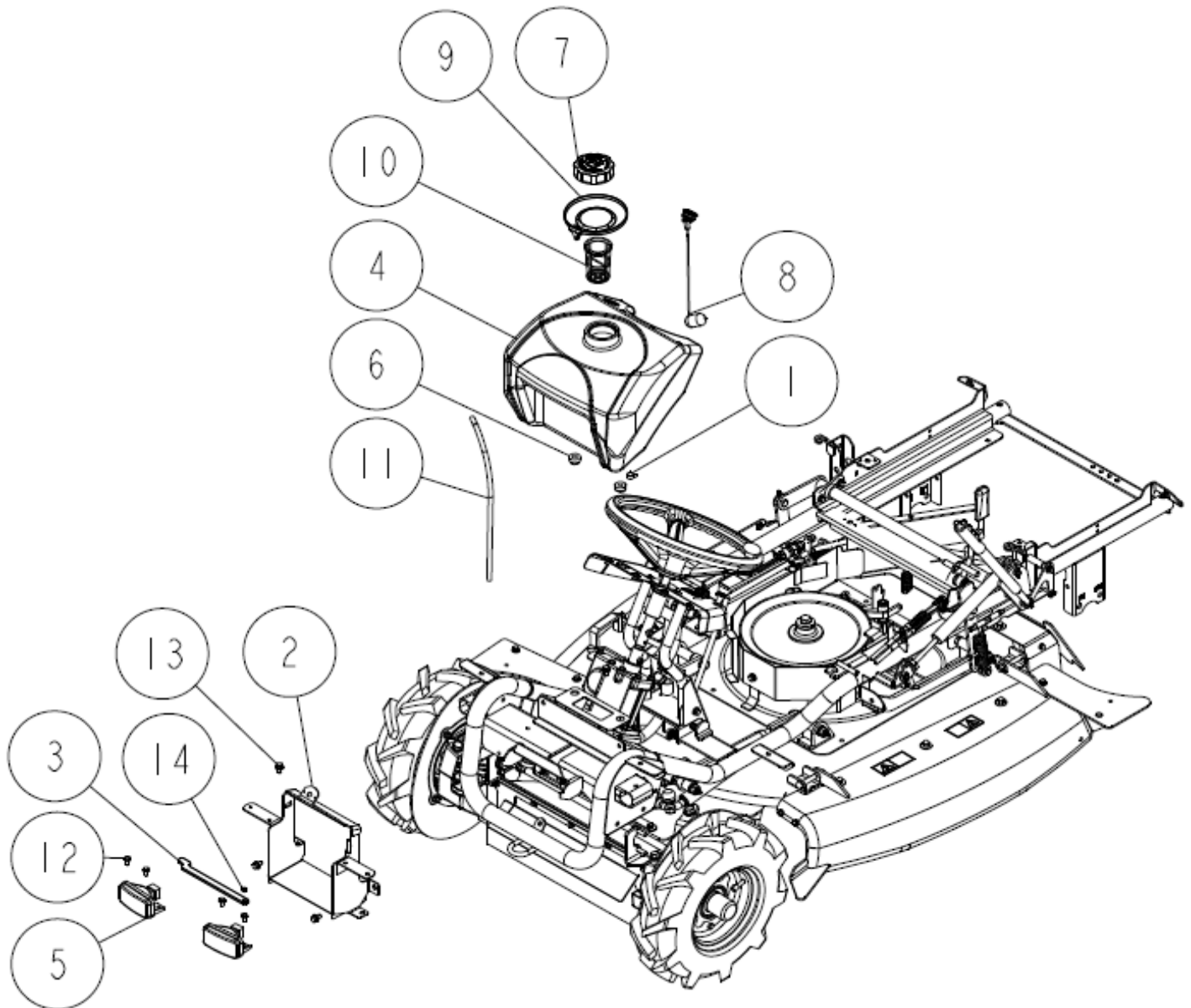
Ref.	Parts Number	Parts Name	Quantity	Remarks
1	80-1483-988-00	Hose Clip 17	3	
2	0207-72800	Switch Lock Nut	1	
3	0207-74400	Safety Switch K17850	1	
4	0207-74900	Copper Packing 12.5*19*1.0	1	
5	0244-20400	Fuel Cock Bracket	1	
6	0244-40200	Drain End CMP	1	
7	0244-74500	Fuel Cock	1	
8	0244-75200	Fuel Hose (Front)	1	
9	0244-75300	Fuel Hose (B)	1	
10	0292-82400	Protection Guard (RM97)	1	
11	89-1233-080162	Mini Hexagonal Bolt (PWSW) M8*16	1	
12	89-1233-080202	Mini Hexagonal Bolt (PWSW) M8*20	4	
13	89-1251-120152	Flange Mini Hexagonal Bolt M12*15	1	
14	89-1631-080042	Flange Mini Hexagonal Nut M8	1	
15	-	Engine Part		Page 51



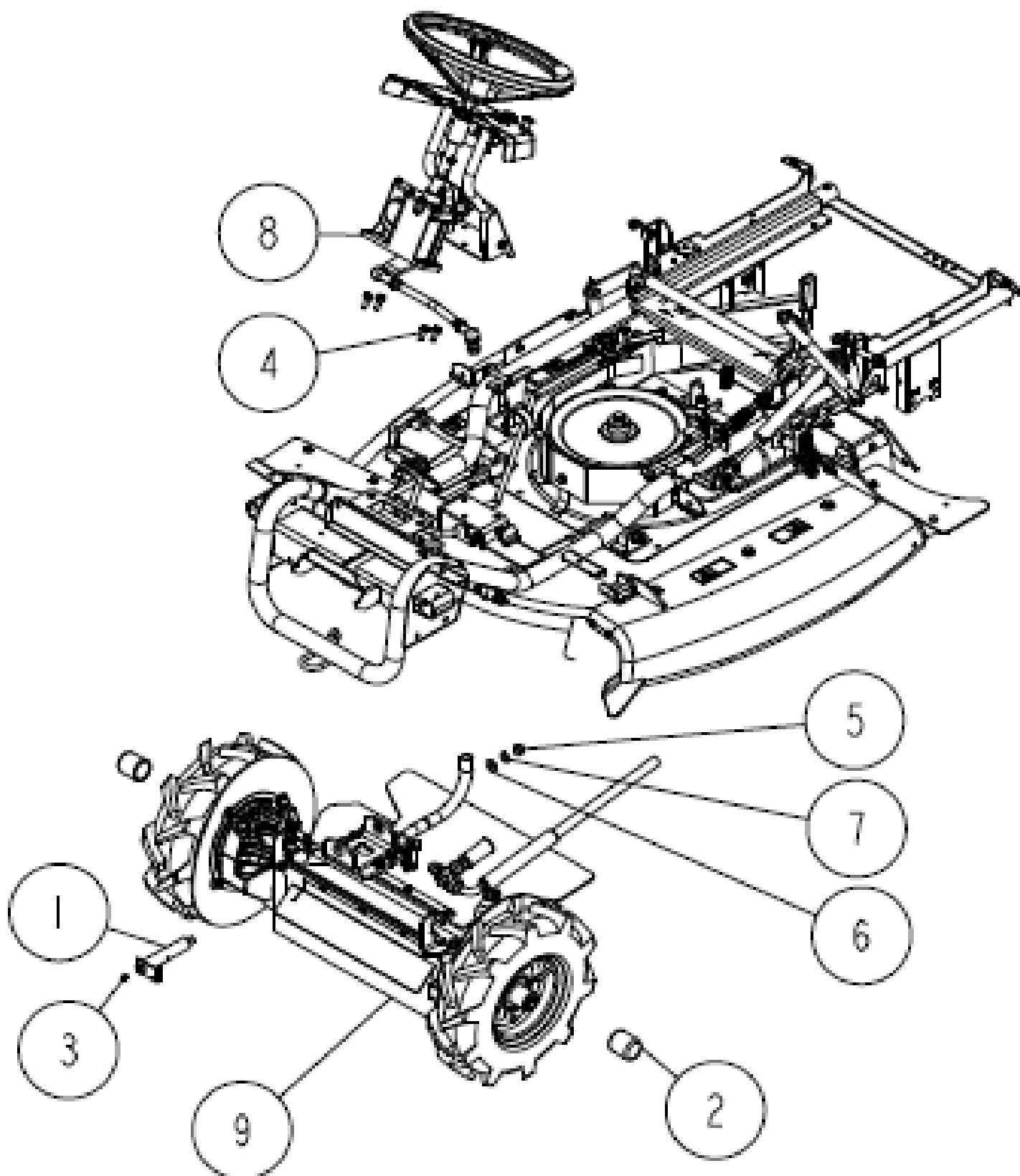
Ref.	Parts Number	Parts Name	Quantity	Remarks
1	80-1488-928-10	Label, Caution for Belt Involving	1	
2	0207-31200	Rear Wheel Boss	2	
3	0207-77800	Wheel Boss Dust Seal	2	
4	0227-70600	Rear Wheel Cap (φ42*75L)	2	
5	0227-81500	Rear Belt Cover (RM980F)	1	
6	0244-78400	Tire (R) Assy (17*8.00-8)	1	
7	0244-78500	Tire (L) Assy (17*8.00-8)	1	
8	83-1630-335-00	Washer 16*40*4.5	2	
9	89-1113-100252	Hexagonal Bolt (8T) M10*25	8	
10	89-1233-080162	Mini Hexagonal Bolt (PWSW) M8*16	3	
11	89-1631-080042	Flange Mini Hexagonal Nut M8	3	
12	89-1658-160042	Low Fluted Nut (2 sorts) M16	2	
13	89-1750-100002	Spring Washer 10	8	
14	89-1750-160002	Spring Washer 16	2	
15	89-2120-350352	Split Pin 3.5*35	2	
16	89-2150-070500	Key 7*50 (round)	2	
17	0244-78600	Tire (17*8.00-8 , BS / FM2)	2	
18	0244-78800	Wheel Assy 17*800-8	2	
19	0244-78700	Packing (17*8.00-8)	2	
20	0244-84300	Rear Wheel Bulb (TR413)	2	



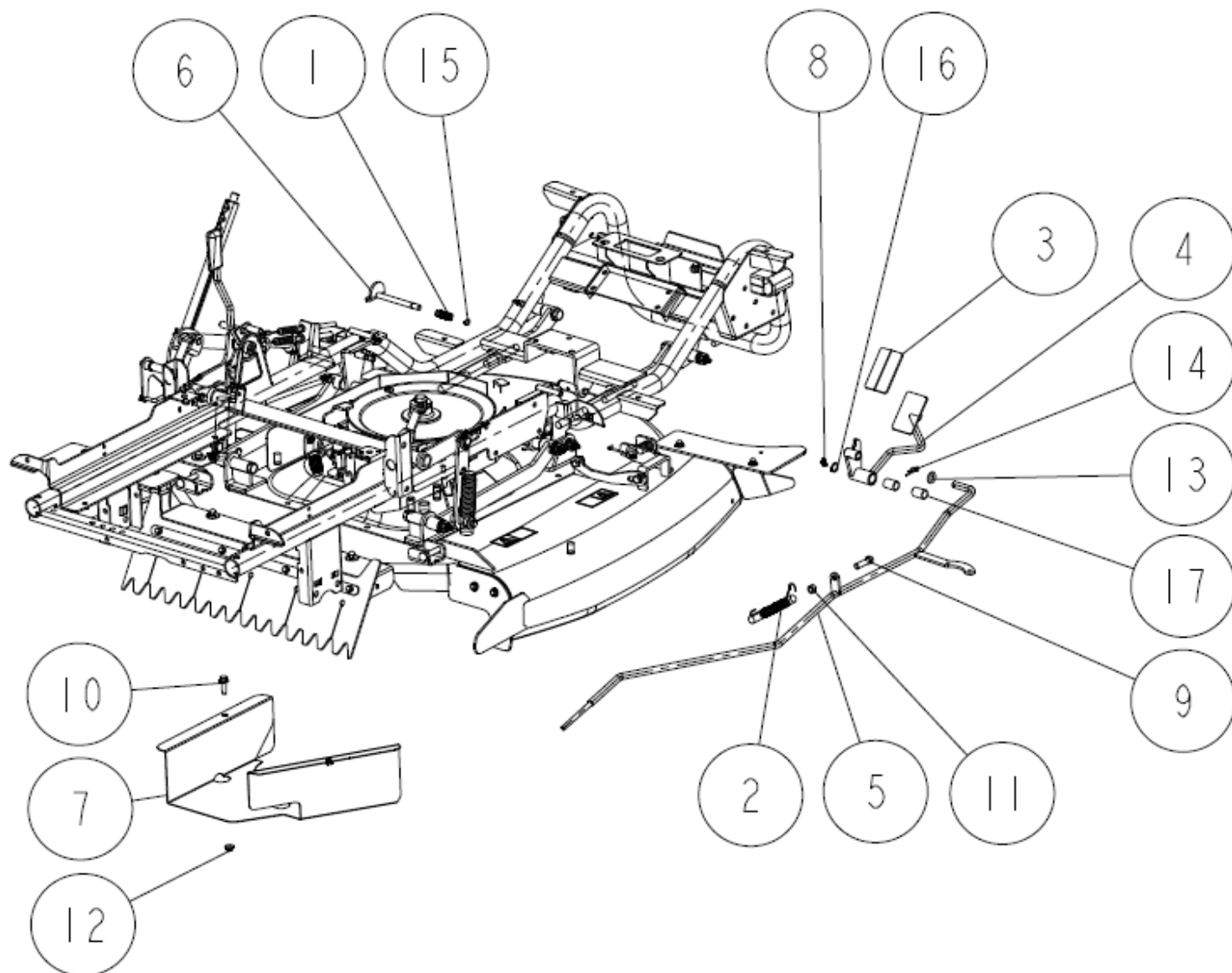
Ref.	Parts Number	Parts Name	Quantity	Remarks
1	0207-10300	Brake Joint	1	
2	0207-75400	Brake Spring 30	1	
3	0227-02200	Fan Cover Setting CMP	1	
4	0227-02500	Transmission Hunger Stay	1	
5	0227-02900	Fan Cover CMP	1	
6	0244-83200	Mini Hexagonal Bolt (PWSW) M10*25 (7T Lo	4	
7	-	Mission Part	1	Page 17
8	89-1233-080202	Mini Hexagonal Bolt (PWSW) M8*20	1	
9	89-1561-080002	Mini Hexagonal U Nut M8	1	
10	89-1611-080042	Mini Hexagonal Nut M8	2	
11	89-1631-080042	Flange Mini Hexagonal Nut M8	3	
12	89-1711-080002	Flat Washer 8	3	
13	89-1750-080002	Spring Washer 8	1	
14	89-2120-200152	Split Pin 2*15	1	
15	89-1211-080352	Mini Hexagonal Bolt M8*35	1	



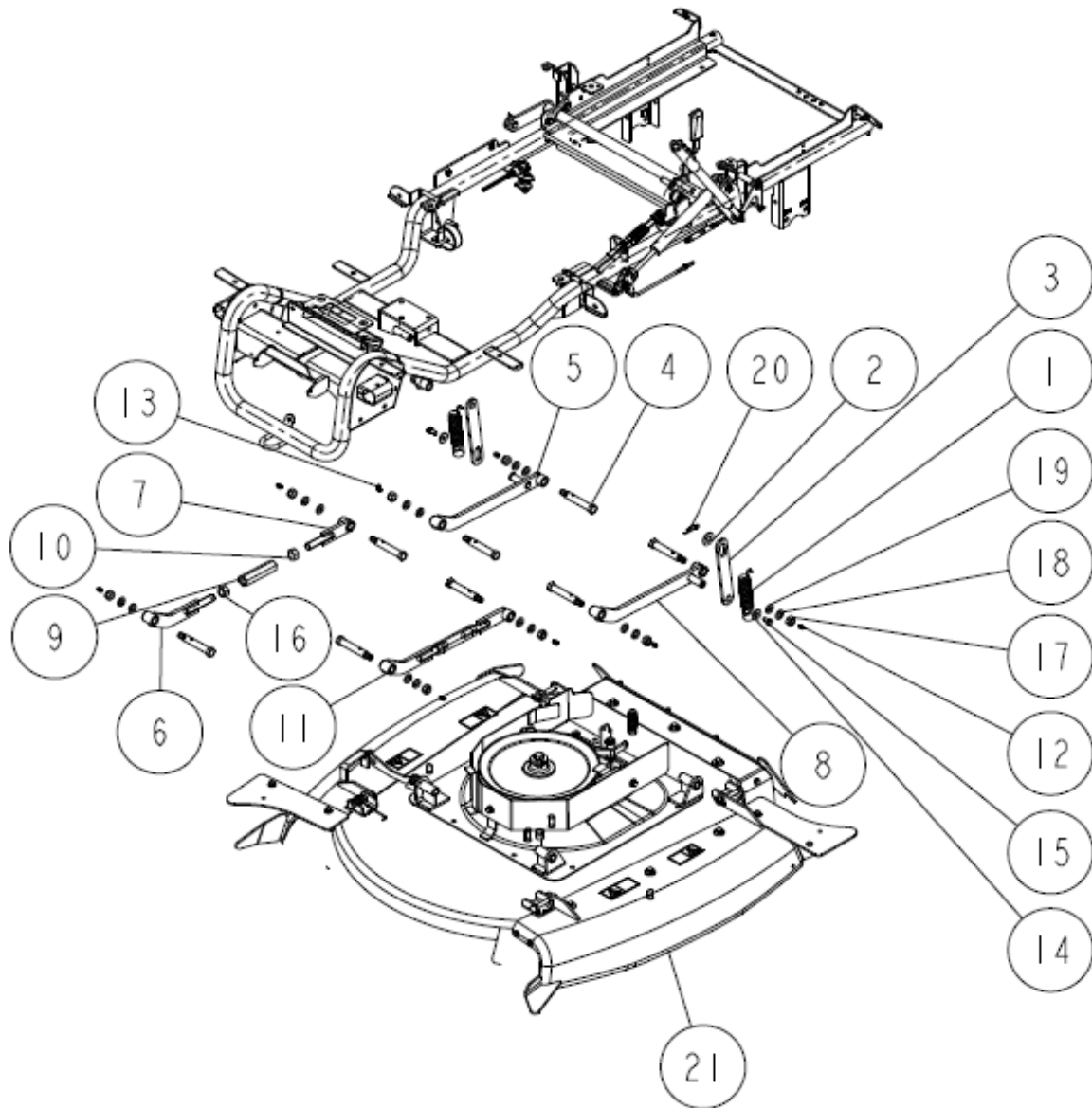
Ref.	Parts Number	Parts Name	Quantity	Remarks
1	80-1483-988-00	Hose Clip 17	1	
2	0227-82100	Battery Case CMP (RM980F)	1	
3	0244-60810	Battery Setting Stay	1	
4	0244-70100	Fuel Tank	1	
5	0244-72900	Head Lamp	2	
6	0244-73400	Fuel Tank Bush	2	
7	0244-76600	Tank Cap Assy	1	
8	0244-76700	Fuel Gauge Assy	1	
9	0244-76800	Leak Guide	1	
10	0244-76900	Filter	1	
11	0244-77800	Leak Hose	1	
12	89-1137-060152	Hexagonal Bolt (PW) M6*15	4	
13	89-1233-080162	Mini Hexagonal Bolt (PWSW) M8*16	5	
14	89-1551-060002	Hexagonal U Nut M6	2	



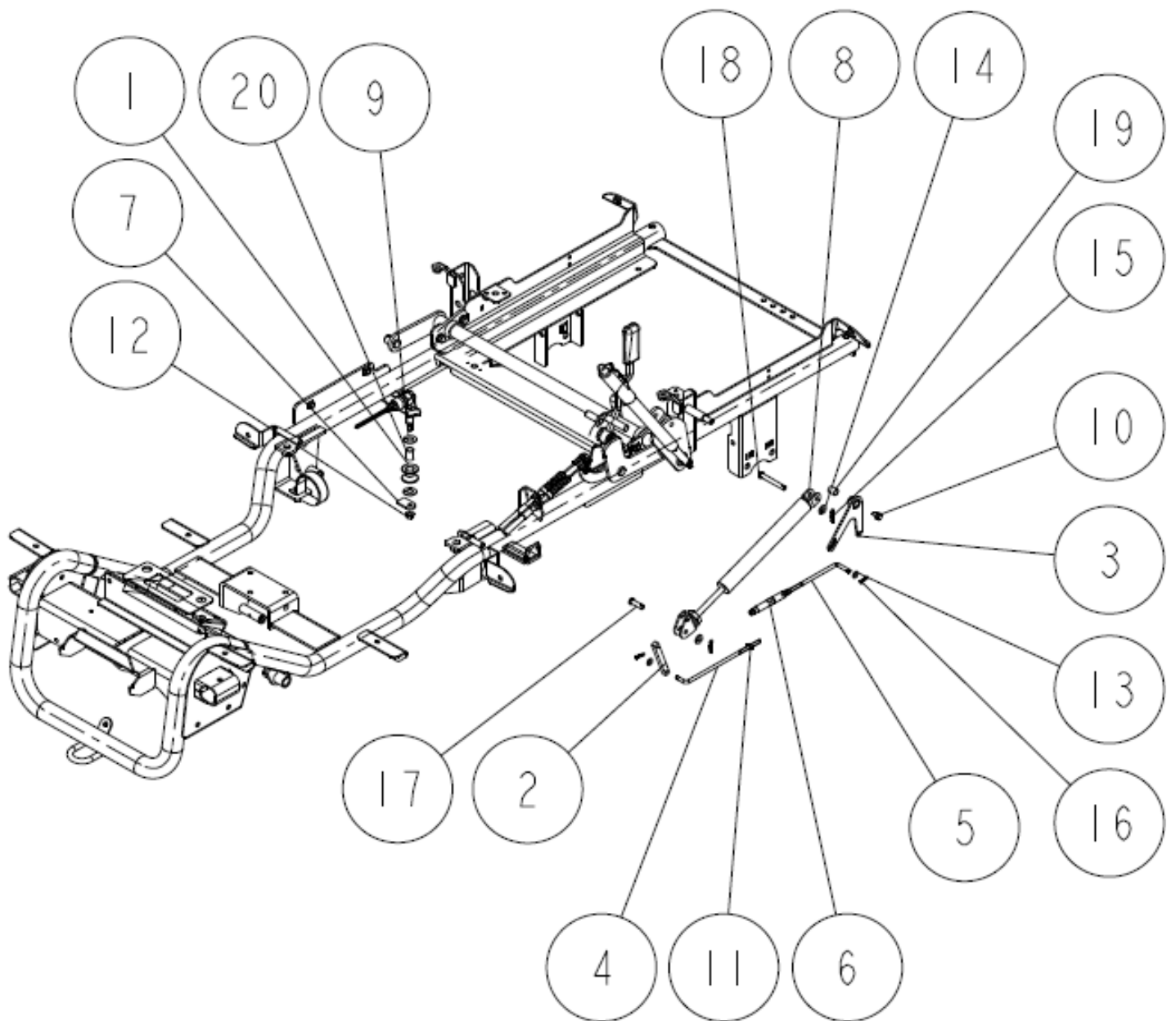
Ref.	Parts Number	Parts Name	Quantity	Remarks
1	0227-32200	Center Pin CMP	1	
2	0227-70300	Front Wheel Cap (φ42L*50)	2	
3	83-1415-975-00	Grease Nipple M6	1	
4	89-1236-080252	Mini Hexagonal Bolt (PWSW) M8*25	4	
5	89-1551-120002	Hexagonal U Nut M12	1	
6	89-1713-120002	Flat Washer 12 (large)	1	
7	89-1750-120002	Spring Washer 12	1	
8	-	Front Part		Page 31
9	-	Steering Part		Page 28



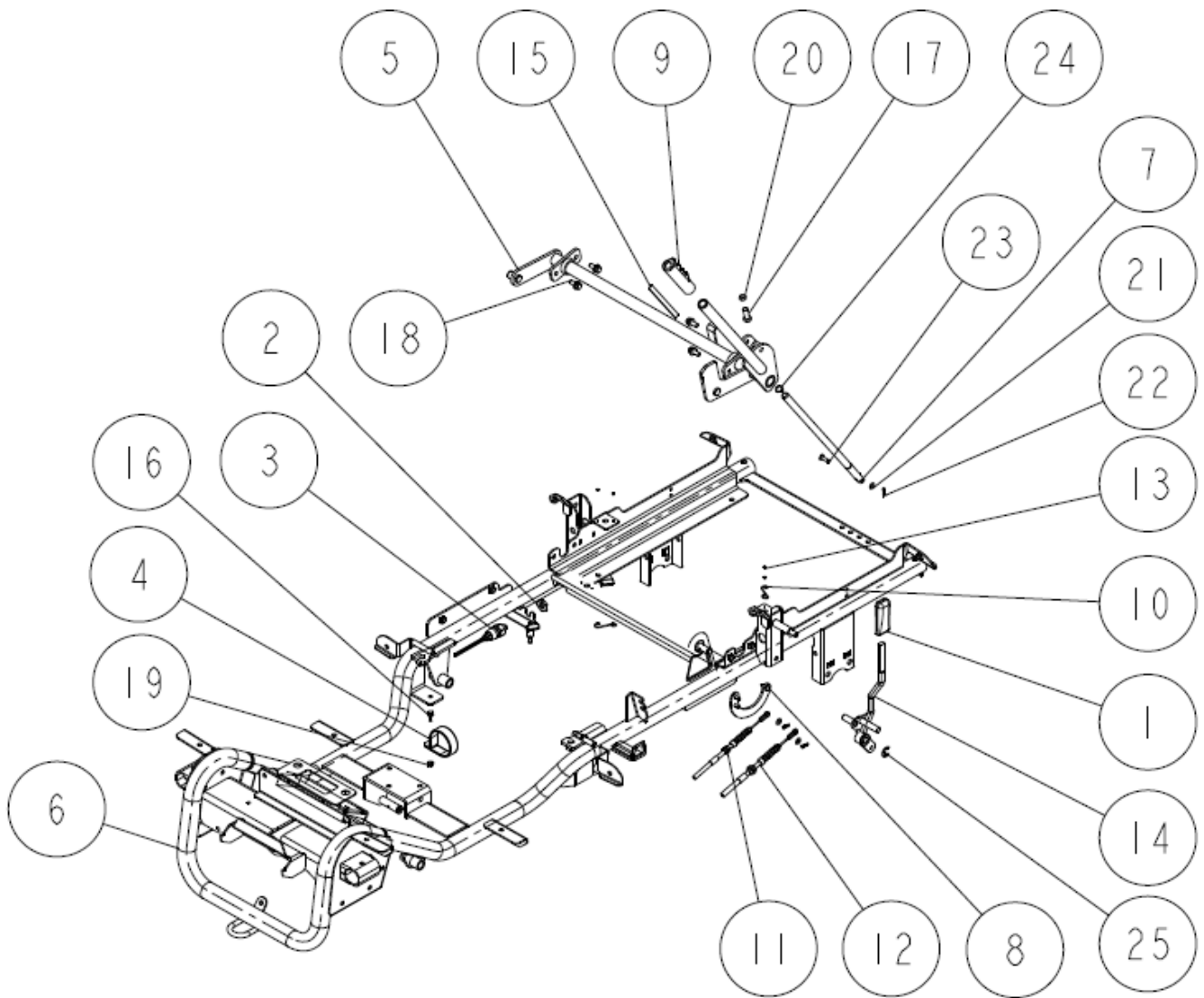
Ref.	Parts Number	Parts Name	Quantity	Remarks
1	80-1020-969-00	Change Return Spring	1	
2	80-1493-354-00	Rod Return Spring	1	
3	80-1781-943-00	Pedal Rubber	1	
4	0227-10200	Brake Pedal CMP	1	
5	0227-10300	Brake Lod CMP	1	
6	0227-11700	Brake Stopper CMP	1	
7	0224-81400	Center Belt Cover CMP	1	
8	83-1415-975-00	Grease Nipple M6	1	
9	89-1213-100352	Mini Hexagonal Bolt (8T) M10*35	1	
10	89-1233-080302	Mini Hexagonal Bolt (PWSW) M8*30	1	
11	89-1611-100042	Mini Hexagonal Nut M10	1	
12	89-1631-080042	Flange Mini Hexagonal Nut M8	1	
13	89-1711-120002	Flat Washer 12	1	
14	89-2131-120002	Snap Pin 12	1	
15	89-2511-000100	Snap Ring (S10)	1	
16	89-2511-000160	Snap Ring (S16)	1	
17	89-3510-016250	DU Bush 16.25	2	



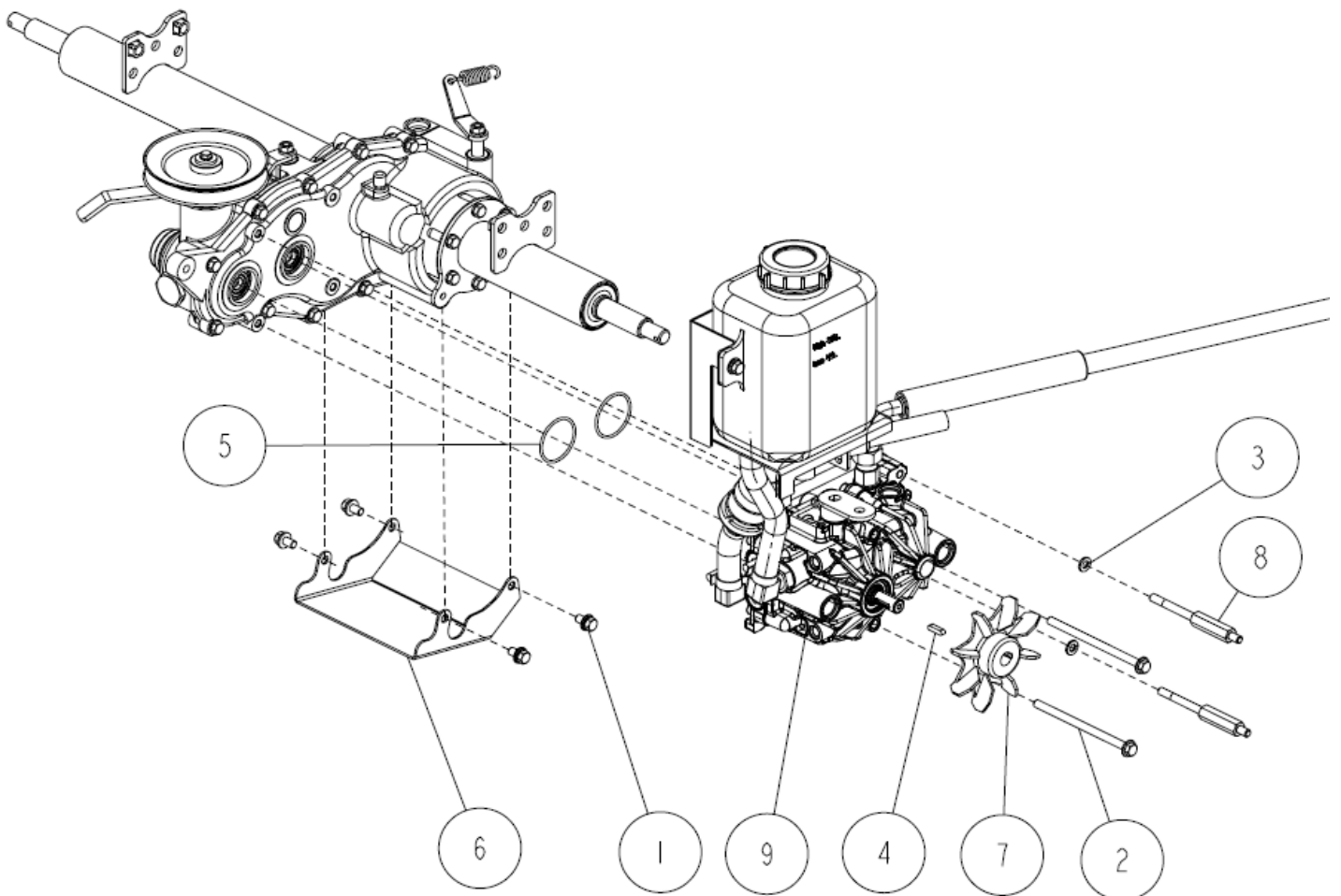
Ref.	Parts Number	Parts Name	Quantity	Remarks
1	0207-76200	Spring (Up/Down)	2	
2	0207-76800	Washer 16*32*2.3	2	
3	0227-11500	Connecting Plate (RM980F)	2	
4	0244-52200	Link Bolt	8	
5	0255-50100	Rear Link Arm R CMP	1	
6	0255-50200	Front Link Arm R CMP	1	
7	0255-50300	Front Link Arm B CMP	2	
8	0255-50400	Rear Link Arm L CMP	1	
9	0255-50600	Link Arm Adjuster	2	
10	0255-70200	Hexagonal Nut M16(L)	2	
11	0281-50200	Front Link Arm L CMP	1	
12	83-1415-975-00	Grease Nipple M6	7	
13	83-1515-975-00	Grease Nipple C-Type M6	1	
14	83-1751-311-00	Flat Washer 8*25*2.3	2	
15	89-1232-080162	Mini Hexagonal Bolt (SW) M8*16	2	
16	89-1511-160042	Hexagonal Nut M16	2	
17	89-1551-120002	Hexagonal U Nut M12	8	
18	89-1711-120002	Flat Washer 12	8	
19	89-1750-120002	Spring Washer 12	8	
20	89-2131-160002	Snap Pin 16	2	
21	-	Cutting Part		Page 41
-	0255-52200	Front Link Arm L Assy	1	Include: 7,9,10,11,16
-	0255-52100	Front Link Arm R Assy	1	Include: 6,7,9,10,16,



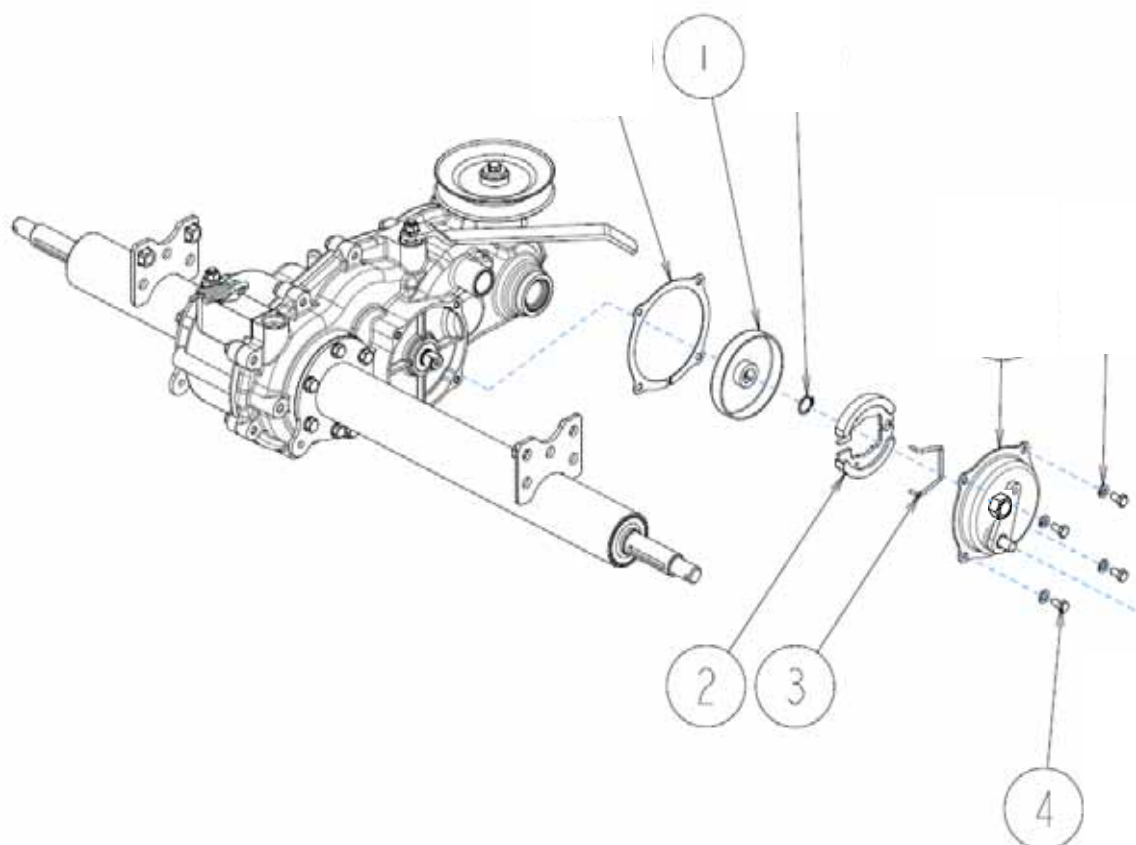
Ref.	Parts Number	Parts Name	Quantity	Remarks
1	80-1484-354-10	Brake Rod Roller	1	
2	0244-10500	Lock Pusher	1	
3	0244-11300	Push Rod Receiver CMP	1	
4	0244-11400	Adjuster Rod (R)	1	
5	0244-11500	Adjuster Rod (L)	1	
6	0244-11600	Turn Buckle (Pipe Type)	1	
7	0244-22600	Brake Rod Hung Plate	1	
8	0255-70100	Gas Spring Free Lock Type(FLC75-35)	1	
9	83-1020-355-00	Thrust Washer 12*24*1.0	2	
10	89-1132-060122	Hexagonal Bolt (SW) M6*12	1	
11	89-1511-060042	Hexagonal Nut M6	1	
12	89-1543-080002	Mini Hexagonal Nut (SW) M8	1	
13	89-1711-060002	Flat Washer 6	2	
14	89-1711-080002	Flat Washer 8	2	
15	89-2131-080002	Snap Pin 8	2	
16	89-2132-060002	Snap Pin 6 (with stopper)	2	
17	89-2181-080282	Flat Head Pin 8*28	1	
18	89-2181-080602	Flat Head Pin 8*60	1	
19	89-3510-010150	DU Bush 10.15	1	
20	89-3510-012200	DU Bush 12.20	1	



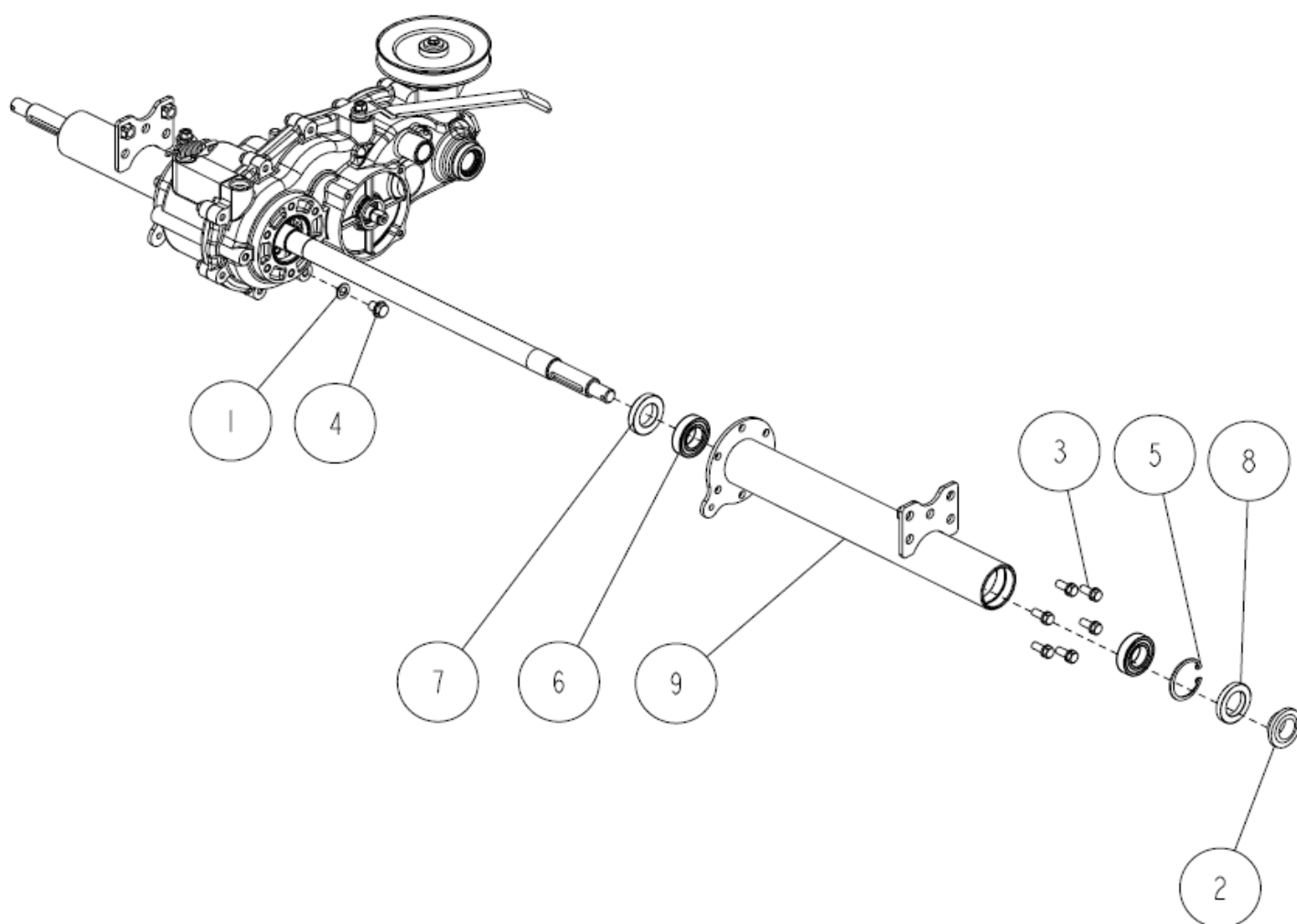
Ref.	Parts Number	Parts Name	Quantity	Remarks
1	0289-71300	Arm Grip (Red)	1	
2	0207-72800	Switch Lock Nut	1	
3	0207-74400	Safety Switch K17850	1	
4	0227-00900	Wire Band	1	
5	0227-11100	Up/Down Adjusting Shaft CMP	1	
6	0227-81100	Frame CMP (RM980F)	1	
7	0244-11200	Push Rod	1	
8	0244-13700	Wire Joint CMP	1	
9	0244-70200	Adjusting Shaft Grip	1	
10	0244-71500	Fastener Spring ST-9	4	
11	0244-72200	Knife Brake Wire	1	
12	0244-72300	Cutting Clutch Wire	1	
13	0244-75100	Blind Rivet	8	
14	0259-14310	Knife Clutch Lever	1	
15	0259-80700	Label, Cutting Height Line (13259)	1	
16	89-1138-060162	Hexagonal Bolt (SW) M6*16	1	
17	89-1211-100252	Mini Hexagonal Bolt M10*25	1	
18	89-1233-080202	Mini Hexagonal Bolt (PWSW) M8*20	4	
19	89-1531-060042	Flange Nut M6	1	
20	89-1611-080042	Mini Hexagonal Nut M8	1	
21	89-1711-060002	Flat Washer 6	3	
22	89-2132-060002	Snap Pin 6 (with stopper)	3	
23	89-2181-060202	Flat Head Pin 6*20	1	
24	89-2511-000130	Snap Ring (S13)	1	
25	89-2521-000120	E Type Ring 12	1	



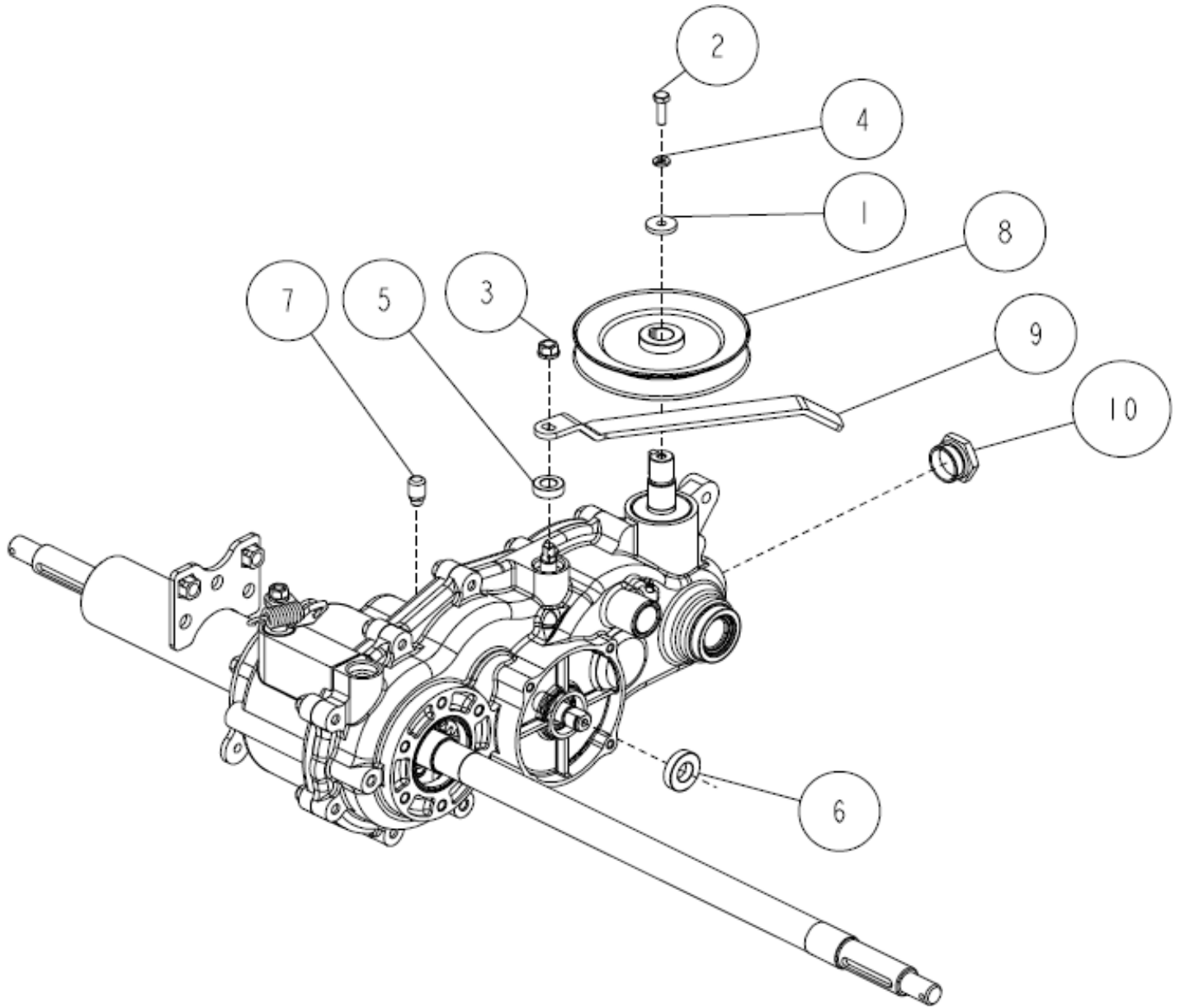
Ref.	Parts Number	Parts Name	Quantity	Remarks
1	89-1239-080162	Mini Hexagonal Bolt (PWSW) M8*16	4	
2	89-1251-081303	Flange Mini Hexagonal Bolt M8*130	2	
3	89-1750-080002	Spring Washer 8	2	
4	89-2150-050200	Key 5*20 (round)	1	
5	89-5222-045000	O Ring G45	2	
6	0207-03100	Mission Guard CMP	1	
7	0227-00300	Fan (RM980F)	1	
8	0227-02300	Double Spring Bolt 125	2	
9	0227-09000	HST Unit Assy (RM980F)	1	



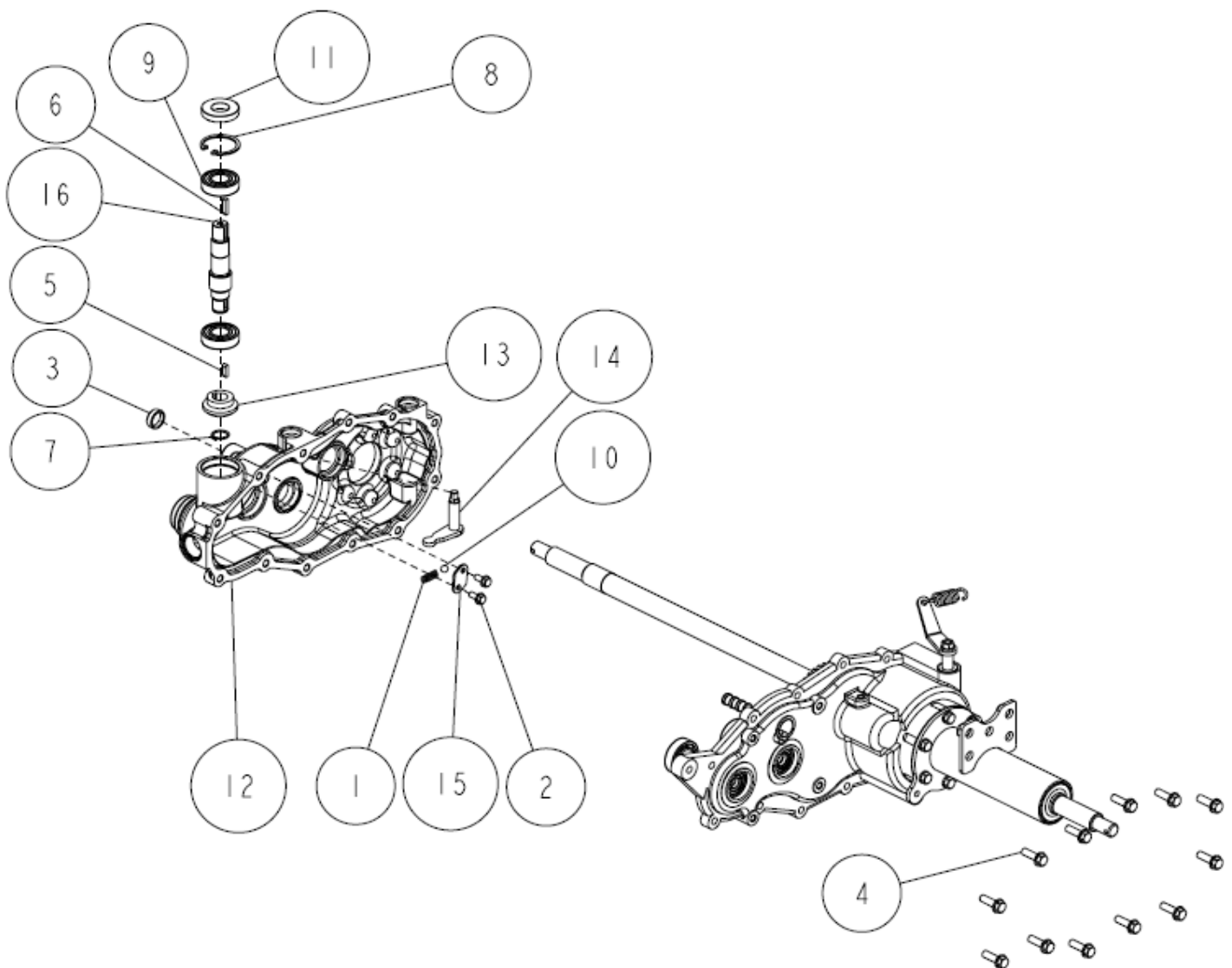
Ref.	Parts Number	Parts Name	Quantity	Remarks
1	80-1030-282-00	Brake Drum (PA-7)	1	
2	0244-88100	Brake Shoe Set (PA-7)	1 set	
3	80-1030-285-00	Spring for Brake Shoe Return	1	
4	89-1113-060122	Hexagonal Bolt (8T) M6*12	4	
5	89-1750-060002	Spring Washer 6	4	
6	89-2511-000150	Snap Ring (S15)	1	
7	0207-04100	Brake Cover PK (PA-7)	1	
8	0207-73200	Brake Cap Assy	1	Include: 2,3
1,2,3,7,8	0207-73000	Brake Assy	1	



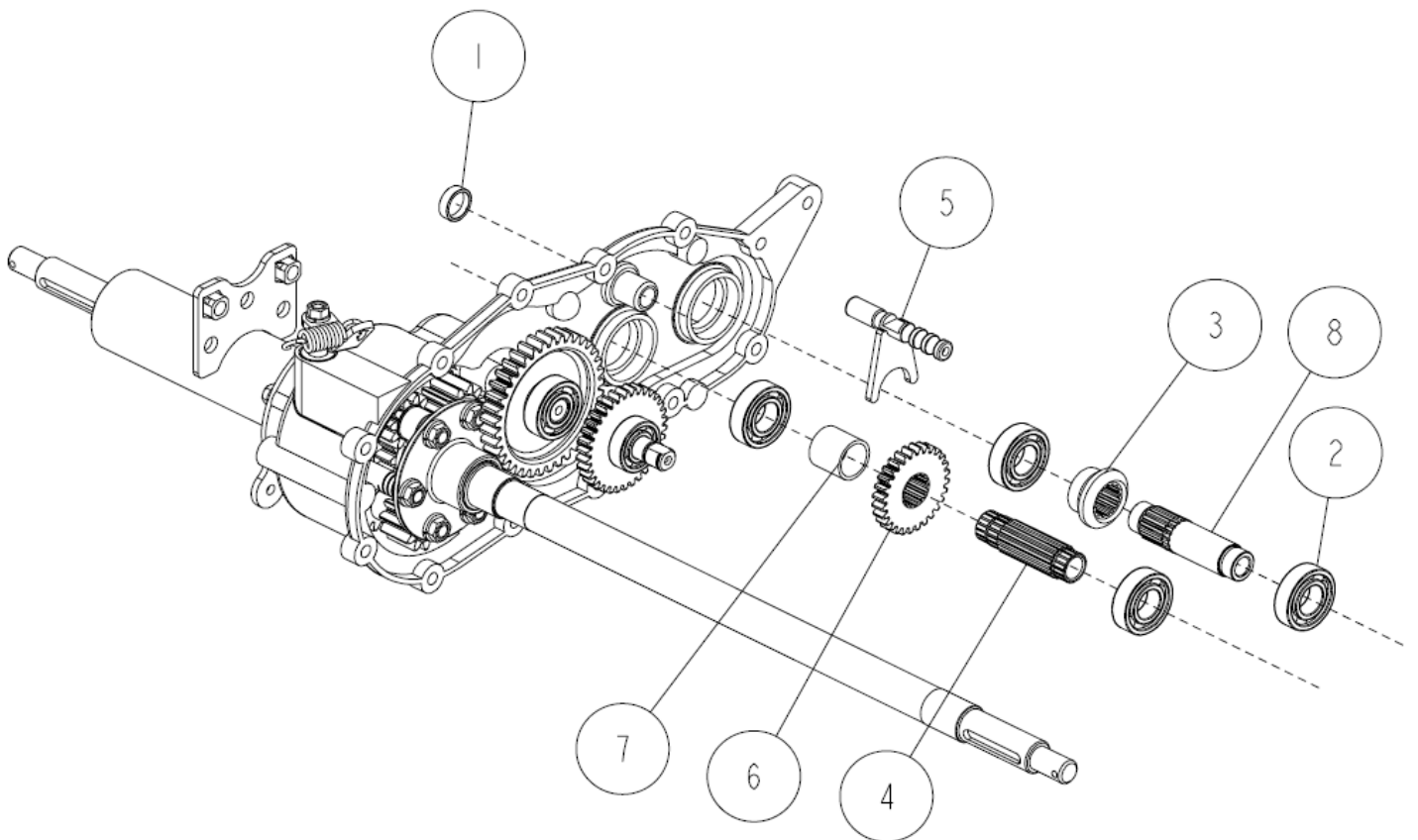
Ref.	Parts Number	Parts Name	Quantity	Remarks
1	83-1020-349-00	Copper Packing 10.5*18*1.6	1	
2	83-1415-663-00	Oil Seal AP 30.47.7	1	
3	89-1232-080202	Mini Hexagonal Bolt (SW) M8*20	6	
4	89-1252-100122	Flange Mini Hexagonal Bolt M10*12 (slender)	1	
5	89-2512-000470	Snap Ring (R47)	1	
6	89-3115-060054	Bearing 6005 2RS	2	
7	89-5121-284708	Oil Seal UE 28.47.8	1	
8	89-5121-304707	Oil Seal UE 30.47.7	1	
9	0244-01100	Axle Case (L) CMP	1	



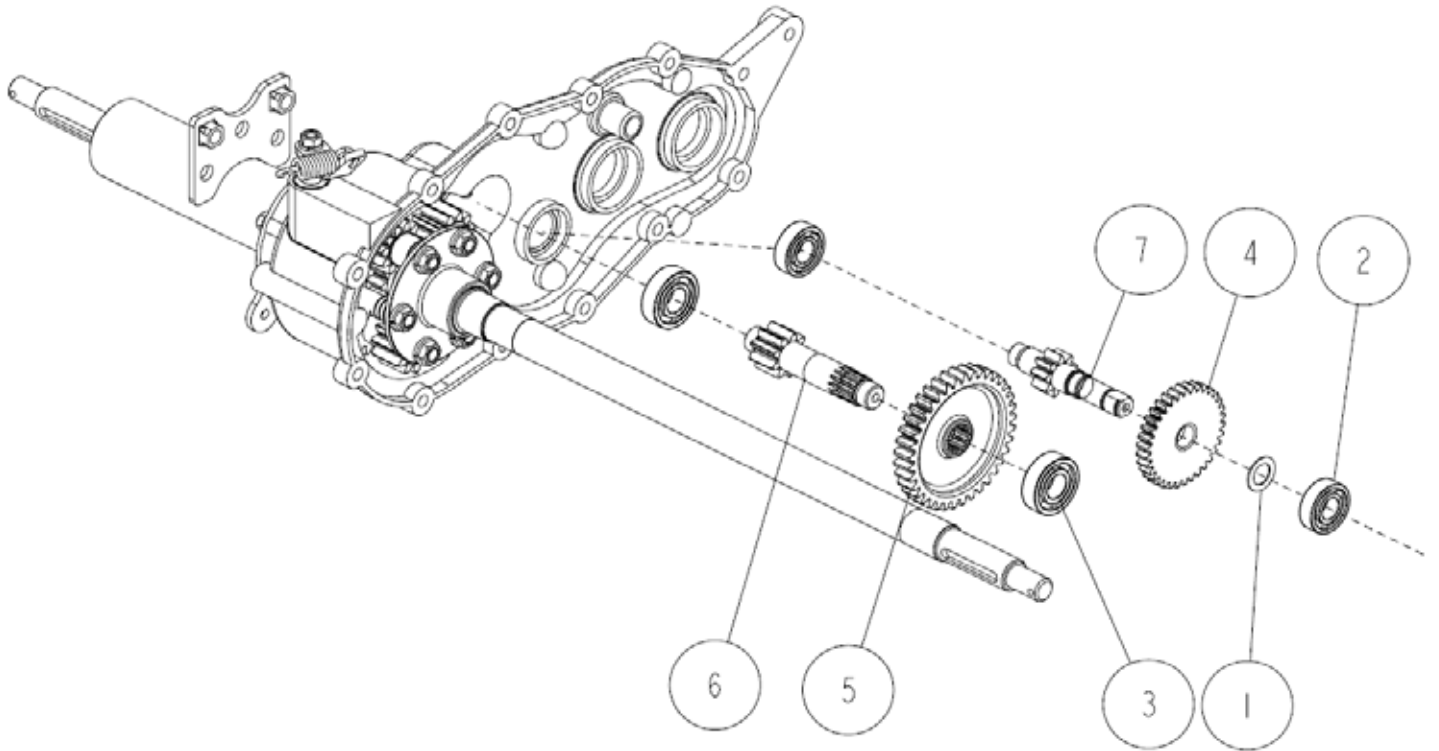
Ref.	Parts Number	Parts Name	Quantity	Remarks
1	83-1482-311-00	Washer 6.5*22*3.2	1	
2	89-1113-060202	Hexagonal Bolt (8T) M6*20	1	
3	89-1543-080002	Mini Hexagonal Nut (SW) M8	1	
4	89-1750-060002	Spring Washer 6	1	
5	89-5121-122207	Oil Seal UE 12.22.7	1	
6	89-5121-153007	Oil Seal UE 15.30.7	1	
7	0207-06100	Air Bleeder	1	
8	0207-40200	Transmission Pulley	1	
9	0215-00100	Driving Clutch Arm	1	
10	0289-01000	Oil Plug Assy (with O Ring)	1	



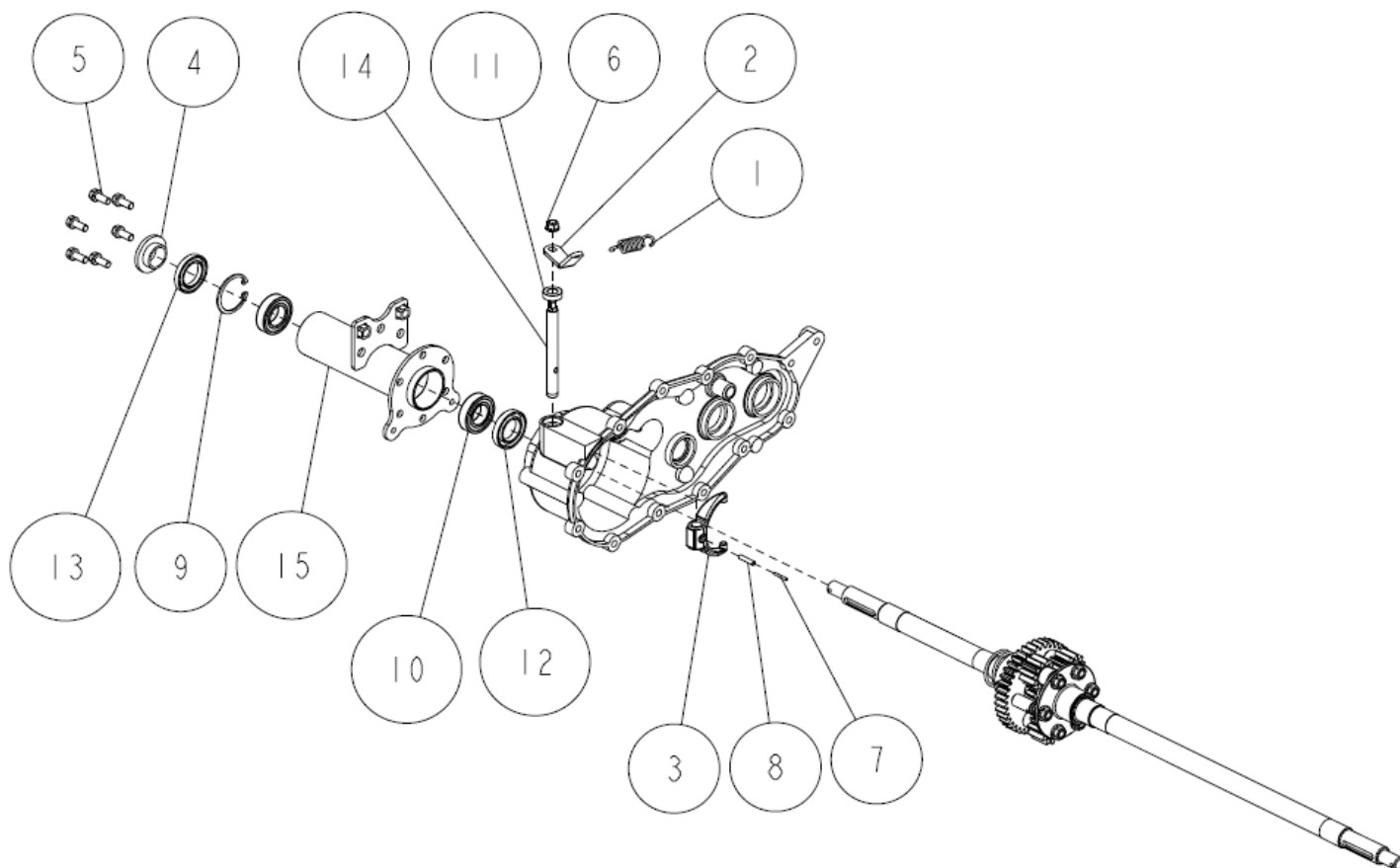
Ref.	Parts Number	Parts Name	Quantity	Remarks
1	80-1310-138-00	Spring 1.4	1	
2	83-1020-148-00	Tapping Bolt M6*14	2	
3	83-1415-671-00	Blind Cover 22	1	
4	83-1482-143-00	Tapping Bolt M8*25	12	
5	89-2150-050160	Key 5*16 (round)	1	
6	89-2151-050200	Key 5*20 (half round)	1	
7	89-2511-000170	Snap Ring (S17)	1	
8	89-2512-000420	Snap Ring (R42)	1	
9	89-3115-060044	Bearing 6004 2RS	2	
10	89-3410-080000	Steel Ball 8.0	1	
11	89-5121-204208	Oil Seal UE 20.42.8	1	
12	0207-00100	Transmission Case (L)	1	
13	0207-00400	20T Spiral Mita Gear (L)	1	
14	0207-01700	Swing Arm CMP	1	
15	0207-01900	Shift Spring Holder	1	
16	0281-00300	A Axle	1	



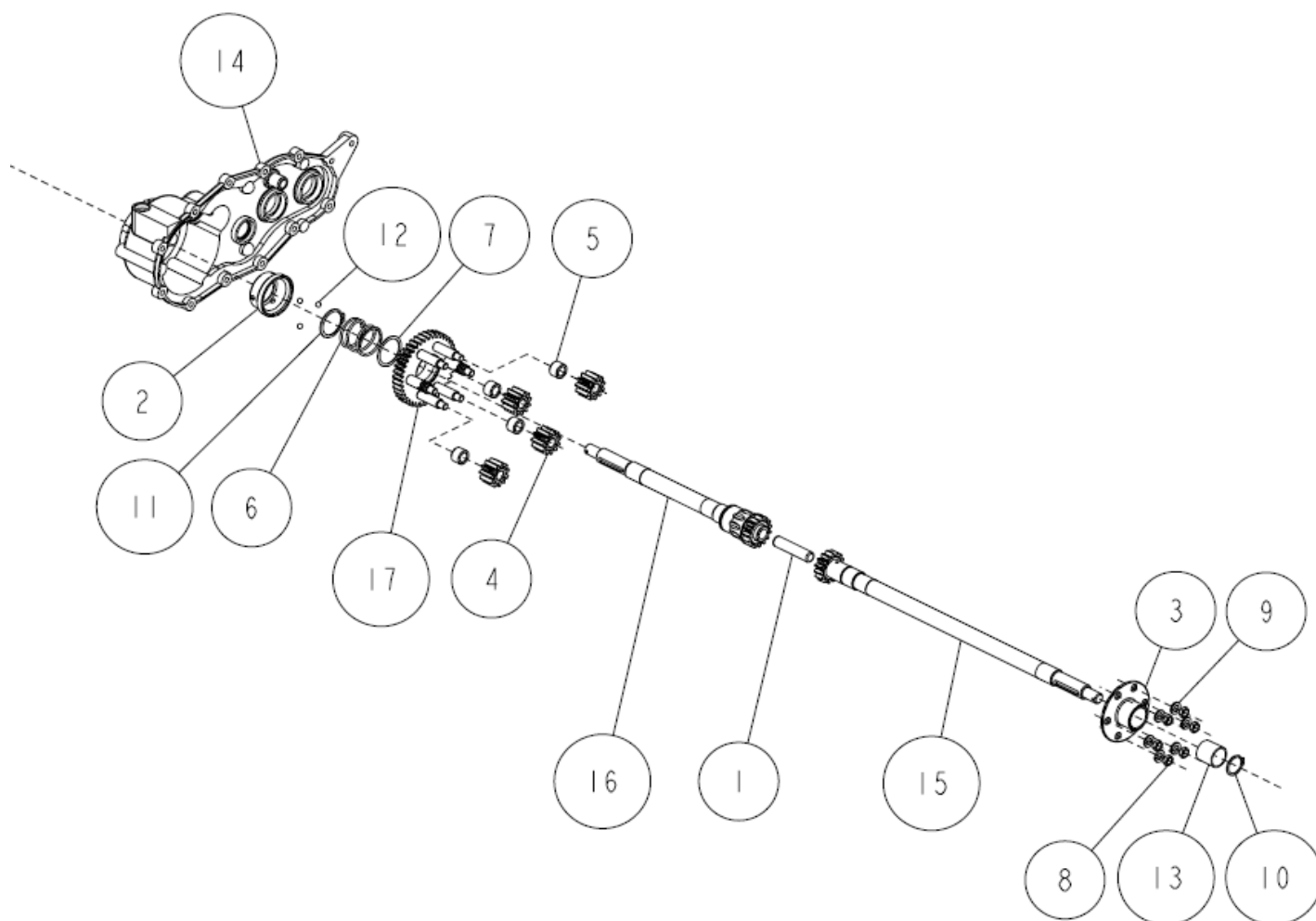
Ref.	Parts Number	Parts Name	Quantity	Remarks
1	83-1415-671-00	Blind Cover 22	1	
2	89-3111-060044	Bearing 6004	4	
3	0207-00500	20T Spiral Mita Gear (R)	1	
4	0207-00700	C Axle	1	
5	0207-01600	Shift Fork Shaft CMP	1	
6	0215-00400	Shift Gear 28	1	
7	0215-00500	C Axle Collar 26	1	
8	0227-00100	B Axle	1	



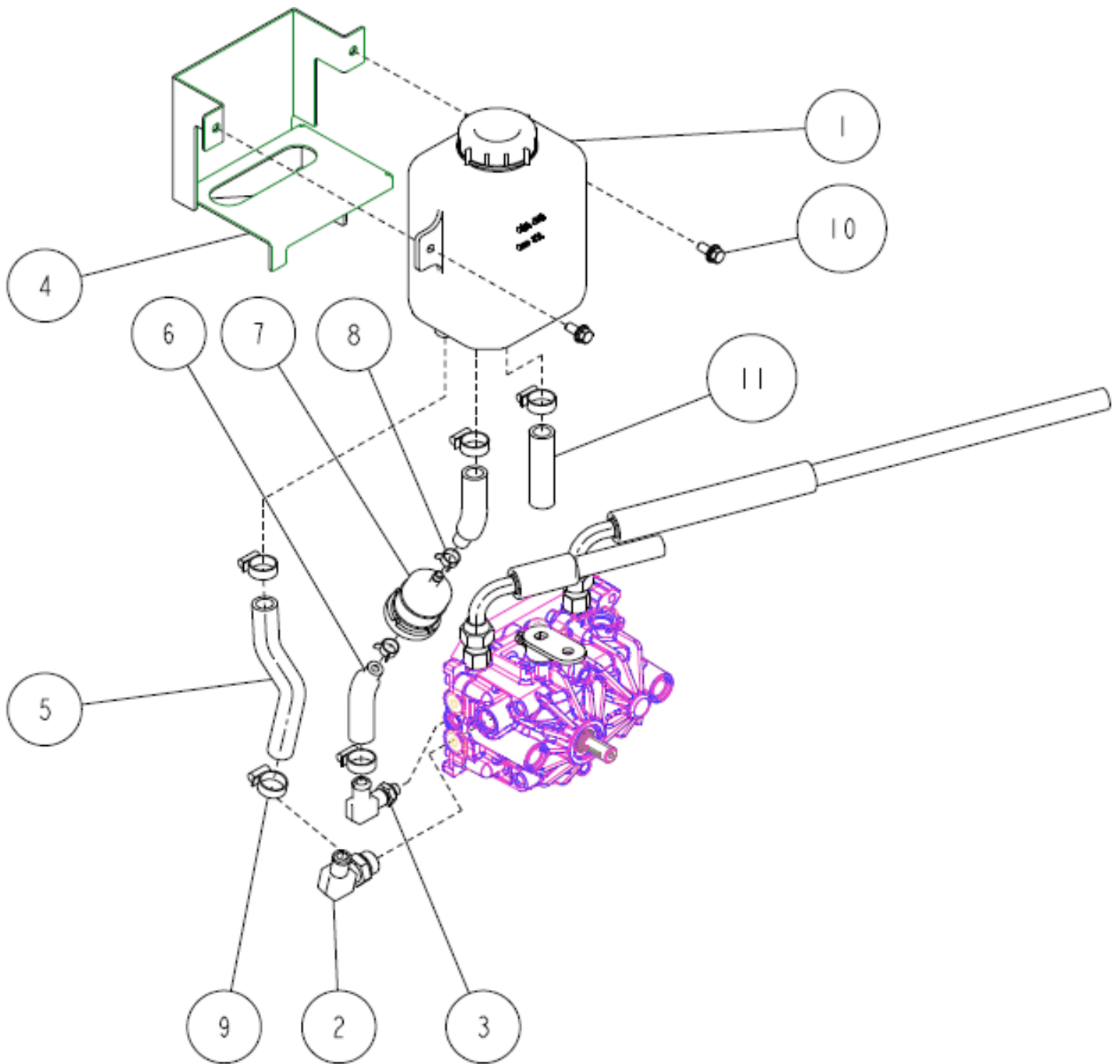
Ref.	Parts Number	Parts Name	Quantity	Remarks
1	83-1020-361-00	Thrust Washer 15*24*1.0	1	
2	89-3111-062024	Bearing 6202	2	
3	89-3111-062034	Bearing 6203	2	
4	0207-01310	Brake Shaft 34T Gear	1	
5	0207-01400	D Axle 37T Gear	1	
6	0207-02700	D Axle	1	
7	0215-00300	Brake Shaft	1	



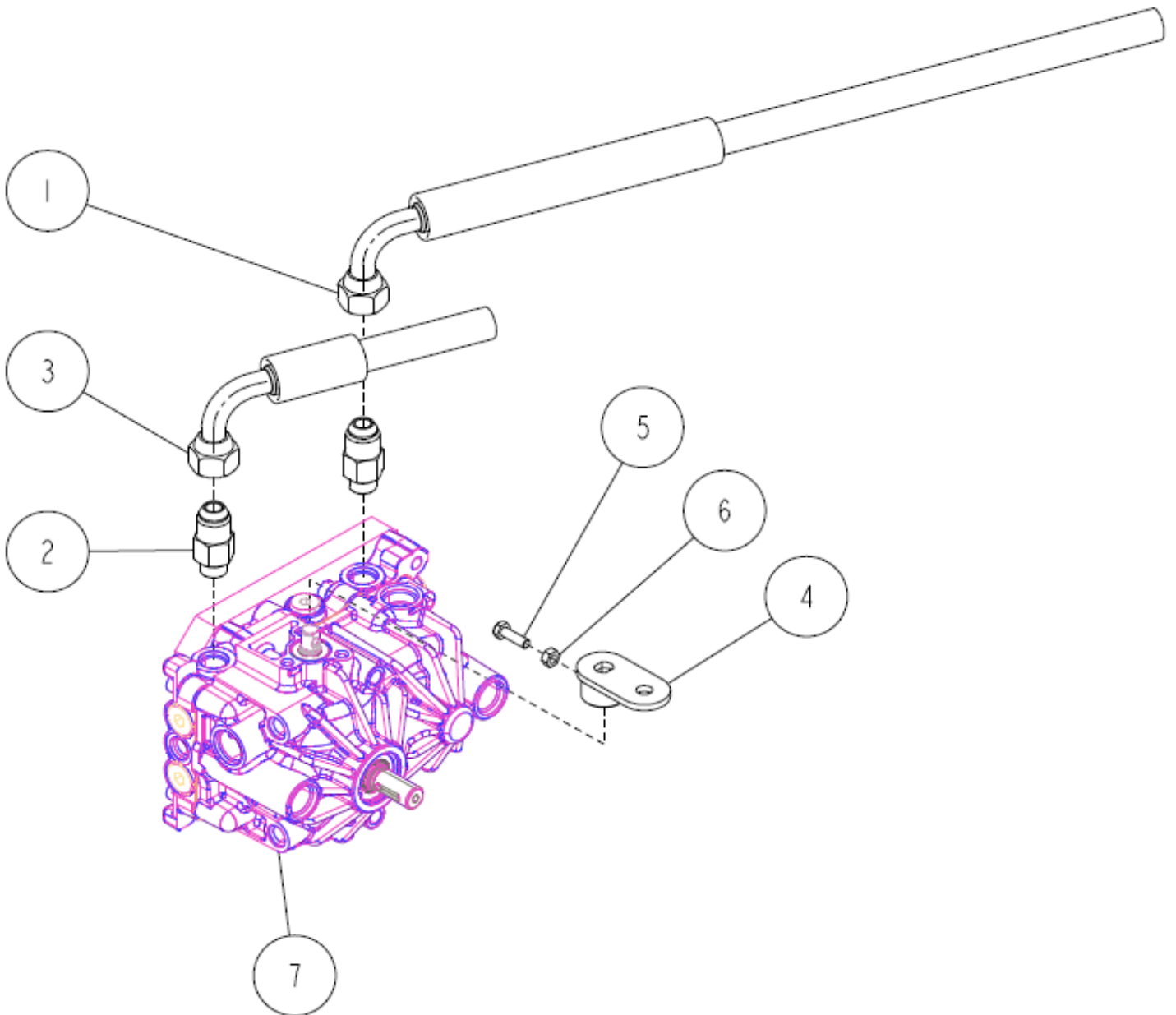
Ref.	Parts Number	Parts Name	Quantity	Remarks
1	80-1425-551-00	Differential Lock Spring	1	
2	80-1488-153-00	Differential Lock Arm	1	
3	80-1830-113-00	Differential Lock Fork	1	
4	83-1415-663-00	Oil Seal AP 30.47.7	1	
5	89-1232-080202	Mini Hexagonal Bolt (SW) M8*20	6	
6	89-1543-080002	Mini Hexagonal Nut (SW) M8	1	
7	89-2111-030020	Spring Pin 3*20	1	
8	89-2111-050022	Spring Pin 5*22	1	
9	89-2512-000470	Snap Ring (R47)	1	
10	89-3115-060054	Bearing 6005 2RS	2	
11	89-5121-122207	Oil Seal UE 12.22.7	1	
12	89-5121-284708	Oil Seal UE 28.47.8	1	
13	89-5121-304707	Oil Seal UE 30.47.7	1	
14	0207-01800	Differential Lock Fork Shaft	1	
15	0244-01200	Axle Case (R) CMP	1	



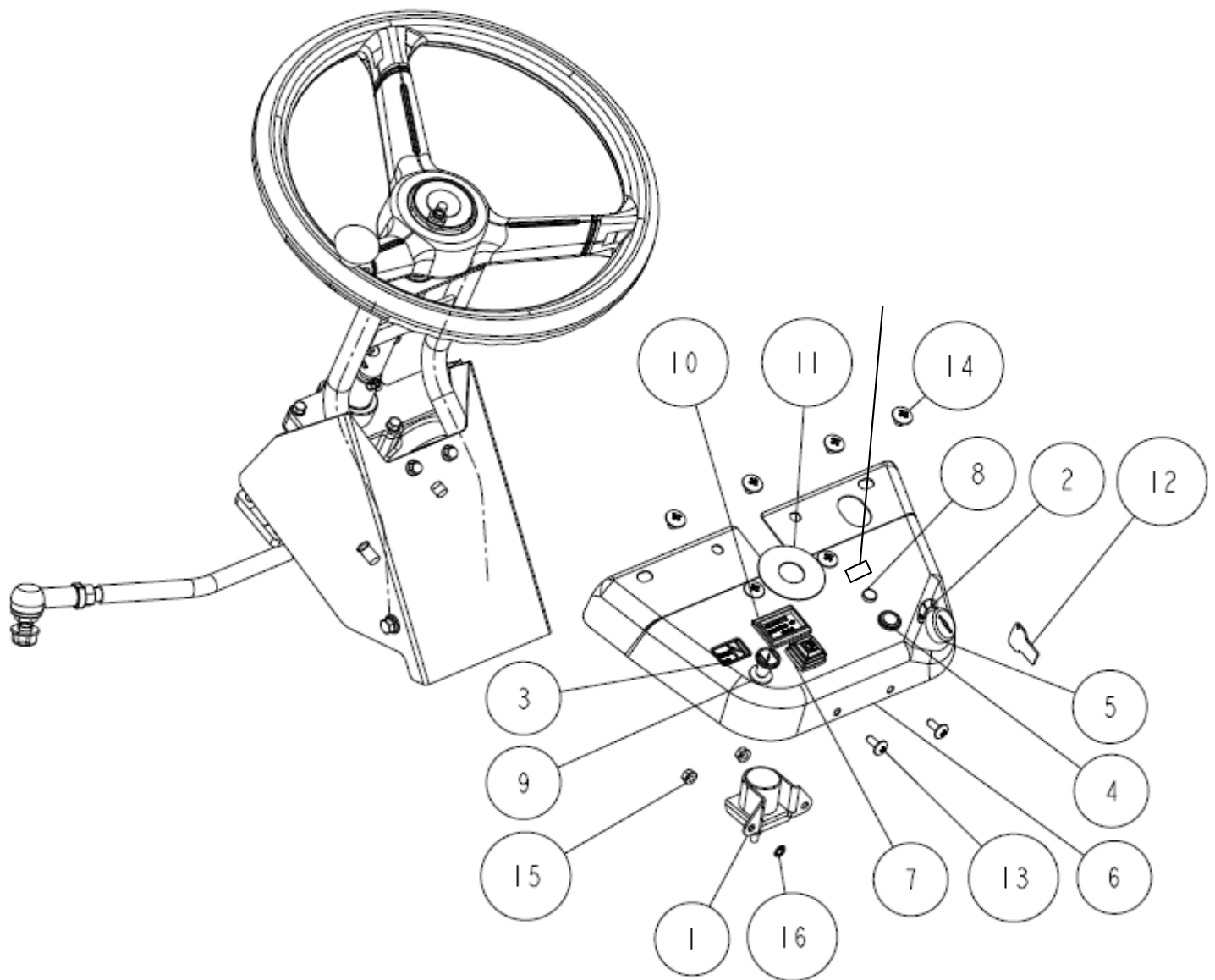
Ref.	Parts Number	Parts Name	Quantity	Remarks
1	80-1415-150-00	Axle Pin	1	
2	80-1425-143-00	Differential Lock Cone	1	
3	80-1481-151-00	Differential Lock Plate	1	
4	80-1481-152-00	Differential Lock Gear 11T	4	
5	80-1481-155-00	Differential Gear Shaft Collar	4	
6	80-1751-162-00	Differential Lock Spring	1	
7	83-1830-382-00	Thrust Washer 40*48*1.0	1	
8	89-1613-100042	Mini Hexagonal Nut (3 sorts) M10	6	
9	89-1750-100002	Spring Washer 10	6	
10	89-2511-000280	Snap Ring (S28)	1	
11	89-2511-000400	Snap Ring (S40)	1	
12	89-3410-075000	Steel Ball 7.5	3	
13	89-3510-028300	DU Bush 28.30	1	
14	0207-00200	Transmission Case (R)	1	
15	0207-02120	Axle (L) CMP	1	
16	0207-02220	Axle (R) CMP	1	
17	0207-02800	Axle Gear CMP	1	



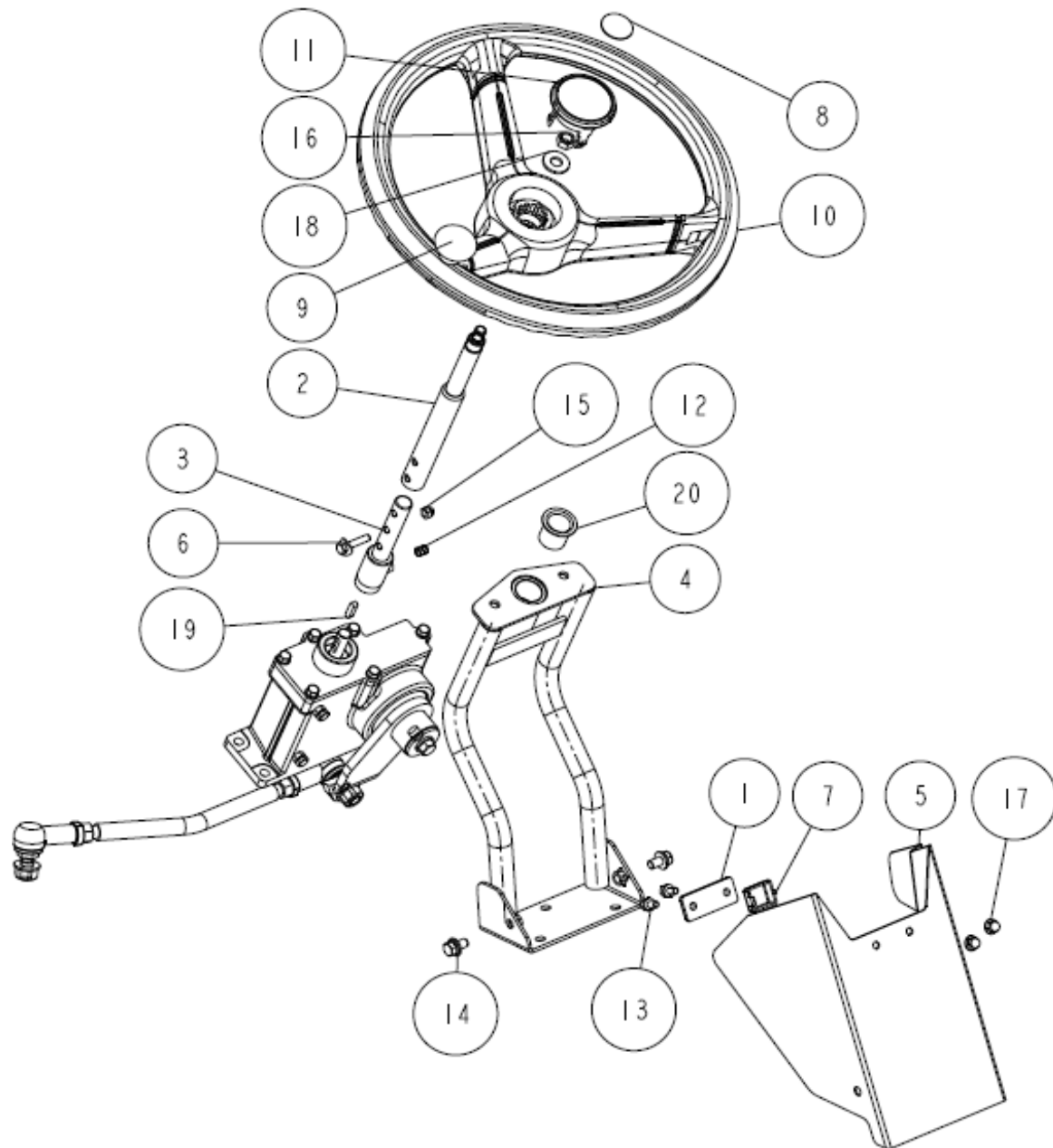
Ref.	Parts Number	Parts Name	Quantity	Remarks
1	0227-00200	HST Oil Tank (RM980F)	1	
2	0227-01400	Port Joint 7/8-14UNF	1	
3	0227-01500	Port Joint G1/4	1	
4	0227-02400	HST Oil Tank Setting (RM980F)	1	
5	0227-02600	HST Hose	1	
6	0227-02700	HST Hose (Oil Filter)	2	
7	0227-02800	Oil Filter	1	
8	0227-03100	Hose Clip 17	2	
9	0228-70200	Hose Band 24	5	
10	89-1233-080202	Mini Hexagonal Bolt (PWSW) M8*20	2	
11	0227-00600	HST Hose	1	



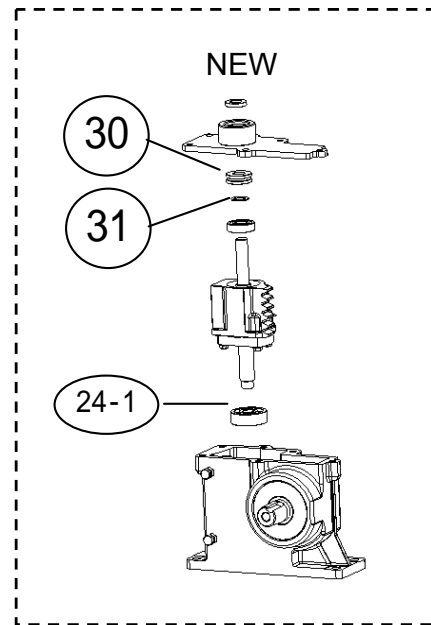
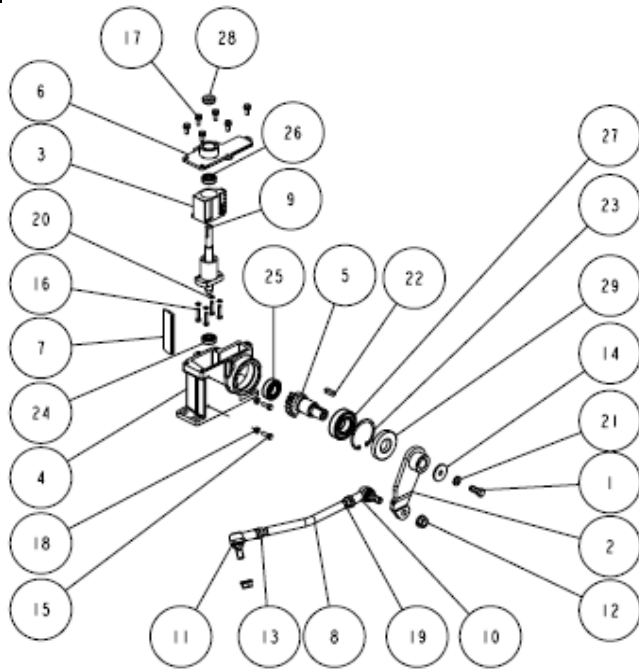
Ref.	Parts Number	Parts Name	Quantity	Remarks
1	0227-00400	Oil Pressure Hose 1590L	1	
2	0227-00700	Oil Pressure Hose Joint	2	
3	0227-01300	Oil Pressure Hose 1670L	1	
4	0227-02100	Control Arm CMP	1	
5	89-1113-060202	Hexagonal Bolt (8T) M6*20	1	
6	89-1511-060042	Hexagonal Nut M6	1	
7	0227-09000	HST Unit Assy (RM980F)	1	



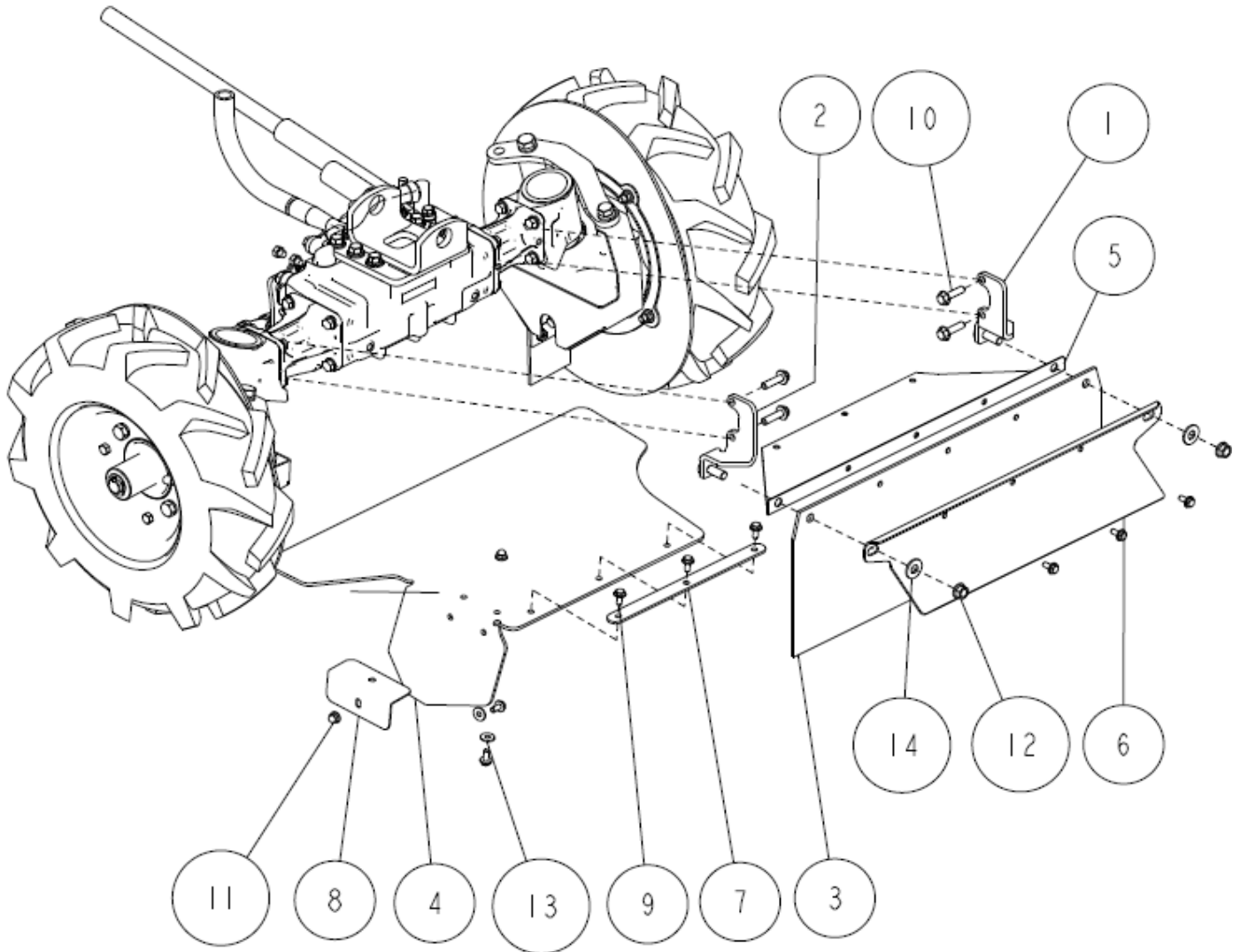
Ref.	Parts Number	Parts Name	Quantity	Remarks
1	80-1483-978-00	Magnetic Switch (MS2-401)	1	
2	80-1488-912-00	Label, Key (13121)	1	
3	80-1488-924-00	Label, Choke (13118)	1	
4	0207-79300	Pilot Lamp	1	
5	0207-79700	Key Switch (NMA03-A020)	1	
6	0244-15100	Control Panel (B&S)	1	
7	0244-70300	Lighting Switch	1	
8	0244-70400	Lamp, Caution for Engine Oil	1	
9	0244-72600	Choke Wire B	1	
10	0244-73600	Hour Meter	1	
11	0244-75400	Blind Washer	1	
12	0244-75600	Key Plate	1	
13	89-1159-060168	Truss Mini Screw M6*16	2	
14	89-1159-080108	Truss Mini Screw M8*10	6	
15	89-1541-060002	Hexagonal Nut (SW) M6	2	
16	89-1812-060002	Toothed washer (inside) 6	1	
17	0259-80600	Label, Caution for Engine Oil (13258)	1	



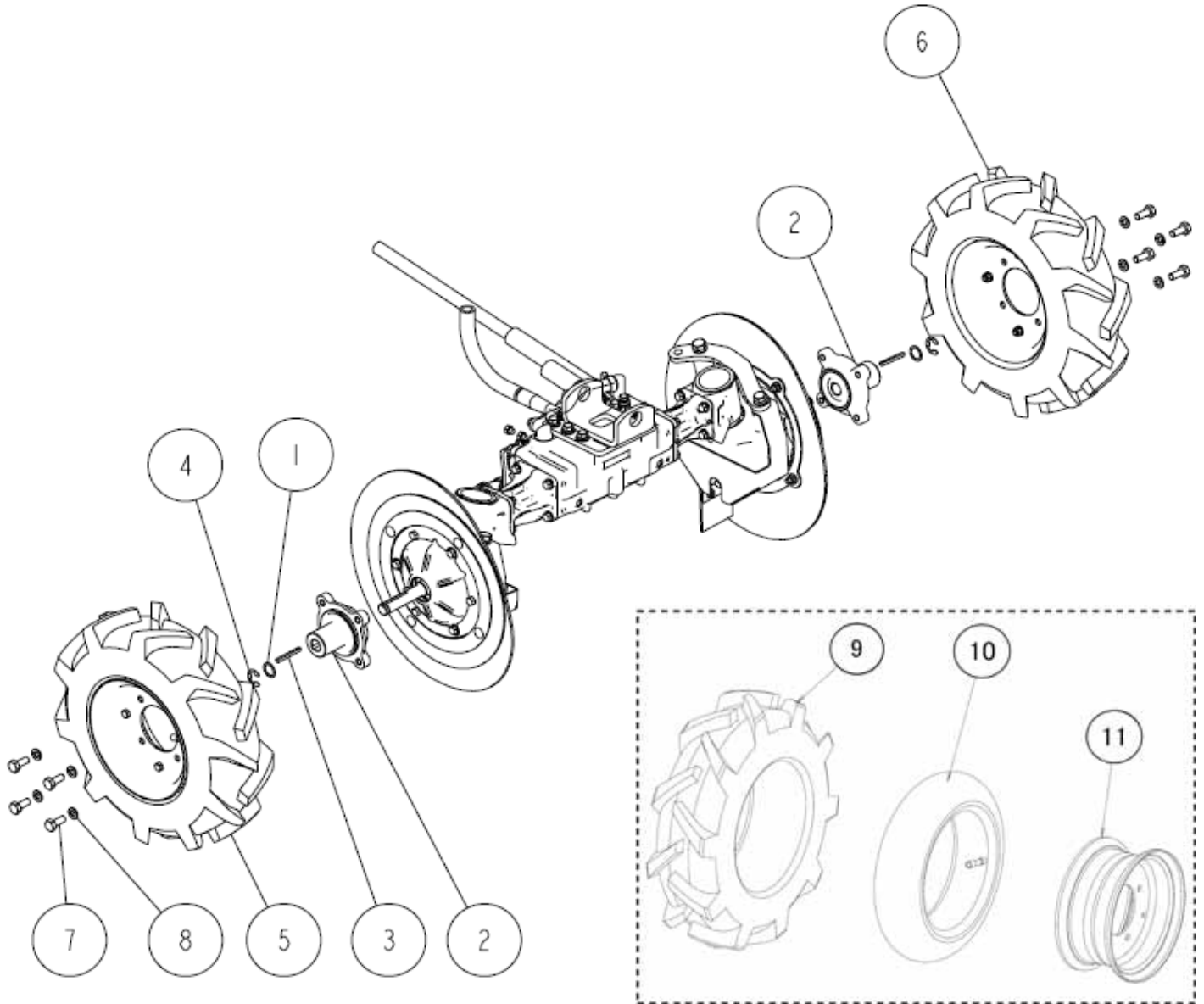
Ref.	Parts Number	Parts Name	Quantity	Remarks
1	0207-79200	Fuse Box Bracket	1	
2	0227-10400	Steering Upper Shaft CMP	1	
3	0227-10500	Steering Lower Shaft CMP	1	
4	0227-21100	Steering Support CMP	1	
5	0227-82200	Gear Box Cover	1	
6	0244-75800	Bolt for Upper Shaft Setting	1	
7	0244-77900	Fuse Box Cover	1	
8	0244-80700	Label, Handle (Blue)	1	
9	0262-70300	Sub Handle Assy	1	
10	0262-70400	Steering Wheel	1	
11	0262-70500	Steering Cap	1	
12	83-1493-149-00	Hexagonal Screw M8*10	1	
13	89-1132-060122	Hexagonal Bolt (SW) M6*12	2	
14	89-1233-080162	Mini Hexagonal Bolt (PWSW) M8*16	2	
15	89-1553-060002	Bag Hexagonal U Nut M6	1	
16	89-1561-100002	Mini Hexagonal U Nut M10	1	
17	89-1581-060042	Flange Cap Nut M6	2	
18	89-1713-100002	Flat Washer 10 (large)	1	
19	89-2150-050200	Key 5*20 (round)	1	
20	89-3511-022250	DU Bush 22.25.33F	1	



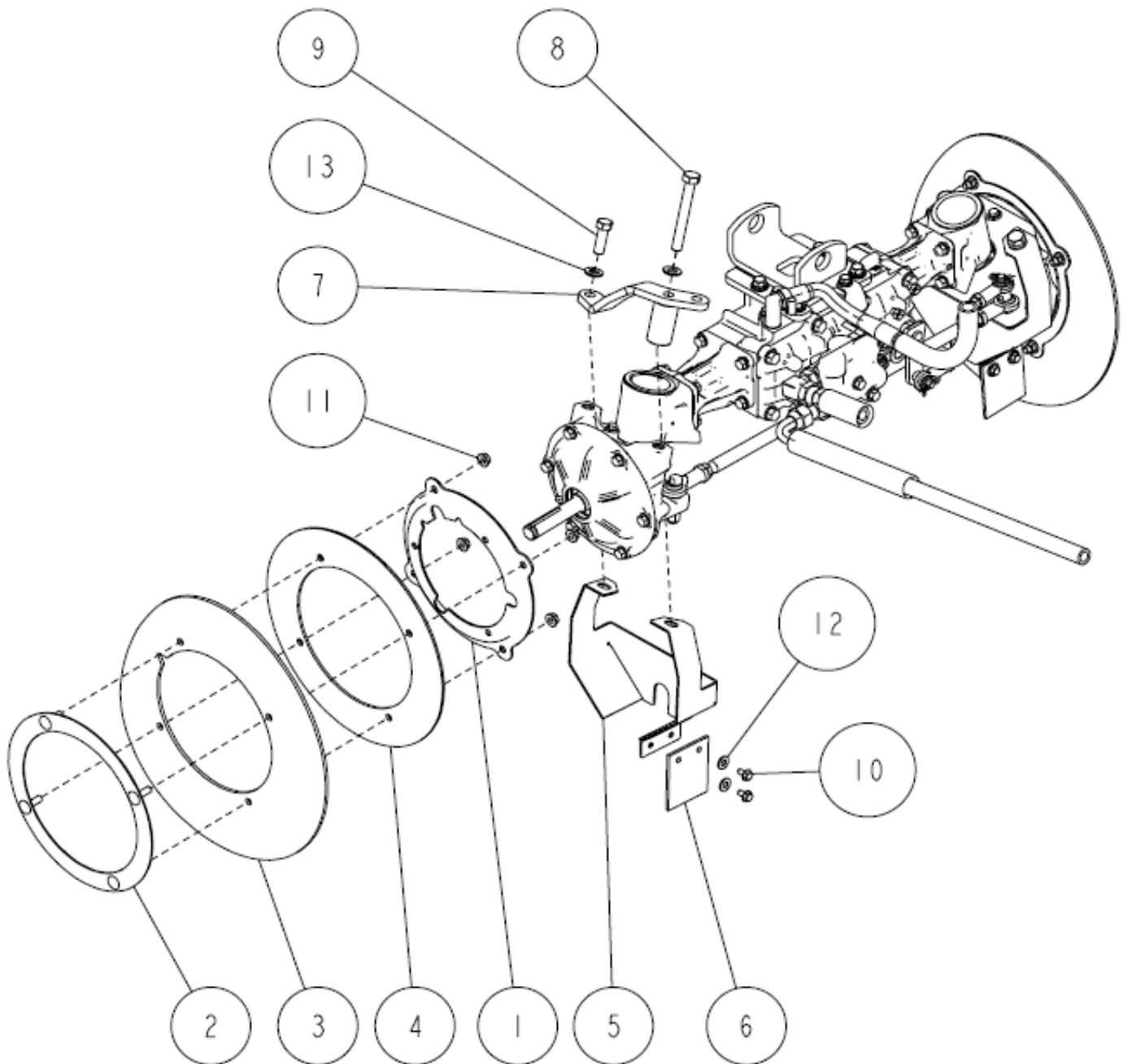
Ref.	Parts Number	Parts Name	Quantity	Remarks
1	0212-72100	Hexagonal Bolt(8T) M10*25(Meck)	1	Remark 1
2	0227-10610	Steering Arm CMP	1	Remark 1
3	0227-31400	Steering Rack	1	
4	0227-31500	Steering Gear Box A (OLD)	1	*2)
	0227-31510	Steering Gear Box A (NEW)	1	*3)
5	0227-31610	Steering Gear CMP	1	
6	0227-31700	Steering Box Cover CMP (OLD)	1	*2)
	0227-31710	Steering Box Cover CMP (NEW)	1	*3)
7	0227-31800	Adjust Plate	1	
8	0227-32100	Tie Rod Adjuster	1	Remark 1
9	0227-32500	Ball Screw	1	
10	0244-71700	Link Ball 12 (R)	1	Remark 1
11	0244-71800	Link Ball 12 (L)	1	Remark 1
12	0244-71900	Tough Lock Nut M12=P1.25	2	Remark 1
13	0244-73800	Hexagonal Nut (slender) M12 Left	1	Remark 1
14	83-1610-324-00	Washer 10*36*3.2	1	Remark 1
15	89-1111-060202	Hexagonal Bolt M6*20	2	
16	89-1113-050252	Hexagonal Bolt (8T) M5*25	4	
17	89-1138-060162	Hexagonal Bolt (SW) M6*16	6	
18	89-1511-060042	Hexagonal Nut M6	2	
19	89-1612-120042	Mini Hexagonal Nut (Slender) M12	1	Remark 1
20	89-1750-050002	Spring Washer 5	4	Remark 1
21	89-1750-100002	Spring Washer 10	1	
22	89-2151-070240	Key 7*24 (half round)	1	
23	89-2512-000620	Snap Ring (R62)	1	
24	89-3111-060014	Bearing 6001	1	*2)
24-1	89-3111-063014	Bearing 6301	1	*3)
25	89-3111-060044	Bearing 6004	1	
26	89-3115-060014	Bearing 6001 2RS	1	
27	89-3115-062064	Bearing 6206 2RS	1	
28	89-5121-122507	Oil Seal UE 12.25.7	1	*2)
28-1	89-5130-122204	Oil Seal KE 12.22.4	1	*3)
29	89-5121-306210	Oil Seal UE 30.62.10	1	
30	89-3370-051101	Thrust Bearing 51101	1	*3)
31	0208-71100	Thrust Washer 12*18*1.0	1	*3)
	0227-35000	Steering Gear Box Assy	1	Excluding items in Remark 1



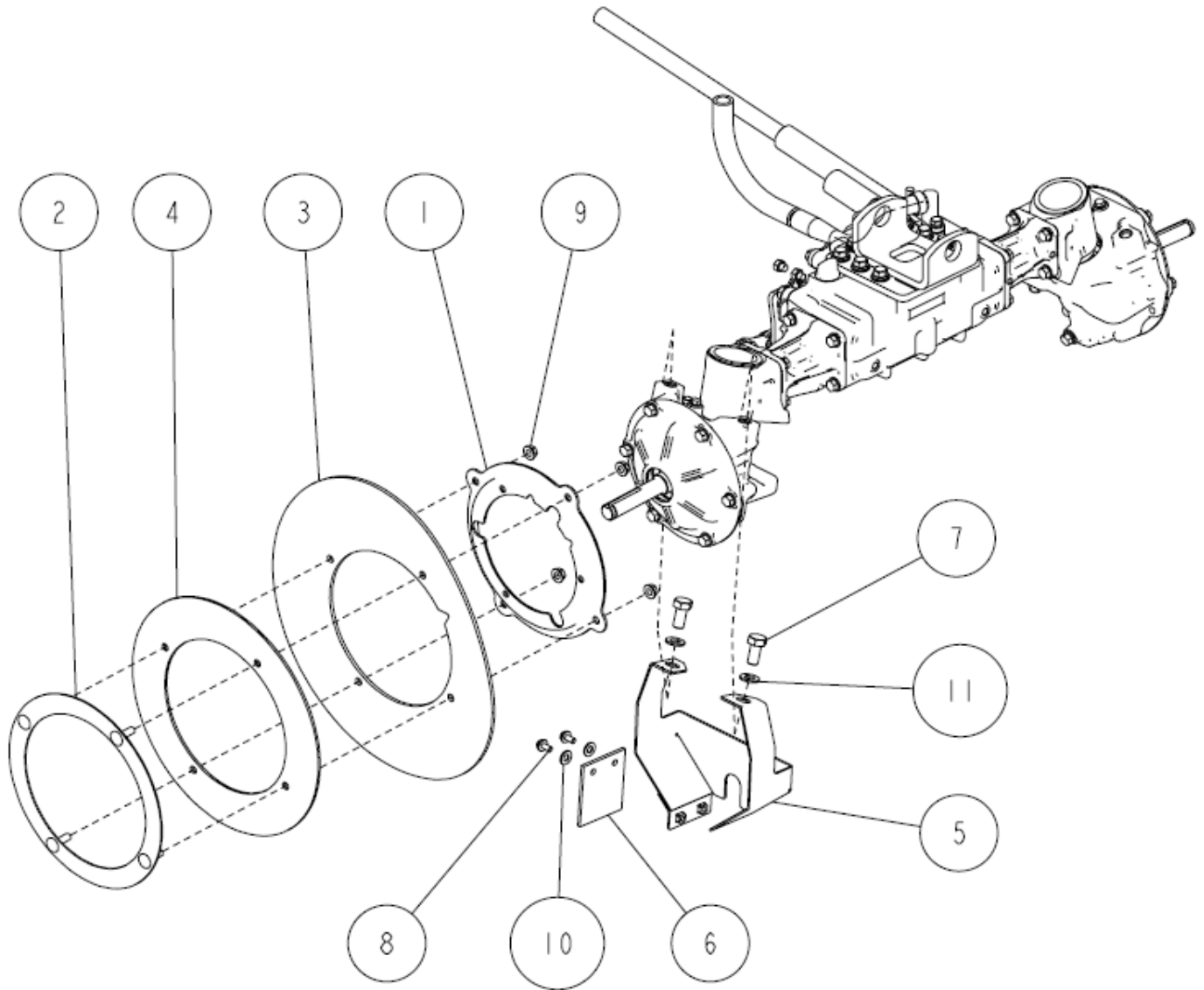
Ref.	Parts Number	Parts Name	Quantity	Remarks
1	0227-31100	Front Flapper Stay (L) CMP	1	
2	0227-31200	Front Flapper Stay (R) CMP	1	
3	0227-60100	Front Flapper	1	
4	0227-60310	Upper Flapper	1	
5	0227-60400	Front Upper Guard CMP	1	
6	0227-81200	Front Foot Guard	1	
7	0244-61700	Upper Flapper Holder	1	
8	0284-53200	Upper Flapper Holder (R)	1	
9	89-1137-060152	Hexagonal Bolt (PW) M6*15	8	
10	89-1253-080302	Flange Mini Hexagonal Bolt (8T) M8*30	4	
11	89-1581-060042	Flange Cap Nut M6	2	
12	89-1631-100042	Flange Mini Hexagonal Nut M10	2	
13	89-1713-060002	Flat Washer 6 (large)	2	
14	89-1713-100002	Flat Washer 10 (large)	2	



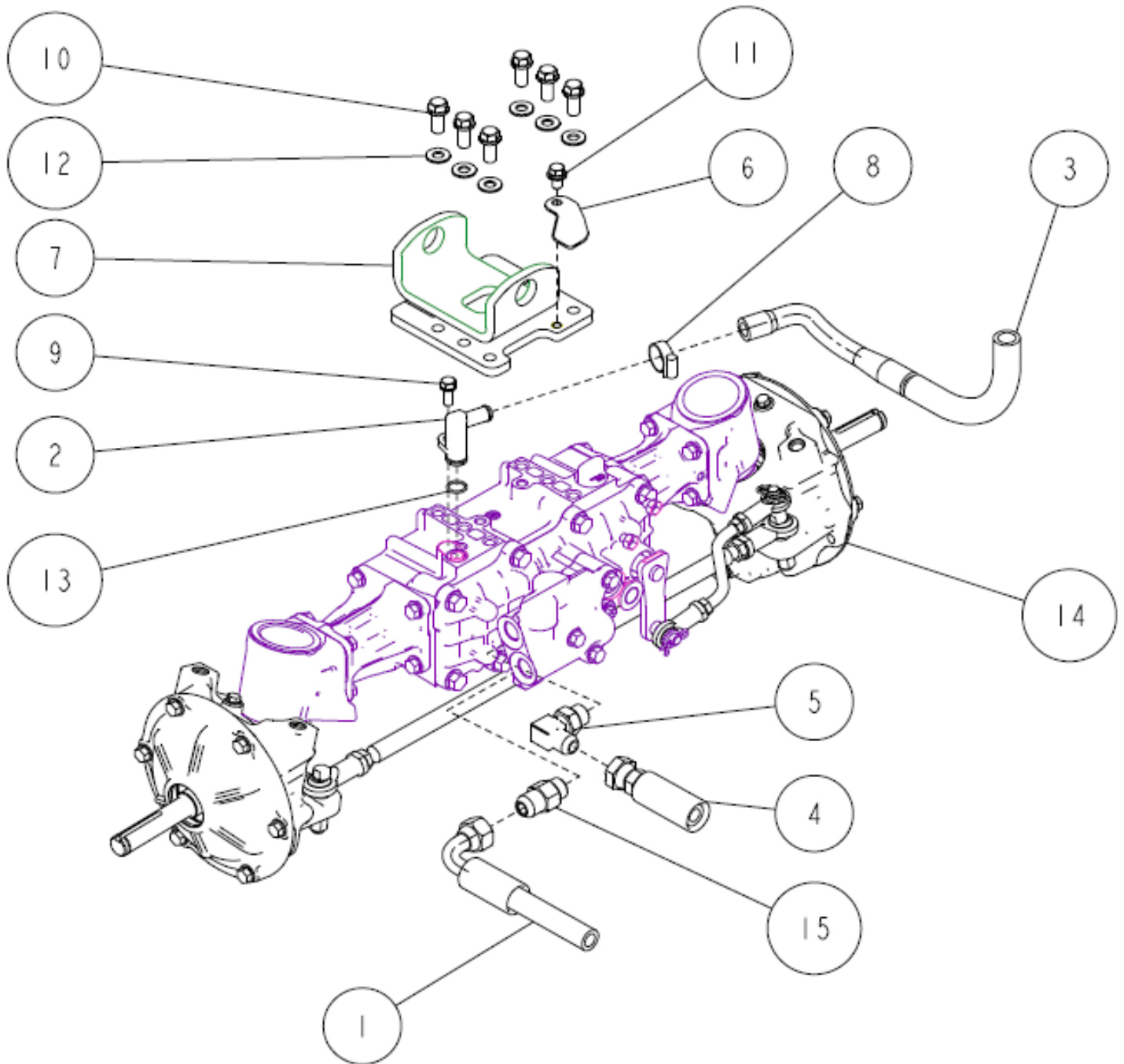
Ref.	Parts Number	Parts Name	Quantity	Remarks
1	0010-71500	Thrust Washer 19*25*1.0	2	
2	0227-30110	Front Wheel Boss	2	
3	0227-32300	Key 3/16*3/16*50	2	
4	0227-32400	Snap Ring (S) (RM980F)	2	
5	0244-79110	Front Wheel Tire (R) Assy (400-7)	1	
6	0244-79210	Front Wheel Tire (L) Assy (4.00-7)	1	
7	89-1113-100252	Hexagonal Bolt (8T) M10*25	8	
8	89-1750-100002	Spring Washer 10	8	
9	0244-79310	Tire (4.00-7)	2	
10	80-1260-404-00	Tire Tube 3.50-7	2	
11	80-1260-407-00	Wheel Assy 3.50-7	2	



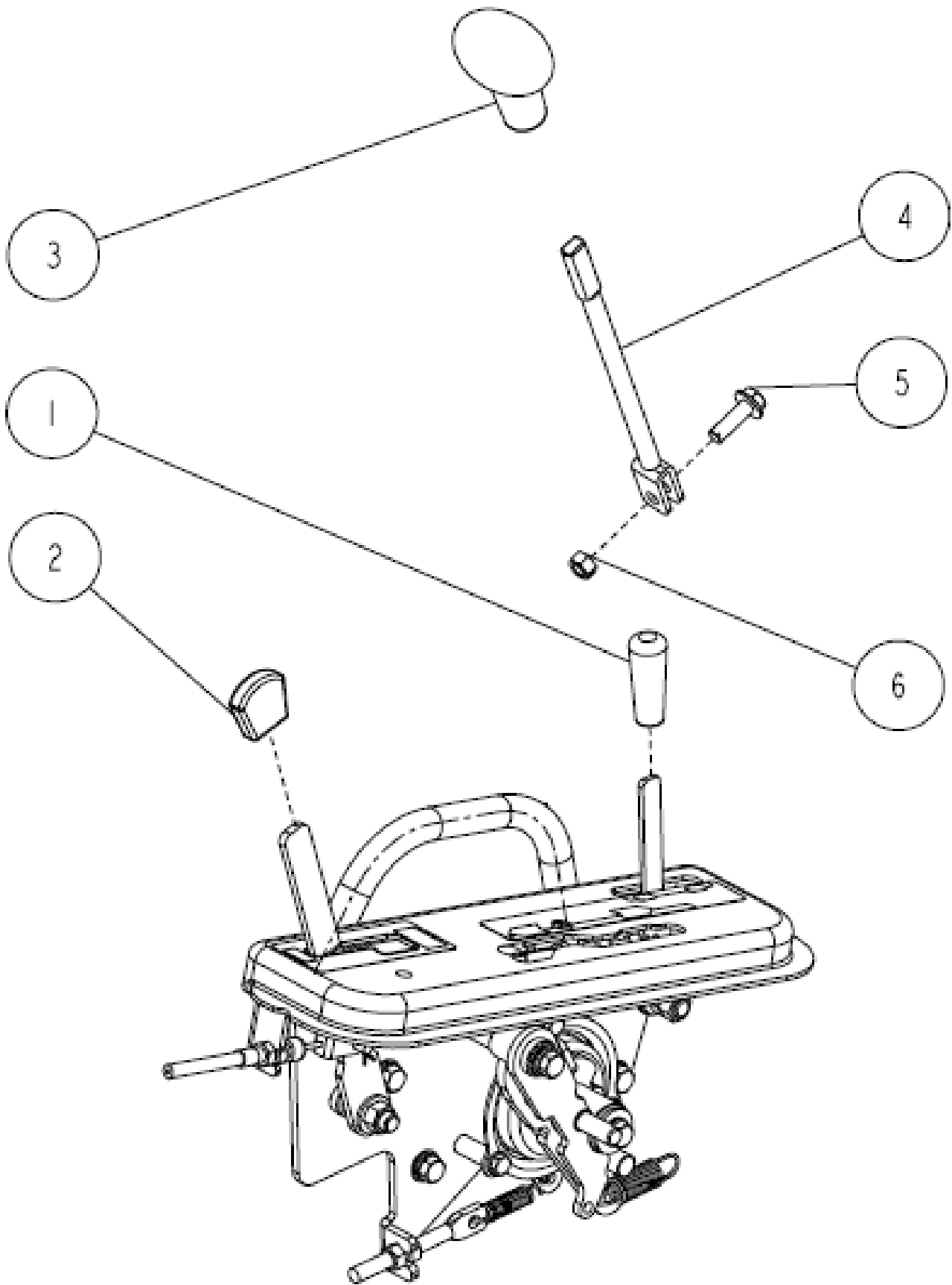
Ref.	Parts Number	Parts Name	Quantity	Remarks
1	0227-30210	Front Wheel Rubber Cover Installation	1	
2	0227-30300	Front Wheel Rubber Cover Holder CMP	1	
3	0227-30400	Front Wheel Rubber Cover	1	
4	0227-30500	Front Wheel Rubber Cover (IN)	1	
5	0227-30700	Front Axle Cover (L) CMP	1	
6	0227-30800	Axle Cover Flapper	1	
7	0227-30900	Steering Knuckle Arm CMP	1	
8	89-1111-120952	Hexagonal Bolt M12*95	1	
9	89-1213-120352	Mini Hexagonal Bolt (8T) M12*35	1	
10	89-1251-060122	Flange Mini Hexagonal Bolt M6*12	2	
11	89-1631-080042	Flange Mini Hexagonal Nut M8	4	
12	89-1711-080002	Flat Washer 8	2	
13	89-1711-120002	Flat Washer 12	2	



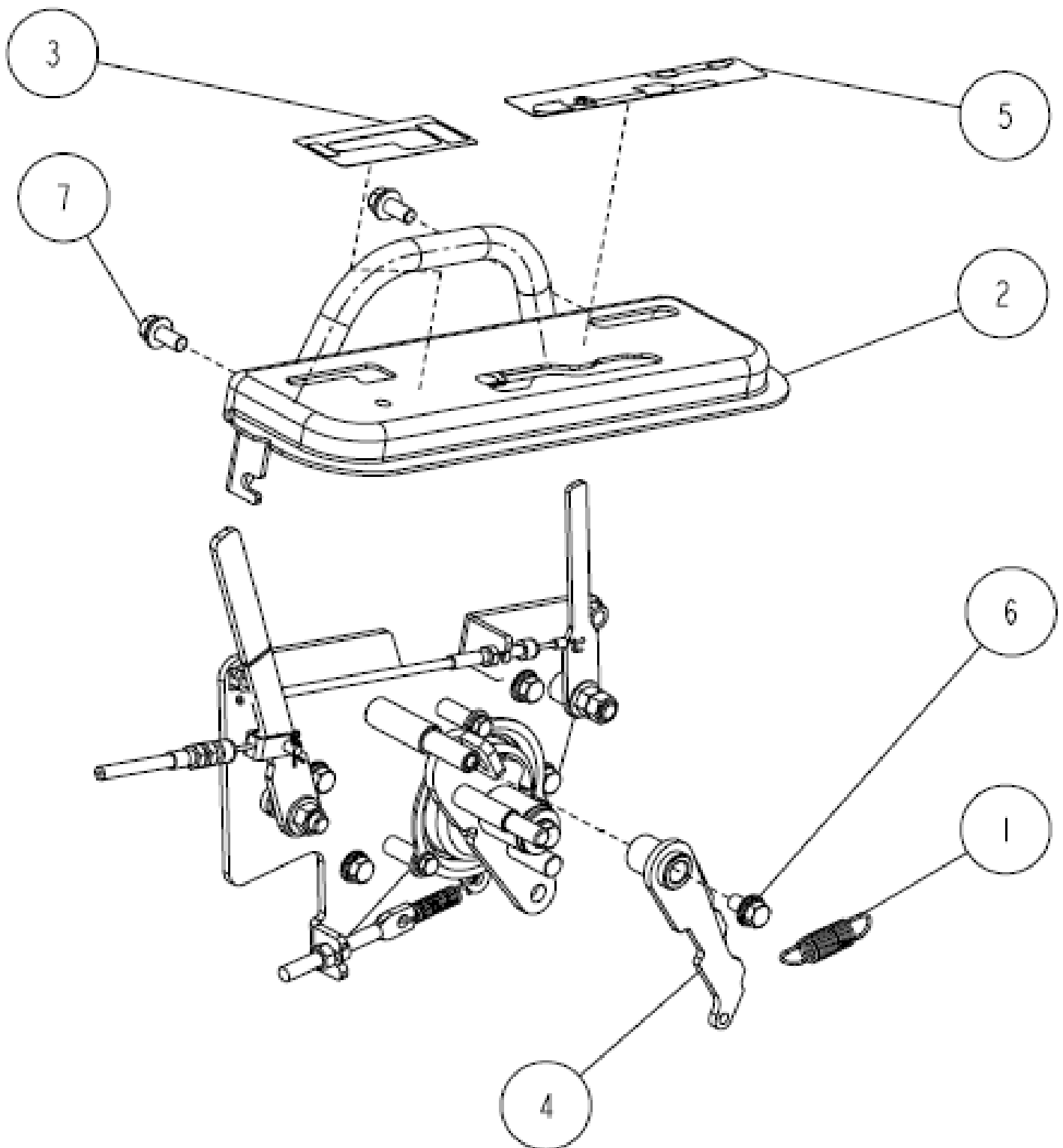
Ref.	Parts Number	Parts Name	Quantity	Remarks
1	0227-30210	Front Wheel Rubber Cover Installation	1	
2	0227-30300	Front Wheel Rubber Cover Holder CMP	1	
3	0227-30400	Front Wheel Rubber Cover	1	
4	0227-30500	Front Wheel Rubber Cover (IN)	1	
5	0227-30600	Front Axle Cover (R) CMP	1	
6	0227-30800	Axle Cover Flapper	1	
7	89-1111-120252	Hexagonal Bolt M12*25	2	
8	89-1251-060122	Flange Mini Hexagonal Bolt M6*12	2	
9	89-1631-080042	Flange Mini Hexagonal Nut M8	4	
10	89-1711-080002	Flat Washer 8	2	
11	89-1711-120002	Flat Washer 12	2	



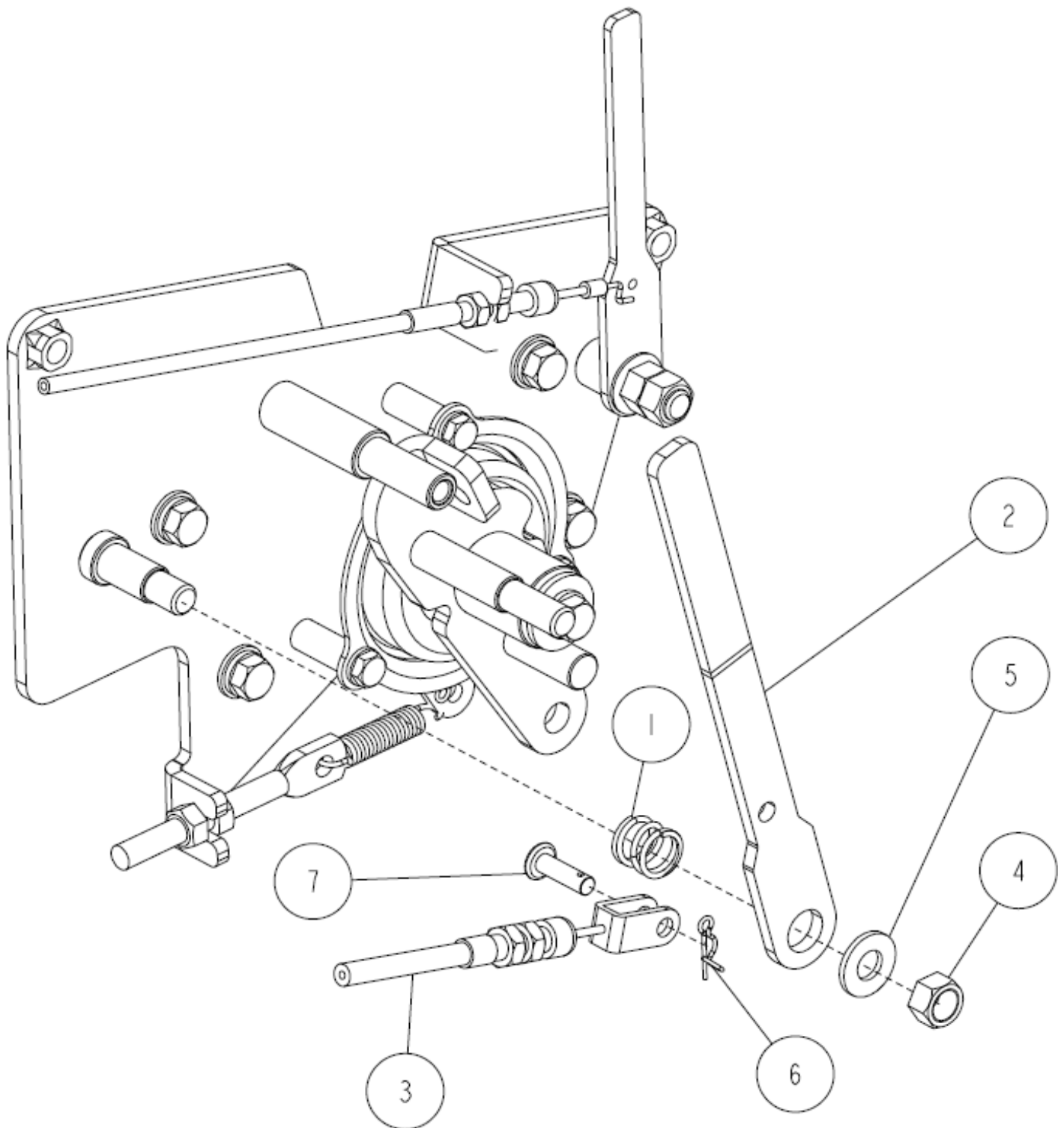
Ref.	Parts Number	Parts Name	Quantity	Remarks
1	0227-00400	Oil Pressure Hose 1590L	1	
2	0227-00500	Hose Joint	1	
3	0227-00600	HST Hose	1	
4	0227-01300	Oil Pressure Hose 1670L	1	
5	0227-01600	Adjustable Elbow	1	
6	0227-01700	Hose Holder	1	
7	0227-31300	Front Axle Holder CMP	1	
8	0228-70200	Hose Band 24	1	
9	89-1232-080202	Mini Hexagonal Bolt (SW) M8*20	1	
10	89-1232-100252	Mini Hexagonal Bolt (SW) M10*25	6	
11	89-1233-080162	Mini Hexagonal Bolt (PWSW) M8*16	1	
12	89-1714-100002	Flat Washer 10	6	
13	89-5221-014000	O Ring P14	1	
14	0227-01200	Front Unit Assy (KXH10N)	1	
15	0227-00800	Joint 3-4-16UNF	1	



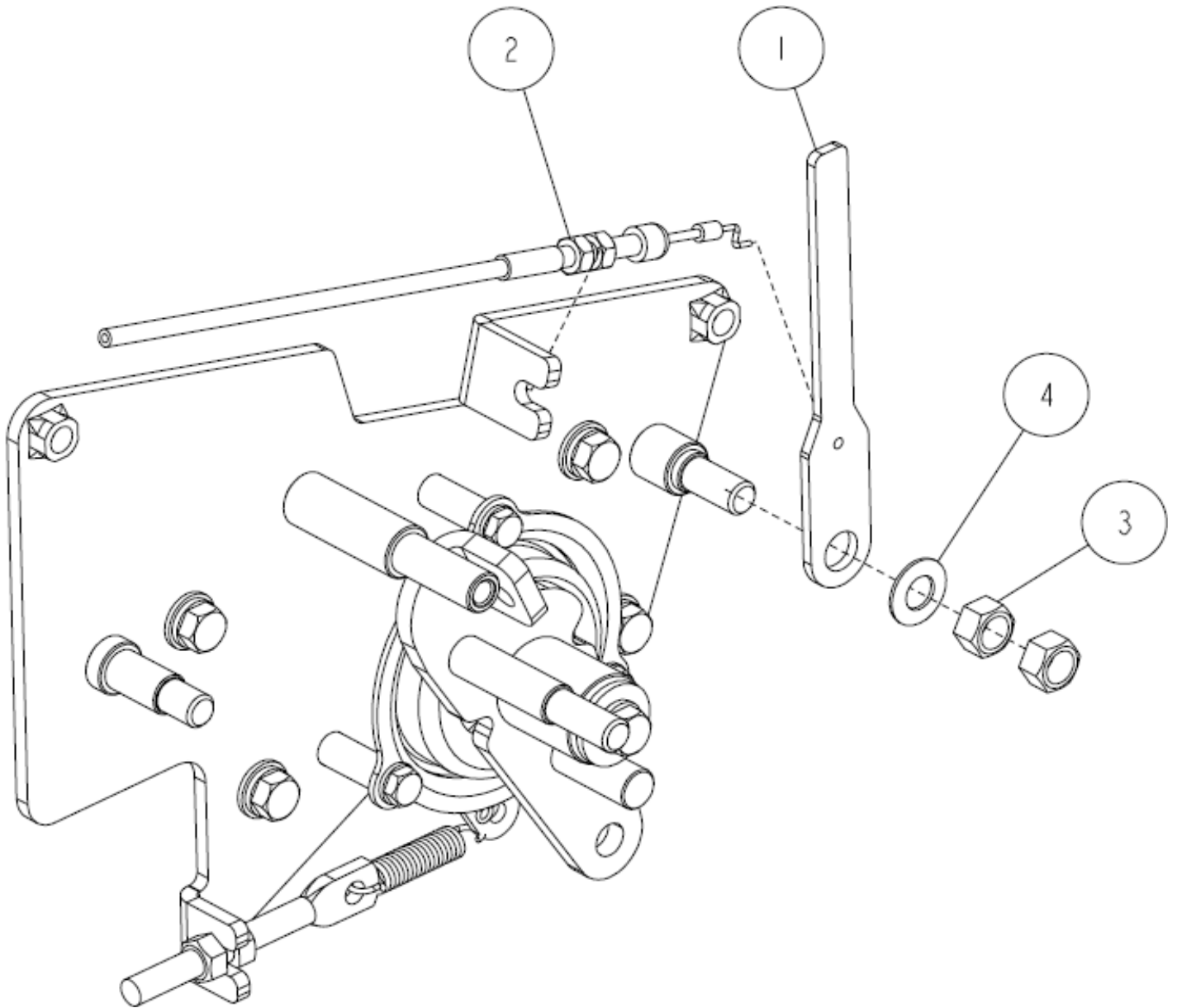
Ref.	Parts Number	Parts Name	Quantity	Remarks
1	0207-72600	Lever Grip 8 (black)	1	
2	0215-70600	Lever Grip (Red)	1	
3	0221-13200	Change Grip	1	
4	0244-15500	Change Lever (S) CMP	1	
5	89-1253-080252	Flange Mini Hexagonal Bolt (8T) M8*25	1	
6	89-1561-080002	Mini Hexagonal U Nut M8	1	



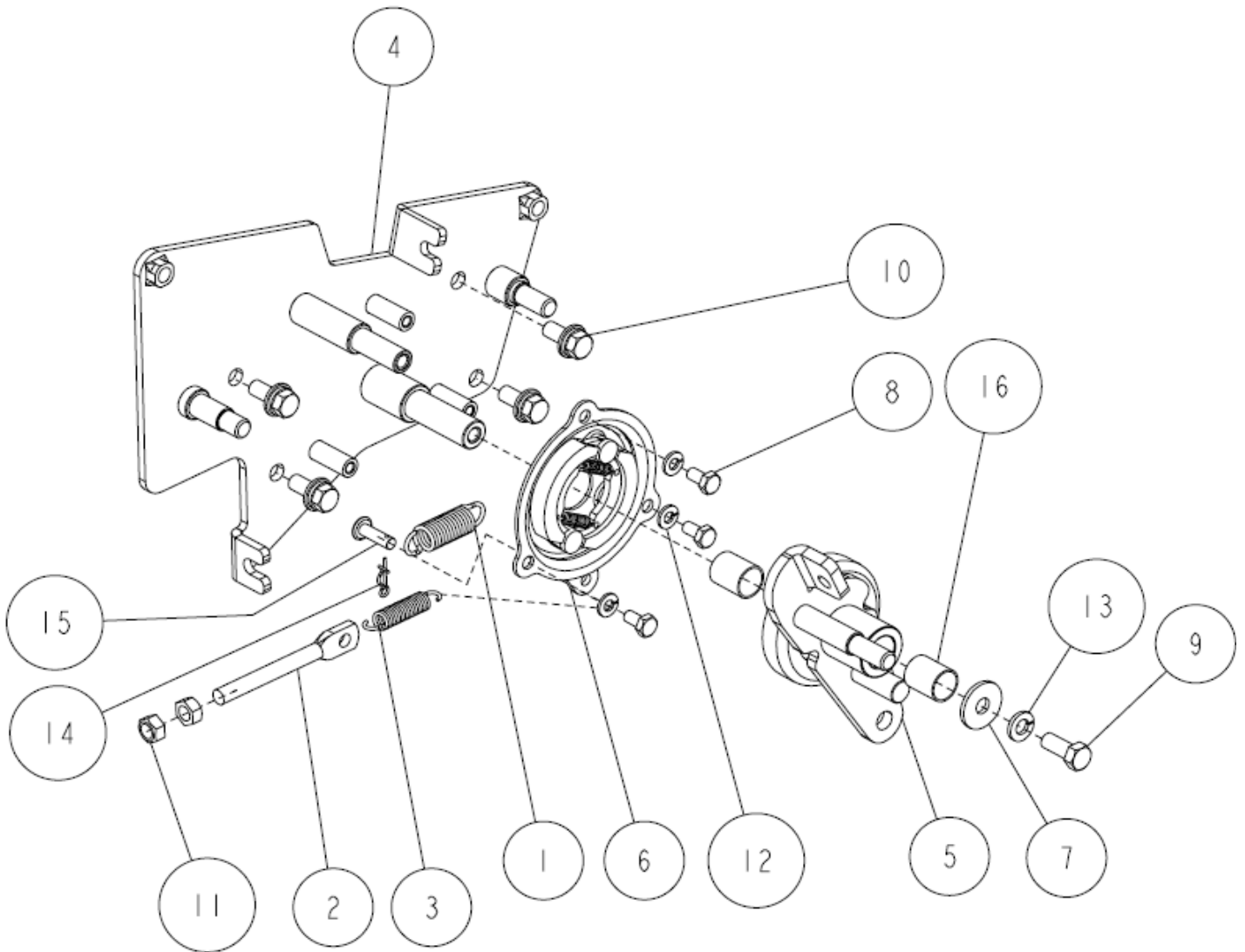
Ref.	Parts Number	Parts Name	Quantity	Remarks
1	0208-71800	Spring, Neutral	1	
2	0227-11200	Control Guide CMP	1	
3	0227-74300	Label, Defferential Lock (13271)	1	
4	0244-12300	Change Arm CMP	1	
5	0259-80400	Label, Change (13256)	1	
6	89-1233-080162	Mini Hexagonal Bolt (PWSW) M8*16	1	
7	89-1233-080202	Mini Hexagonal Bolt (PWSW) M8*20	2	



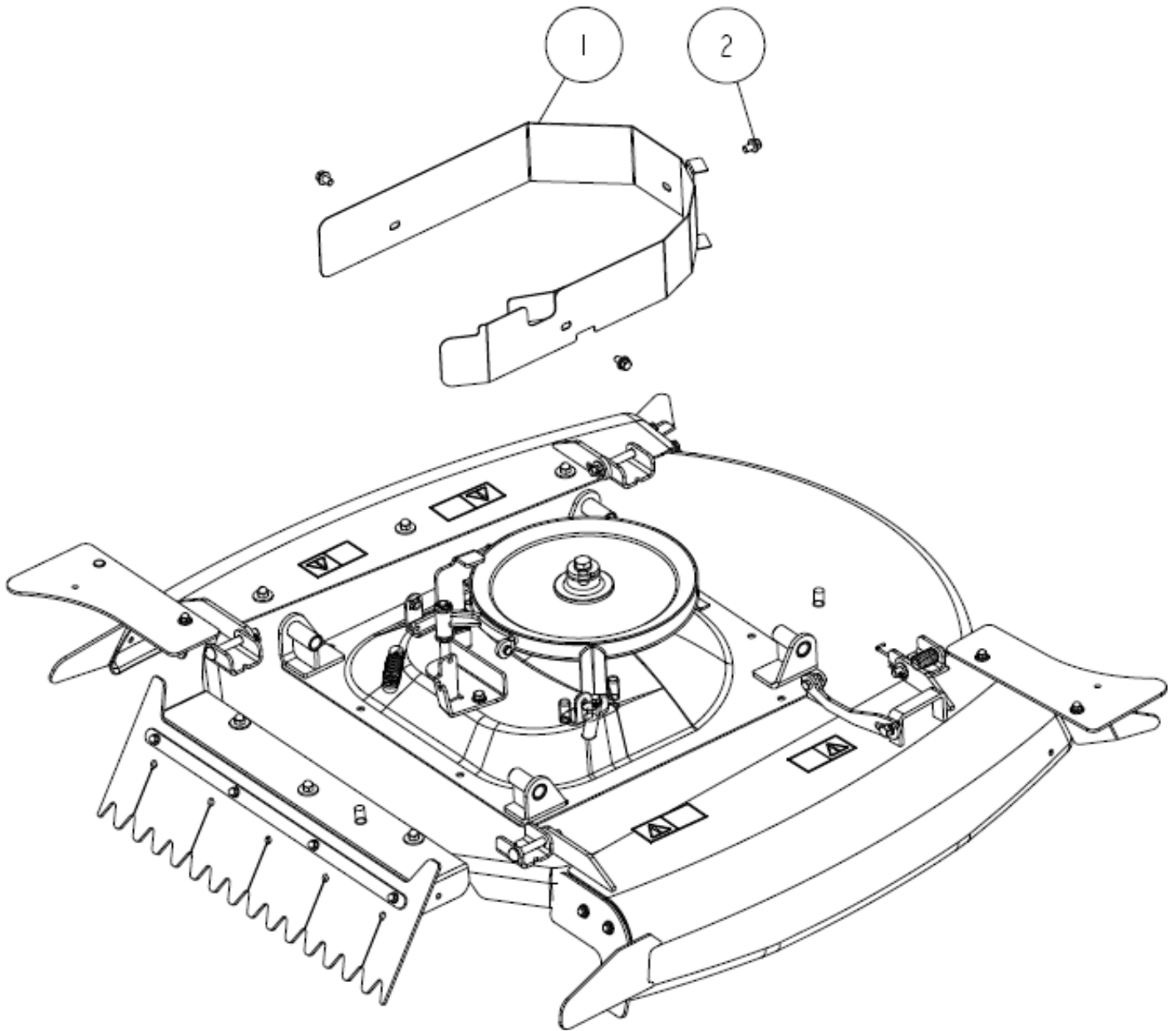
Ref.	Parts Number	Parts Name	Quantity	Remarks
1	80-1020-263-00	Control Lever Shaft Spring	1	
2	0227-11300	Differential Lock Lever CMP	1	
3	0244-72400	Differential Lock Wire	1	
4	89-1561-100002	Mini Hexagonal U Nut M10	1	
5	89-1712-100000	Flat Washer 10	1	
6	89-2132-060002	Snap Pin 6 (with stopper)	1	
7	89-2181-060202	Flat Head Pin 6*20	1	



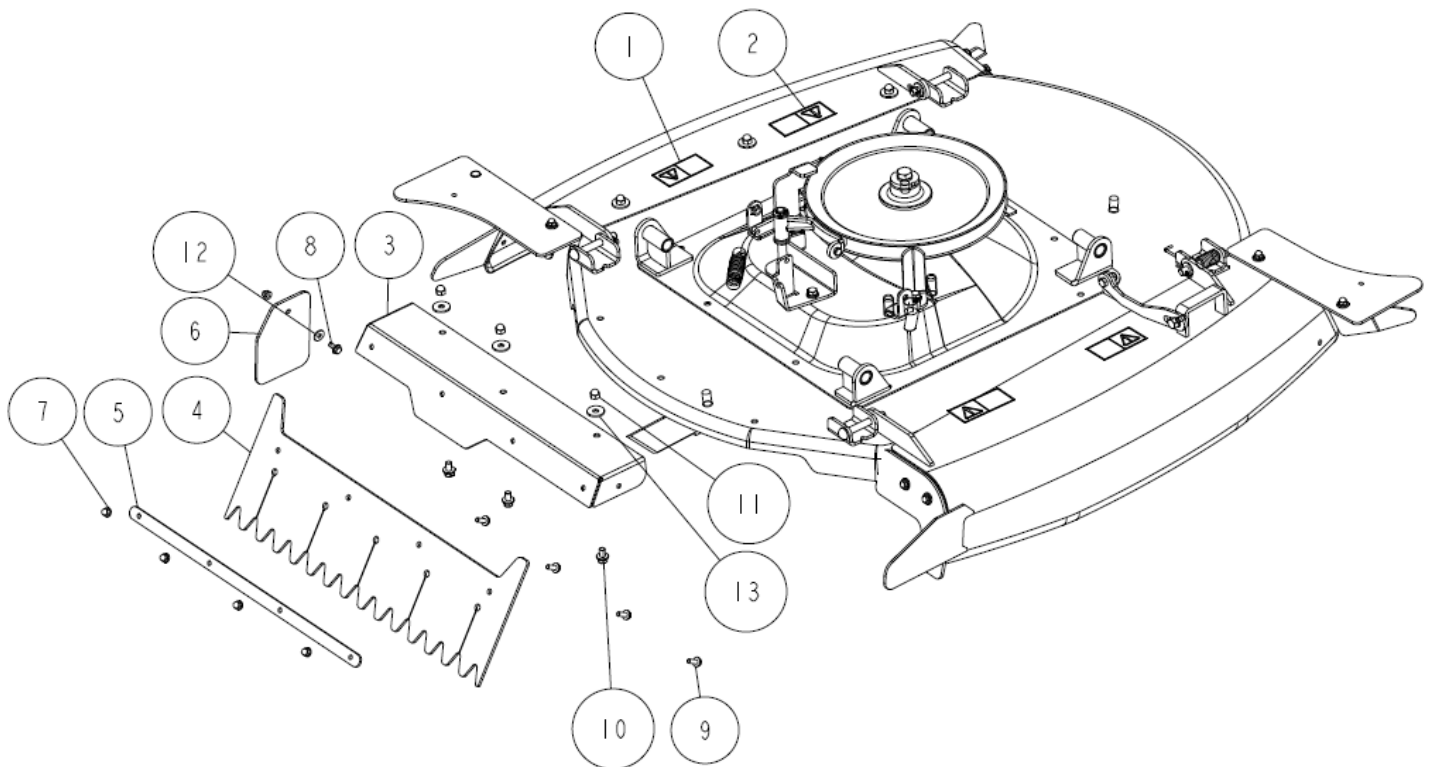
Ref.	Parts Number	Parts Name	Quantity	Remarks
1	0244-12500	Throttle Lever	1	
2	0244-72100	Throttle Wire (B)	1	
3	89-1611-100042	Mini Hexagonal Nut M10	2	
4	89-1852-100000	Belleville Spring H10	1	



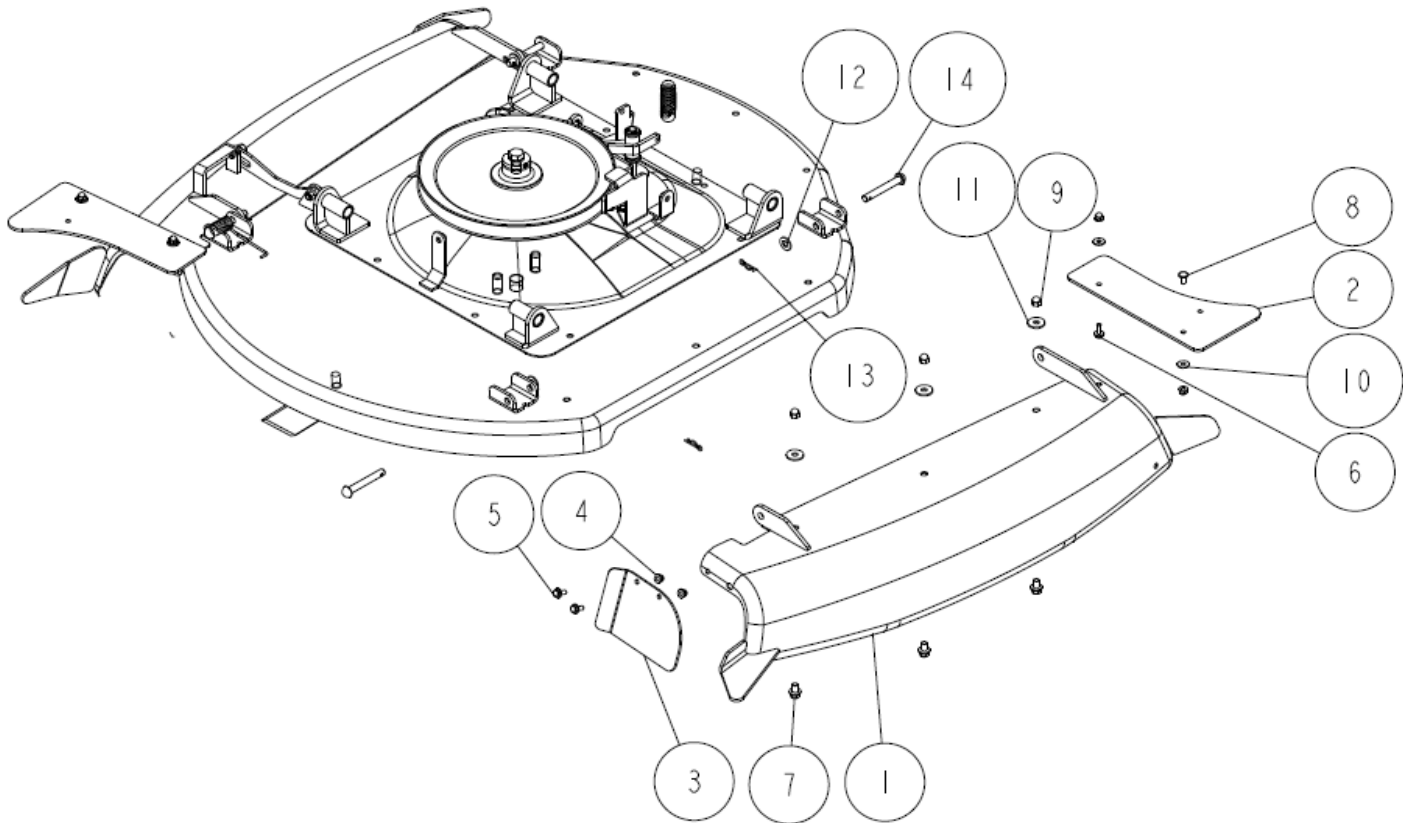
Ref.	Parts Number	Parts Name	Quantity	Remarks
1	80-1614-315-00	Return Spring	1	
2	0207-72300	Change Brake Adjuster	1	
3	0225-11800	Spring, Change Brake	1	
4	0227-11400	Change Bracket CMP	1	
5	0244-12200	Change Brake CMP	1	
6	0244-12800	Brake Assy	1	
7	83-1751-311-00	Flat Washer 8*25*2.3	1	
8	89-1113-060122	Hexagonal Bolt (8T) M6*12	3	
9	89-1211-080202	Mini Hexagonal Bolt M8*20	1	
10	89-1233-080202	Mini Hexagonal Bolt (PWSW) M8*20	4	
11	89-1611-080042	Mini Hexagonal Nut M8	2	
12	89-1750-060002	Spring Washer 6	3	
13	89-1750-080002	Spring Washer 8	1	
14	89-2132-060002	Snap Pin 6 (with stopper)	1	
15	89-2181-060202	Flat Head Pin 6*20	1	
16	89-3510-015200	DU Bush 15.20	2	



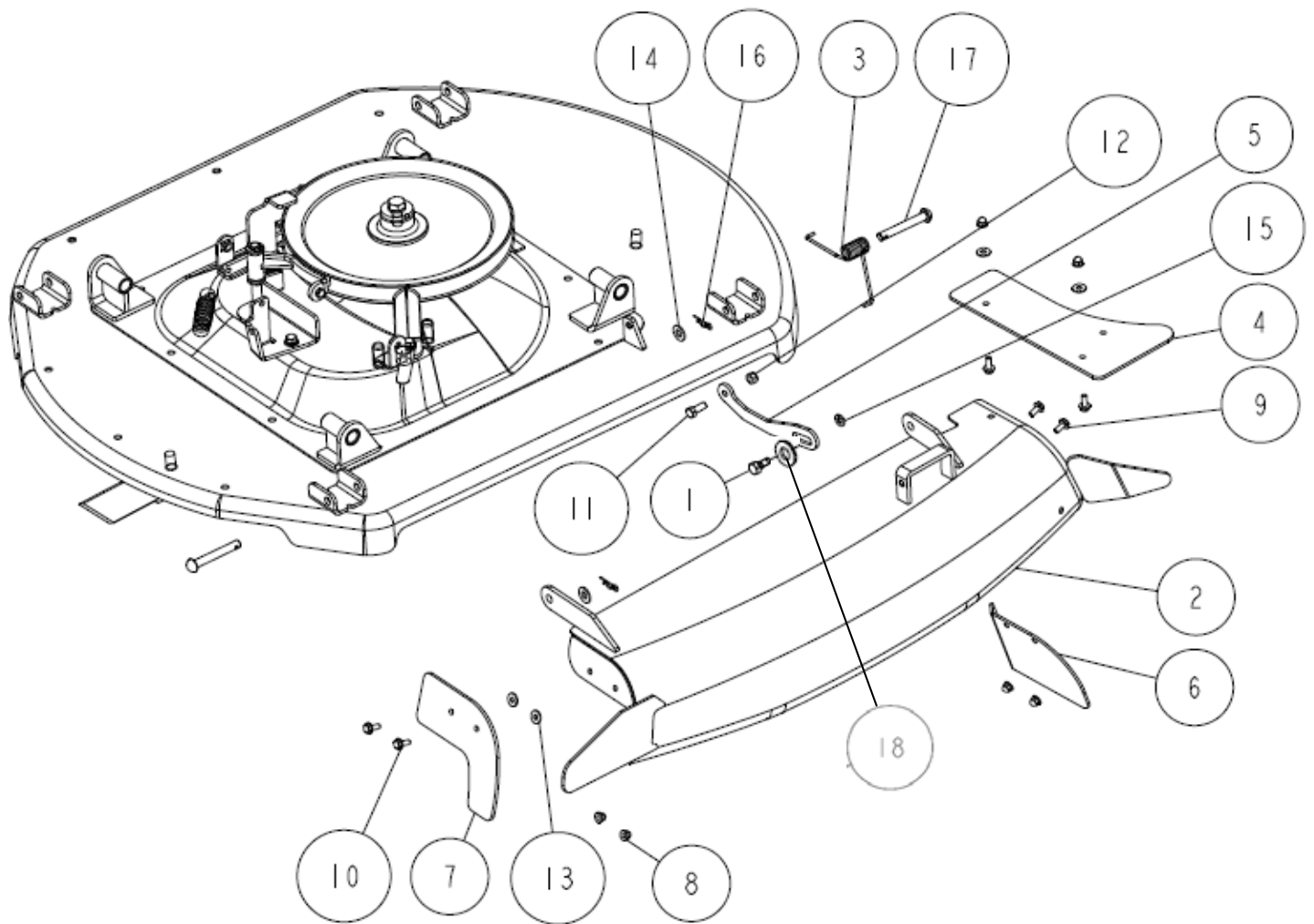
Ref.	Parts Number	Parts Name	Quantity	Remarks
1	0227-81300	Knife Belt Cover CMP (RM980F)	1	
2	89-1233-080162	Mini Hexagonal Bolt (PWSW) M8*16	3	



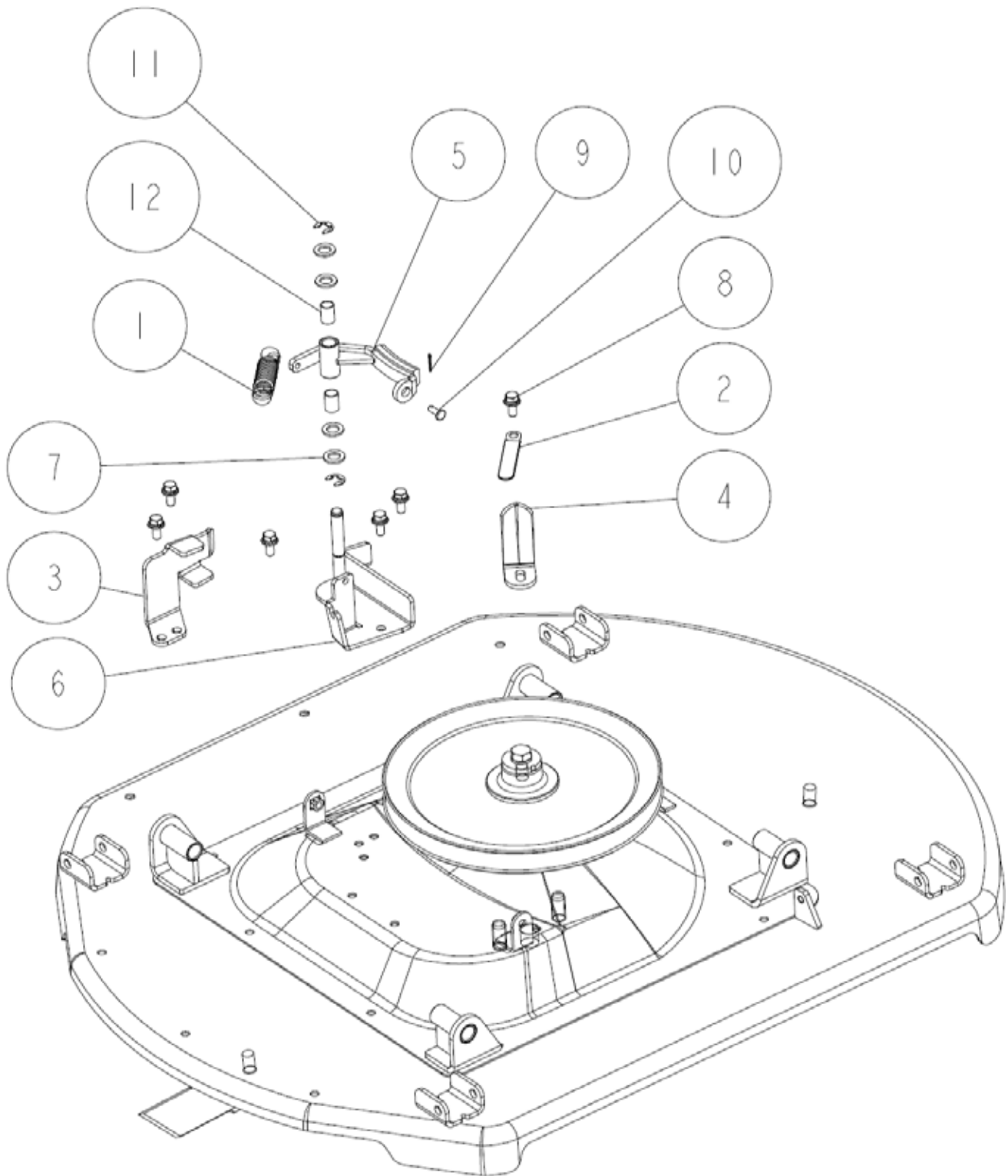
Ref.	Parts Number	Parts Name	Quantity	Remarks
1	80-1488-926-10	Label, Caution for Knife	2	
2	80-1488-928-10	Label, Caution for Belt Involving	2	
3	0244-61200	Rear Guard	1	
4	0244-61300	Rear Guard Flapper	1	
5	0244-61400	Rear Guard Flapper Holder	1	
6	0244-62600	Side Flapper (Rear)	1	
7	89-1581-060042	Flange Cap Nut M6	6	
8	89-1137-060152	Hexagonal Bolt (PW) M6*15	2	
9	89-1137-060172	Hexagonal Bolt (PW) M6*17	4	
10	89-1233-080162	Mini Hexagonal Bolt (PWSW) M8*16	3	
11	89-1671-080042	Mini Cap Nut M8	3	
12	89-1713-060002	Flat Washer 6 (large)	2	
13	89-1714-080002	Flat Washer 8	3	



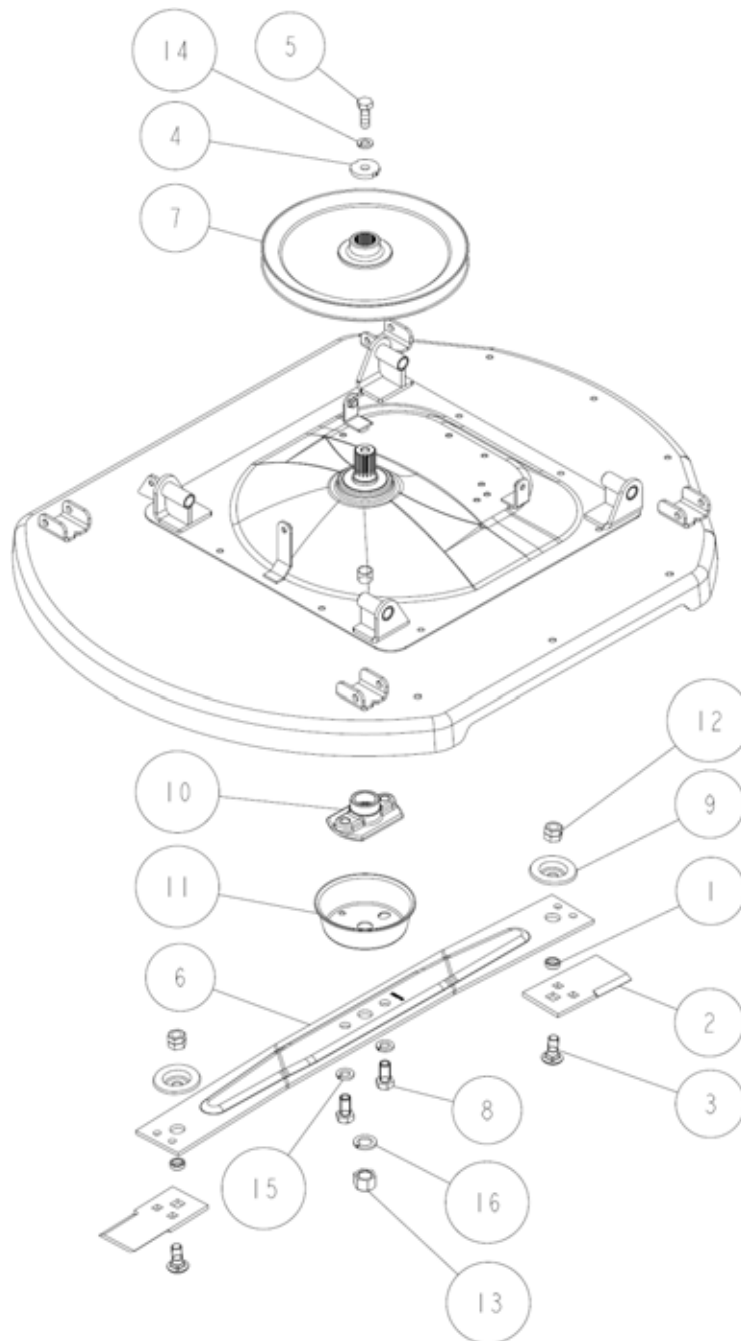
Ref.	Parts Number	Parts Name	Quantity	Remarks
1	0227-81600	Left Cover CMP (RM980F)	1	
2	0255-60300	Right Cover Flapper	1	
3	0259-53200	Foot Guard (Front Left)	1	
4	89-1581-060042	Flange Cap Nut M6	4	
5	89-1137-060152	Hexagonal Bolt (PW) M6*15	2	
6	89-1137-060172	Hexagonal Bolt (PW) M6*17	1	
7	89-1233-080162	Mini Hexagonal Bolt (PWSW) M8*16	3	
8	89-1390-060142	Welded Bolt M6*14	1	
9	89-1671-080042	Mini Cap Nut M8	3	
10	89-1713-060002	Flat Washer 6 (large)	2	
11	89-1714-080002	Flat Washer 8	3	
12	89-1714-100002	Flat Washer 10	2	
13	89-2131-100002	Snap Pin 10	2	
14	89-2191-100720	Round Head Pin 10*72	2	



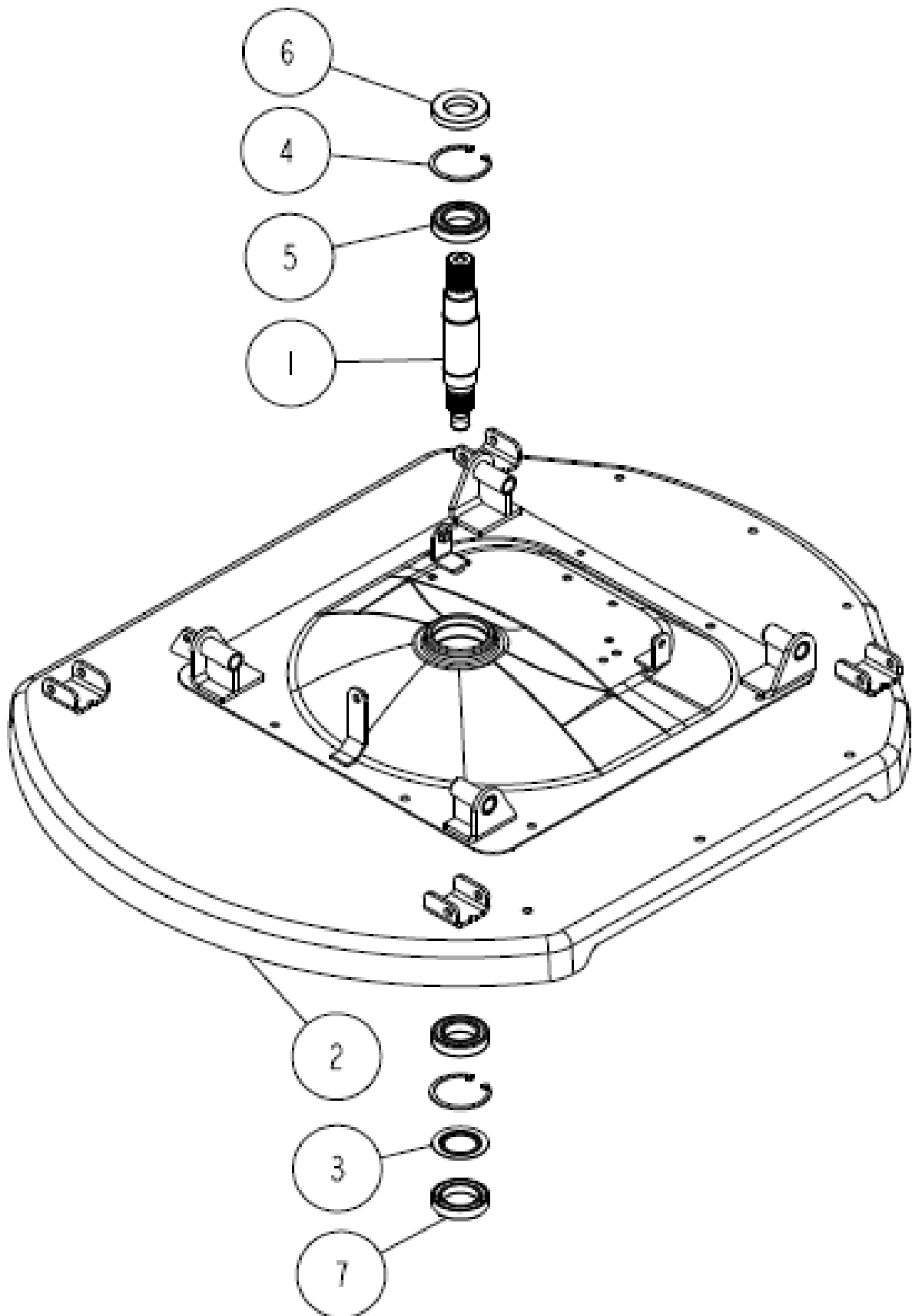
Ref.	Parts Number	Parts Name	Quantity	Remarks
1	80-1488-747-00	Bolt for Right Cover Up/Down Arm	1	
2	0227-81700	Right Cover CMP (RM980F)	1	
3	0244-71600	Spring for Right Cover	1	
4	0255-60300	Right Cover Flapper	1	
5	0259-51700	Right Cover Up/Down Arm	1	
6	0259-53100	Foot Guard (Front Right)	1	
7	0290-50200	Side Flapper (Back Right)	1	
8	89-1581-060042	Flange Cap Nut M6	6	
9	89-1137-060172	Hexagonal Bolt (PW) M6*17	4	
10	89-1137-060152	Hexagonal Bolt (PW) M6*15	2	
11	89-1253-080202	Flange Mini Hexagonal Bolt (8T) M8*20	1	
12	89-1561-080002	Mini Hexagonal U Nut M8	1	
13	89-1713-060002	Flat Washer 6 (large)	8	
14	89-1714-100002	Flat Washer 10	2	
15	89-1750-080002	Spring Washer 8	1	
16	89-2131-100002	Snap Pin 10	2	
17	89-2191-100720	Round Head Pin 10*72	2	
18	89-1711-100002	Flat Washer 10*18*1.6	1	



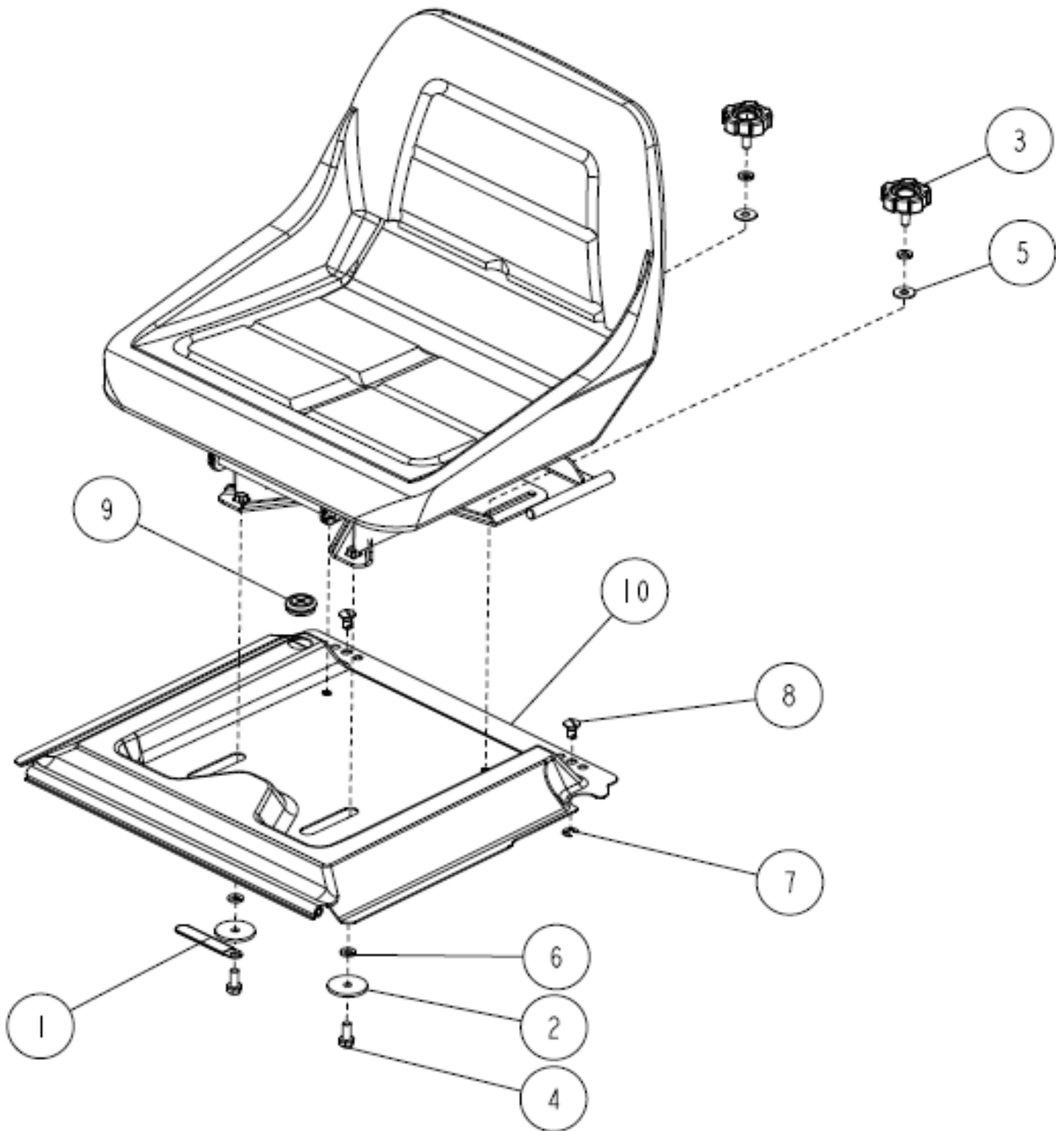
Ref.	Parts Number	Parts Name	Quantity	Remarks
1	80-1485-551-00	Driving Tension Spring	1	
2	80-1792-988-00	Harness Clip 8	1	
3	0244-42400	Knife Pulley Belt Holder (L)	1	
4	0244-42600	Knife Pulley Belt Holder	1	
5	0244-50600	Knife Brake	1	
6	0244-50710	Knife Brake Bracket CMP	1	
7	83-1565-329-00	Washer 13*22*2.3	4	
8	89-1233-080202	Mini Hexagonal Bolt (PWSW) M8*20	6	
9	89-2120-200152	Split Pin 2*15	1	
10	89-2181-060162	Flat Head Pin 6*16	1	
11	89-2521-000100	E Type Ring 10	2	
12	89-3510-012200	DU Bush 12.20	2	



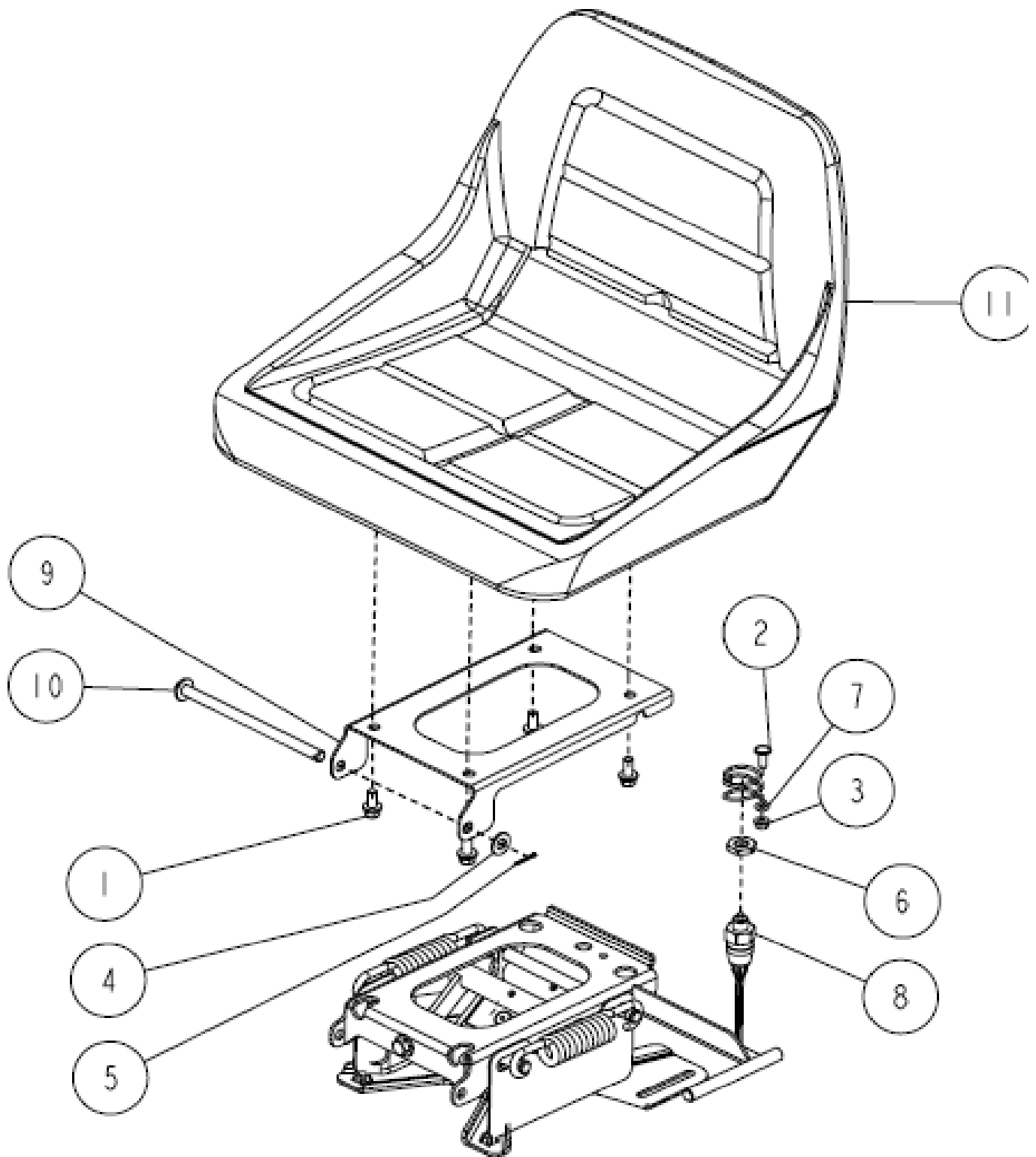
Ref.	Parts Number	Parts Name	Quantity	Remarks
1	80-1483-818-00	Knife Collar	2	
2	80-1483-821-00	Knife	2	
3	0207-50200	Knife Setting Bolt M14*34	2	
4	0221-76100	Washer 12*40*6	1	
5	0221-76200	Mini Hexagonal Bolt (8T) M12*35	1	
6	0244-51200	Knife Stay (R817B)	1	
7	0244-51500	Knife Pulley CMP	1	
8	0244-51600	Mini Hexagonal Bolt (8T) M14*30 (Knife Stay)	2	
9	0244-51800	Nut Guard 14	2	
10	0244-51900	Knife Bracket	1	
11	0244-52100	Knife Neck Guard	1	
12	0244-74600	Hard Lock Nut M14	2	
13	83-1483-175-00	Bag Nut M20 (Lock)	1	
14	89-1750-120002	Spring Washer 12	1	
15	89-1750-140002	Spring Washer 14	2	
16	89-1750-200002	Spring Washer 20	1	
3,9,12	0244-78210	Knife Setting Bolt Set M14	(2)	No.3 / 2pcs including
1,2,3,9,12	0244-78010	Knife & Blade Bolt Set RM85	(1)	No.3 / 4pcs including



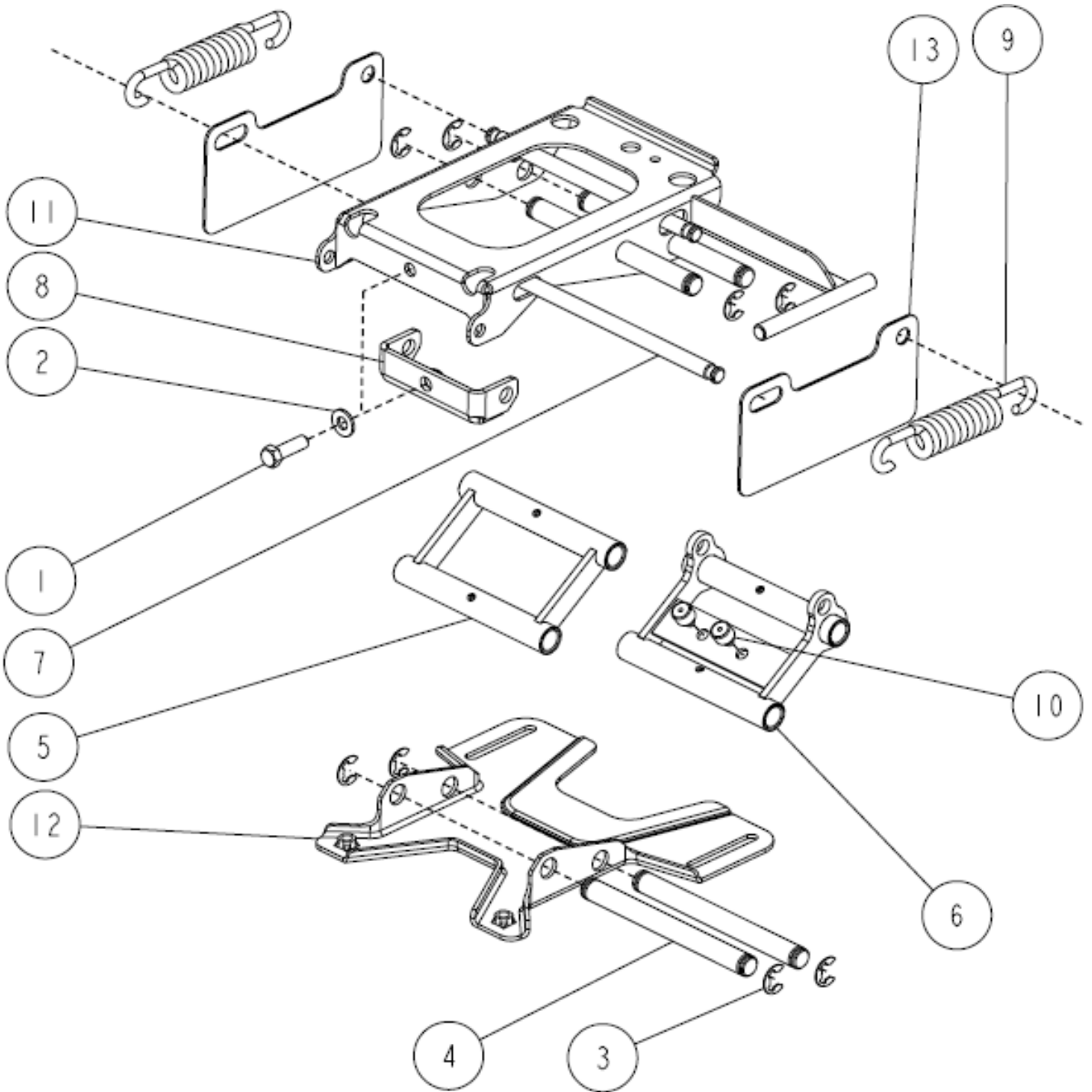
Ref.	Parts Number	Parts Name	Quantity	Remarks
1	80-1493-641-00	Vertical Shaft	1	
2	0227-50300	Safety Cover CMP	1	
3	0262-50100	Dust Plate	1	
4	89-2512-000620	Snap Ring (R62)	2	
5	89-3115-060074	Bearing 6007 2RS	2	
6	89-5121-356210	Oil Seal UE 35.62.10	1	
7	89-5121-406212	Oil Seal UE 40.62.12	1	



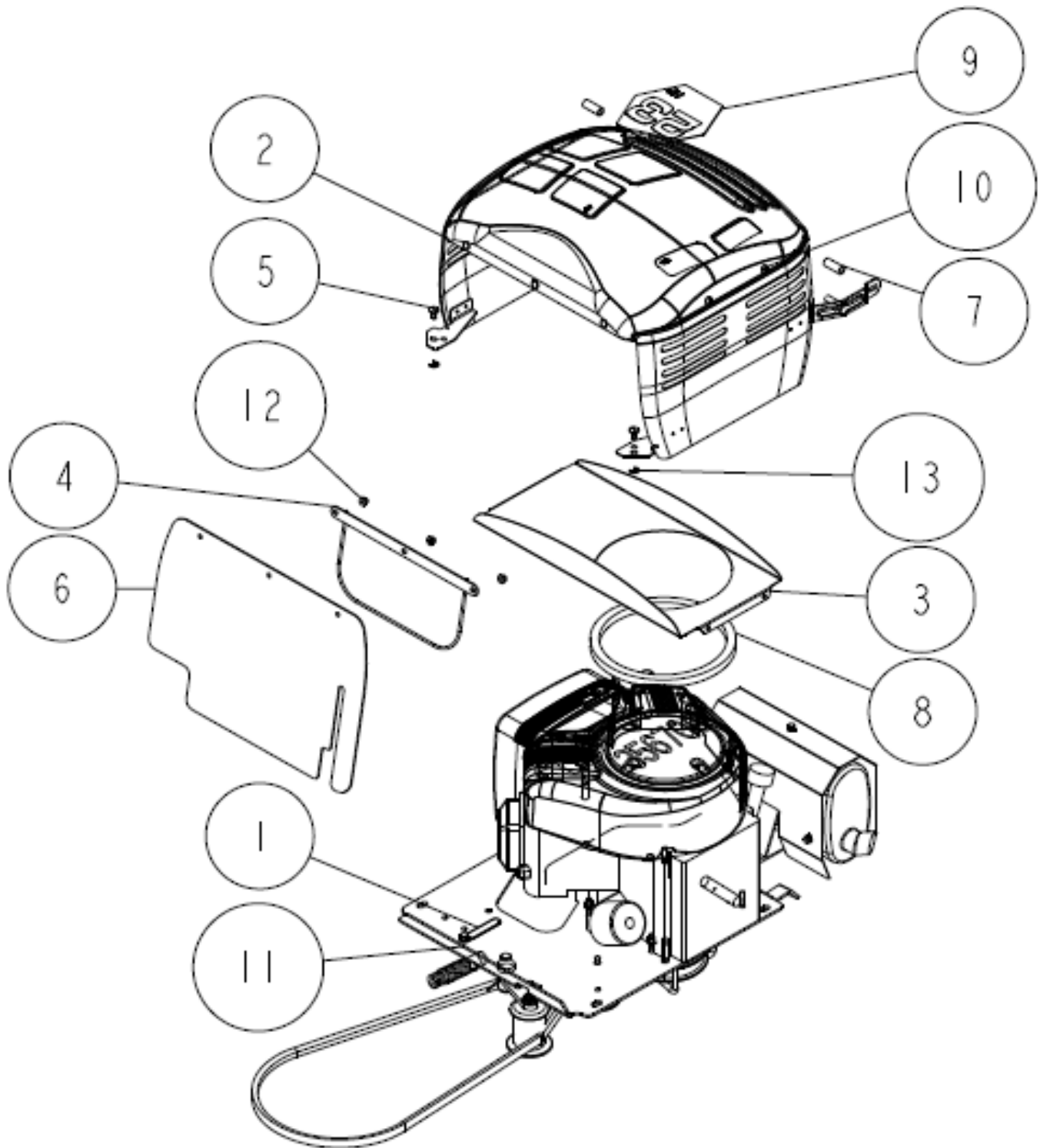
Ref.	Parts Number	Parts Name	Quantity	Remarks
1	80-1792-988-00	Harness Clip 8	1	
2	83-1020-314-00	Washer 8*40*2.3	2	
3	83-1560-101-00	Knob Bolt M8*15	2	
4	89-1232-080202	Mini Hexagonal Bolt (SW) M8*20	2	
5	89-1713-080002	Flat Washer 8 (large)	2	
6	89-1750-080002	Spring Washer 8	4	
7	89-2521-000083	E Type Ring 8	2	
8	0244-71300	Sine Fastener T9-170	2	
9	0244-73700	Grommet 24	1	
10	0259-22110	Seat Bracket CMP	1	



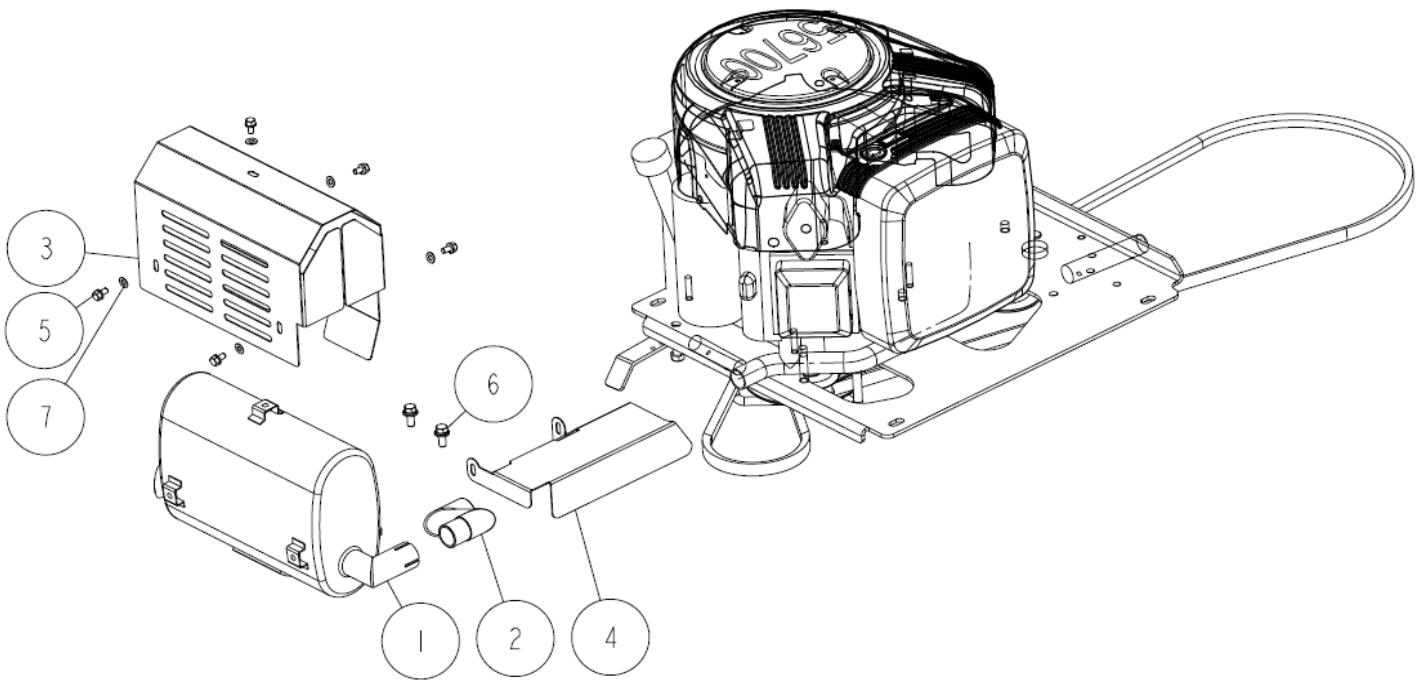
Ref.	Parts Number	Parts Name	Quantity	Remarks
1	89-1233-080202	Mini Hexagonal Bolt (PWSW) M8*20	4	
2	89-1390-060162	Welded Bolt M6*16	1	
3	89-1531-060042	Flange Nut M6	1	
4	89-1714-100002	Flat Washer 10	1	
5	89-2120-200202	Split Pin 2*20	1	
6	0207-72800	Switch Lock Nut	1	
7	0207-72900	Seat Switch Spring	1	
8	0207-74400	Safety Switch K17850	1	
9	0244-21810	Seat Receiver (97EU)	1	
10	0244-22300	Seat Receive Pin CMP	1	
11	0284-78100	Seat K4 (Black)	1	



Ref.	Parts Number	Parts Name	Quantity	Remarks
1	89-1211-100302	Mini Hexagonal Bolt M10*30	1	
2	89-1714-100002	Flat Washer 10	1	
3	89-2521-000120	E Type Ring 12	8	
4	0244-21100	Seat Link Pin	4	
5	0244-21400	Seat Link (A) CMP	1	
6	0244-21500	Seat Link (B) CMP	1	
7	0244-21600	Spring Shaft	2	
8	0244-21700	Spring Shaft Hook CMP	1	
9	0244-71200	Spring for Seat Link	2	
10	0244-71400	Seat Cushion Rubber	2	
11	0259-21210	Link Upper CMP (98E)	1	
12	0262-20400	Link Under Bracket	1	
13	0292-80300	Seat Link Shield	2	

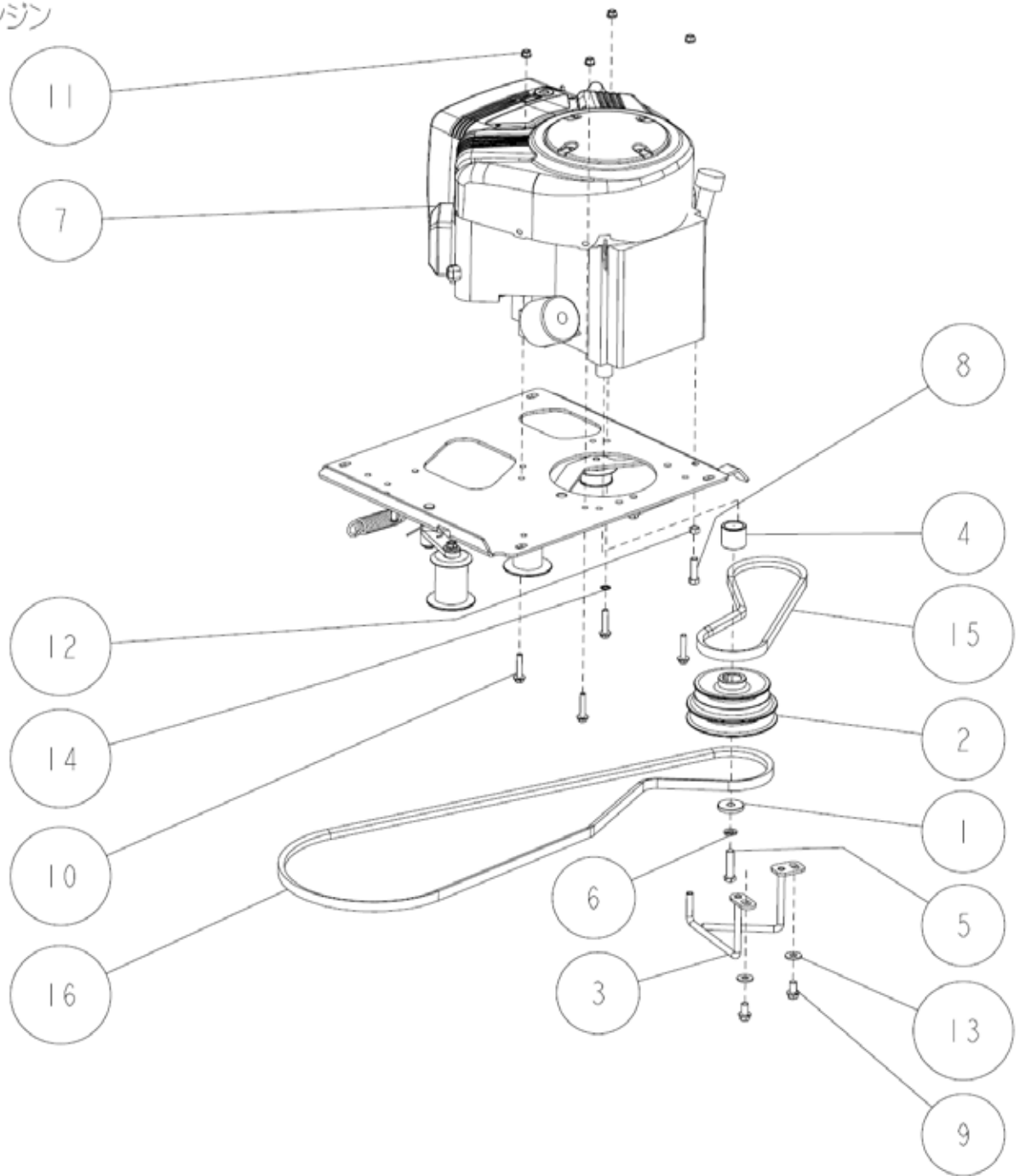


Ref.	Parts Number	Parts Name	Quantity	Remarks
1	80-1792-988-00	Harness Clip 8	1	
2	0227-61100	Engine Bonnet (RM980F)	1	
3	0244-60500	Duct CMP	1	
4	0244-62510	Wind Shield Holder CMP	1	
5	0244-71300	Sine Fastener T9-170	2	
6	0244-72800	Wind Shield	1	
7	0244-76500	Rubber Tube 10-14	2	
8	0244-77700	Air intake Packing	1	
9	0244-80500	Label,Engine 23HP	1	
10	89-1159-060108	Truss Mini Screw M6*10	4	
11	89-1233-080162	Mini Hexagonal Bolt (PWSW) M8*16	1	
12	89-1581-060042	Flange Cap Nut M6	3	
13	89-2521-000083	E Type Ring 8	2	

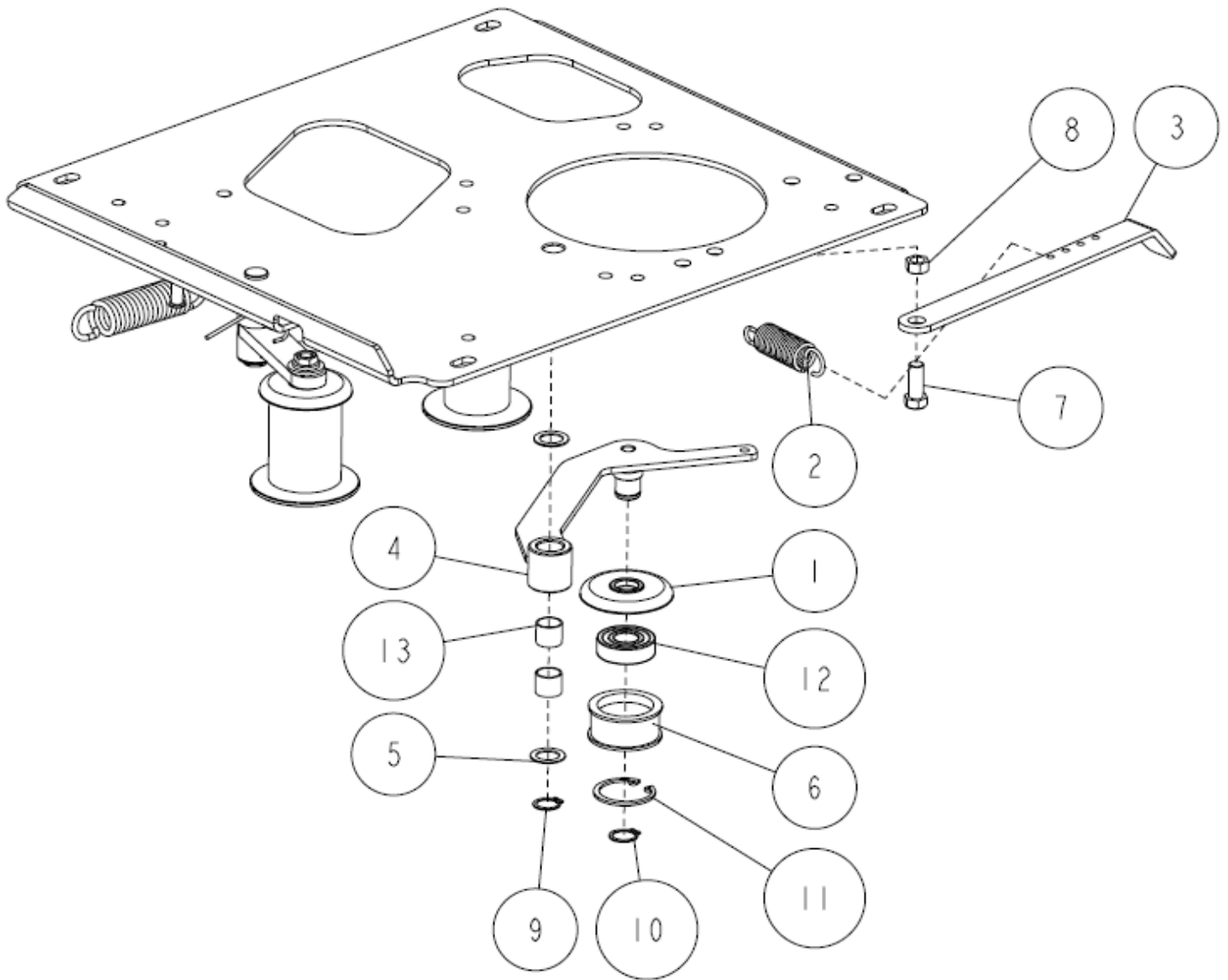


Ref.	Parts Number	Parts Name	Quantity	Remarks
1	0244-40400	Muffler	1	
2	0244-40500	Exhaust Adapter B	1	
3	0244-40800	Muffler Cover	1	
4	0244-43100	Exhaust Cover B	1	
5	89-1132-060122	Hexagonal Bolt (SW) M6*12	5	
6	89-1233-080202	Mini Hexagonal Bolt (PWSW) M8*20	2	
7	89-1711-060002	Flat Washer 6	5	

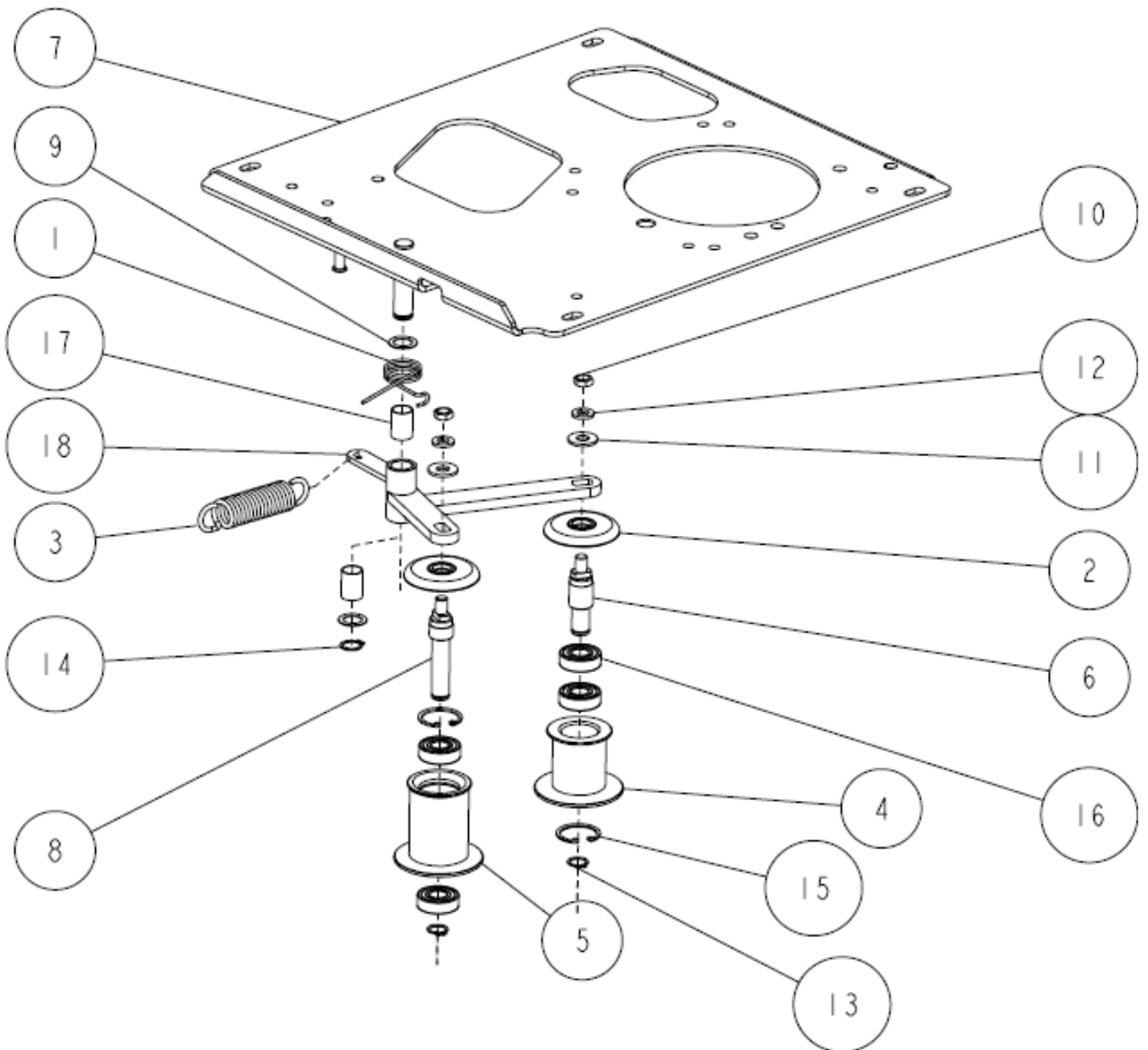
B&Sエンジン



Ref.	Parts Number	Parts Name	Quantity	Remarks
1	80-1487-516-00	Washer 11*40*6	1	
2	0227-40500	Engine Pulley	1	
3	0227-40700	Belt Holder CMP	1	
4	0244-41100	Engine Collar	1	
5	83-1482-115-00	Hexagonal Bolt(8T) UNF7/16-20*45	1	
6	83-1493-300-00	Spring Washer 7/16	1	
7	-	Engine BRIGGS 386777-0133-B1	1	
8	89-1211-100352	Mini Hexagonal Bolt M10*35	1	
9	89-1232-100202	Mini Hexagonal Bolt (SW) M10*20	2	
10	89-1253-080402	Flange Mini Hexagonal Bolt (8T) M8*40	4	
11	89-1543-080002	Mini Hexagonal Nut (SW) M8	4	
12	89-1611-100042	Mini Hexagonal Nut M10	1	
13	89-1713-100002	Flat Washer 10 (large)	2	
14	89-1812-080002	Toothed washer (inside) 8	1	
15	89-6123-003403	V Belt LB-34 (SG1000)	1	
16	89-6123-007803	V Belt LB-78 (SG1000)	1	



Ref.	Parts Number	Parts Name	Quantity	Remarks
1	80-1482-549-00	Rubber Cover 58	1	
2	80-1485-551-00	Driving Tension Spring	1	
3	0207-41100	Drive Tension Spring Arm	1	
4	0227-40600	Drive Tension Arm CMP	1	
5	83-1020-363-00	Thrust Washer 16*24*1.0	2	
6	83-1032-765-00	Tension Pulley	1	
7	89-1211-100252	Mini Hexagonal Bolt M10*25	1	
8	89-1611-100042	Mini Hexagonal Nut M10	1	
9	89-2511-000160	Snap Ring (S16)	1	
10	89-2511-000170	Snap Ring (S17)	1	
11	89-2512-000400	Snap Ring (R40)	1	
12	89-3115-062034	Bearing 6203 2RS	1	
13	89-3510-016150	DU Bush 16.15	2	



Ref.	Parts Number	Parts Name	Quantity	Remarks
1	80-1481-568-00	Knife Tension Return Spring $\phi 26.7$	1	
2	80-1482-549-00	Rubber Cover 58	2	
3	0207-78400	Spring For Knife Tension Return	1	
4	0227-40200	Knife Tension Pulley	1	
5	0227-40300	Knife Tension Pulley (A)	1	
6	0227-40400	Knife Tension Pulley Axle	1	
7	0244-20300	Engine Base CMP	1	
8	0244-42800	Tension Idler Shaft	1	
9	83-1020-363-00	Thrust Washer 16*24*1.0	2	
10	89-1613-100042	Mini Hexagonal Nut (3 sorts) M10	2	
11	89-1713-100002	Flat Washer 10 (large)	2	
12	89-1750-100002	Spring Washer 10	2	
13	89-2511-000150	Snap Ring (S15)	2	
14	89-2511-000160	Snap Ring (S16)	1	
15	89-2512-000350	Snap Ring (R35)	2	
16	89-3115-062024	Bearing 6202 2RS	4	
17	89-3510-016250	DU Bush 16.25	2	
18	0227-40100	Knife Tension Arm CMP	1	