

**OREC**

ISSUED NO. RM88EU-1

# Parts catalogue

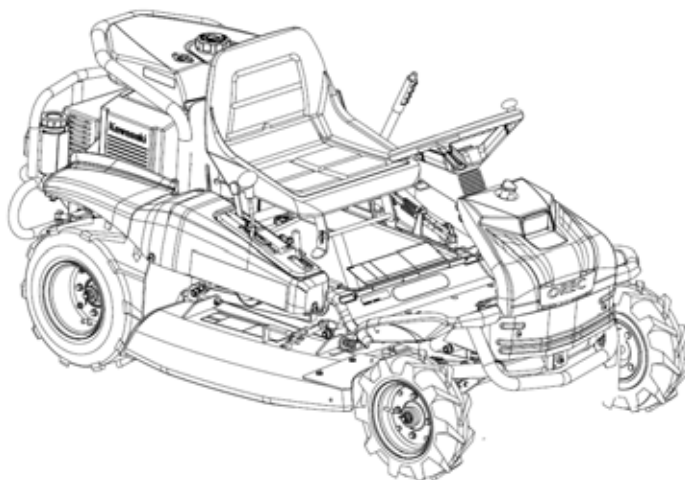
## Rabbit Mower

(EXPORT MODEL)

**RM88**

**MODEL**  
RM88EU

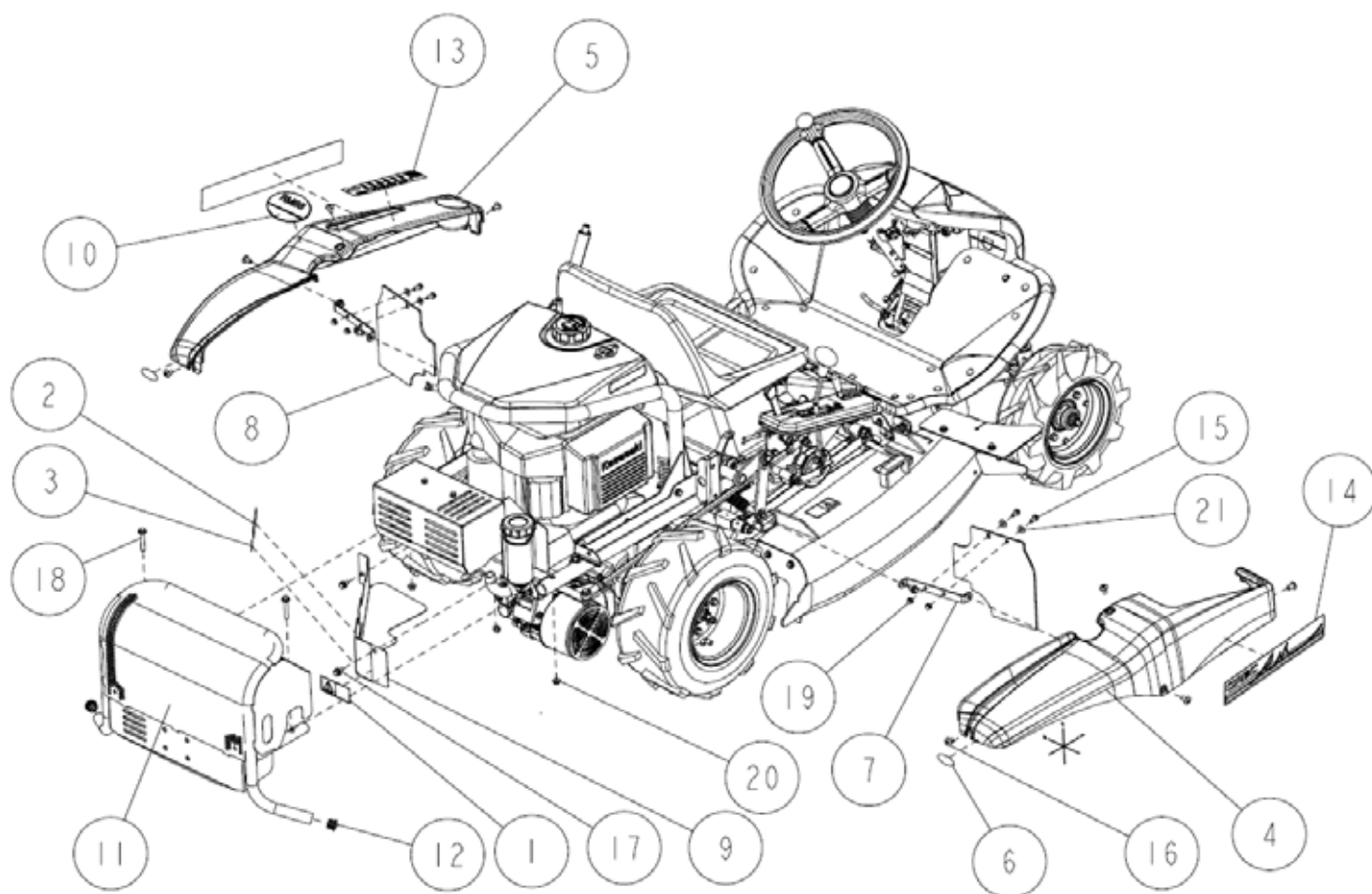
**CODE**  
0284-



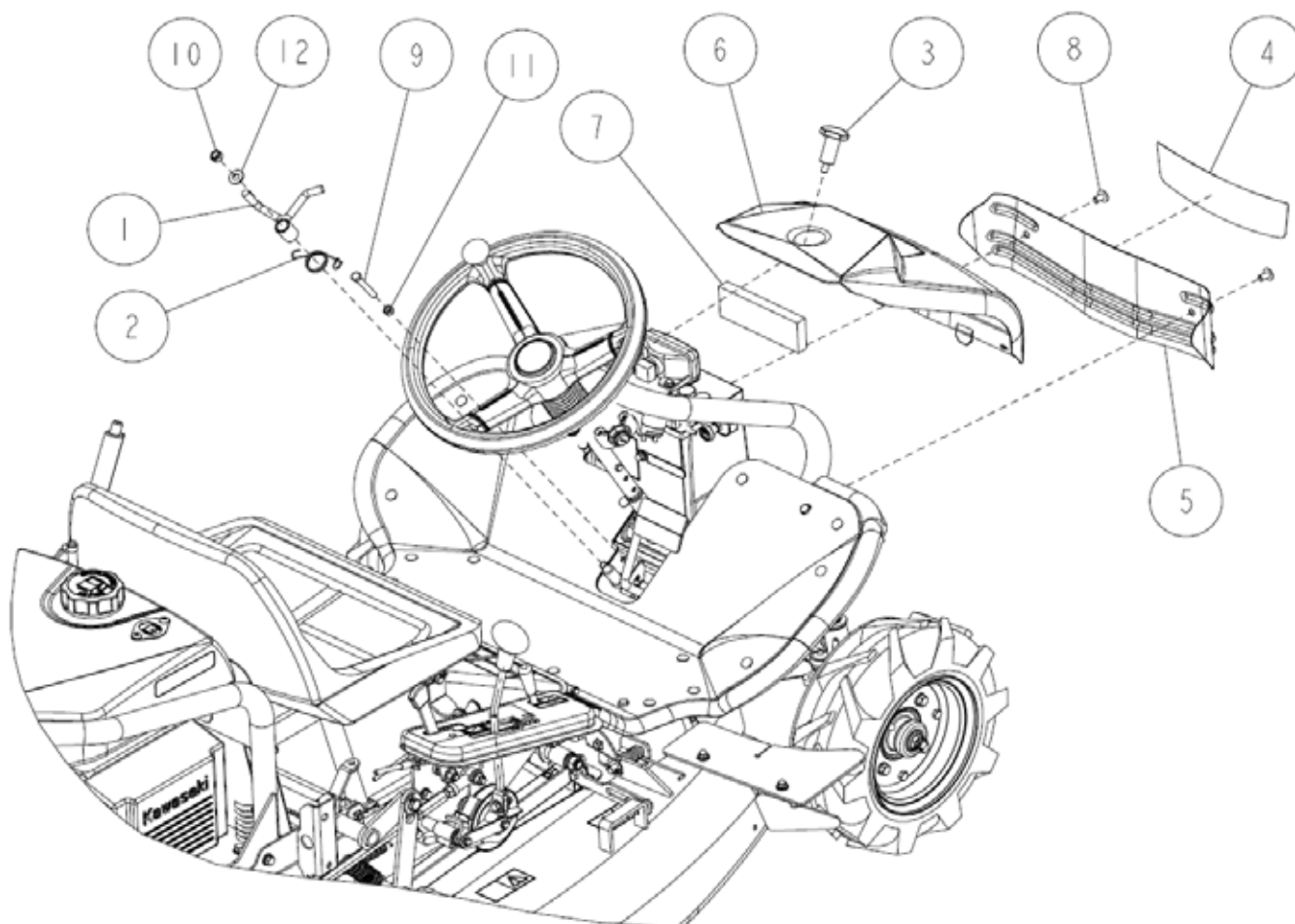
<b>CONTENTS</b>	
<b>FRAME</b>	<b>1-15</b>
<b>TRANSMISSION</b>	<b>16-24</b>
<b>HST</b>	<b>25-26</b>
<b>HANDLE</b>	<b>27-28</b>
<b>FRONT</b>	<b>29-31</b>
<b>CONTROL</b>	<b>32-33</b>
<b>CUTTING</b>	<b>34-40</b>
<b>SEAT</b>	<b>41</b>
<b>ENGINE</b>	<b>42-45</b>

**OREC CO.,LTD**

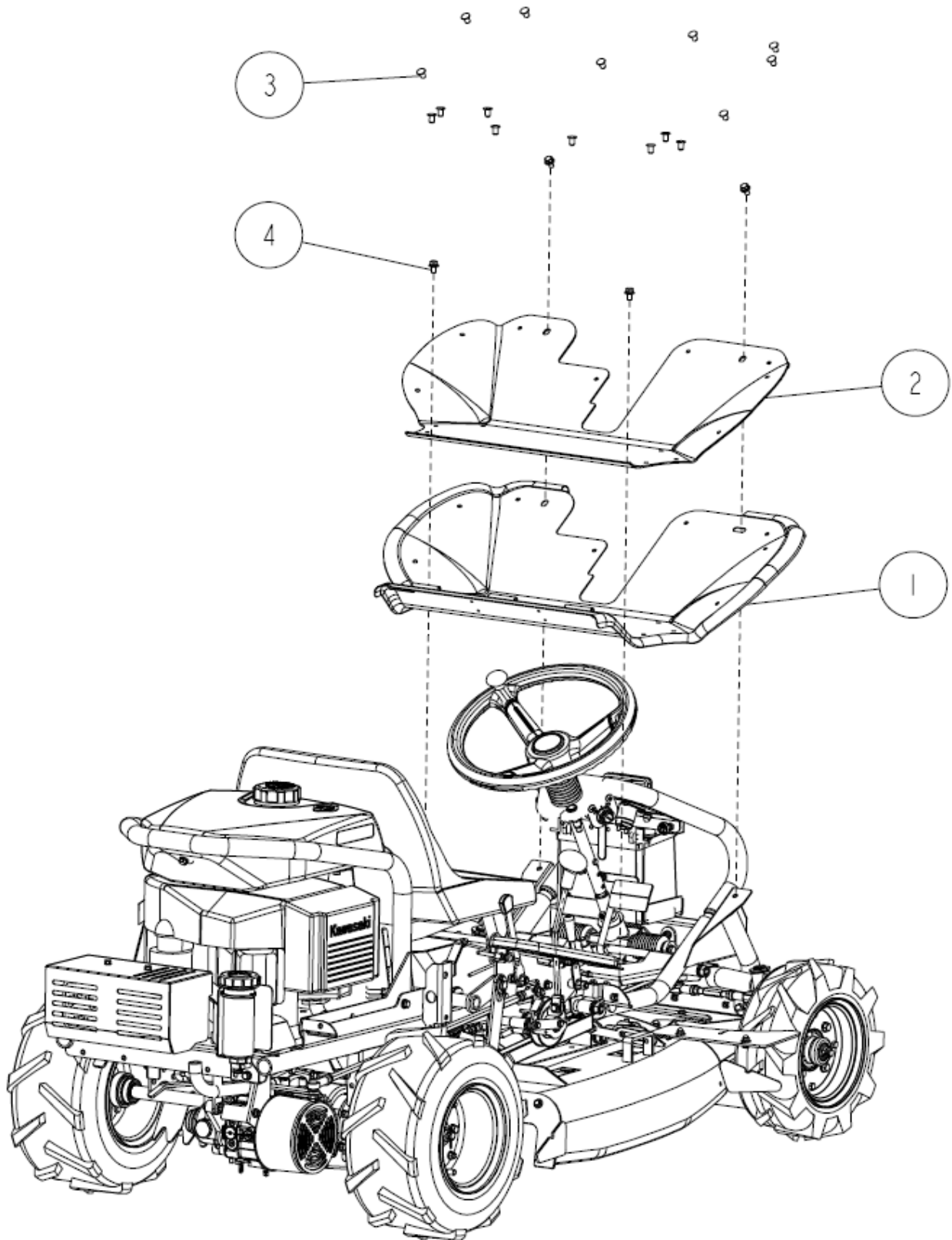
*Update : Feb 2011*



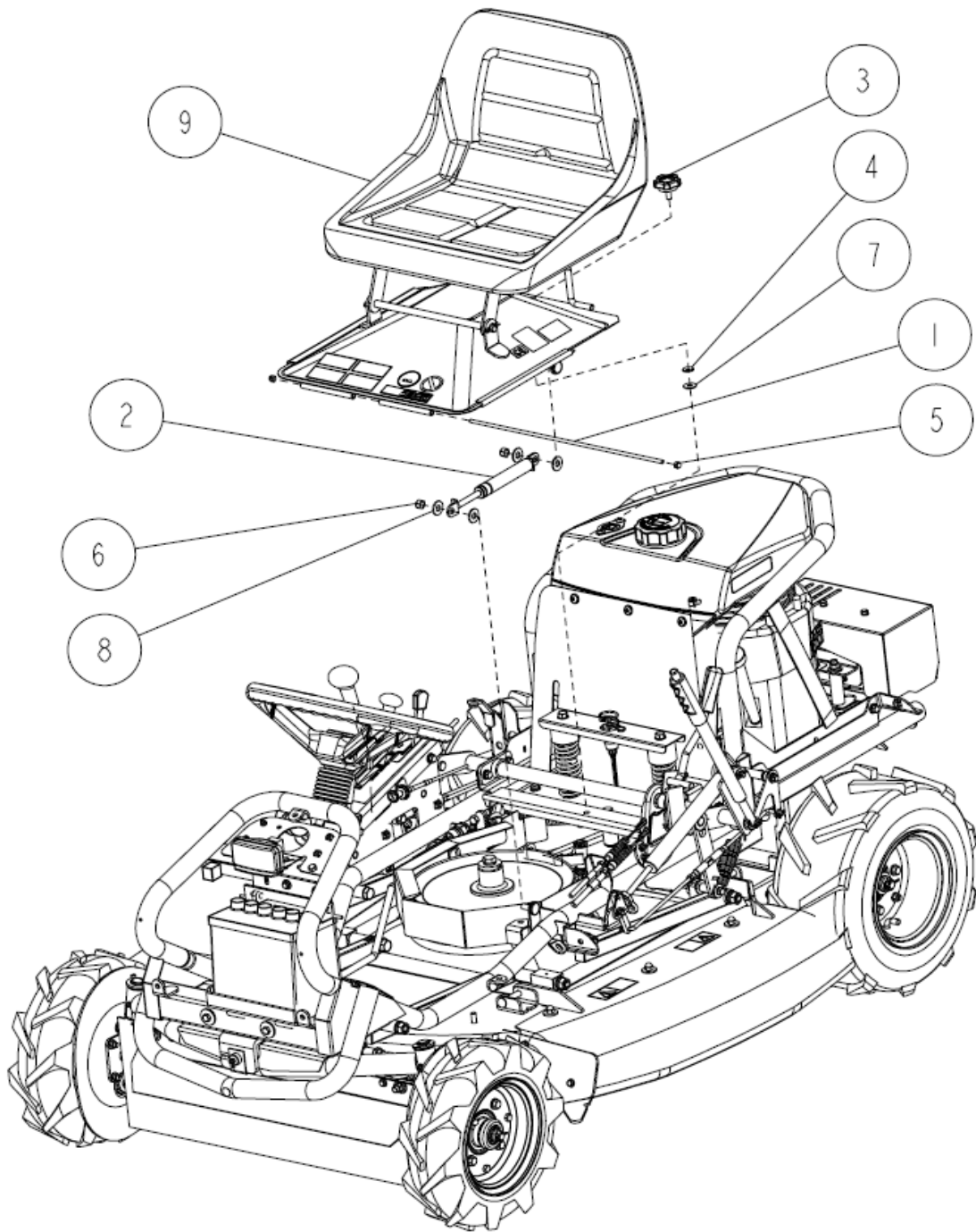
21	89-1713-060002	Flat Washer 6 (large)	4	
20	89-1631-080042	Flange Mini Hexagonal Nut M8	3	
19	89-1581-060042	Flange Cap Nut M6	4	
18	89-1251-080502	Flange Mini Hexagonal Bolt M8*50	2	
17	89-1233-080162	Mini Hexagonal Bolt (PWSW) M8*16	4	
16	89-1159-080168	Truss Mini Screw M8*16	8	
15	89-1137-060172	Hexagonal Bolt (PW) M6*17	4	
14	0292-92100	Label, Side Cover (Red)	2	
13	0284-88300	Label, Cutting Height Adjusting	1	
12	0269-71100	Pipe Cap (105-13103)	2	
11	0284-85300	Rear Bumper CMP (88)	1	
10	0284-75100	Label, Model RM88	1	
9	0284-63100	Rear Belt Cover 88	1	
8	0284-62100	Mat Guard	2	
7	0284-23100	Side Cover Stay CMP	2	
6	0244-81800	Reflection Seat	2	
5	0244-60210	Side Cover (L) Red	1	
4	0244-60110	Side Cover (R) Red	1	
3	0217-70800	Label, Gear Oil 1.0L	1	
2	0215-80400	Driving Clutch ON-OFF Label	1	
1	80-1488-928-10	Label, Caution for Belt Involving	1	
Ref.	Parts Number	Parts Name	Quantity	Remarks



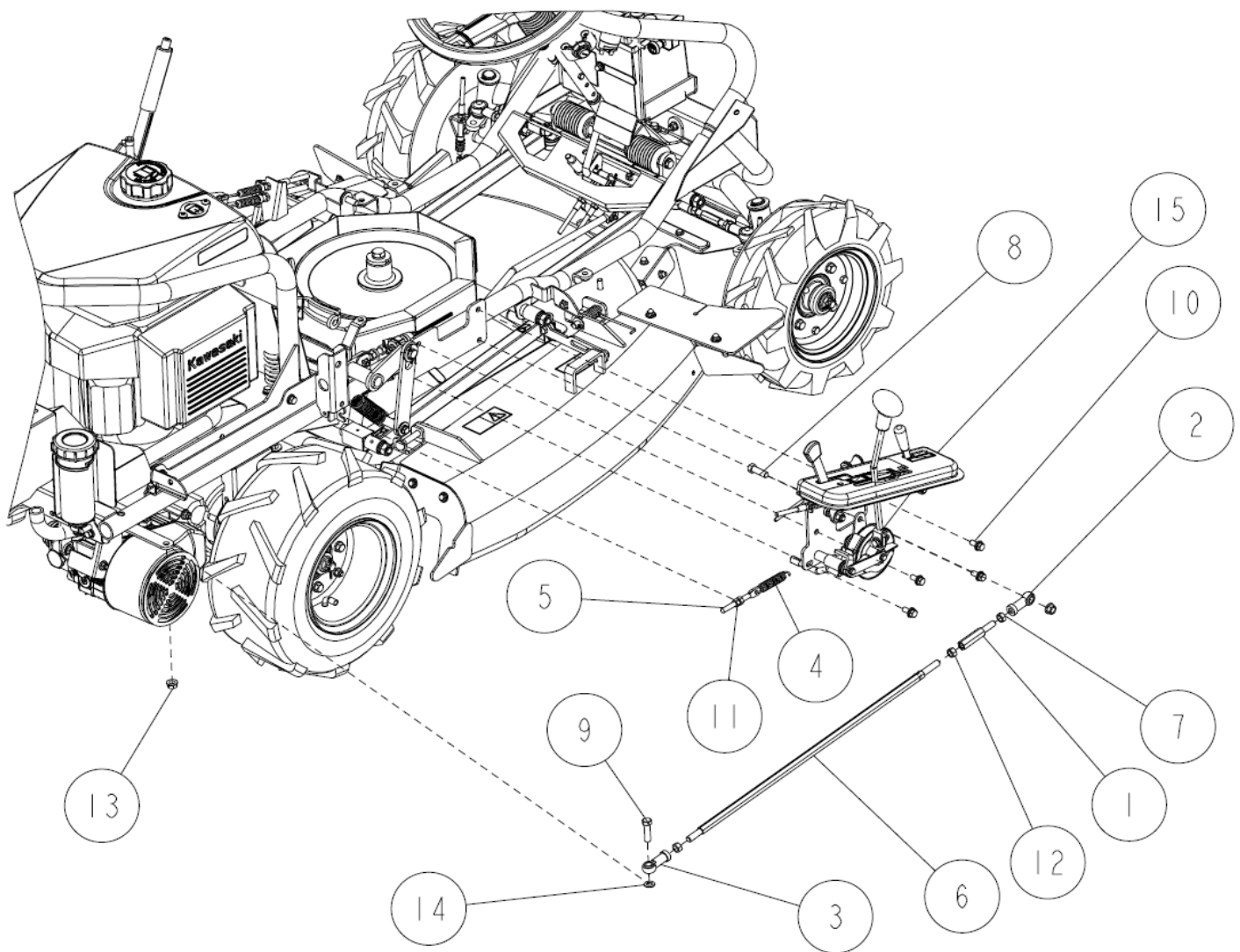
12	89-1714-100002	Flat Washer 10	1	
11	89-1611-080042	Mini Hexagonal Nut M8	1	
10	89-1561-100002	Mini Hexagonal U Nut M10	1	
9	89-1211-080552	Mini Hexagonal Bolt M8*55	1	
8	89-1159-080168	Truss Mini Screw M8*16	2	
7	0284-72300	Battery Pad (88)	1	
6	0284-61100	Front Cover (Upper)	1	
5	0284-20700	Front Cover (Lower)	1	
4	0227-71600	Label, Main (OREC)	1	
3	0207-76500	Long Knob Bolt M8*20	1	
2	80-1484-356-00	Brake Stopper Return Spring	1	
1	80-1484-355-00	Brake Stopper	1	
Ref.	Parts Number	Parts Name	Quantity	Remarks



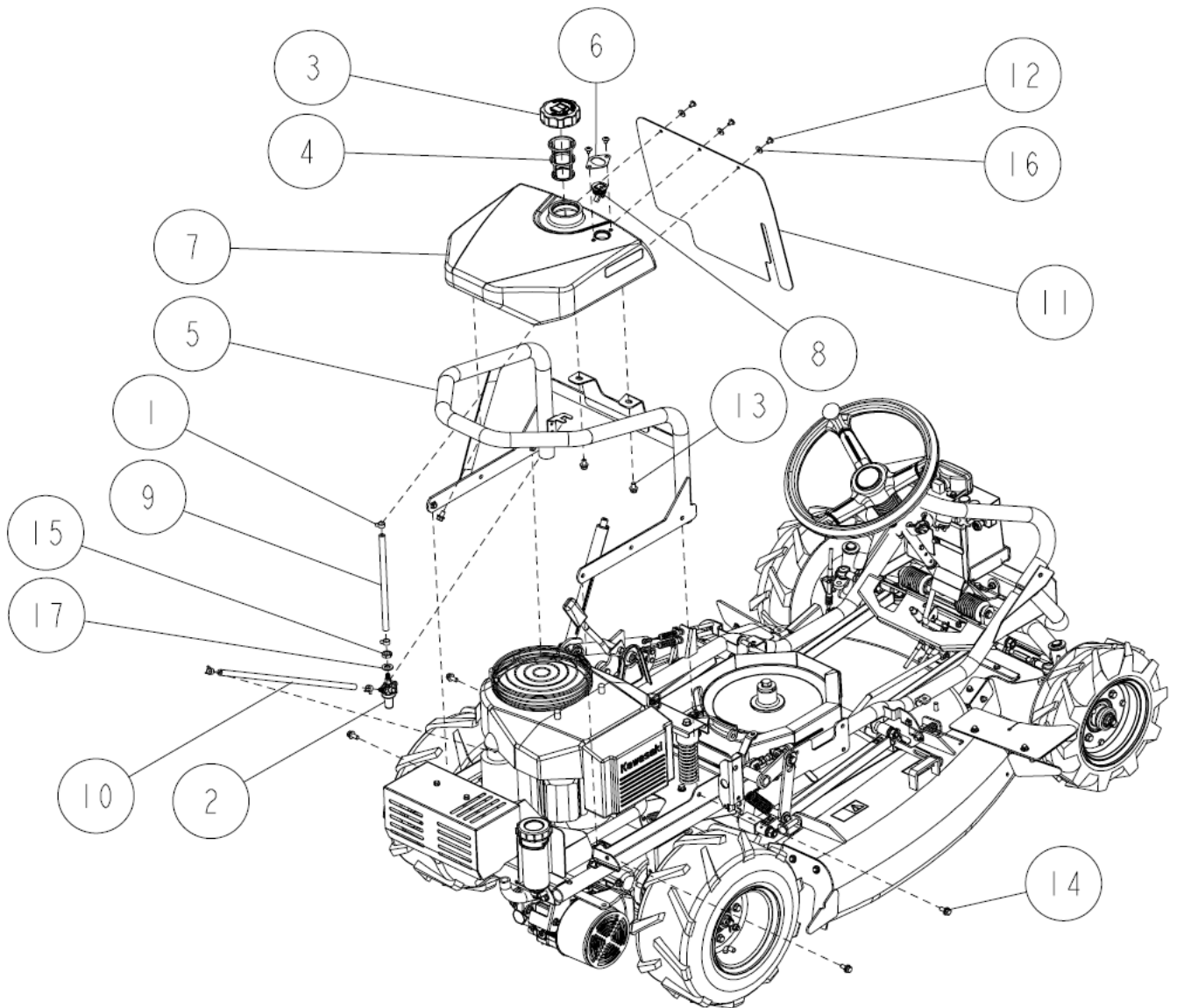
4	89-1233-080162	Mini Hexagonal Bolt (PWSW) M8*16	4	
3	83-1484-369-00	Clip (5347)	16	
2	0284-71500	Step Rubber (88)	1	
1	0284-21400	Step CMP (88)	1	
Ref.	Parts Number	Parts Name	Quantity	Remarks



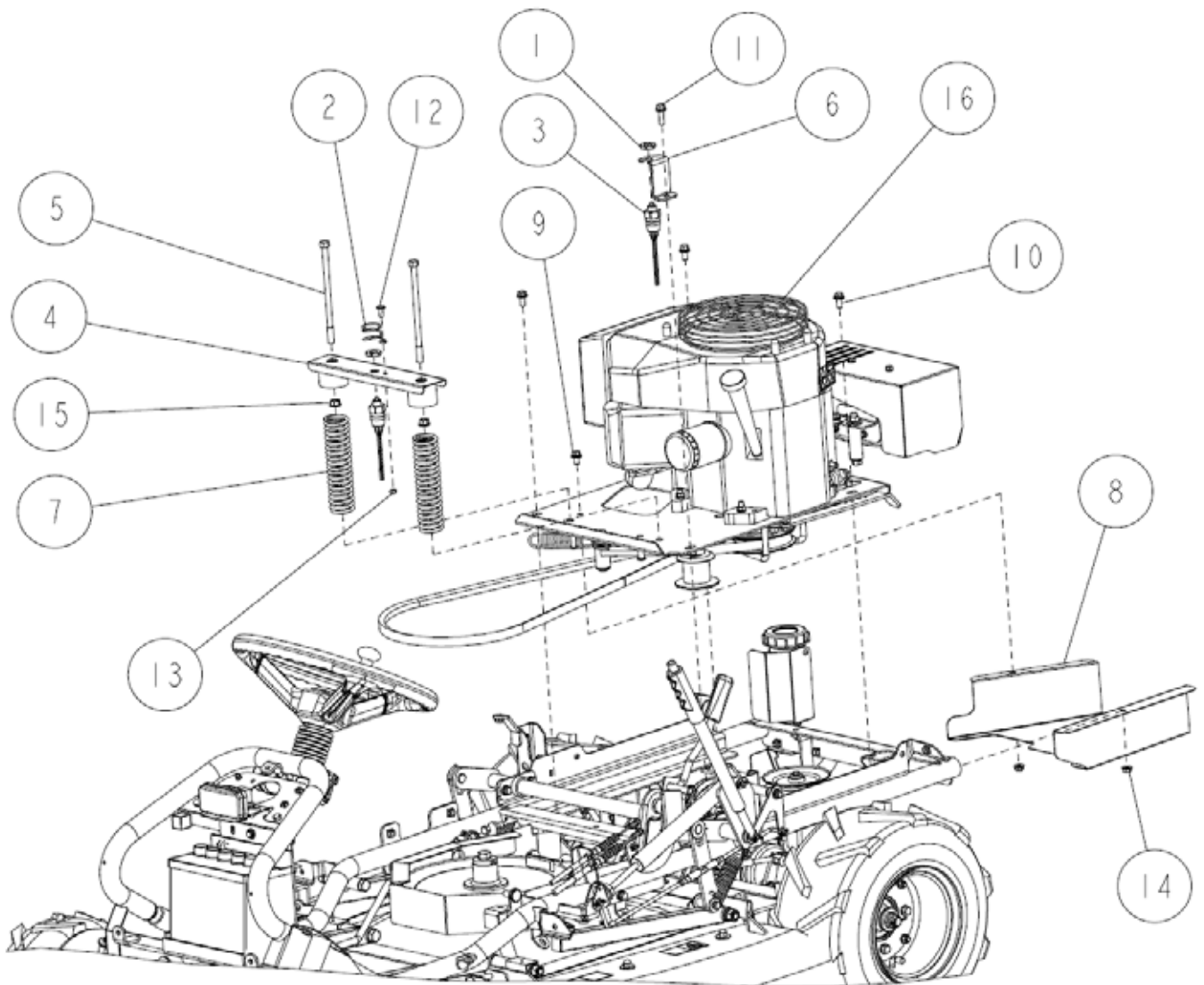
9	-	Seat Part	-	Page 41
8	89-1713-100002	Flat Washer 10 (large)	4	
7	89-1713-080002	Flat Washer 8 (large)	1	
6	89-1561-100002	Mini Hexagonal U Nut M10	2	
5	89-1553-060002	Bag Hexagonal U Nut M6	2	
4	0207-76900	Bonded Washer 8	1	
3	0207-76700	Knob Bolt (KG-B2) M8*20	1	
2	0207-72700	Gas Spring KMF 50-40	1	
1	0207-21200	Seat Bracket Shaft	1	
Ref.	Parts Number	Parts Name	Quantity	Remarks



15	-	Control Part	-	Page 32
14	89-1711-100002	Flat Washer 10*18*1.6	1	
13	89-1631-100042	Flange Mini Hexagonal Nut M10	2	
12	89-1611-100042	Mini Hexagonal Nut M10	2	
11	89-1611-080042	Mini Hexagonal Nut M8	2	
10	89-1233-080202	Mini Hexagonal Bolt (PWSW) M8*20	4	
9	89-1213-100352	Mini Hexagonal Bolt (8T) M10*35	1	
8	89-1213-100302	Mini Hexagonal Bolt (8T) M10*30	1	
7	83-1488-195-02	Mini Hexagonal Nut M10 (L)	1	
6	0215-10110	Shift Rod	1	
5	0207-72300	Change Brake Adjuster	1	
4	80-1425-551-00	Differential Lock Spring	1	
3	80-1487-964-10	Rod End PHS10EC	1	
2	80-1487-962-10	Rod End PHS10ECL	1	
1	80-1485-265-00	Shift Rod Adjuster	1	
Ref.	Parts Number	Parts Name	Quantity	Remarks

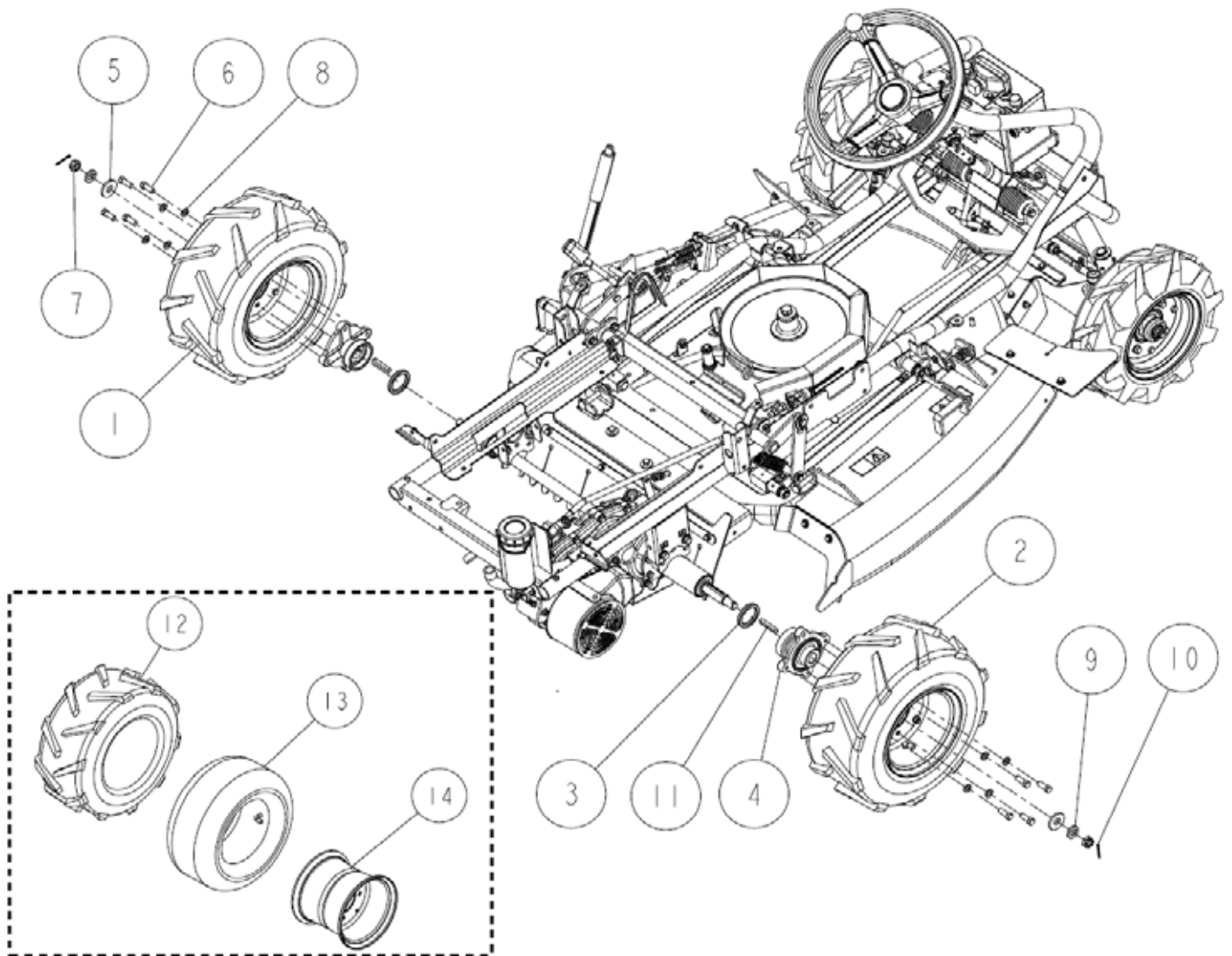


17	89-1714-120002	Flat Washer 12	1	
16	89-1713-060002	Flat Washer 6 (large)	3	
15	89-1514-120042	Hexagonal Nut (3 sorts) M12 (slender)	1	
14	89-1233-080202	Mini Hexagonal Bolt (PWSW) M8*20	4	
13	89-1233-080162	Mini Hexagonal Bolt (PWSW) M8*16	3	
12	89-1159-060108	Truss Mini Screw M6*10	5	
11	0284-72100	Wind Shield (RM88)	1	
10	0284-70500	Fuel Hose (Engine)	1	
9	0284-70400	Fuel Hose (Tank)	1	
8	0284-70200	Fuel Gauge Assy	1	
7	0284-70100	Fuel Tank Assy	1	Including 3. 4. 6. 8
6	0284-60400	Fuel Gauge Cover	1	
5	0284-60100	Fuel Tank Holder CMP (RM88)	1	
4	0244-76900	Filter	1	
3	0244-76600	Tank Cap Assy	1	
2	0207-82800	Fuel Cock	1	
1	80-1483-988-00	Hose Clip 17	4	
Ref.	Parts Number	Parts Name	Quantity	Remarks

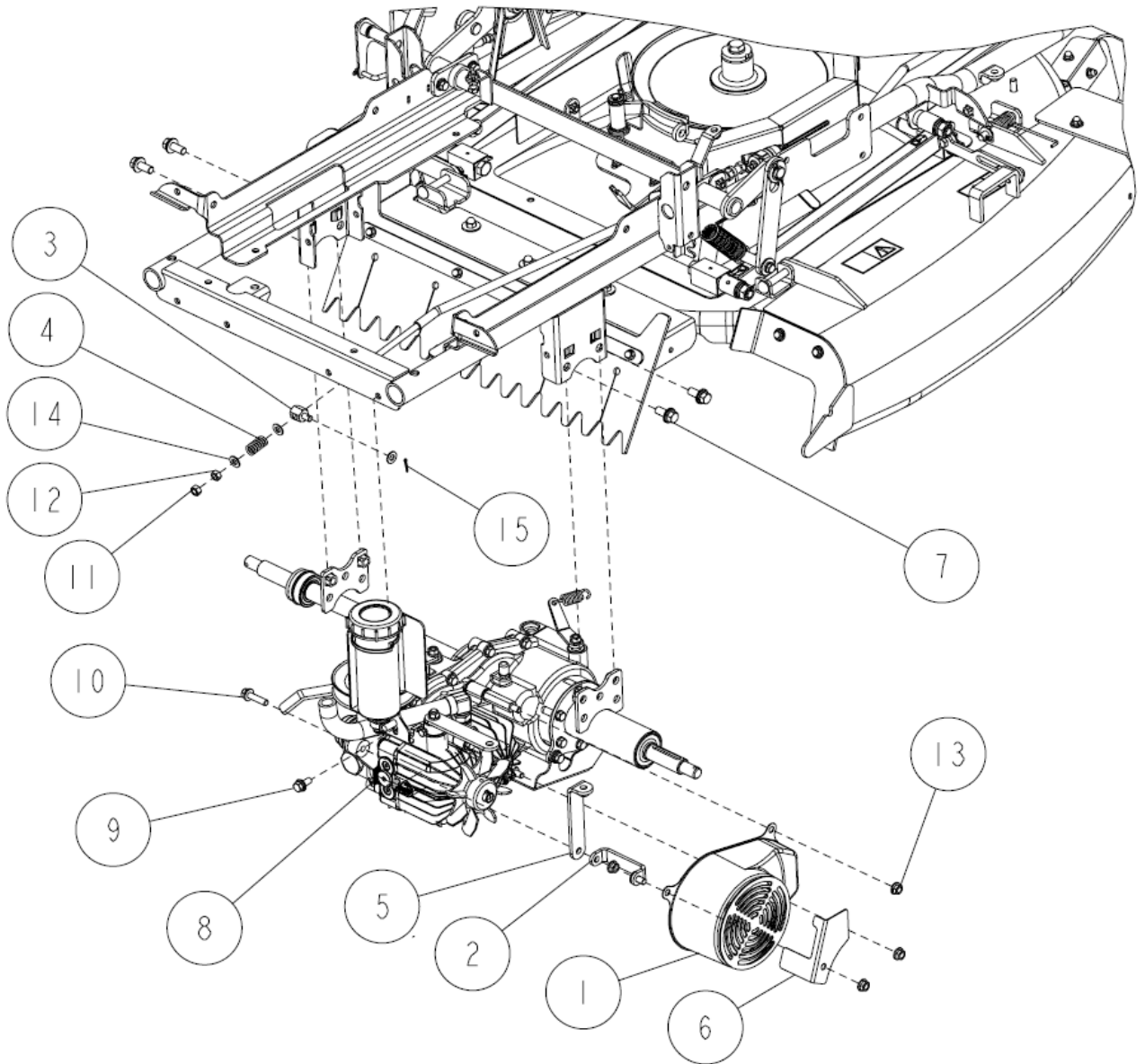


16	-	Engine Part	-	Page 42
15	89-1631-100042	Flange Mini Hexagonal Nut M10	2	
14	89-1631-080042	Flange Mini Hexagonal Nut M8	2	
13	89-1511-060042	Hexagonal Nut M6	1	
12	89-1390-060162	Welded Bolt M6*16	1	
11	89-1239-080302	Mini Hexagonal Bolt (PWSW) M8*30	1	
10	89-1233-080202	Mini Hexagonal Bolt (PWSW) M8*20	3	
9	89-1233-080162	Mini Hexagonal Bolt (PWSW) M8*16	1	
8	0284-86300	Center Belt Cover (88)	1	
7	0284-21300	Seat Spring	2	
6	0284-20500	Safety Switch Stay	1	
5	0215-82500	Seat Receiving Bolt M10	2	
4	0215-81800	Seat Receiver CMP	1	
3	0207-74400	Safety Switch K17850	2	
2	0207-72900	Seat Switch Spring	1	
1	0207-72800	Switch Lock Nut	2	
Ref.	Parts Number	Parts Name	Quantity	Remarks

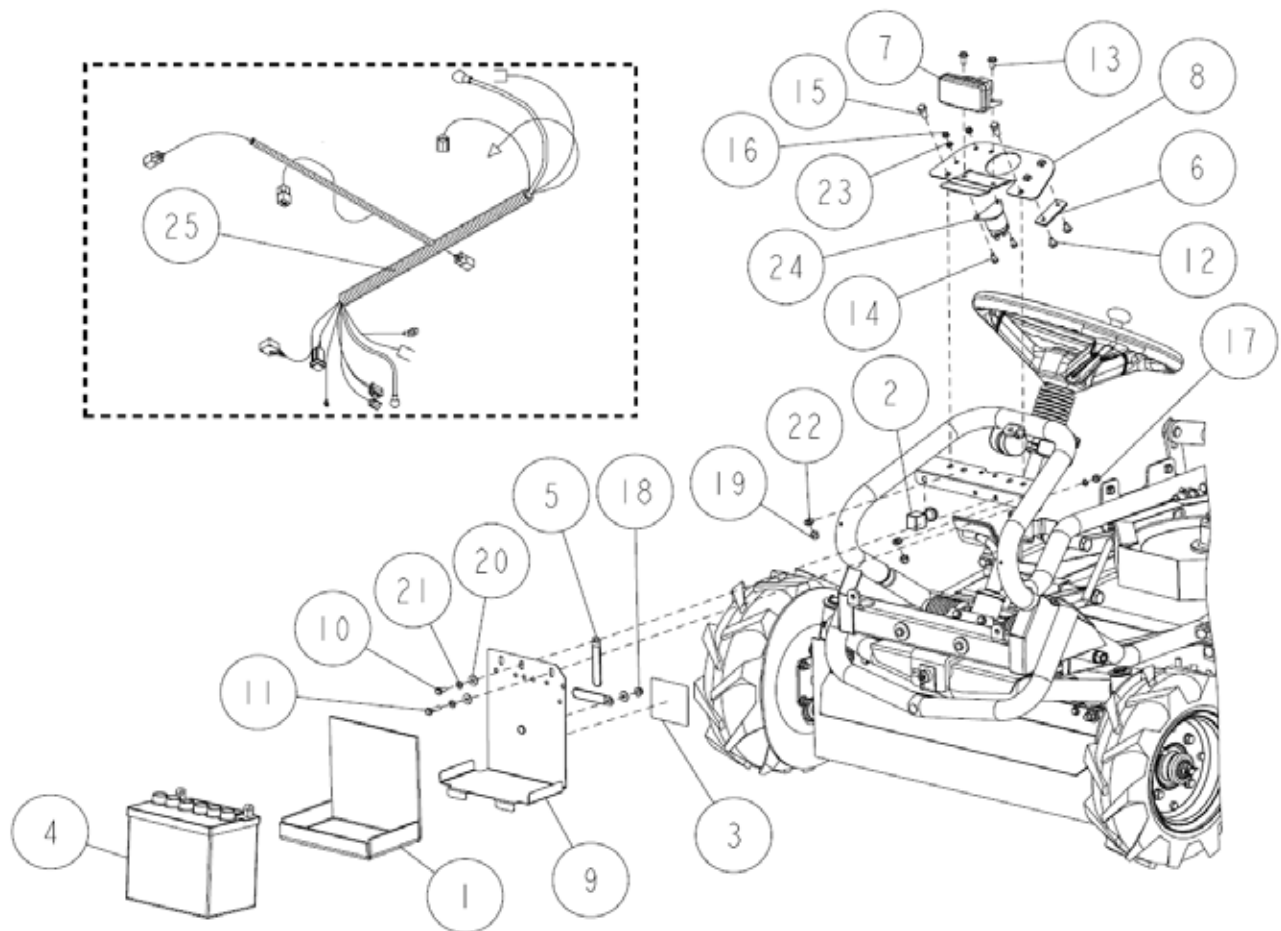




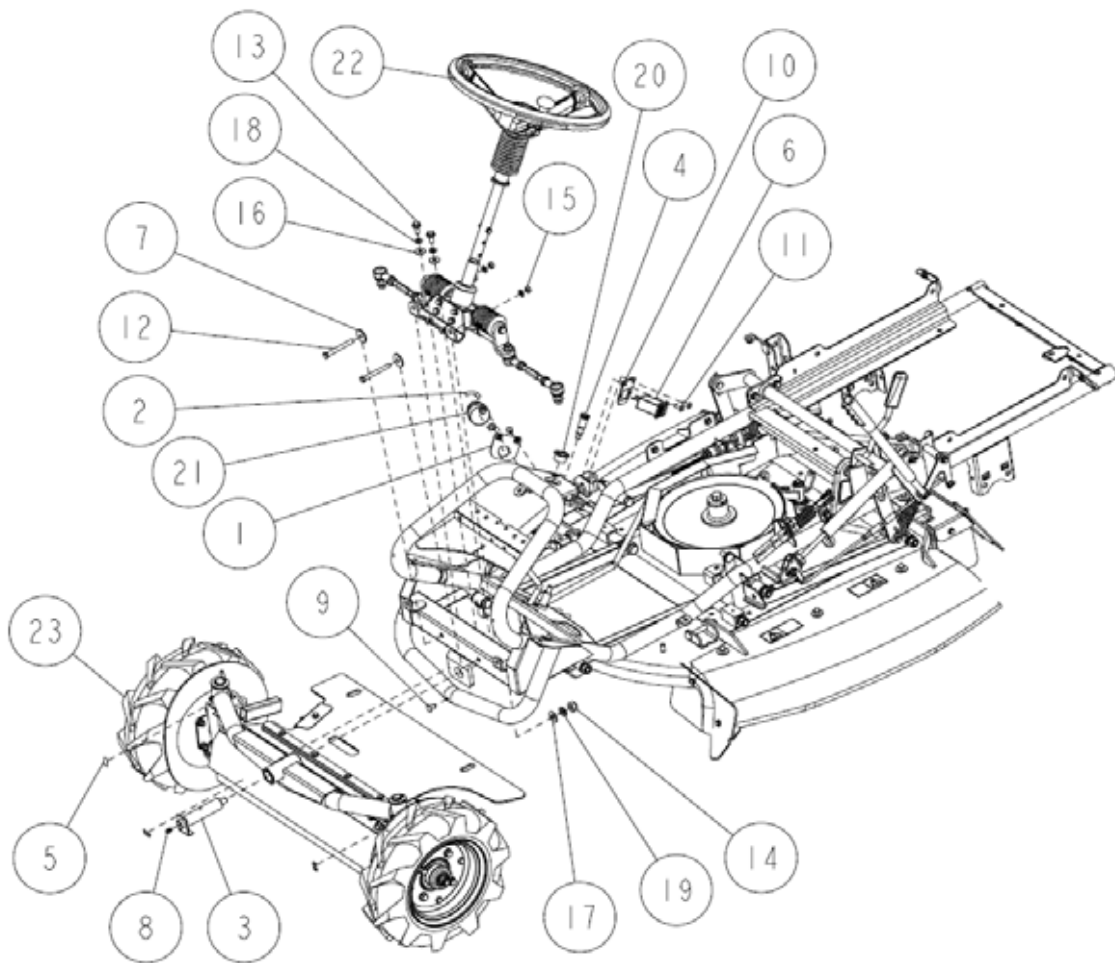
14	80-1751-407-00	Wheel Assy 16*700*8	2	
13	80-1751-404-00	Tire Tube 16*700*8	2	
12	80-1751-401-00	Tire 16*700*8	2	
11	89-2150-070500	Key 7*50 (round)	2	
10	89-2120-350352	Split Pin 3.5*35	2	
9	89-1750-160002	Spring Washer 16	2	
8	89-1750-100002	Spring Washer 10	8	
7	89-1658-160042	Low Fluted Nut (2 sorts) M16	2	
6	89-1213-100252	Mini Hexagonal Bolt (8T) M10*25	8	
5	83-1630-335-00	Washer 16*40*4.5	2	
4	0215-30100	Rear Wheel Boss	2	
3	0207-77800	Wheel Boss Dust Seal	2	
2	80-1751-412-00	Tire (R) Assy (16*7.00-8)	1	
1	80-1751-411-00	Tire (L) Assy (16*7.00-8)	1	
Ref.	Parts Number	Parts Name	Quantity	Remarks



15	89-2120-200152	Split Pin 2*15	1	
14	89-1711-080002	Flat Washer 8	3	
13	89-1631-080042	Flange Mini Hexagonal Nut M8	4	
12	89-1611-080042	Mini Hexagonal Nut M8	1	
11	89-1561-080002	Mini Hexagonal U Nut M8	1	
10	89-1233-080352	Mini Hexagonal Bolt (PWSW) M8*35	1	
9	89-1233-080202	Mini Hexagonal Bolt (PWSW) M8*20	1	
8	0284-09010	Transmission Assy	1	
7	0244-83200	Mini Hexagonal Bolt (PWSW) M10*25 (7	4	
6	0217-66300	Rear Belt Cover (R) AK85, RM95.RM86E	1	
5	0215-05100	Transmission Hunger Stay CMP	1	
4	0207-75400	Brake Spring 30	1	
3	0207-10300	Brake Joint	1	
2	0207-07400	Fan Cover Setting CMP	1	
1	0207-07200	Fan Cover CMP	1	
Ref.	Parts Number	Parts Name	Quantity	Remarks

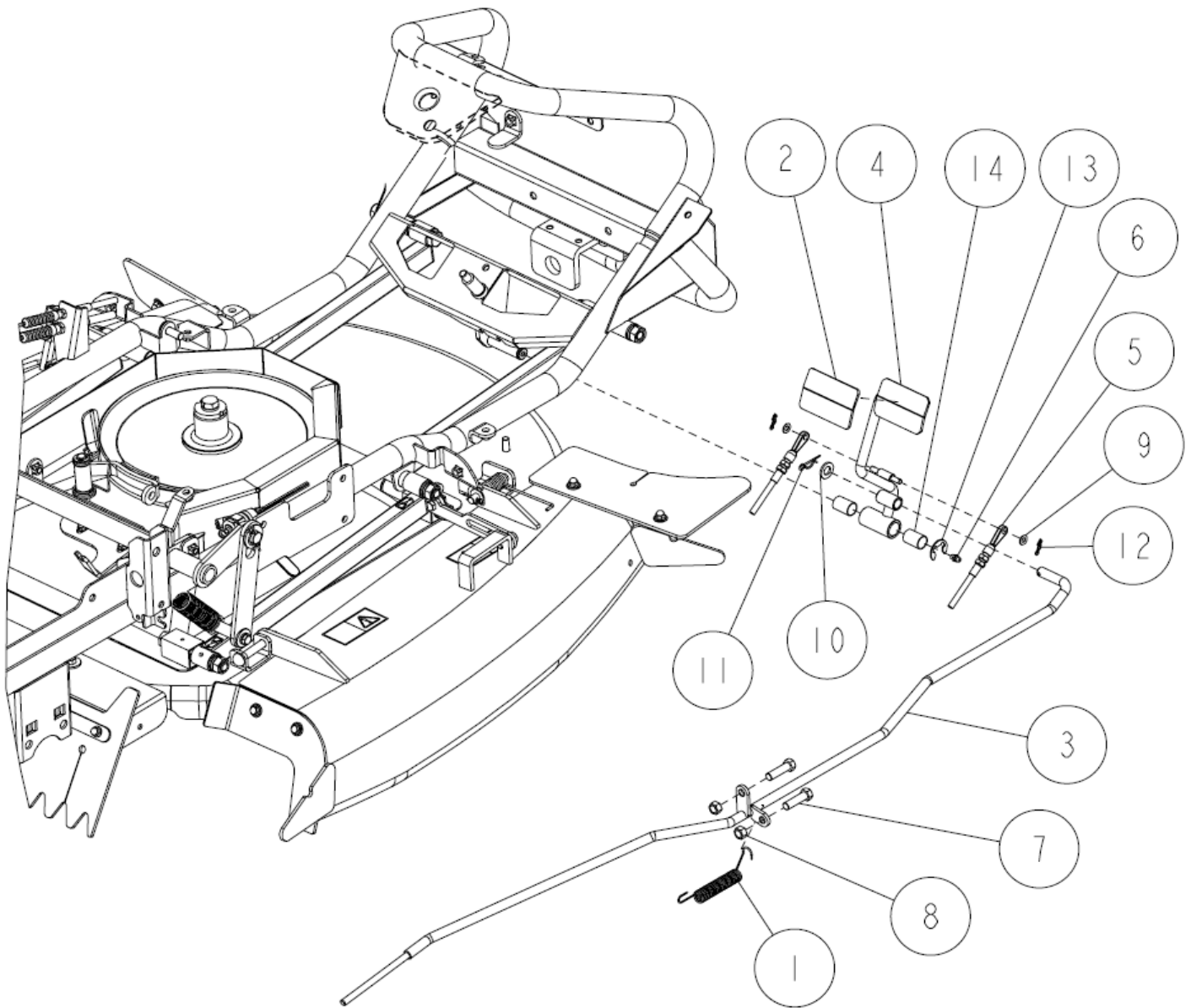


25	0284-70300	Wire Harness Assy (88/K)	1	
24	Engine Parts	Magnet Switch(K)	1	
23	89-1812-060002	Toothed washer (inside) 6	2	
22	89-1750-080002	Spring Washer 8	2	
21	89-1750-060002	Spring Washer 6	2	
20	89-1713-060002	Flat Washer 6 (large)	3	
19	89-1671-080042	Mini Cap Nut M8	2	
18	89-1581-060042	Flange Cap Nut M6	1	
17	89-1541-060002	Hexagonal Nut (SW) M6	1	
16	89-1541-050002	Hexagonal Nut (SW) M5	2	
15	89-1211-080162	Mini Hexagonal Bolt M8*16	2	
14	89-1155-050142	Cross recess Headed Screw (PW) M5*14	2	
13	89-1137-060152	Hexagonal Bolt (PW) M6*15	2	
12	89-1137-060122	Hexagonal Bolt (PW) M6*12	2	
11	89-1111-060252	Hexagonal Bolt M6*25	1	
10	89-1111-060142	Hexagonal Bolt M6*14	1	
9	0284-22100	Battery Carrier	1	
8	0284-20600	Head Lamp Stay CMP	1	
7	0244-72900	Head Lamp	1	
6	0207-79200	Fuse Box Bracket	1	
5	80-1792-988-00	Harness Clip 8	2	
4	80-1792-976-00	Battery (32A-19L)	1	
3	80-1488-921-00	Label Pedal Stopper (13113)	1	
2	80-1484-337-00	Lighting Switch (B15930)	1	
1	80-1482-971-00	Cushion Rubber (Battery)	1	
Ref.	Parts Number	Parts Name	Quantity	Remarks

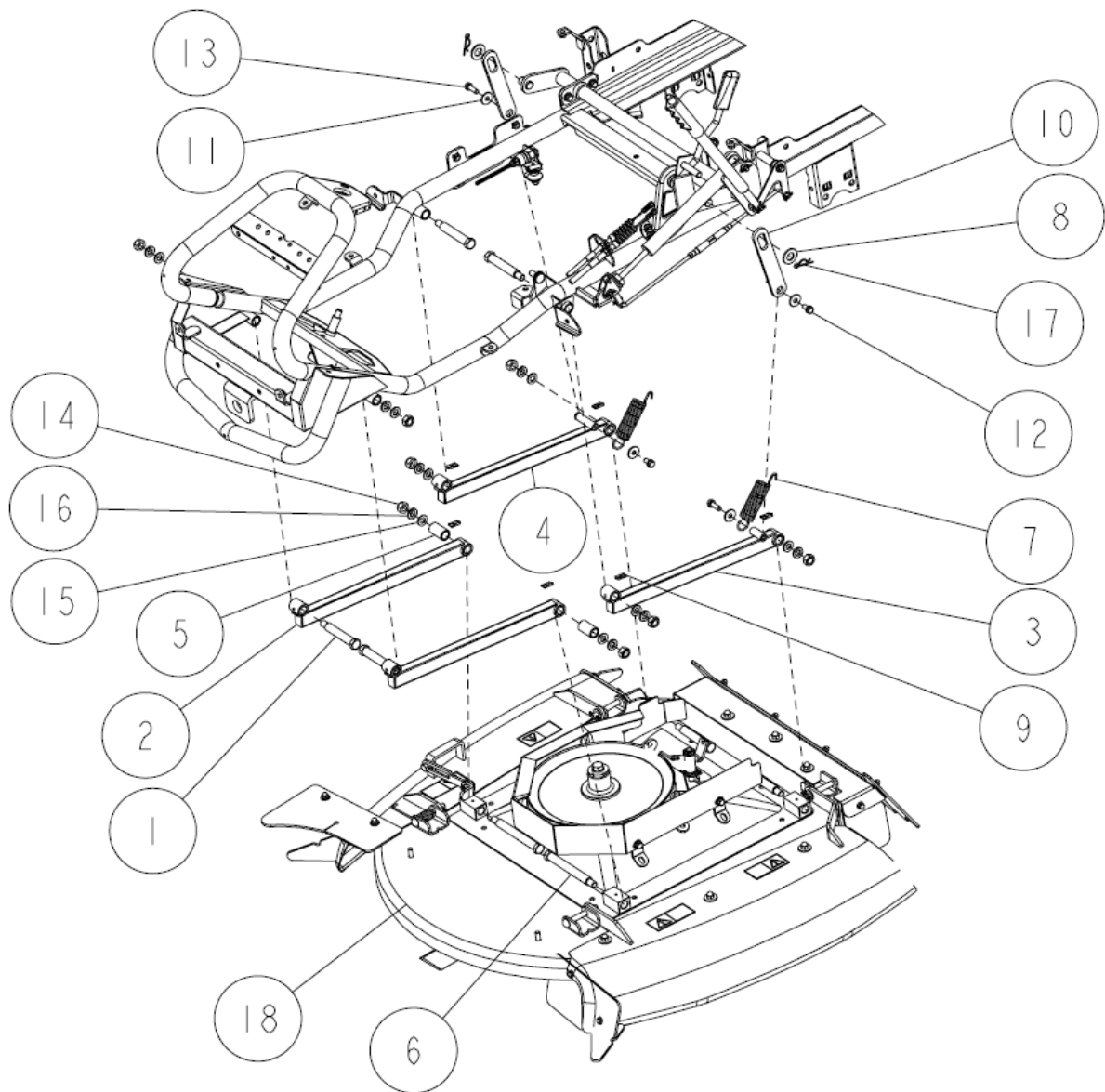


23	-	Front Part	-	Page 29
22	-	Handle Part	-	Page 27
21	Engine Parts	Key Switch Assy (K)	1	
20	89-3511-022150	DU Bush 22.15.33F	1	
19	89-1750-120002	Spring Washer 12	1	
18	89-1750-080002	Spring Washer 8	4	
17	89-1713-120002	Flat Washer 12 (large)	1	
16	89-1713-080002	Flat Washer 8 (large)	2	
15	89-1611-080042	Mini Hexagonal Nut M8	2	
14	89-1551-120002	Hexagonal U Nut M12	1	
13	89-1253-080202	Flange Mini Hexagonal Bolt (8T) M8*20	2	
12	89-1211-080702	Mini Hexagonal Bolt M8*70	2	
11	89-1159-060168	Truss Mini Screw M6*16	4	
10	85-1484-943-10	Hour Meter Bracket	1	
9	83-1484-369-00	Clip (5347)	1	
8	83-1415-975-00	Grease Nipple M6	1	
7	83-1020-312-00	Washer 8*30*3.2	2	
6	0244-73600	Hour Meter	1	
5	0215-81500	Label Grease	3	
4	0207-79300	Pilot Lamp	1	
3	0207-30700	Center Pin	1	
2	80-1488-912-00	Label, Key (13121)	1	
1	80-1482-331-00	Key Switch Bracket	1	
Ref.	Parts Number	Parts Name	Quantity	Remarks

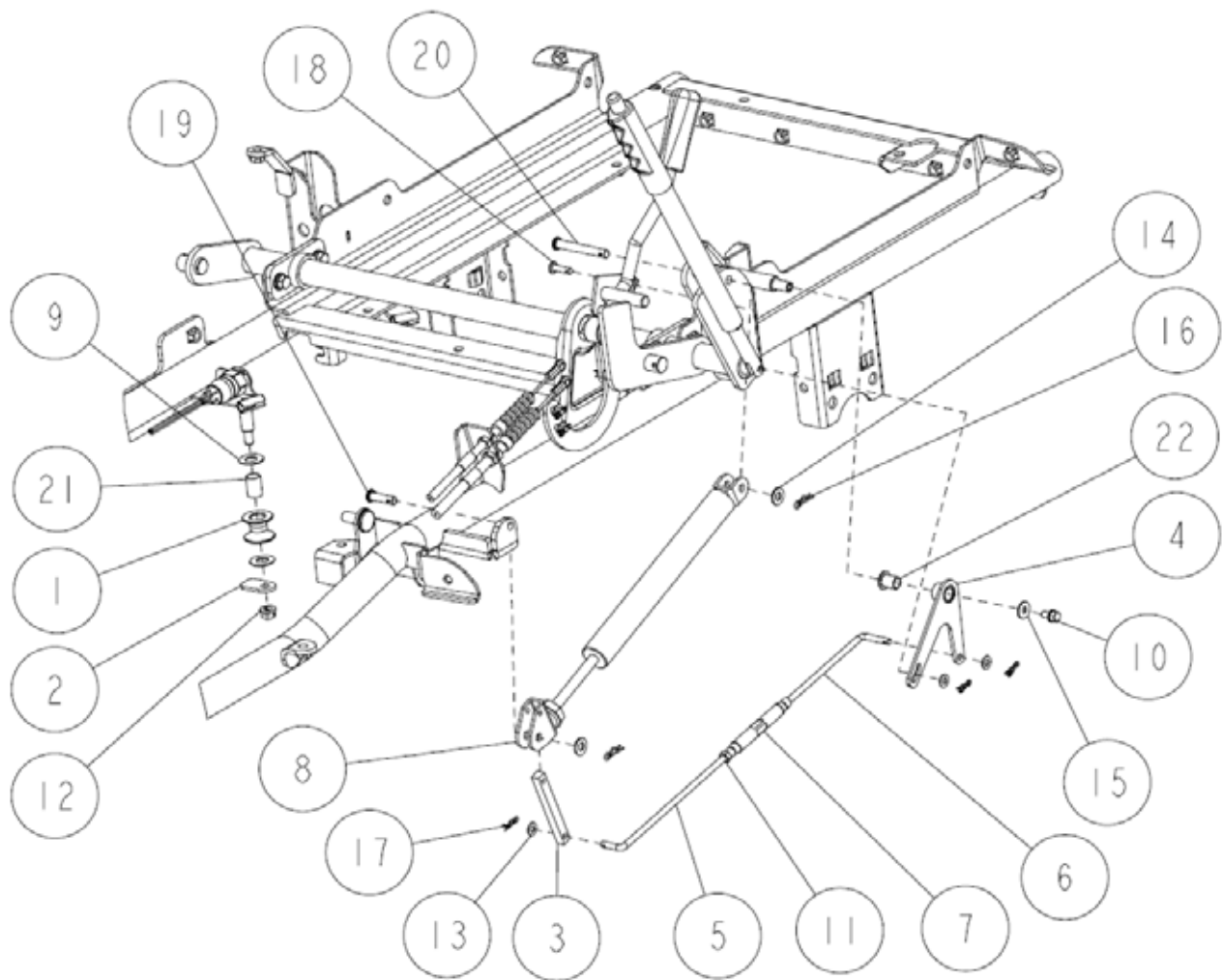
12/45 **FRAME 12/15**



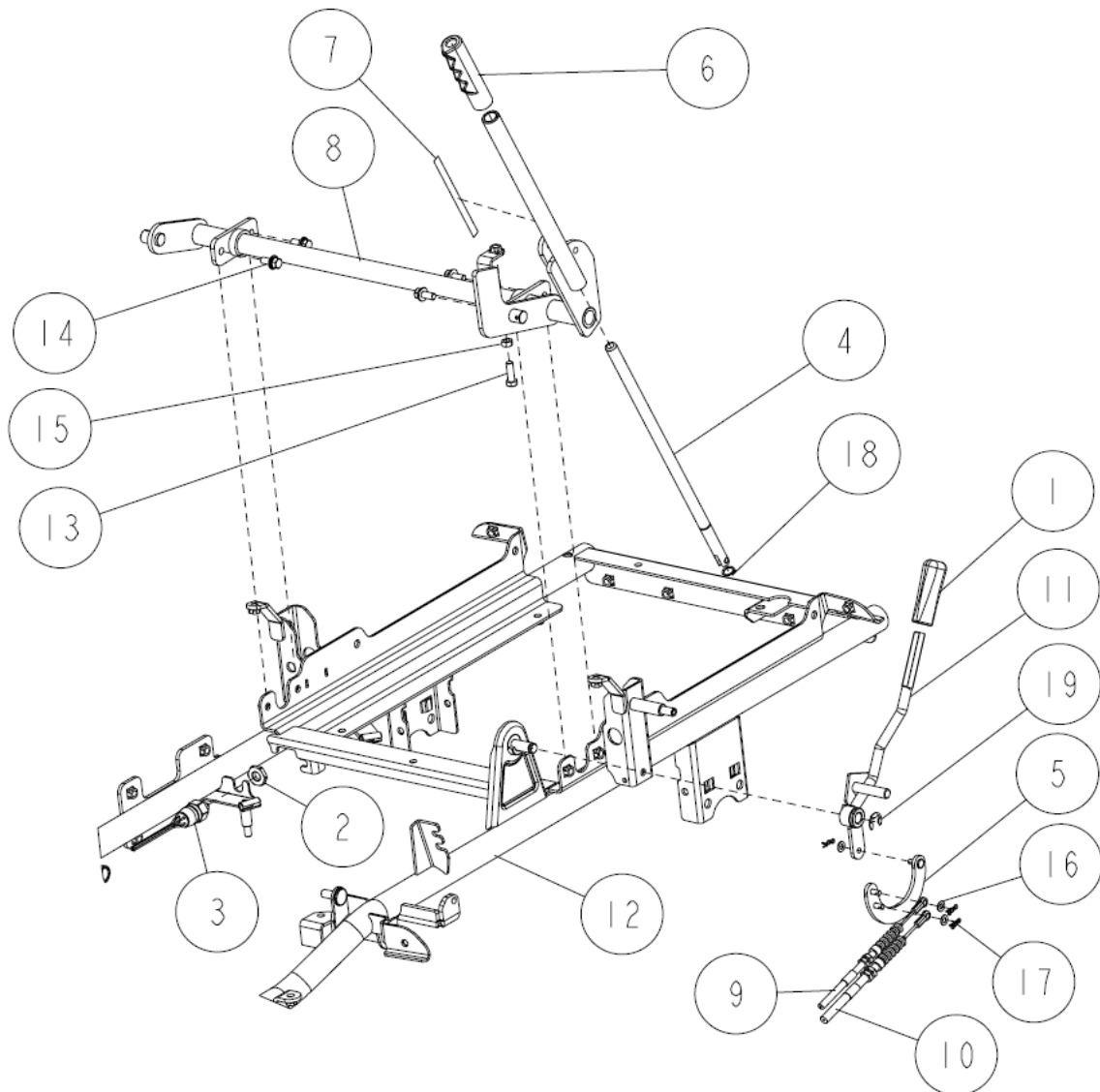
14	89-3510-016250	DU Bush 16.25	2	
13	89-2521-000150	E Type Ring 15	1	
12	89-2132-060002	Snap Pin 6 (with stopper)	2	
11	89-2131-120002	Snap Pin 12	1	
10	89-1711-120002	Flat Washer 12	1	
9	89-1711-060002	Flat Washer 6	2	
8	89-1611-100042	Mini Hexagonal Nut M10	2	
7	89-1213-100352	Mini Hexagonal Bolt (8T) M10*35	2	
6	83-1415-975-00	Grease Nipple M6	1	
5	0240-75100	Front Brake Wire	2	
4	0240-13100	Brake Pedal Arm CMP	1	
3	0215-10200	Brake Rod CMP	1	
2	80-1781-943-00	Pedal Rubber	1	
1	80-1493-354-00	Rod Return Spring	1	
Ref.	Parts Number	Parts Name	Quantity	Remarks



18	-	Cutting Part	-	Page 34
17	89-2131-160002	Snap Pin 16	2	
16	89-1750-120002	Spring Washer 12	8	
15	89-1711-120002	Flat Washer 12	8	
14	89-1551-120002	Hexagonal U Nut M12	8	
13	89-1232-080252	Mini Hexagonal Bolt (SW) M8*25	2	
12	89-1232-080162	Mini Hexagonal Bolt (SW) M8*16	2	
11	83-1751-311-00	Flat Washer 8*25*2.3	4	
10	0284-10300	Connecting Plate (88)	2	
9	0215-81900	Label, Oiling	6	
8	0207-76800	Washer 16*32*2.3	2	
7	0207-76200	Spring (Up/Down)	2	
6	0207-51600	Link Bolt	2	
5	0207-51500	Link Collar	2	
4	80-1485-707-00	Link Arm (Right-rear)	1	
3	80-1482-708-00	Link Arm (Rear)	1	
2	80-1482-707-00	Link Arm (Front)	2	
1	80-1481-709-10	Link Bolt	6	
Ref.	Parts Number	Parts Name	Quantity	Remarks

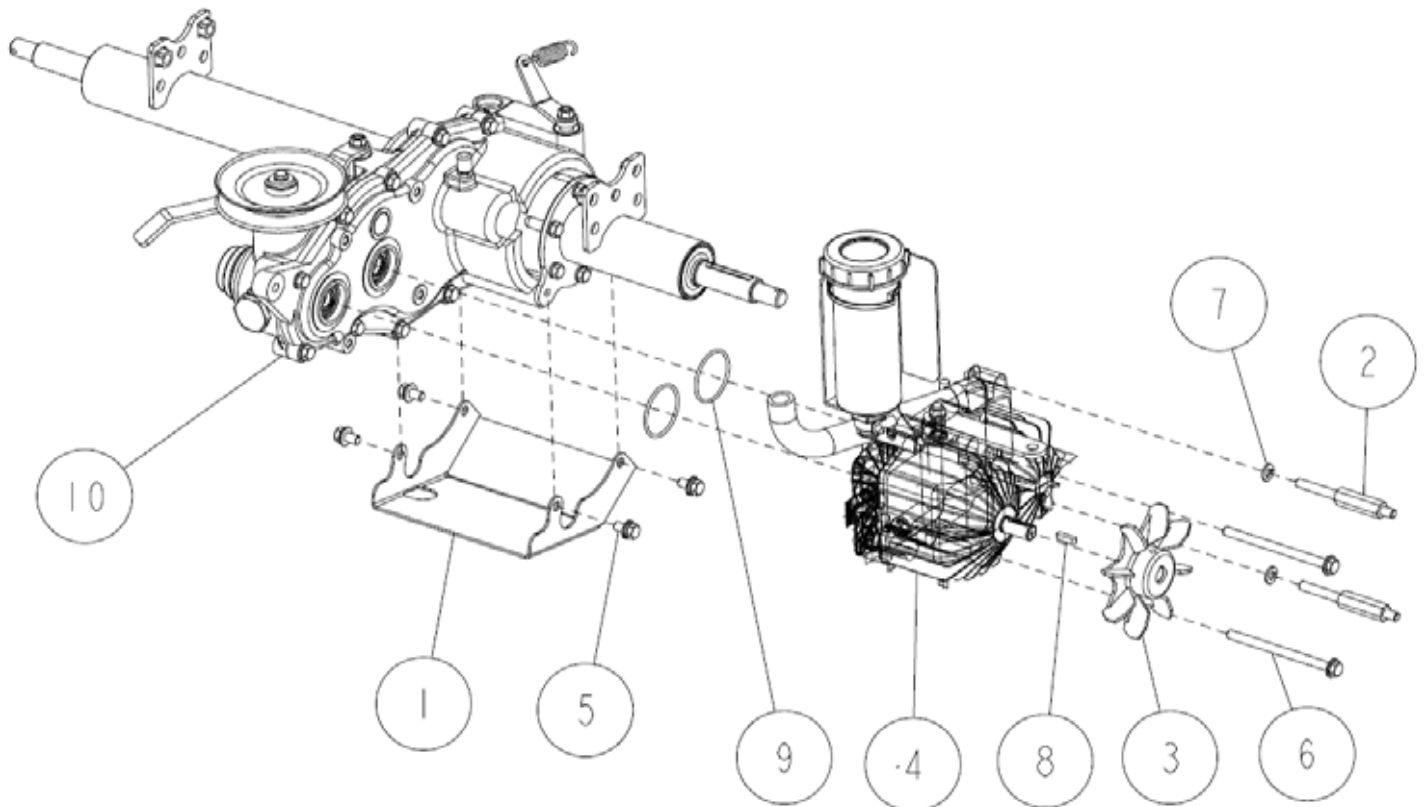


22	89-3511-010150	DU Bush 10.15.18F	1	
21	89-3510-012200	DU Bush 12.20	1	
20	89-2181-080602	Flat Head Pin 8*60	1	
19	89-2181-080282	Flat Head Pin 8*28	1	
18	89-2181-060202	Flat Head Pin 6*20	1	
17	89-2132-060002	Snap Pin 6 (with stopper)	3	
16	89-2131-080002	Snap Pin 8	2	
15	89-1713-060002	Flat Washer 6 (large)	1	
14	89-1711-080002	Flat Washer 8	2	
13	89-1711-060002	Flat Washer 6	3	
12	89-1543-080002	Mini Hexagonal Nut (SW) M8	1	
11	89-1511-060042	Hexagonal Nut M6	1	
10	89-1132-060122	Hexagonal Bolt (SW) M6*12	1	
9	83-1020-355-00	Thrust Washer 12*24*1.0	2	
8	0255-70100	Gas Spring Free Lock Type(FLC75-35)	1	
7	0244-11600	Turn Buckle (Pipe Type)	1	
6	0244-11500	Adjuster Rod (L)	1	
5	0244-11400	Adjuster Rod (R)	1	
4	0244-11300	Push Rod Receiver CMP	1	
3	0244-10500	Lock Pusher	1	
2	80-1484-364-00	Brake Rod Hung Plate	1	
1	80-1484-354-10	Brake Rod Roller	1	
Ref.	Parts Number	Parts Name	Quantity	Remarks

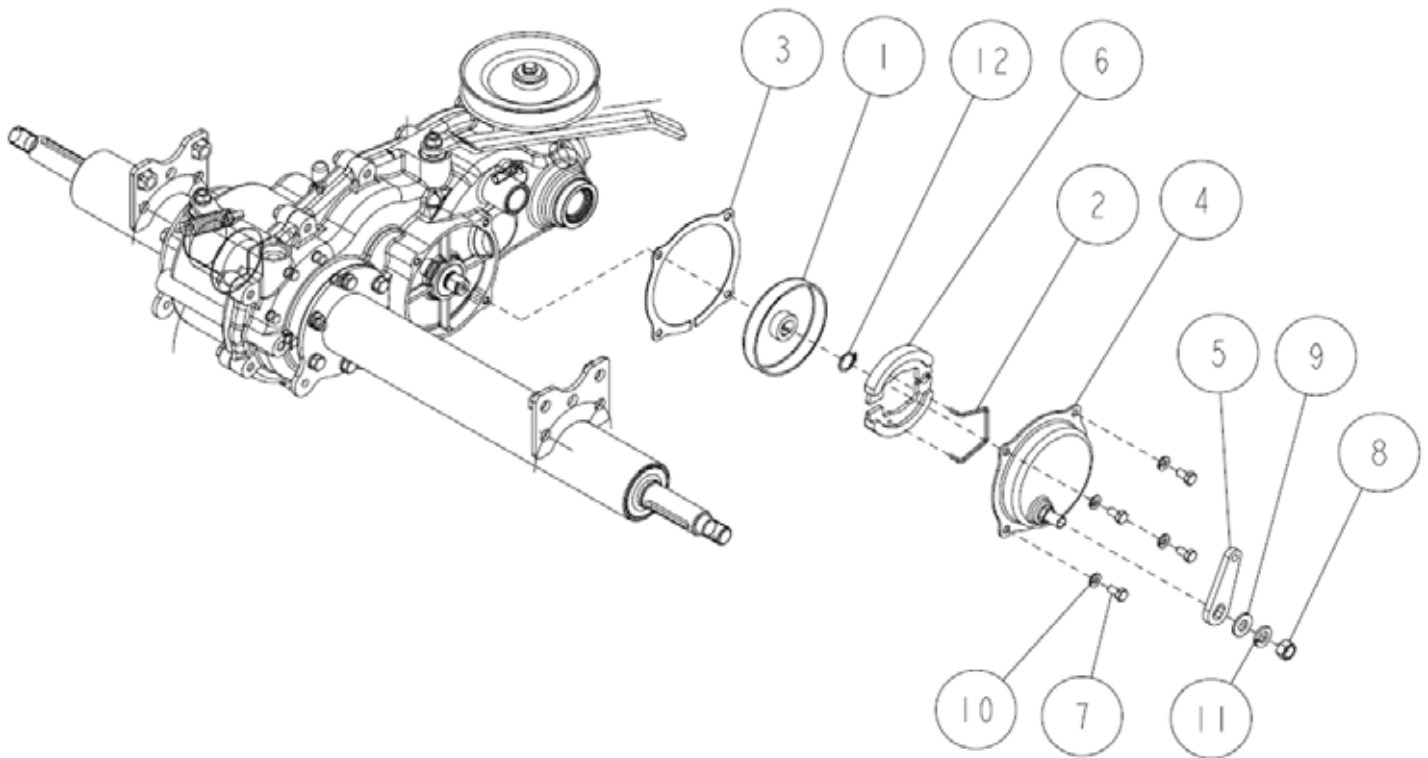


19	89-2521-000120	E Type Ring 12	1	
18	89-2511-000130	Snap Ring (S13)	1	
17	89-2132-060002	Snap Pin 6 (with stopper)	3	
16	89-1711-060002	Flat Washer 6	3	
15	89-1611-080042	Mini Hexagonal Nut M8	1	
14	89-1233-080202	Mini Hexagonal Bolt (PWSW) M8*20	4	
13	89-1211-080252	Mini Hexagonal Bolt M8*25	1	
12	0284-95300	Frame CMP	1	
11	0284-85100	Knife Clutch Lever CMP	1	
10	0244-72300	Cutting Clutch Wire	1	
9	0244-72200	Knife Brake Wire	1	
8	0284-10200	Up/Down Adjusting Shaft CMP	1	
7	0259-80700	Label, Cutting Height Line	1	
6	0244-70200	Adjusting Shaft Grip	1	
5	0244-13700	Wire Joint CMP	1	
4	0244-11200	Push Rod	1	
3	0207-74400	Safety Switch K17850	1	
2	0207-72800	Switch Lock Nut	1	
1	80-1484-262-00	Arm Grip (Red)	1	
Ref.	Parts Number	Parts Name	Quantity	Remarks

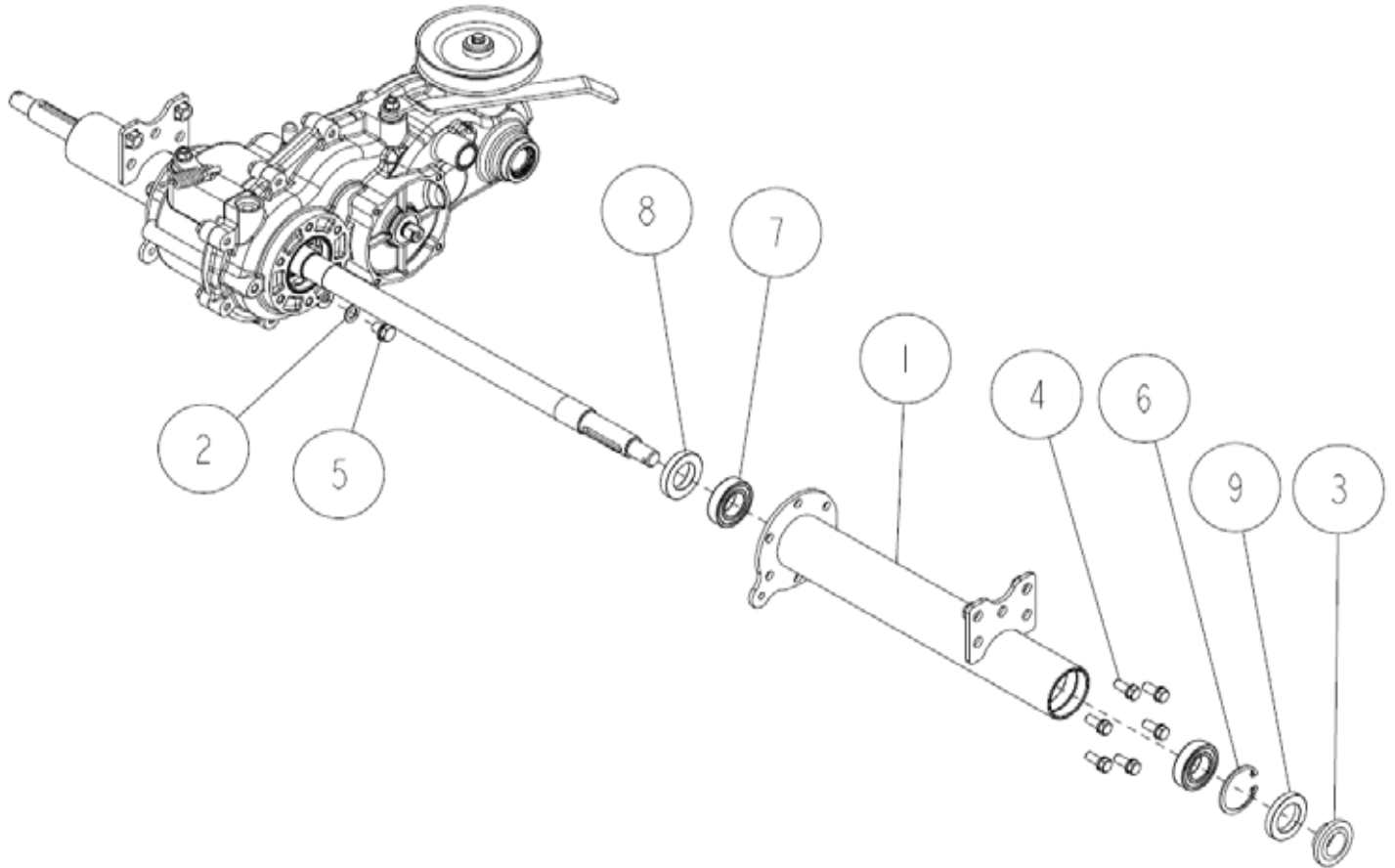




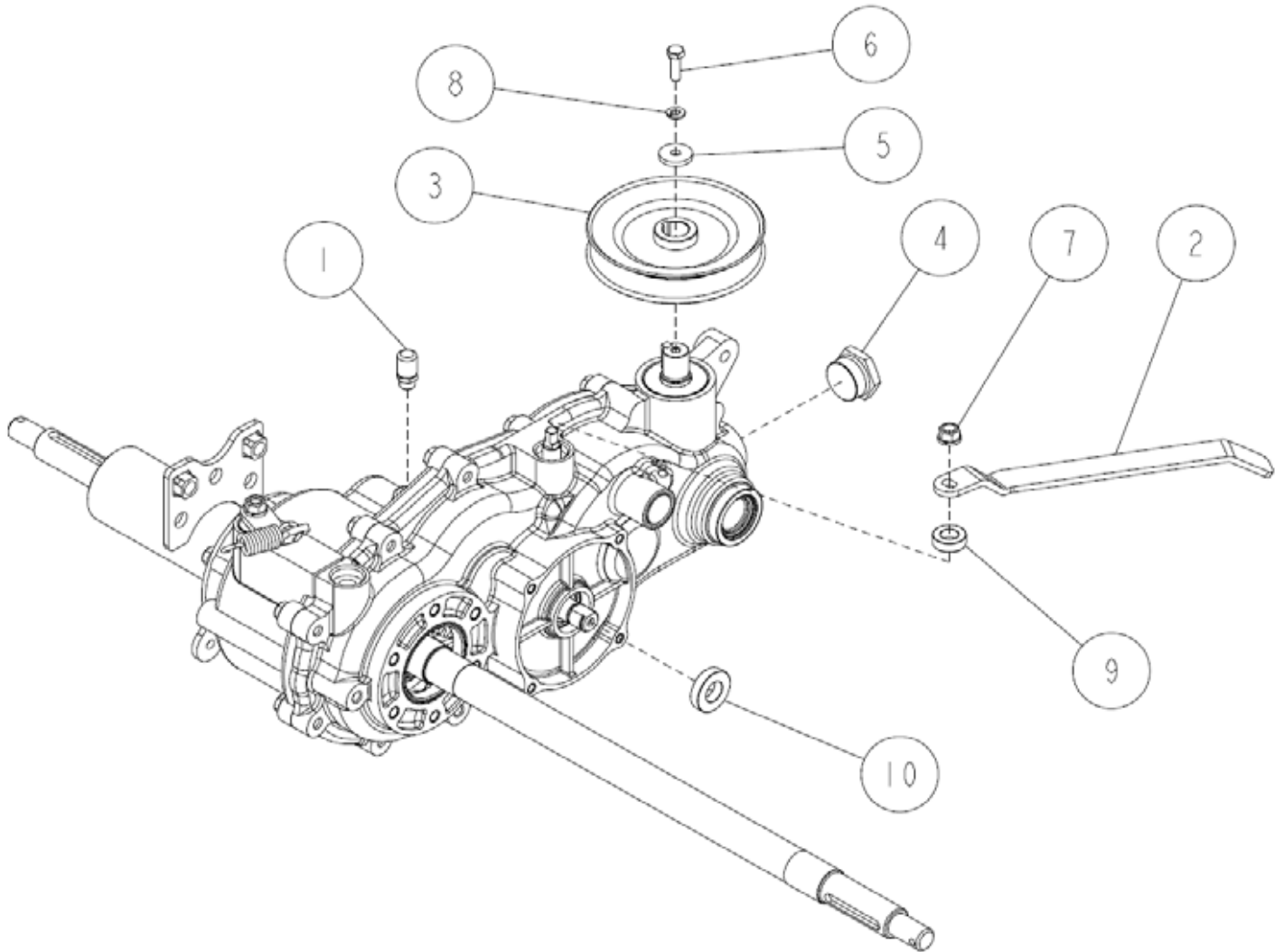
10	0284-09110	Transmission Assy (without HST)	1	
9	89-5222-045000	O Ring G45	2	
8	89-2150-050200	Key 5*20 (round)	1	
7	89-1750-080002	Spring Washer 8	2	
6	89-1251-081123	Flange Mini Hexagonal Bolt M8*112	2	
5	89-1239-080162	Mini Hexagonal Bolt (PWSW) M8*16	4	
4	0207-09730	HST Unit Assy	1	
3	0207-07500	Fan	1	
2	0207-07300	Double Spring Bolt	2	
1	0207-03100	Mission Guard CMP	1	
Ref.	Parts Number	Parts Name	Quantity	Remarks



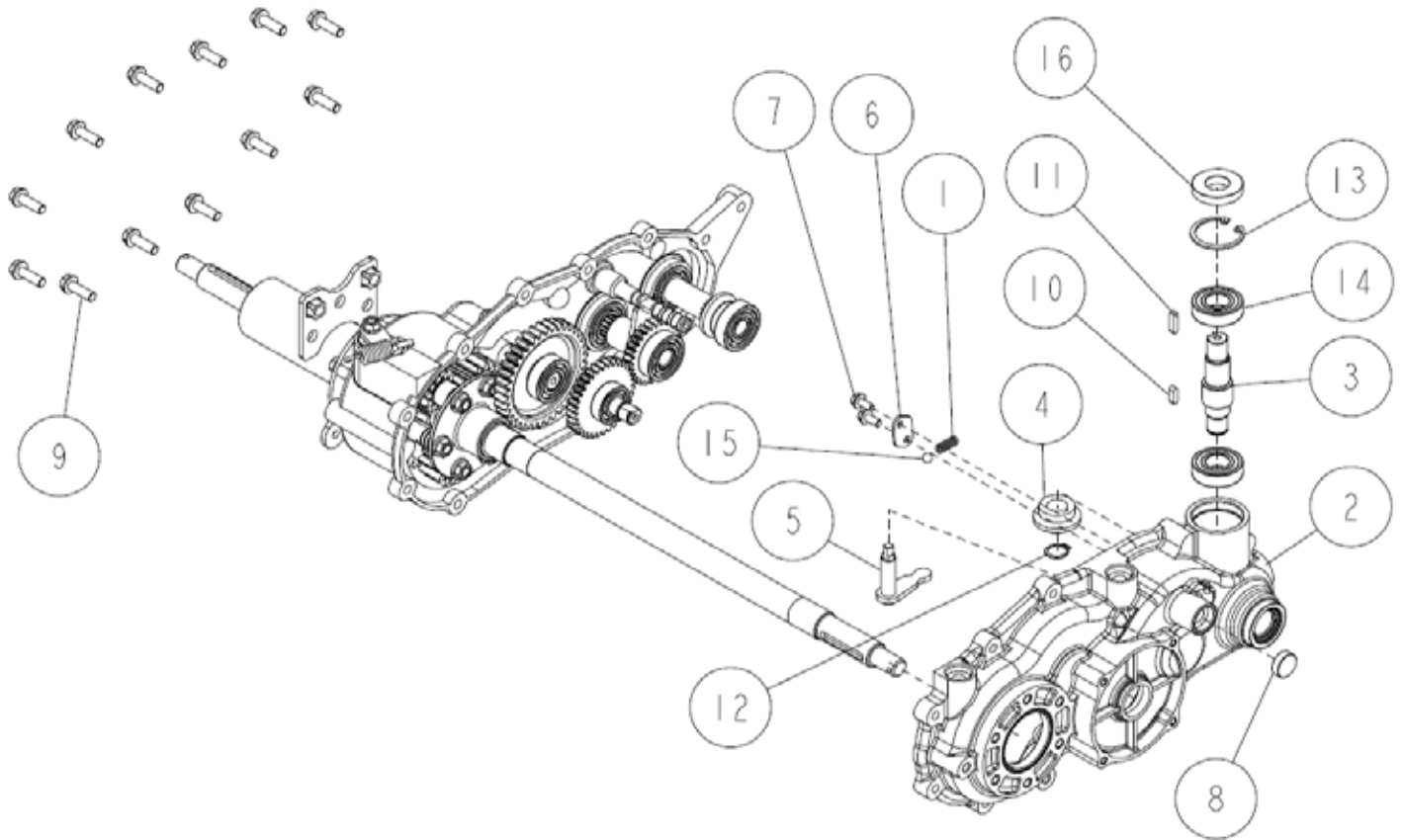
1.2.3.4.5.6	0207-73000	Brake Assy	-	
12	89-2511-000150	Snap Ring (S15)	1	
11	89-1750-100002	Spring Washer 10	1	
10	89-1750-060002	Spring Washer 6	4	
9	89-1714-100002	Flat Washer 10	1	
8	89-1611-100042	Mini Hexagonal Nut M10	1	
7	89-1113-060122	Hexagonal Bolt (8T) M6*12	4	
6	0244-88100	Brake Shoe Set (PA-7)	1	
5	0207-73200	Brake Arm	1	
2.4.5.6	0207-73100	Brake Cap Assy	1	
3	0207-04100	Brake Cover PK (PA-7)	1	
2	80-1030-285-00	Spring for Brake Shoe Return	1	
1	80-1030-282-00	Brake Drum (PA-7)	1	
Ref.	Parts Number	Parts Name	Quantity	Remarks



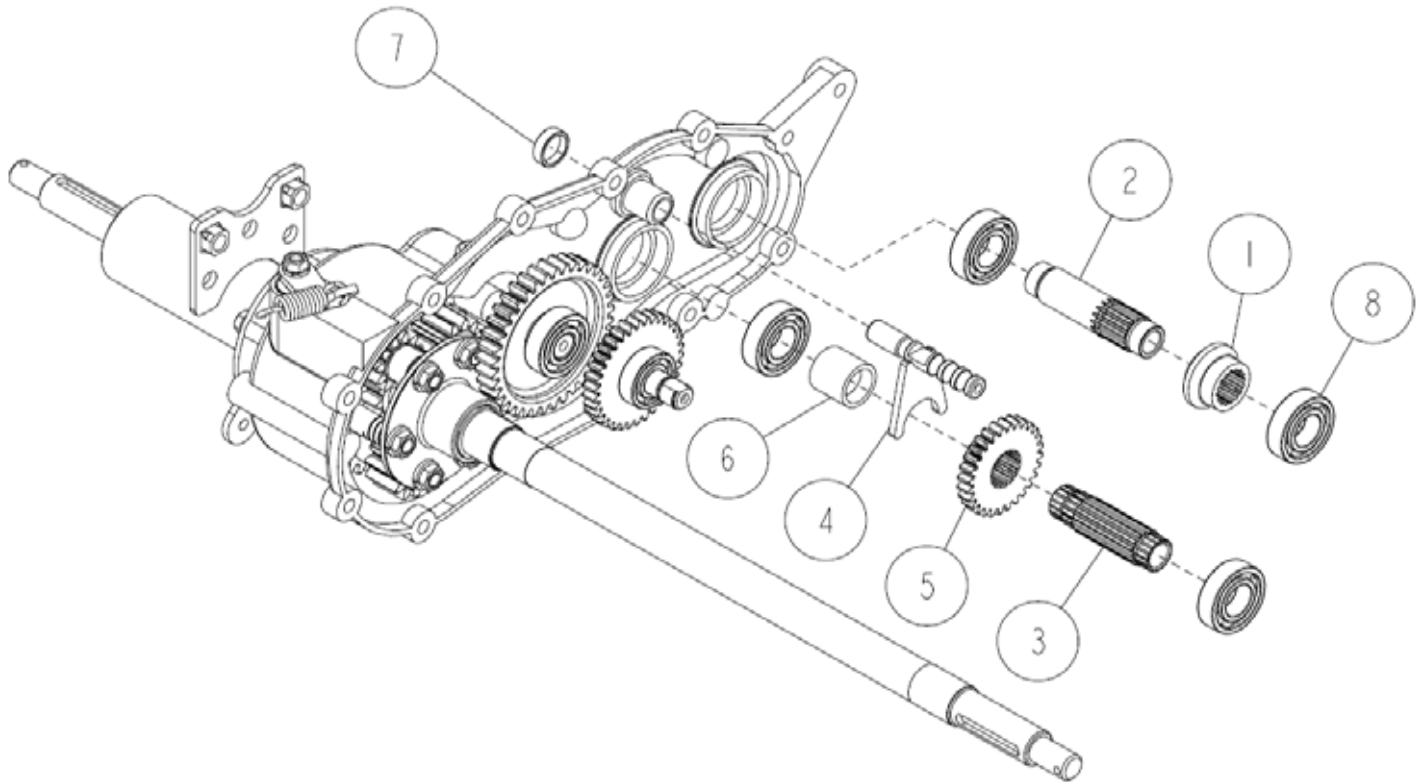
9	89-5121-304707	Oil Seal UE 30.47.7	1	
8	89-5121-284708	Oil Seal UE 28.47.8	1	
7	89-3115-060054	Bearing 6005 2RS	2	
6	89-2512-000470	Snap Ring (R47)	1	
5	89-1252-100122	Flange Mini Hexagonal Bolt M10*12 (sler)	1	
4	89-1232-080202	Mini Hexagonal Bolt (SW) M8*20	6	
3	83-1415-663-00	Oil Seal AP 30.47.7	1	
2	83-1020-349-00	Copper Packing 10.5*18*1.6	1	
1	0215-00600	Axle Case (L) CMP	1	
Ref.	Parts Number	Parts Name	Quantity	Remarks



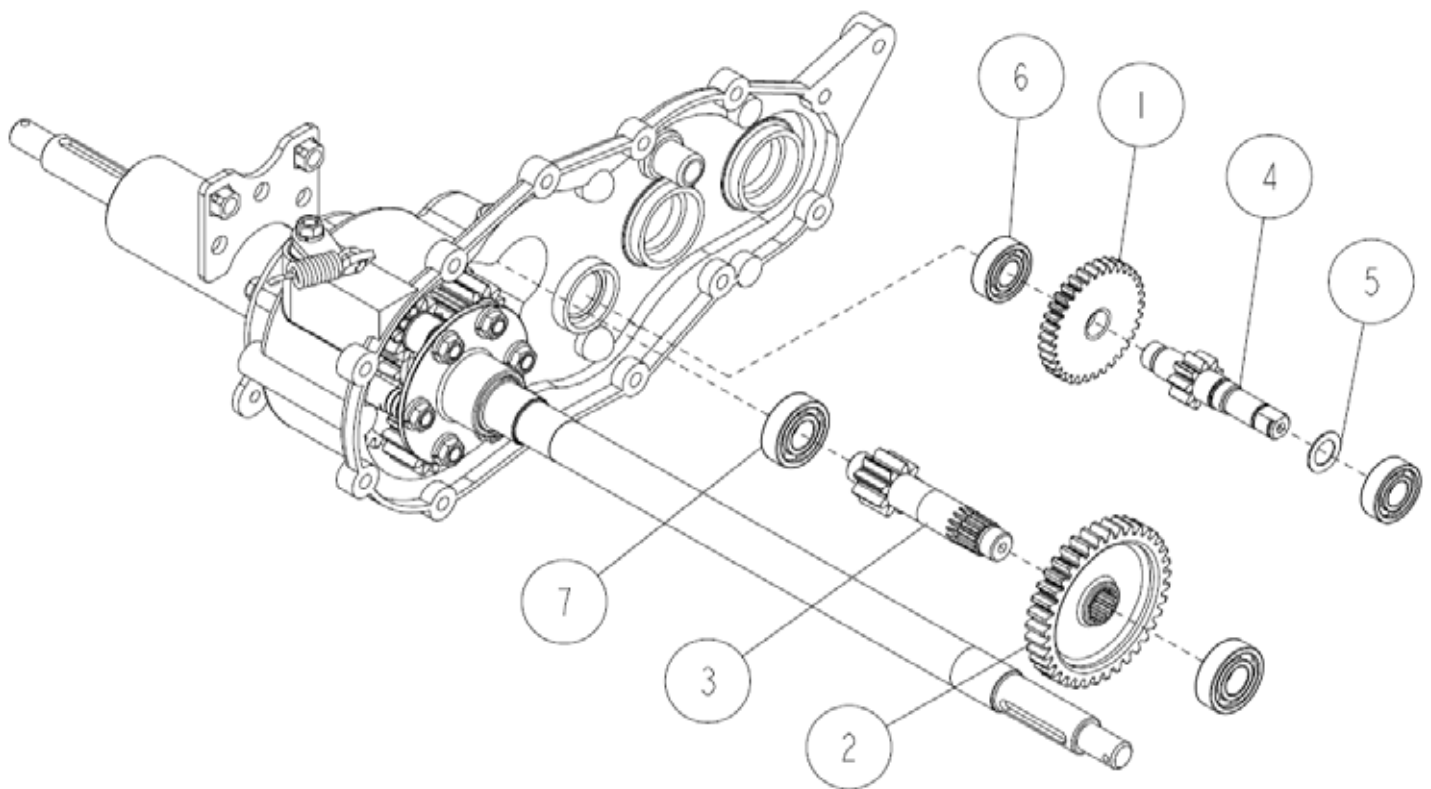
10	89-5121-153007	Oil Seal UE 15.30.7	1	
9	89-5121-122207	Oil Seal UE 12.22.7	1	
8	89-1750-060002	Spring Washer 6	1	
7	89-1543-080002	Mini Hexagonal Nut (SW) M8	1	
6	89-1113-060202	Hexagonal Bolt (8T) M6*20	1	
5	83-1482-311-00	Washer 6.5*22*3.2	1	
4	0289-01000	Oil Plug Assy (with O Ring)	1	
3	0284-40200	Transmission Pulley(HI)	1	
2	0215-00100	Driving Clutch Arm	1	
1	0207-06100	Air Bleazer	1	
Ref.	Parts Number	Parts Name	Quantity	Remarks



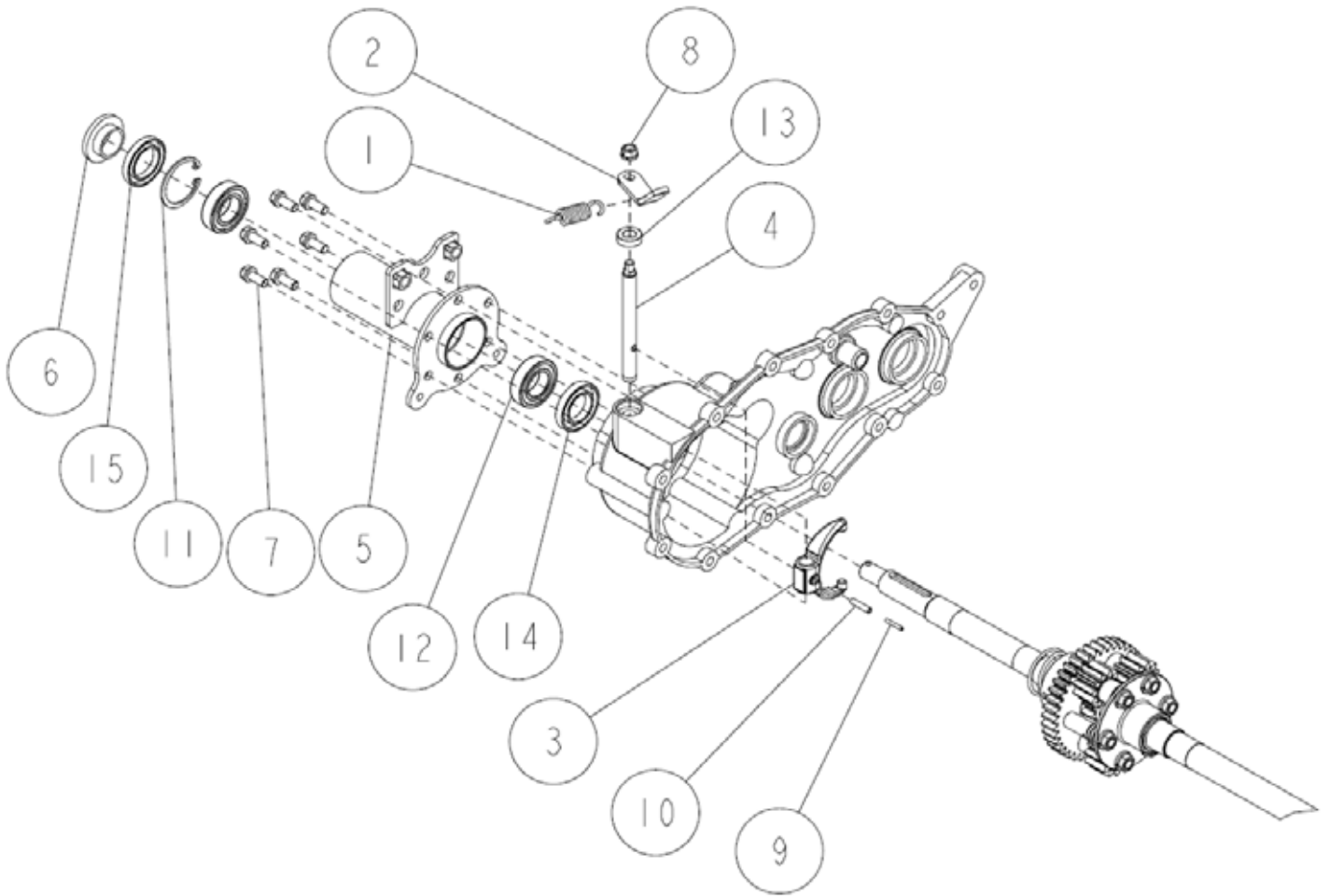
16	89-5121-204208	Oil Seal UE 20.42.8	1	
15	89-3410-080000	Steel Ball 8.0	1	
14	89-3115-060044	Bearing 6004 2RS	2	
13	89-2512-000420	Snap Ring (R42)	1	
12	89-2511-000170	Snap Ring (S17)	1	
11	89-2151-050200	Key 5*20 (half round)	1	
10	89-2150-050160	Key 5*16 (round)	1	
9	83-1482-143-00	Tapping Bolt M8*25	12	
8	83-1415-671-00	Blind Cover 22	1	
7	83-1020-148-00	Tapping Bolt M6*14	2	
6	0207-01900	Shift Spring Holder	1	
5	0207-01700	Swing Arm CMP	1	
4	0207-00400	20T Spiral Mita Gear(L)	1	
3	0207-00300	A Axle	1	
2	0207-00100	Transmission Case(L)	1	
1	80-1310-138-00	Spring 1.4	1	
Ref.	Parts Number	Parts Name	Quantity	Remarks



8	89-3111-060044	Bearing 6004	4	
7	83-1415-671-00	Blind Cover 22	1	
6	0215-00500	C Axle Collar 26	1	
5	0215-00400	Shift Gear 28	1	
4	0207-01600	Shift Fork Shaft CMP	1	
3	0207-00700	C Axle	1	
2	0207-00600	B Axle	1	
1	0207-00500	20T Spiral Mita Gear(R)	1	
Ref.	Parts Number	Parts Name	Quantity	Remarks

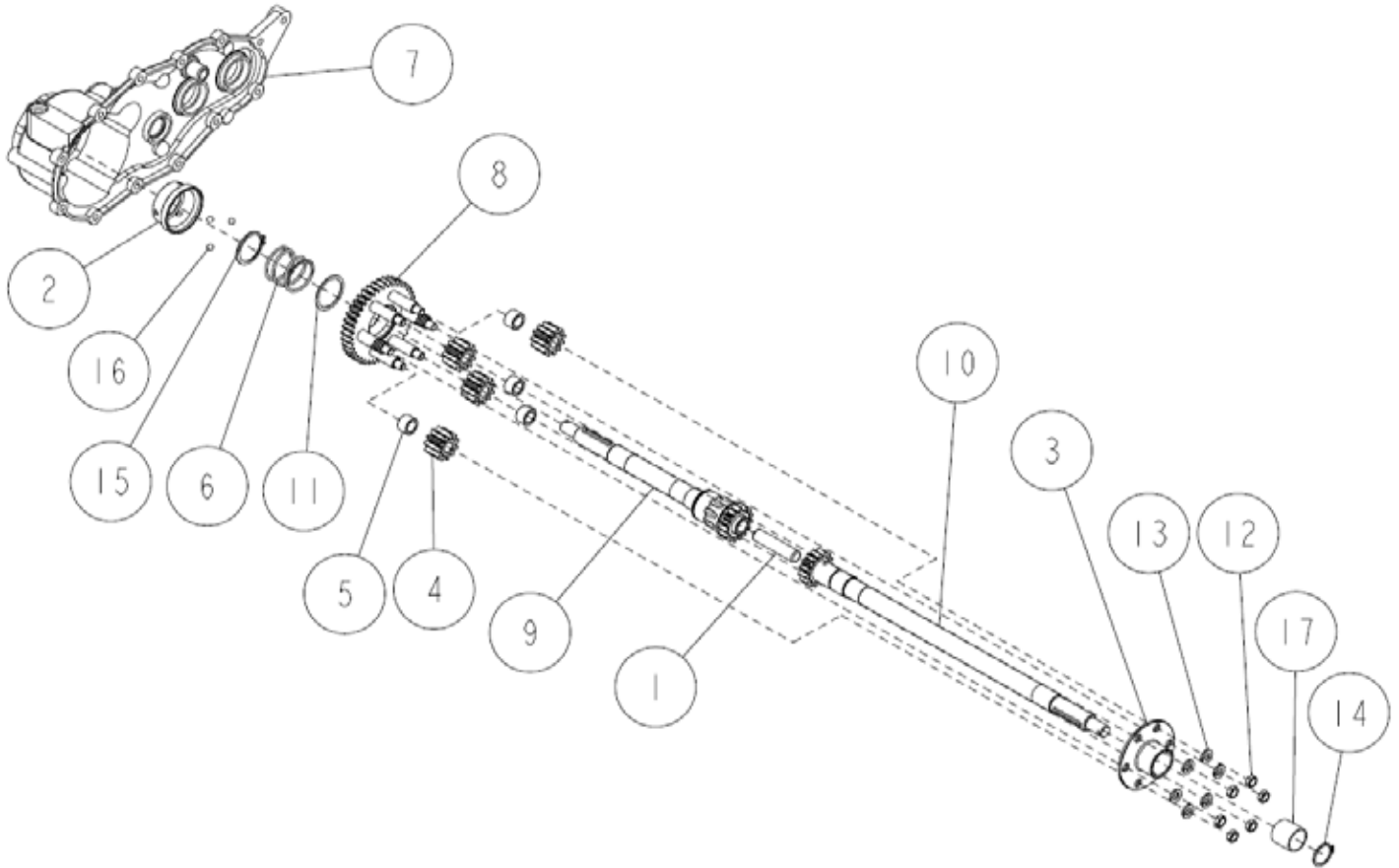


7	89-3111-062034	Bearing 6203	2	
6	89-3111-062024	Bearing 6202	2	
5	83-1020-361-00	Thrust Washer 15*24*1.0	1	
4	0215-00300	Brake Shaft	1	
3	0207-02700	D Axle	1	
2	0207-01400	D Axle 37T Gear	1	
1	0207-01310	Brake Shaft 34T Gear	1	
Ref.	Parts Number	Parts Name	Quantity	Remarks

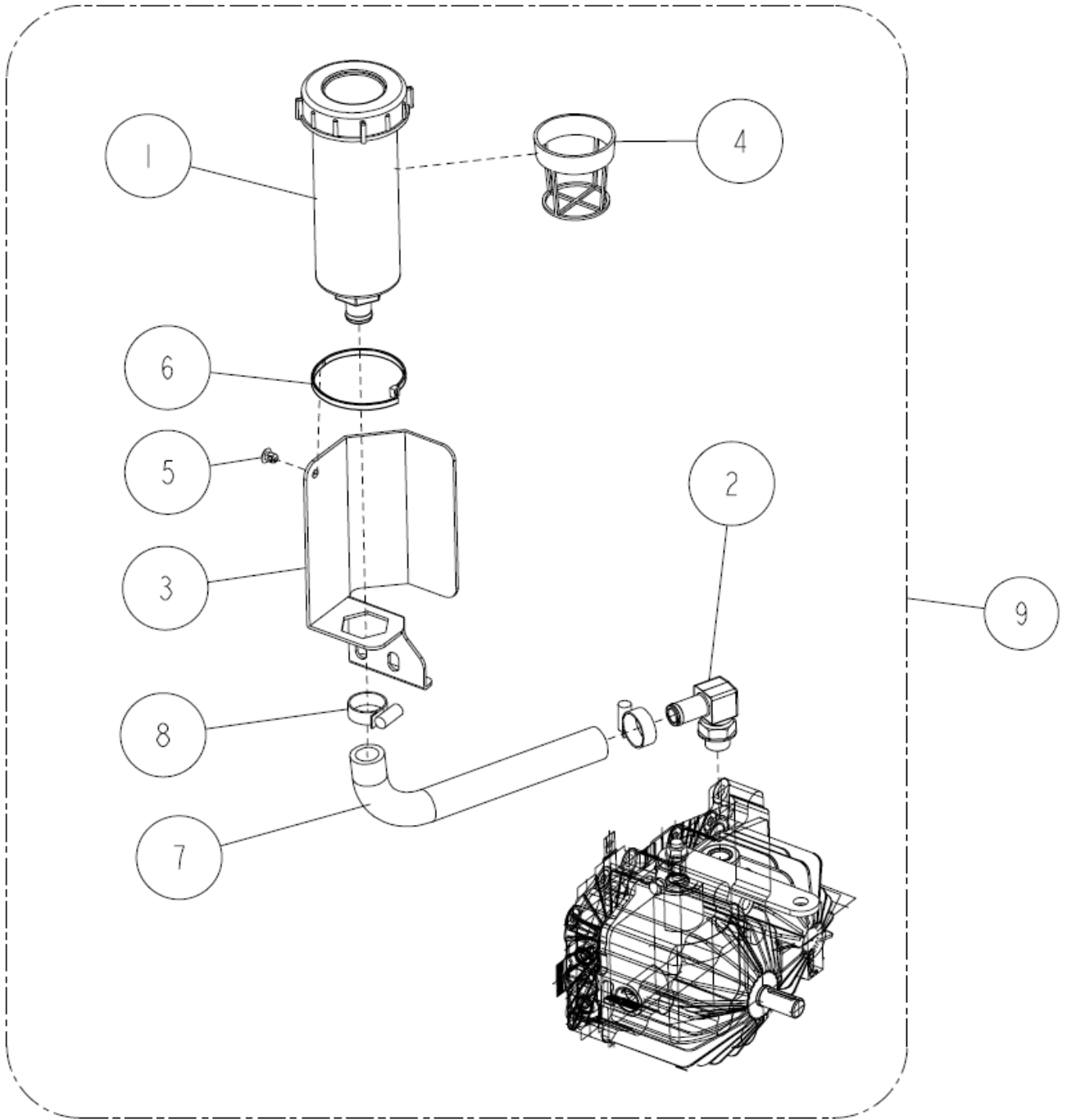


15	89-5121-304707	Oil Seal UE 30.47.7	1	
14	89-5121-284708	Oil Seal UE 28.47.8	1	
13	89-5121-122207	Oil Seal UE 12.22.7	1	
12	89-3115-060054	Bearing 6005 2RS	2	
11	89-2512-000470	Snap Ring (R47)	1	
10	89-2111-050022	Spring Pin 5*22	1	
9	89-2111-030020	Spring Pin 3*20	1	
8	89-1543-080002	Mini Hexagonal Nut (SW) M8	1	
7	89-1232-080202	Mini Hexagonal Bolt (SW) M8*20	6	
6	83-1415-663-00	Oil Seal AP 30.47.7	1	
5	0215-00700	Axle Case (R) CMP	1	
4	0207-01800	Differential Lock Fork Shaft	1	
3	80-1830-113-00	Differential Lock Fork	1	
2	80-1488-153-00	Differential Lock Arm	1	
1	80-1425-551-00	Differential Lock Spring	1	
Ref.	Parts Number	Parts Name	Quantity	Remarks

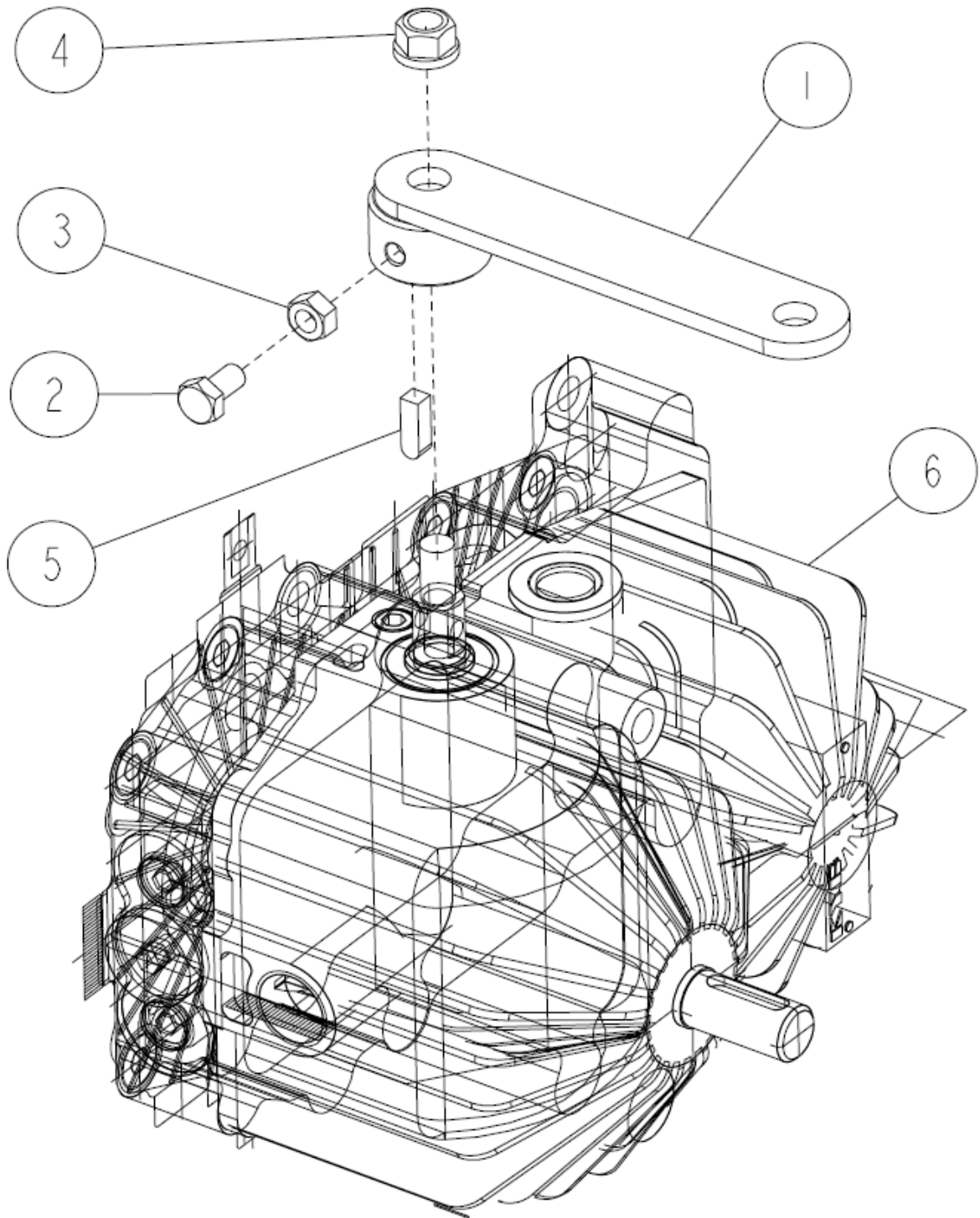




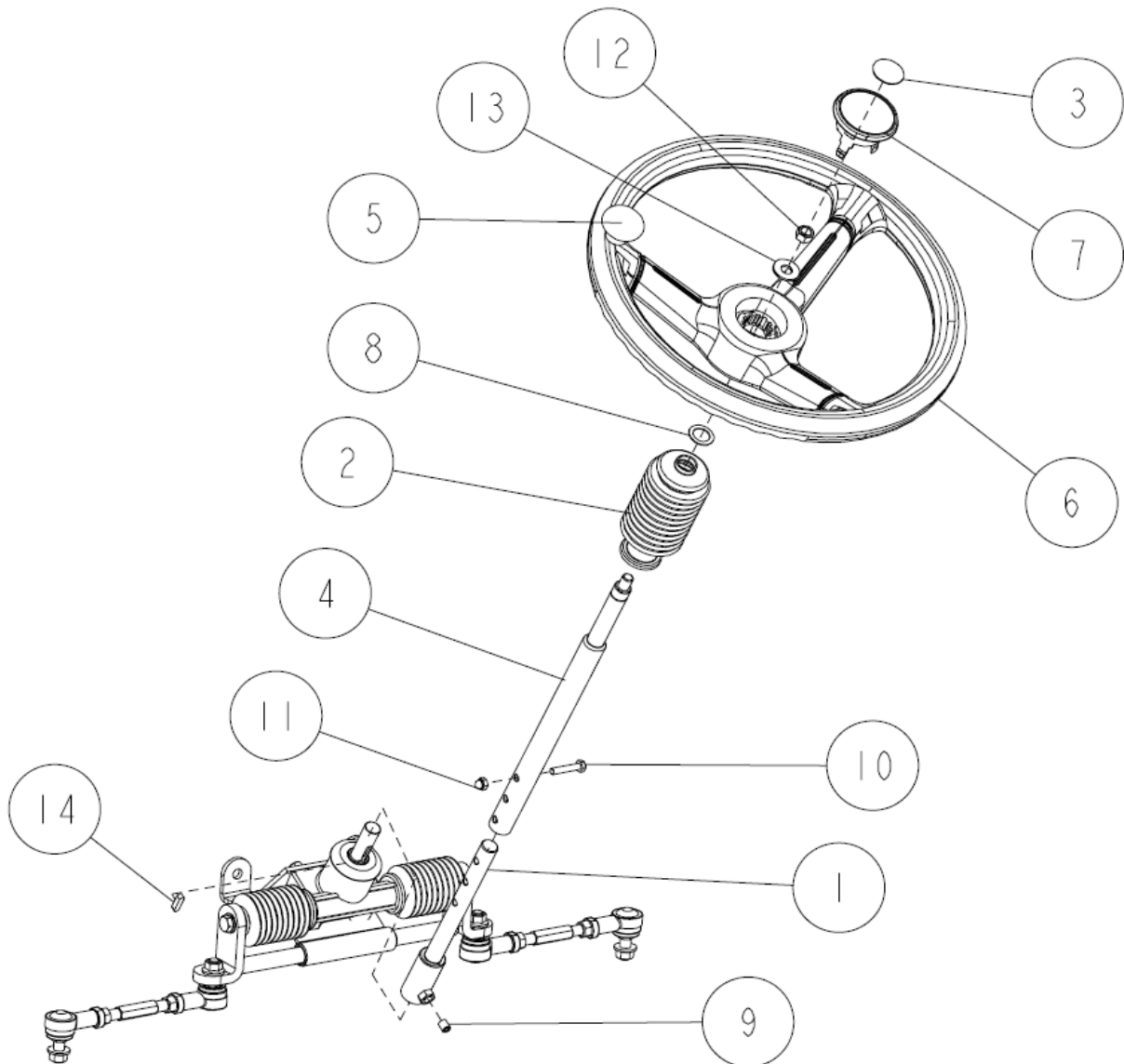
17	89-3510-028300	DU Bush 28.30	1	
16	89-3410-075000	Steel Ball 7.5	3	
15	89-2511-000400	Snap Ring (S40)	1	
14	89-2511-000280	Snap Ring (S28)	1	
13	89-1750-100002	Spring Washer 10	6	
12	89-1613-100042	Mini Hexagonal Nut (3 sorts) M10	6	
11	83-1830-382-00	Thrust Washer 40*48*1.0	1	
10	0215-00900	Axle (L) CMP	1	
9	0215-00800	Axle (R) CMP	1	
8	0207-02800	Axle Gear CMP	1	
7	0207-00200	Transmission Case(R)	1	
6	80-1751-162-00	Differential Lock Spring	1	
5	80-1481-155-00	Differential Gear Shaft Collar	4	
4	80-1481-152-00	Differential Lock Gear 11T	4	
3	80-1481-151-00	Differential Lock Plate	1	
2	80-1425-143-00	Differential Lock Cone	1	
1	80-1415-150-00	Axle Pin	1	
Ref.	Parts Number	Parts Name	Quantity	Remarks



9	0207-09730	HST Unit Assy	-	
8	0228-70200	Hose Band 24	2	
7	0228-70100	Oil Hose	1	
6	0207-79900	Wire Band 250L	1	
5	0207-79800	Push Clip	1	
4	0207-71300	Filter (with level)	1	
3	0207-08220	Oil Tank Setting	1	
2	0207-07700	Port Joint	1	
1	0207-07630	Oil Tank	1	
Ref.	Parts Number	Parts Name	Quantity	Remarks

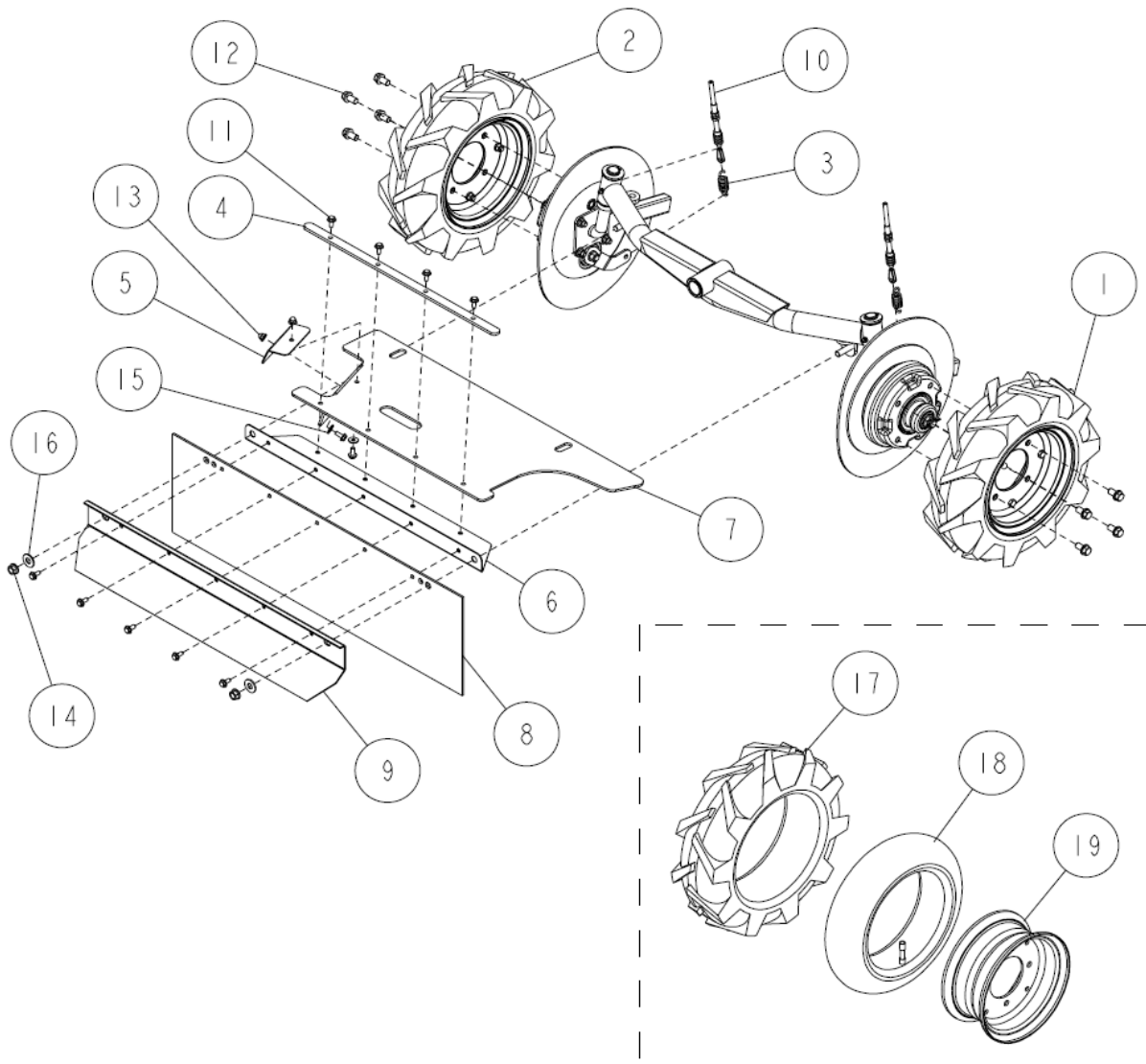


6	0207-09730	HST Unit Assy	-	
5	89-2151-050160	Key 5*16 (half round)	1	
4	89-1543-080002	Mini Hexagonal Nut (SW) M8	1	
3	89-1511-060042	Hexagonal Nut M6	1	
2	89-1113-060122	Hexagonal Bolt (8T) M6*12	1	
1	0207-02610	Control Arm CMP	1	
Ref.	Parts Number	Parts Name	Quantity	Remarks

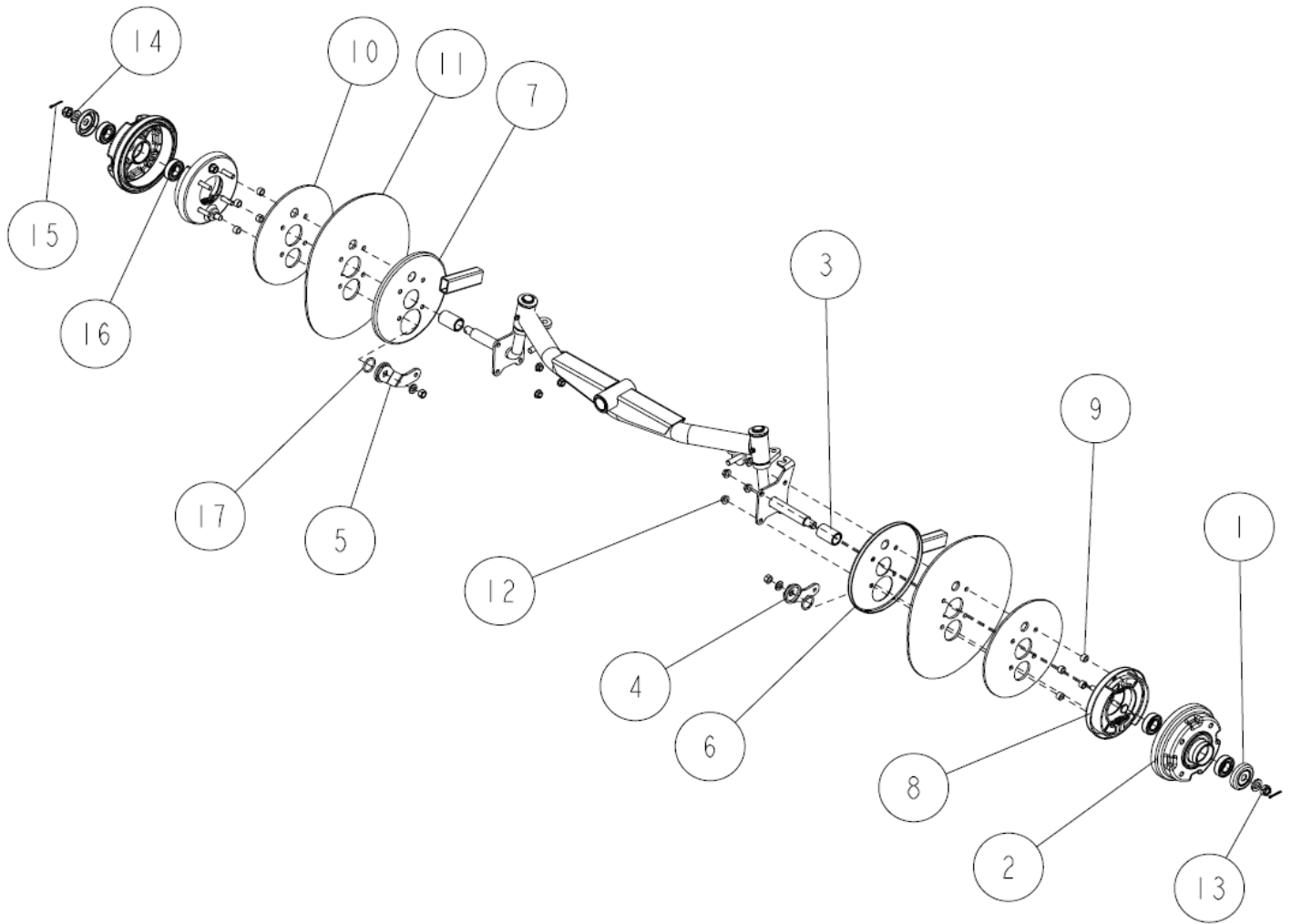


5.6.7	0262-70100	Steering Wheel Assy	-	
14	89-2150-050200	Key 5*20 (round)	1	
13	89-1713-100002	Flat Washer 10 (large)	1	
12	89-1561-100002	Mini Hexagonal U Nut M10	1	
11	89-1553-060002	Bag Hexagonal U Nut M6	1	
10	89-1113-060302	Hexagonal Bolt (8T) M6*30	1	
9	83-1493-149-00	Hexagonal Screw M8*10	1	
8	83-1020-363-00	Thrust Washer 16*24*1.0	1	
7	0262-70500	Steering Cap	1	
6	0262-70400	Steering Wheel	1	
5	0262-70300	Sub Handle Assy	1	
4	0262-10200	Steering Upper Shaft	1	
3	0244-80700	Label, Handle (Blue)	1	
2	80-1484-325-00	Steering Shaft Cover	1	
1	80-1481-324-20	Steering Lower Shaft	1	
Ref.	Parts Number	Parts Name	Quantity	Remarks

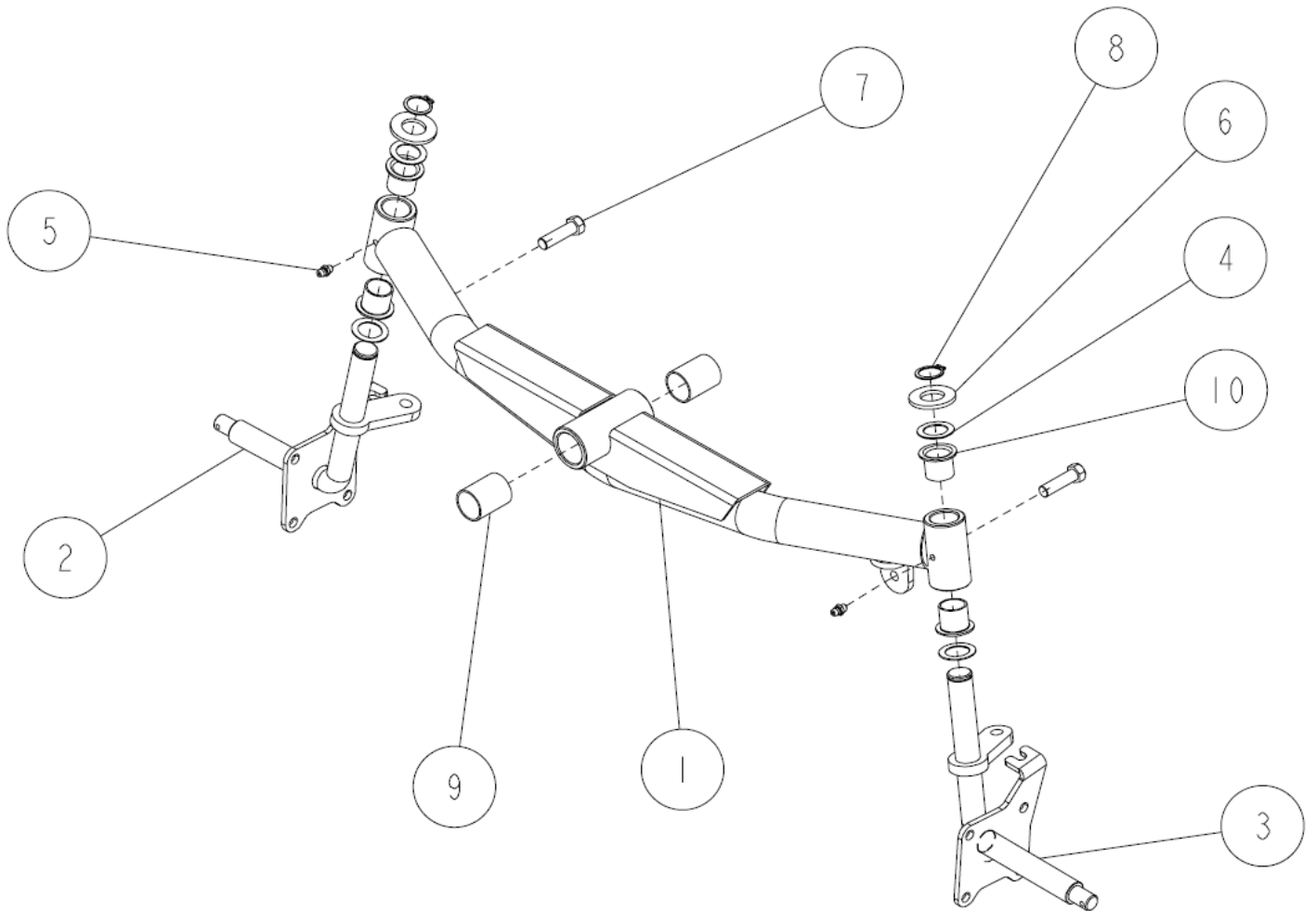




19	80-1260-407-00	Wheel Assy 3.50-7	2	
18	80-1260-404-00	Tire Tube 3.50-7	2	
17	80-1260-401-10	Tire (3.50*7)	2	
16	89-1713-100002	Flat Washer 10 (large)	2	
15	89-1713-060002	Flat Washer 6 (large)	2	
14	89-1631-100042	Flange Mini Hexagonal Nut M10	2	
13	89-1581-060042	Flange Cap Nut M6	2	
12	89-1232-100202	Mini Hexagonal Bolt (SW) M10*20	8	
11	89-1137-060152	Hexagonal Bolt (PW) M6*15	11	
10	0240-75100	Front Brake Wire	2	
9	0215-80600	Food Guard	1	
8	0215-61200	Front Flapper	1	
7	0215-60600	Upper Flapper	1	
6	0215-60500	Front Upper Guard CMP	1	
5	0207-60900	Upper Flapper Holder (R)	1	
4	80-1437-785-10	Supporter for Flapper	1	
3	80-1425-551-00	Differential Lock Spring	2	
2	80-1260-412-00	Front Wheel Tire (R) Assy (3.50-7)	1	
1	80-1260-411-00	Front Wheel Tire (L) Assy (3.50-7)	1	
Ref.	Parts Number	Parts Name	Quantity	Remarks

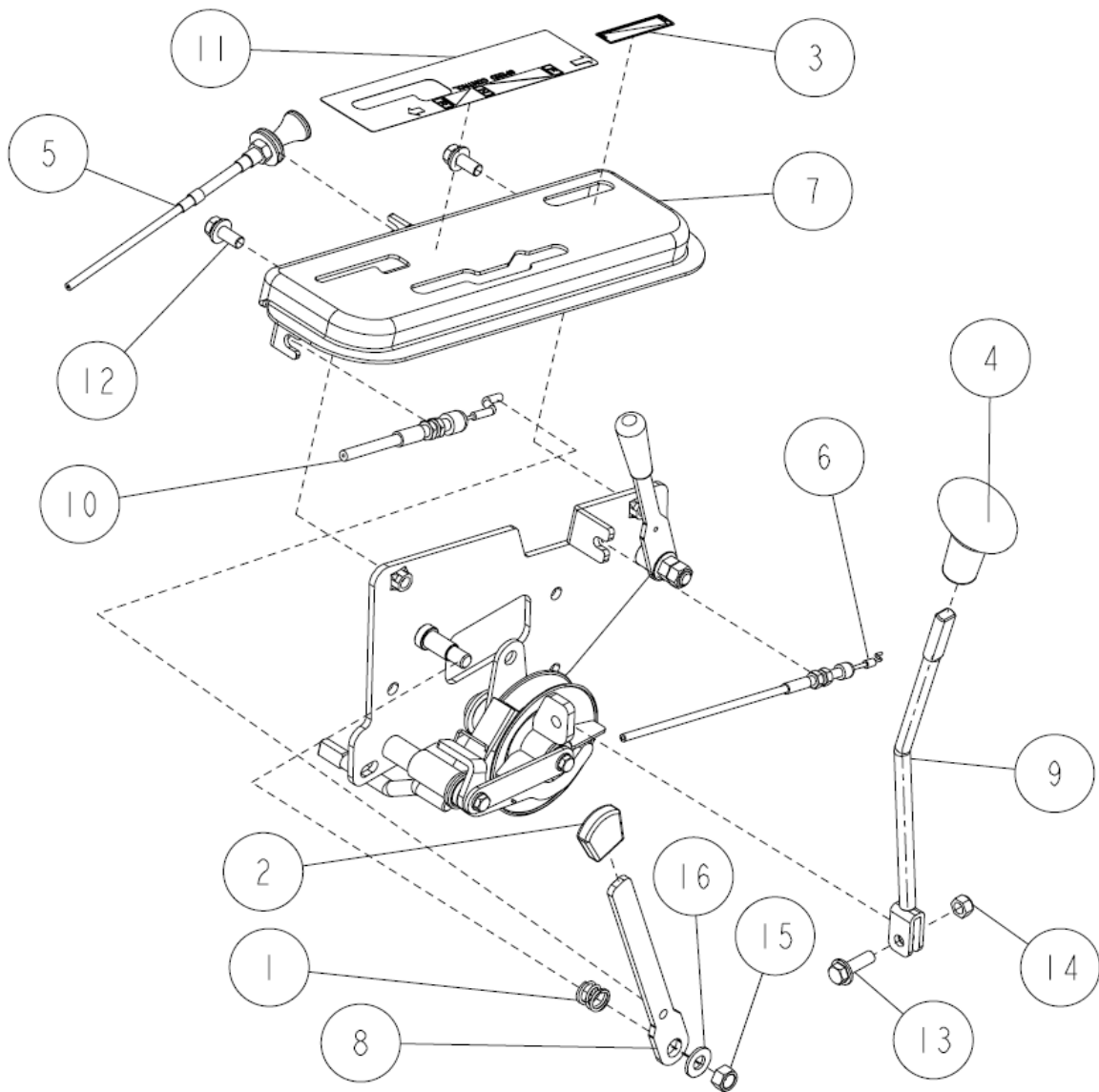


17	89-5221-025000	O Ring P25	2	
16	89-3115-060044	Bearing 6004 2RS	4	
15	89-2120-250252	Split Pin 2.5*25	2	
14	89-1750-140002	Spring Washer 14	2	
13	89-1668-140042	Mini Low Fluted Nut (2 sorts) M14	2	
12	89-1631-080042	Flange Mini Hexagonal Nut M8	8	
11	0240-62210	Front Wheel Rubber Cover	2	
10	0240-62110	Front Wheel Rubber Cover (IN)	2	
9	0240-32200	Brake Collar	8	
8	0240-32100	Brake Shoe $\phi$ 130	2	
7	0240-31500	Brake Cover CMP (R)	1	
6	0240-31400	Brake Cover CMP (L)	1	
5	0240-31300	Brake Arm CMP (R)	1	
4	0240-31200	Brake Arm CMP (L)	1	
3	0240-31100	King Pin Collar	2	
2	0240-30300	Wheel Boss	2	
1	0207-30500	Front Wheel Dust Cover	2	
Ref.	Parts Number	Parts Name	Quantity	Remarks

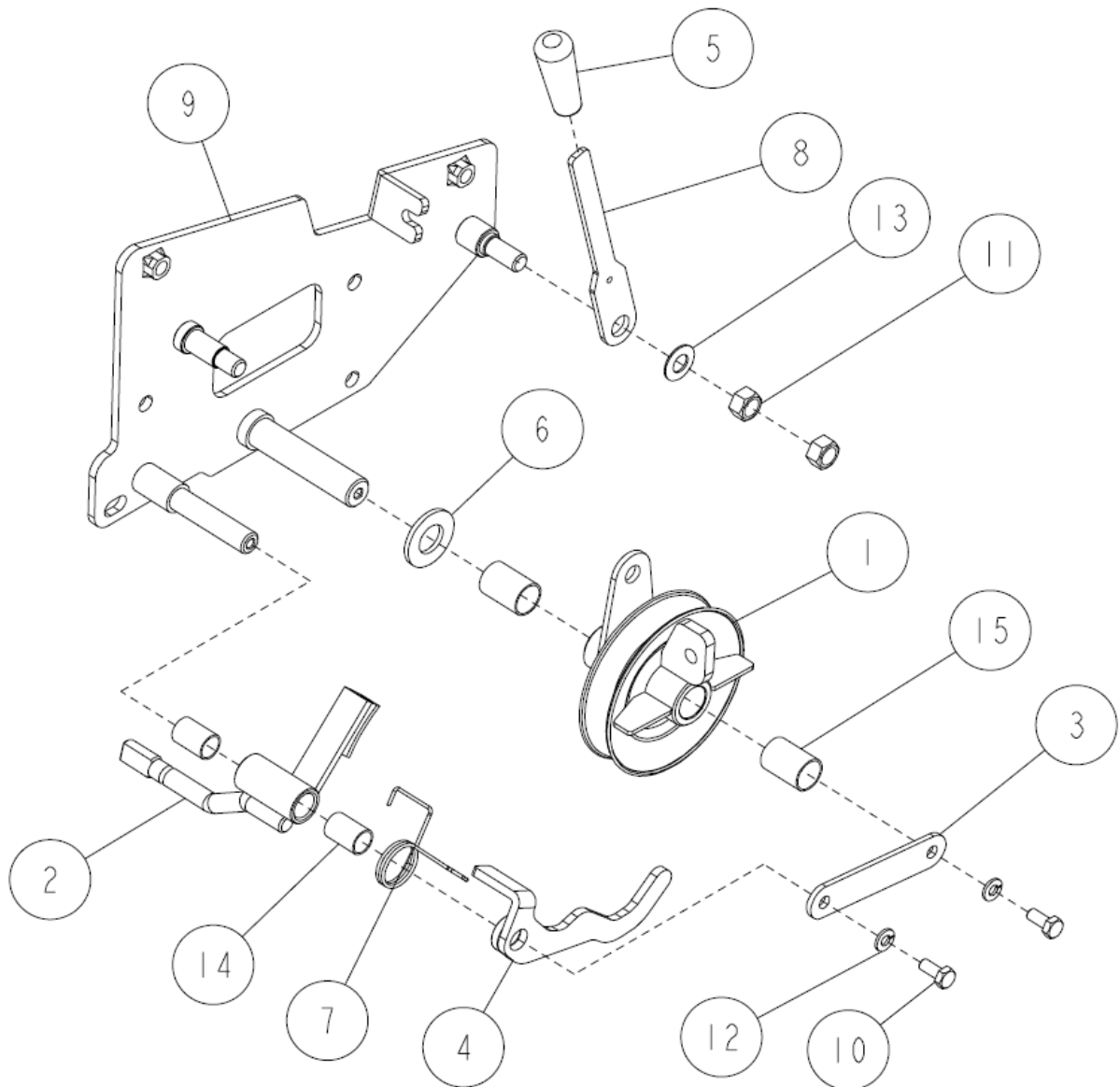


10	89-3511-020200	DU Bush 20.20.31F	4	
9	89-3510-025350	DU Bush 25.35	2	
8	89-2511-000200	Snap Ring (S20)	2	
7	89-1213-100352	Mini Hexagonal Bolt (8T) M10*35	2	
6	83-1490-337-00	Washer 20*38*3.2	2	
5	83-1415-975-00	Grease Nipple M6	2	
4	83-1310-371-00	Thrust Washer 20*30*1.0	4	
3	0284-95700	King Pin RM88FB (L)	1	
2	0284-95600	King Pin RM88FB (R)	1	
1	0284-30100	Front Axle CMP	1	
Ref.	Parts Number	Parts Name	Quantity	Remarks

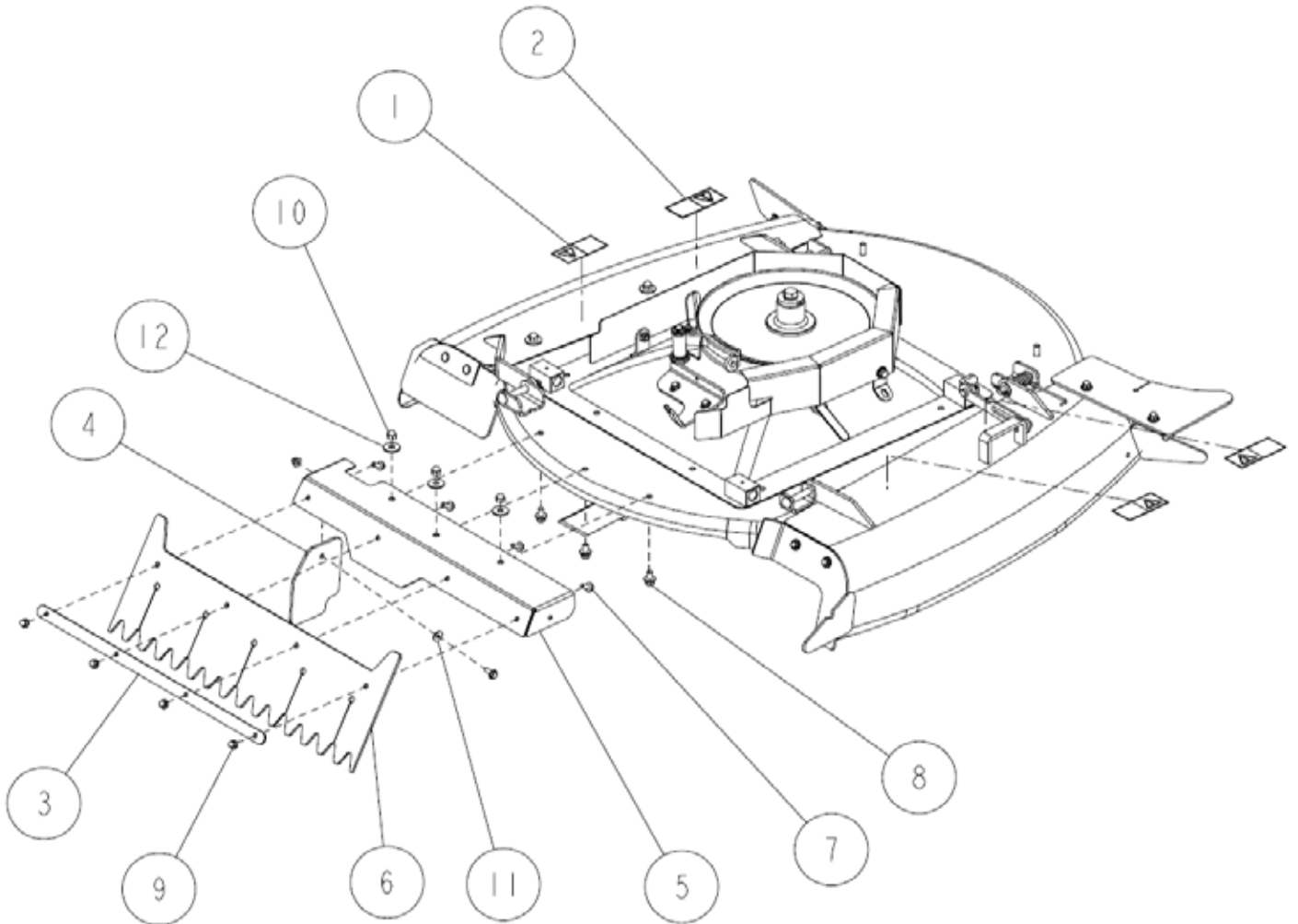




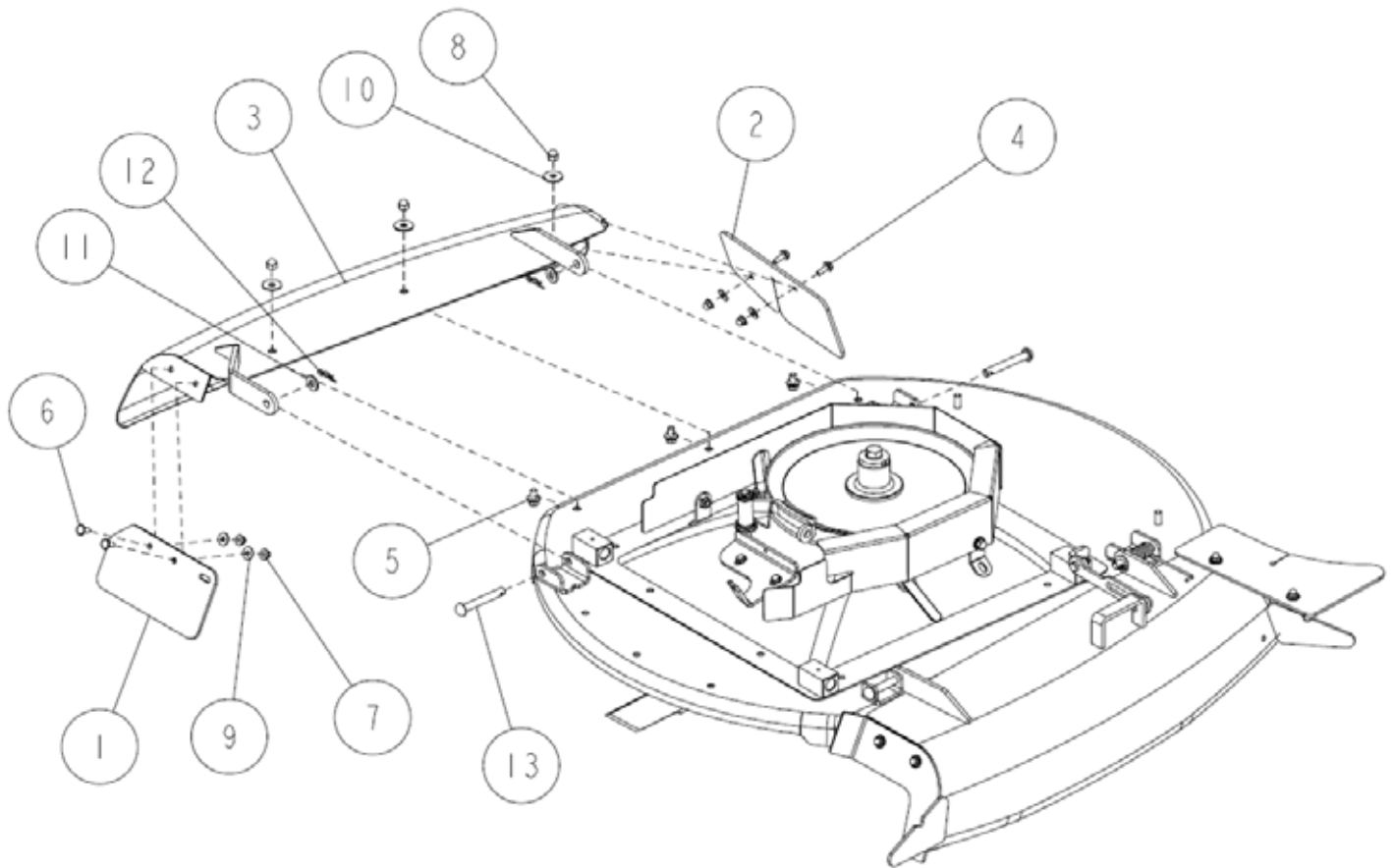
16	89-1712-100000	Flat Washer 10	1	
15	89-1561-100002	Mini Hexagonal U Nut M10	1	
14	89-1561-080002	Mini Hexagonal U Nut M8	1	
13	89-1253-080252	Flange Mini Hexagonal Bolt (8T) M8*25	1	
12	89-1233-080202	Mini Hexagonal Bolt (PWSW) M8*20	2	
11	0284-88400	Label, Control	1	
10	0284-71200	Differential Lock Wire	1	
9	0284-10600	Change Lever CMP	1	
8	0284-10500	Differential Lock Lever CMP	1	
7	0284-10100	Change Guide CMP	1	
6	0244-72100	Throttle Wire (B)	1	
5	0238-70200	Chork Wire	1	
4	0221-13200	Change Grip	1	
3	0217-70200	Label, Throttle (13169)	1	
2	0215-70600	Lever Grip (Red)	1	
1	80-1020-263-00	Control Lever Shaft Spring	1	
Ref.	Parts Number	Parts Name	Quantity	Remarks



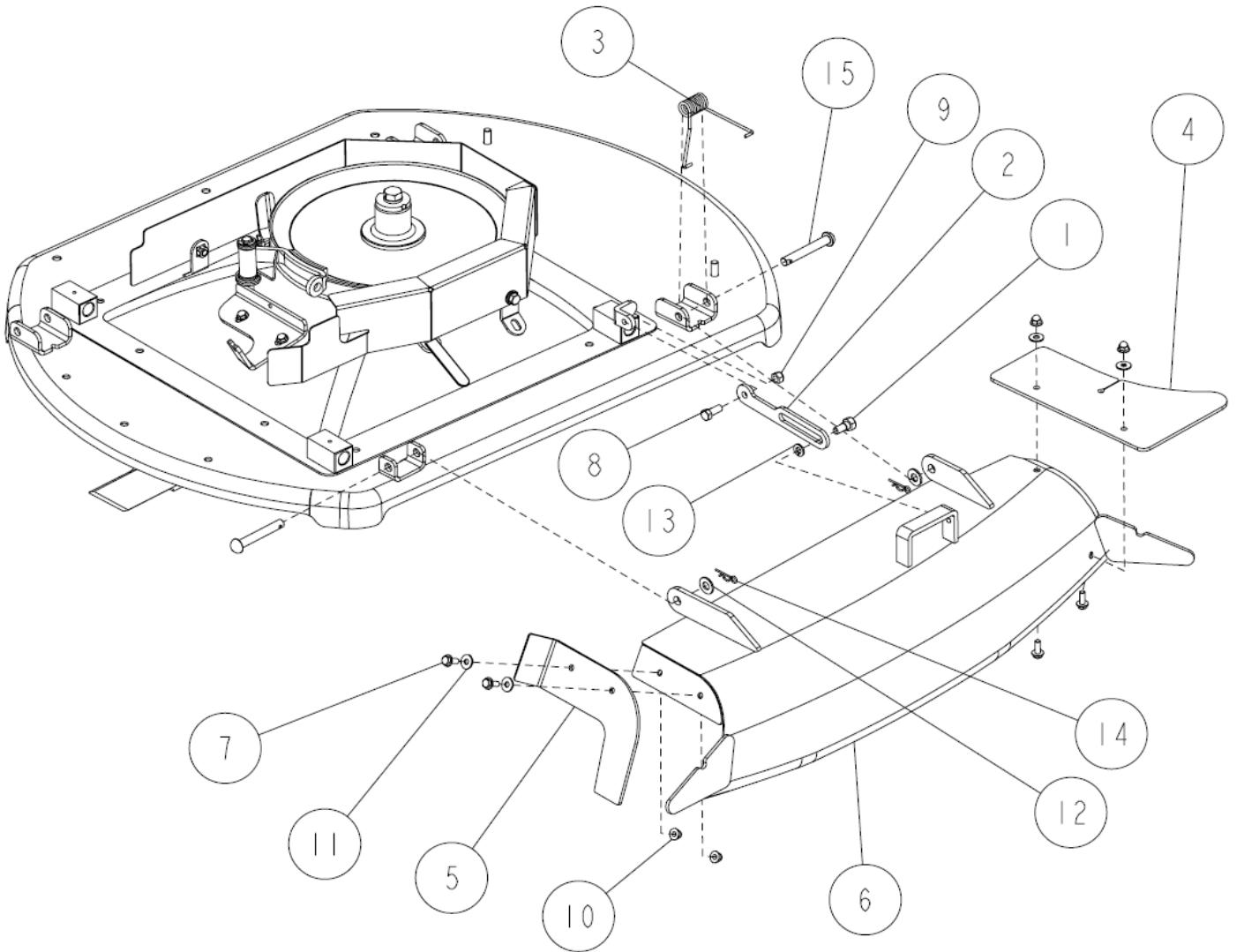
15	89-3510-016250	DU Bush 16.25	2	
14	89-3510-012200	DU Bush 12.20	2	
13	89-1852-100000	Belleville Spring H10	1	
12	89-1750-060002	Spring Washer 6	2	
11	89-1611-100042	Mini Hexagonal Nut M10	2	
10	89-1111-060142	Hexagonal Bolt M6*14	2	
9	0284-11100	Change Bracket CMP	1	
8	0244-12500	Throttle Lever	1	
7	0207-79100	Spring For Change Return Arm	1	
6	0207-76800	Washer 16*32*2.3	1	
5	0207-72600	Lever Grip 8 (black)	1	
4	0207-13400	Change Return Arm	1	
3	0207-11610	Change Beam	1	
2	0207-11400	Change Brake	1	
1	0207-11310	Change Boss CMP	1	
Ref.	Parts Number	Parts Name	Quantity	Remarks



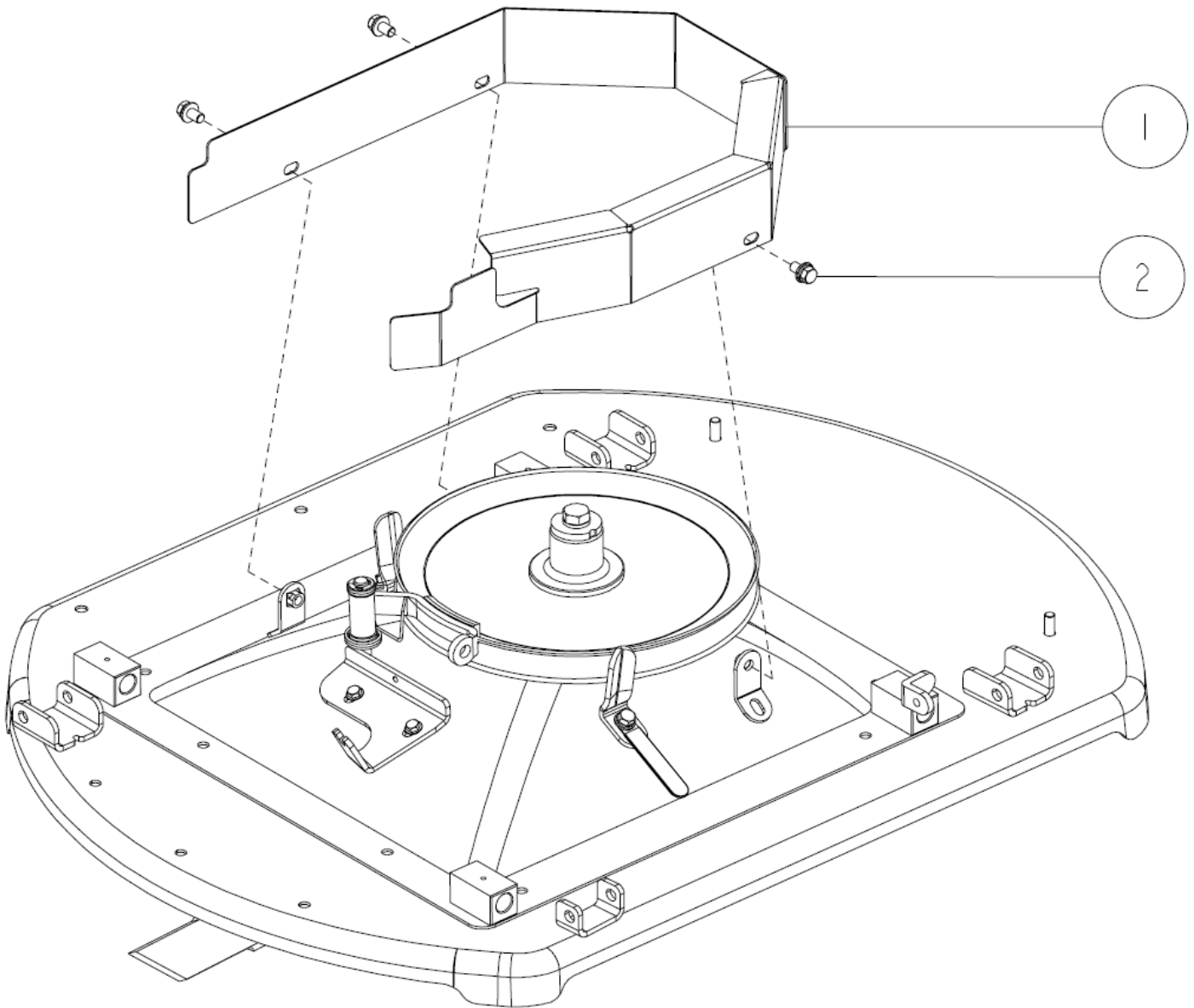
12	89-1714-080002	Flat Washer 8	3	
11	89-1713-060002	Flat Washer 6 (large)	1	
10	89-1671-080042	Mini Cap Nut M8	3	
9	89-1581-060042	Flange Cap Nut M6	5	
8	89-1233-080162	Mini Hexagonal Bolt (PWSW) M8*16	3	
7	89-1137-060172	Hexagonal Bolt (PW) M6*17	5	
6	0284-50300	Rear Flapper	1	
5	0284-50200	Rear Guard	1	
4	0244-62600	Side Flapper (Rear)	1	
3	0244-61400	Rear Guard Flapper Holder	1	
2	80-1488-928-10	Label, Caution for Belt Involving	2	
1	80-1488-926-10	Label, Caution for Knife	2	
Ref.	Parts Number	Parts Name	Quantity	Remarks



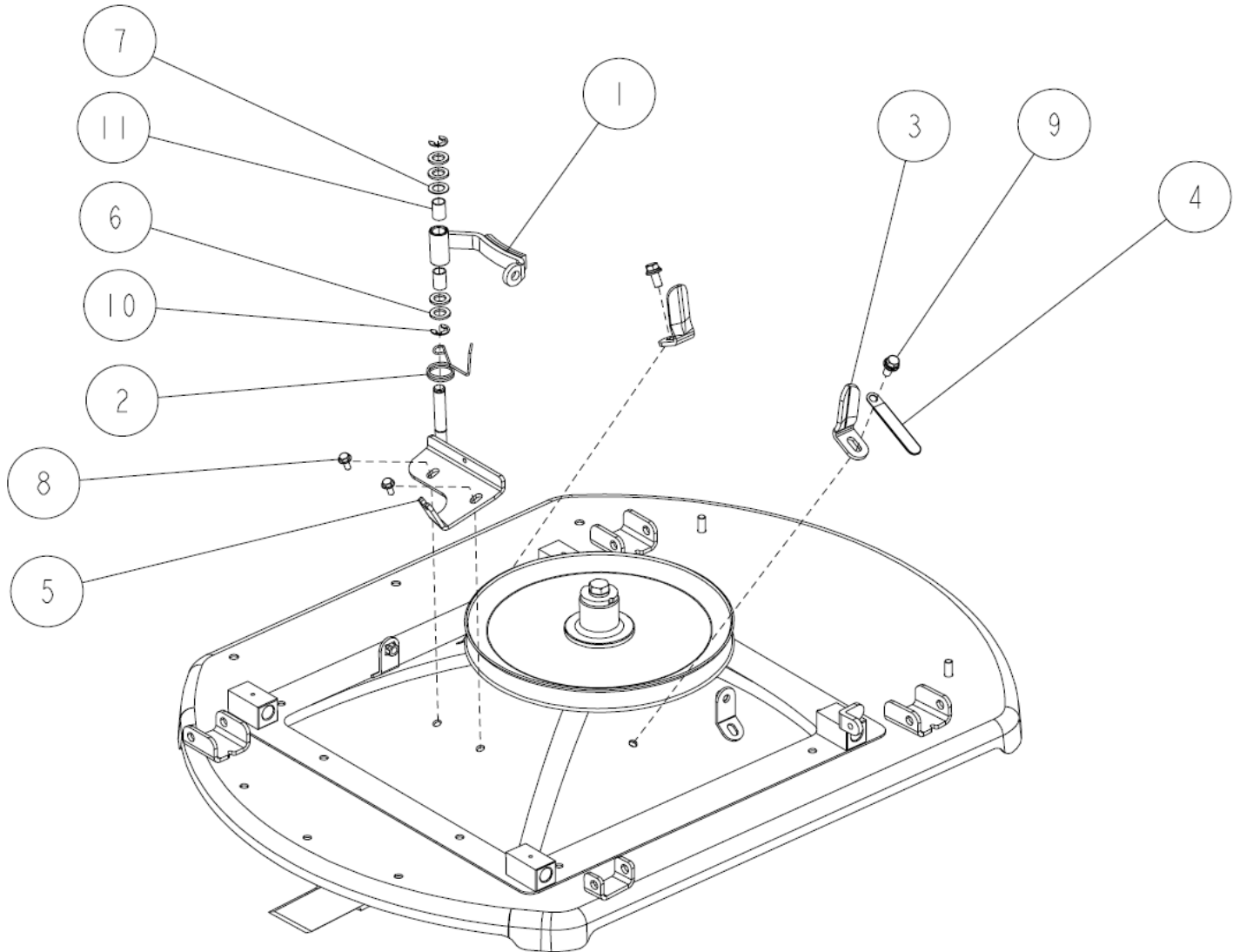
13	89-2191-100720	Round Head Pin 10*72	2	
12	89-2131-100002	Snap Pin 10	2	
11	89-1714-100002	Flat Washer 10	2	
10	89-1714-080002	Flat Washer 8	3	
9	89-1713-060002	Flat Washer 6 (large)	4	
8	89-1671-080042	Mini Cap Nut M8	3	
7	89-1581-060042	Flange Cap Nut M6	4	
6	89-1390-060142	Welded Bolt M6*14	2	
5	89-1233-080162	Mini Hexagonal Bolt (PWSW) M8*16	3	
4	89-1137-060172	Hexagonal Bolt (PW) M6*17	2	
3	0284-96100	Left Cover CMP	1	
2	0284-51300	Side Flapper (Front Left 88)	1	
1	0255-60800	Rear Side Flapper ( Left A)	1	
Ref.	Parts Number	Parts Name	Quantity	Remarks



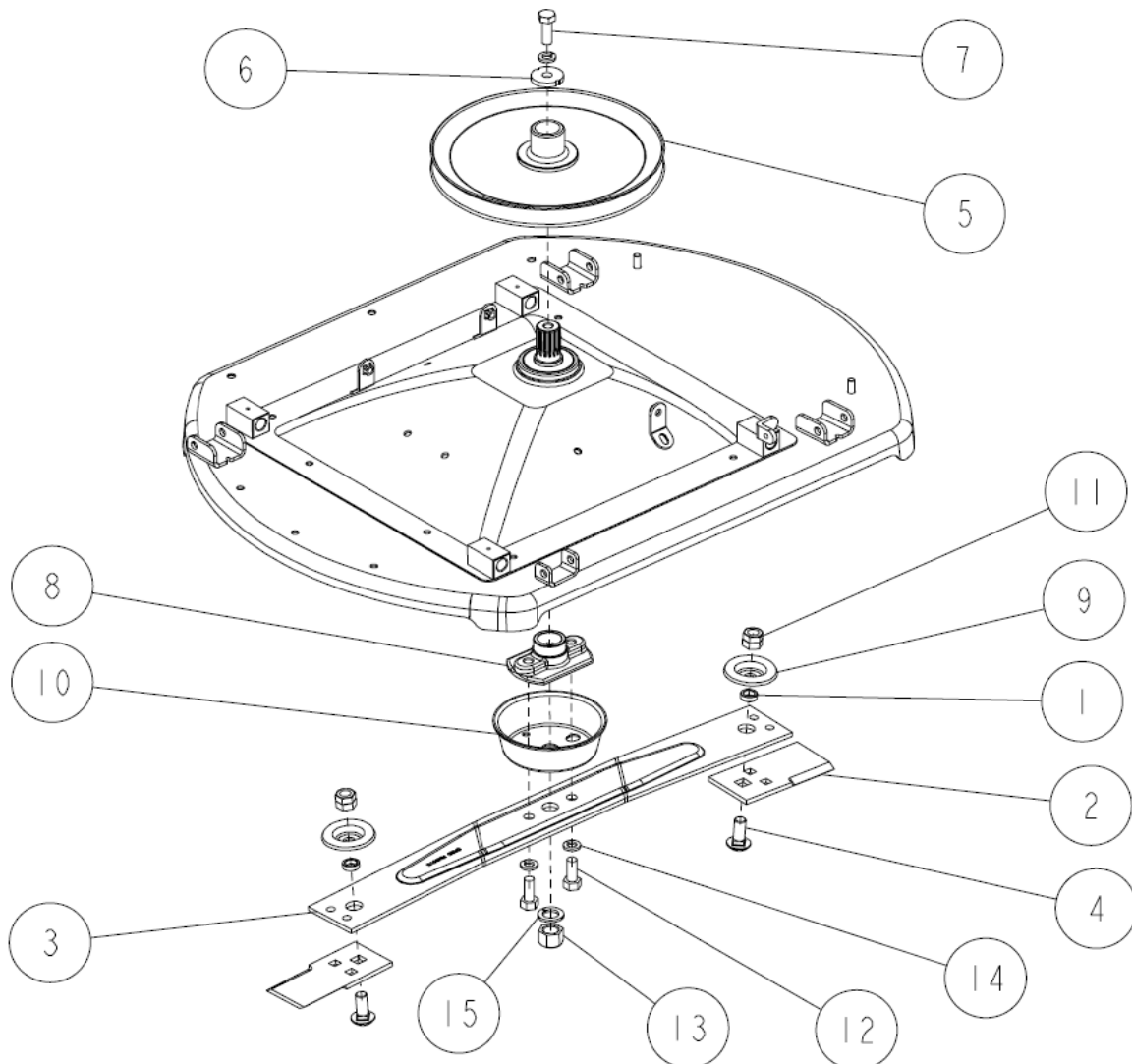
15	89-2191-100720	Round Head Pin 10*72	2	
14	89-2131-100002	Snap Pin 10	2	
13	89-1750-080002	Spring Washer 8	1	
12	89-1714-100002	Flat Washer 10	2	
11	89-1713-060002	Flat Washer 6 (large)	4	
10	89-1581-060042	Flange Cap Nut M6	4	
9	89-1561-080002	Mini Hexagonal U Nut M8	1	
8	89-1213-080202	Mini Hexagonal Bolt (8T) M8*20	1	
7	89-1137-060172	Hexagonal Bolt (PW) M6*17	4	
6	0284-96200	Right Cover CMP	1	
5	0284-51600	Side Flapper (Rear Right 88)	1	
4	0284-51500	Side Flapper (Front Right 88)	1	
3	0244-71600	Spring for Right Cover	1	
2	0221-52400	Right Cover Up/Down Arm	1	
1	80-1488-747-00	Bolt for Right Cover Up/Down Arm	1	
Ref.	Parts Number	Parts Name	Quantity	Remarks



2	89-1233-080162	Mini Hexagonal Bolt (PWSW) M8*16	3	
1	0284-86400	Knife Belt Cover CMP	1	
Ref.	Parts Number	Parts Name	Quantity	Remarks

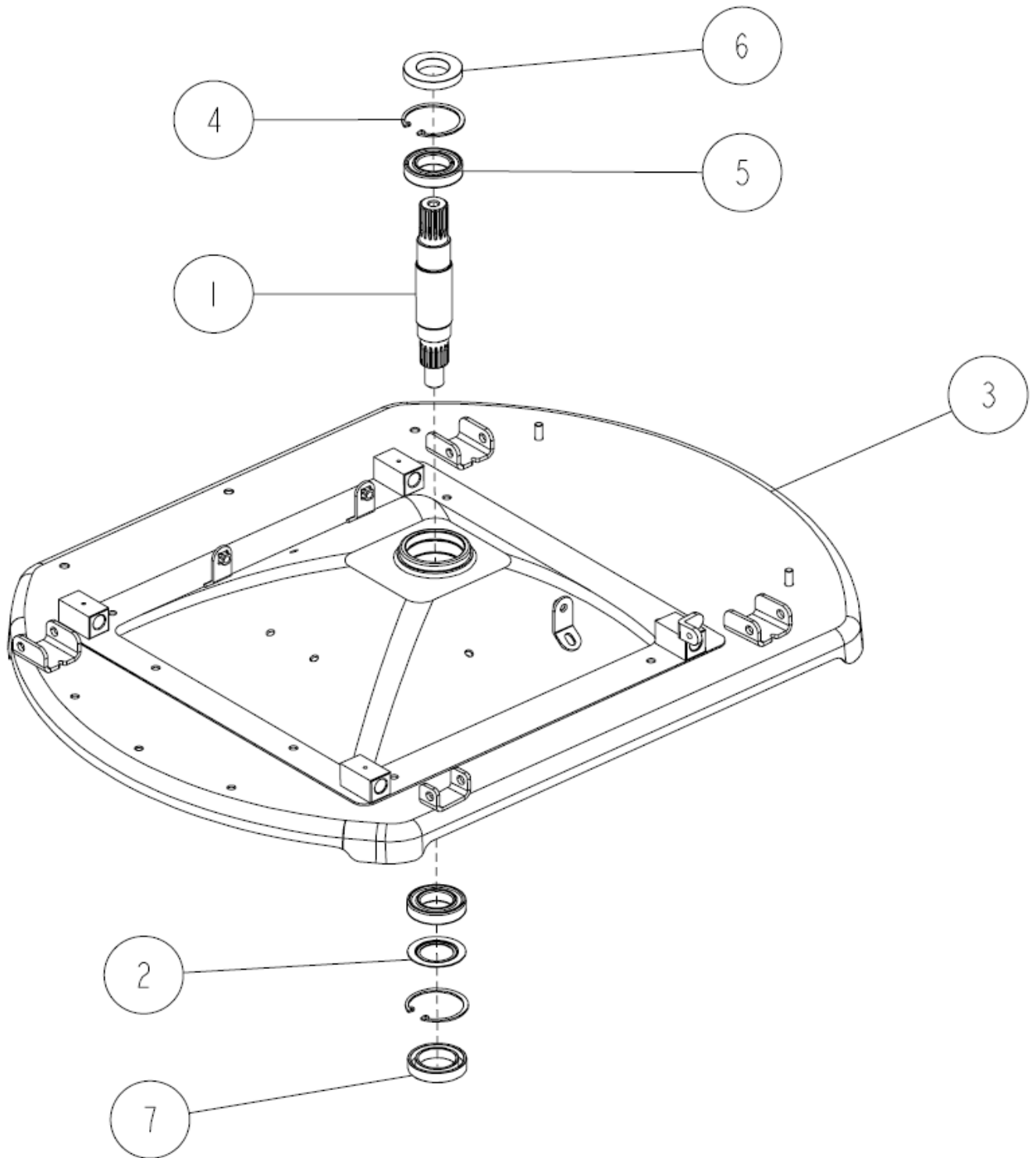


11	89-3510-012200	DU Bush 12.20	2	
10	89-2521-000100	E Type Ring 10	2	
9	89-1233-080202	Mini Hexagonal Bolt (PWSW) M8*20	2	
8	89-1137-060152	Hexagonal Bolt (PW) M6*15	2	
7	83-1754-329-00	Washer 13*22*1.0	1	
6	83-1565-329-00	Washer 13*22*2.3	4	
5	0207-52120	Knife Brake Bracket CMP (NEW)	1	
4	80-1792-988-00	Harness Clip 8	1	
3	80-1484-617-00	Knife Pulley Belt Holder	2	
2	80-1482-373-00	Brake Return Spring	1	
1	80-1482-371-30	Knife Brake (6t)	1	
Ref.	Parts Number	Parts Name	Quantity	Remarks



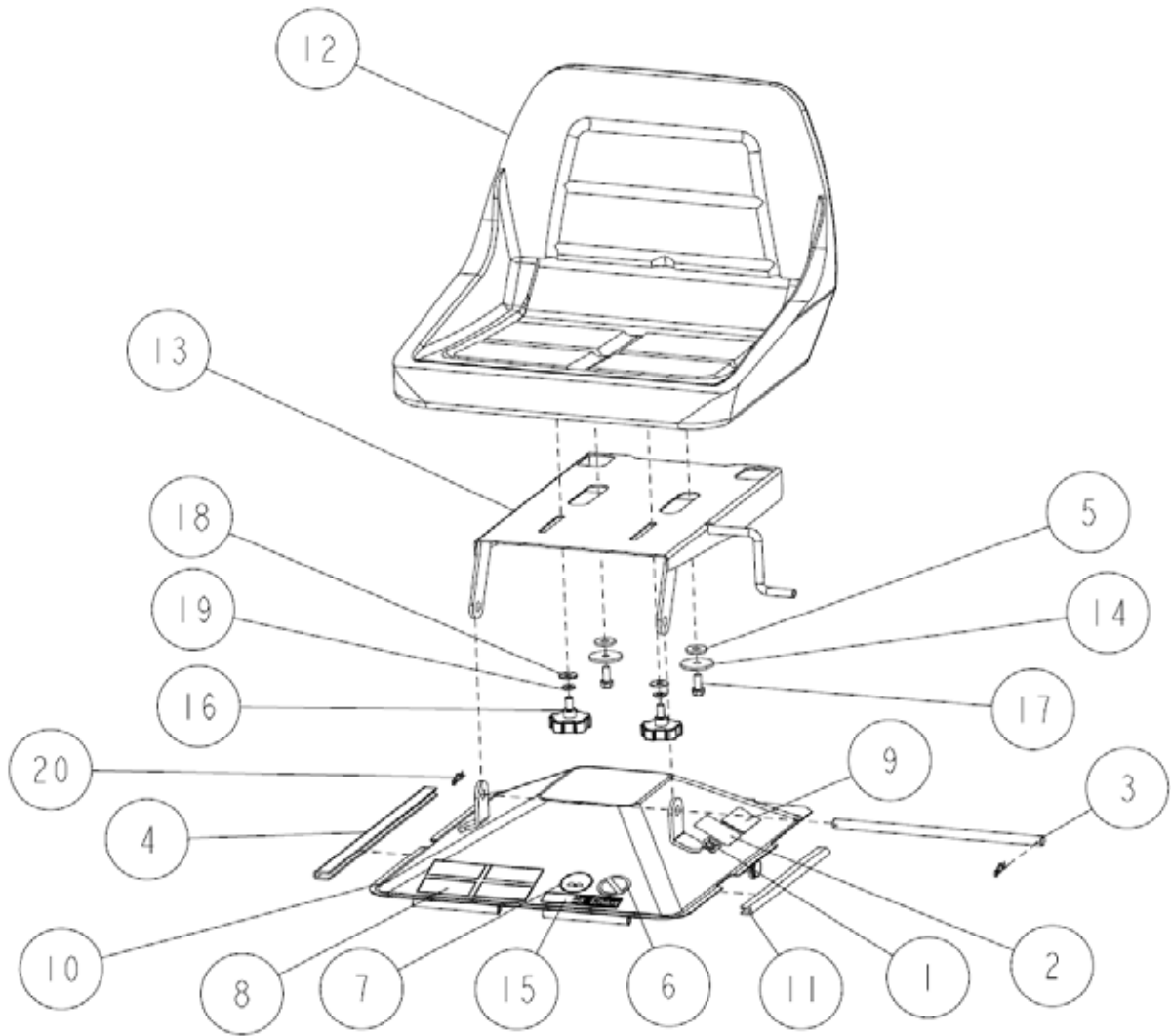
1.2.4.9.11	0244-78010	Knife & Blade Bolt Set RM85	(1)	No.4 / 4pcs including
4.9.11	0244-78210	Knife Setting Bolt Set M14	(2)	No.4 / 2pcs including
15	89-1750-200002	Spring Washer 20	1	
14	89-1750-120002	Spring Washer 12	3	
13	83-1483-175-00	Bag Nut M20 (Lock)	1	
12	83-1483-129-00	Mini Hexagonal Bolt (8T) M12*30	2	
11	0244-74600	Hard Lock Nut M14	2	
10	0244-52100	Knife Neck Guard	1	
9	0244-51800	Nut Guard 14	2	
8	0238-51100	Knife Bracket	1	
7	0221-76200	Mini Hexagonal Bolt (8T) M12*35	1	
6	0221-76100	Washer 12*40*6	1	
5	0207-50400	Knife Pulley CMP	1	
4	0207-50200	Knife Setting Bolt M14*34	2	
3	80-1493-A17-00	Knife Stay	1	
2	80-1483-821-00	Knife	2	
1	80-1483-818-00	Knife Collar	2	
Ref.	Parts Number	Parts Name	Quantity	Remarks



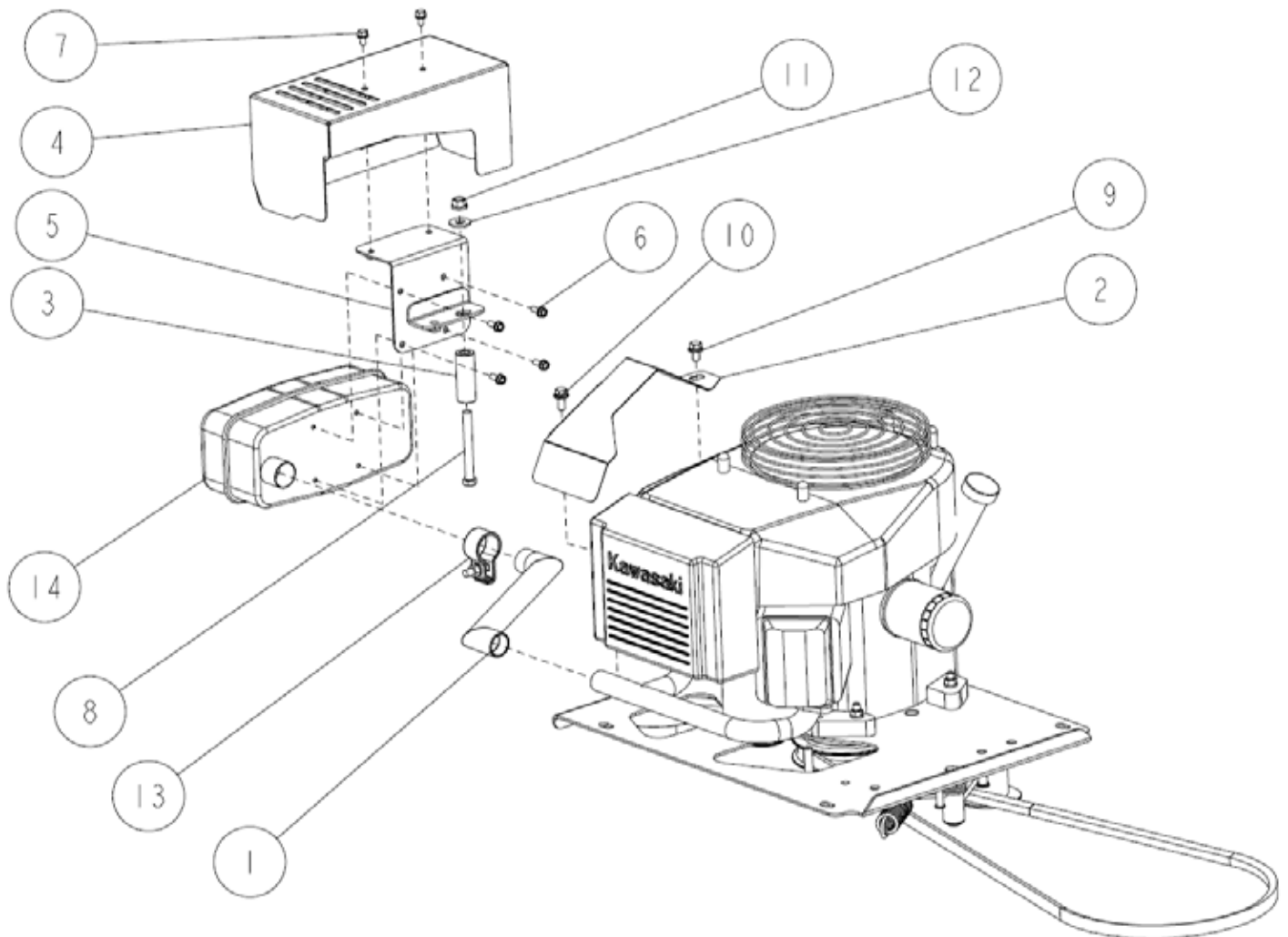


7	89-5121-406212	Oil Seal UE 40.62.12	1	
6	89-5121-356210	Oil Seal UE 35.62.10	1	
5	89-3115-069074	Bearing 6907 2RS	2	
4	89-2512-000620	Snap Ring (R62)	2	
3	0284-50100	Safety Cover CMP	1	
2	0262-50100	Dust Plate	1	
1	80-1493-641-00	Vertical Shaft	1	
Ref.	Parts Number	Parts Name	Quantity	Remarks

41/45 SEAT 1/1

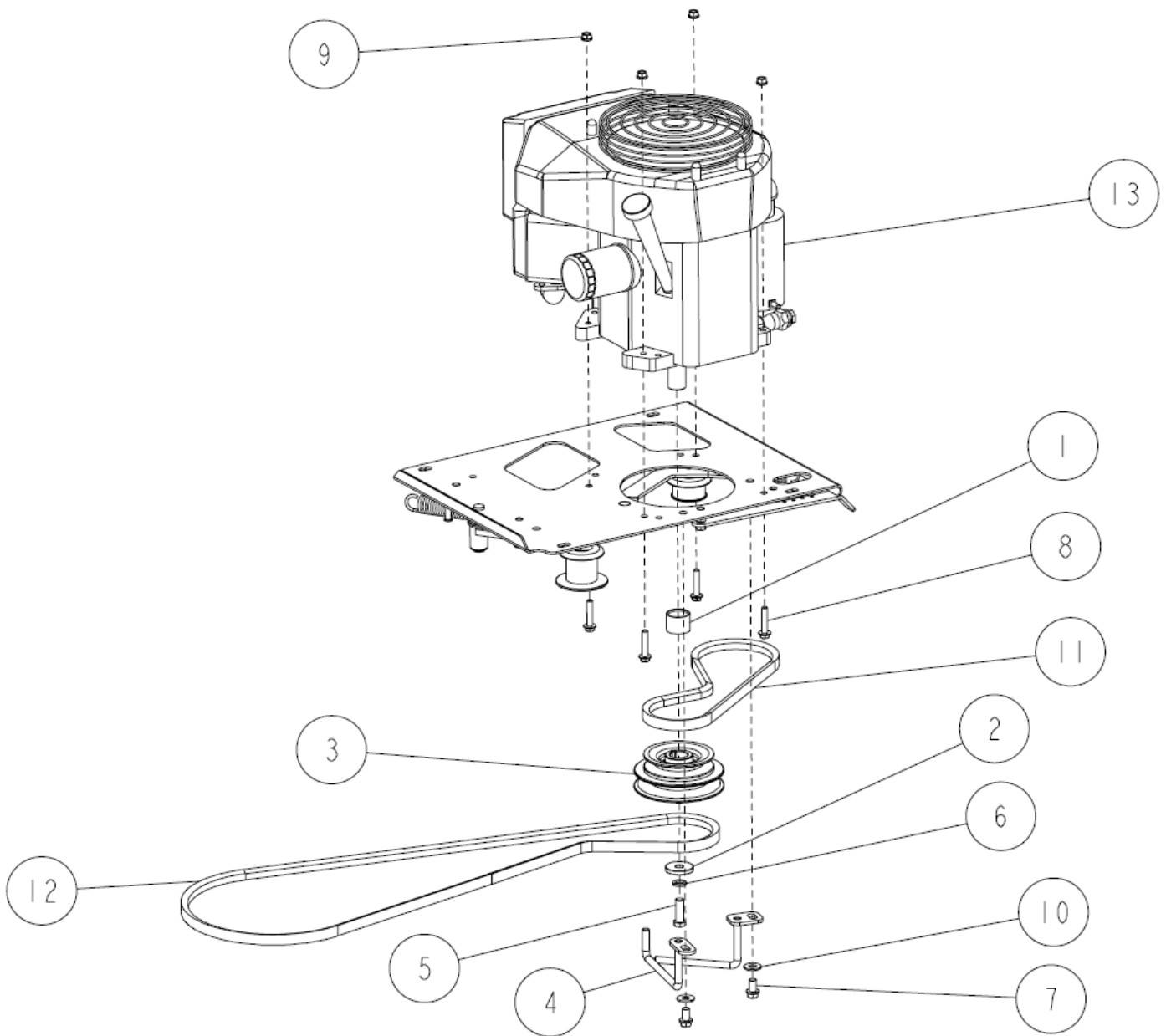


20	89-2131-120002	Snap Pin 12	2	
19	89-1750-080002	Spring Washer 8	2	
18	89-1713-080002	Flat Washer 8 (large)	2	
17	89-1232-080202	Mini Hexagonal Bolt (SW) M8*20	2	
16	83-1560-101-00	Knob Bolt M8*15	2	
15	83-1310-902-00	OREC Mark	1	
14	83-1020-314-00	Washer 8*40*2.3	2	
13	0284-95400	Seat Receiver CMP (RM88)	1	
12	0284-78100	Seat K4 (Black)	1	
11	0284-72200	Seat Trim (L) 15×L250	1	
10	0284-21200	Seat Blacket CMP	1	
9	-	Serial Number	1	
8	0223-76100	Label, Caution (Large)	1	
7	0215-83200	Label, Protection Equipment	1	
6	0215-83100	Attention Mark for Slope	1	
5	0207-76400	Washer 9*25*3.2	2	
4	0207-76100	Trim 15*350	1	
3	80-1481-487-00	Seat Receive Pin	1	
2	80-1020-932-00	Label, Noise 100db	1	
1	80-1010-933-00	Label, CE	1	
Ref.	Parts Number	Parts Name	Quantity	Remarks

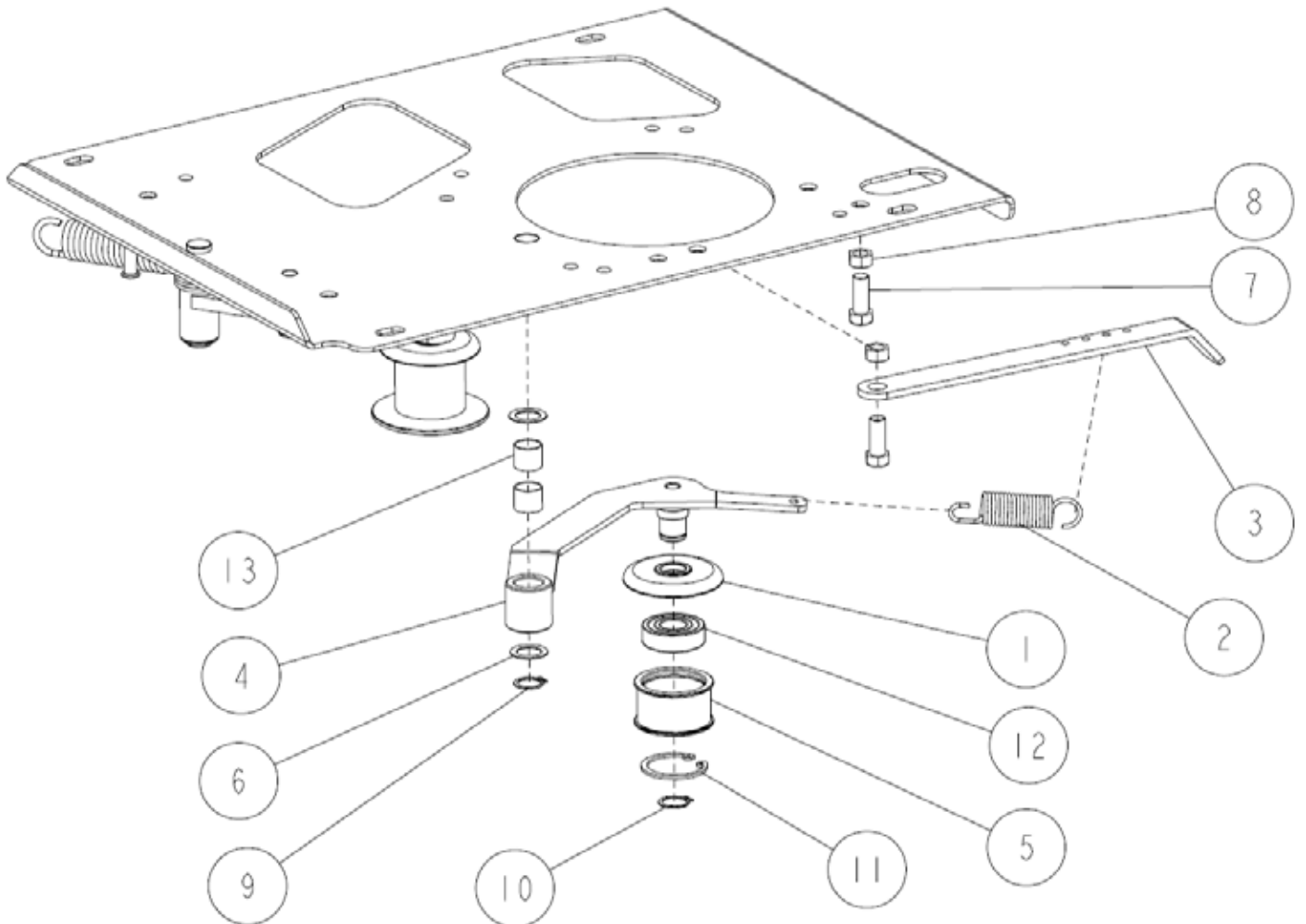


14	Engine Parts	Muffler	1	
13	Engine Parts	Muffler Clamp	1	
12	89-1713-100002	Flat Washer 10 (large)	1	
11	89-1543-100002	Mini Hexagonal Nut (SW) M10	1	
10	89-1233-080202	Mini Hexagonal Bolt (PWSW) M8*20	1	
9	89-1233-080162	Mini Hexagonal Bolt (PWSW) M8*16	1	
8	89-1211-100852	Mini Hexagonal Bolt M10*85	1	
7	89-1132-060122	Hexagonal Bolt (SW) M6*12	2	
6	88-690297	Flange Mini Hexagonal Bolt 3/8-15	4	
5	0284-95800	Muffler Fixing Plate CMP (RM88/K)	1	
4	0284-86200	Muffler Cover	1	
3	0284-60300	Muffler Fixing Pipe (60L)	1	
2	0284-60200	Exhaust Cover (RM88/K)	1	
1	0238-40200	Exhaust Adapter CMP	1	
Ref.	Parts Number	Parts Name	Quantity	Remarks

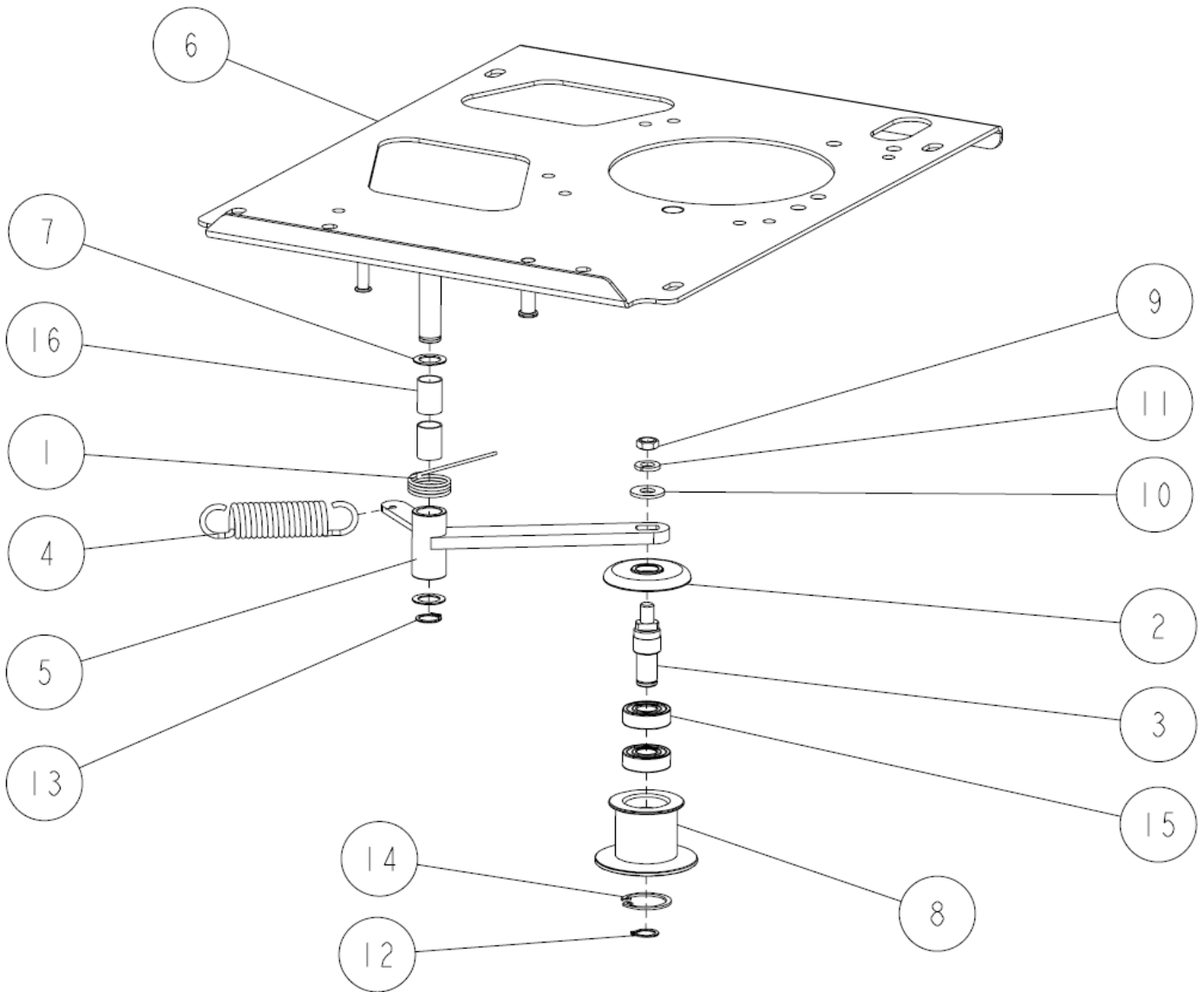
**43/45 ENGINE 2/4**



13	-	Kawasaki FH480V-BG80	1	
12	89-6123-007503	V Belt LB-75 (SG1000)	1	
11	89-6123-003103	V Belt LB-31 (SG1000)	1	
10	89-1713-100002	Flat Washer 10 (large)	2	
9	89-1543-080002	Mini Hexagonal Nut (SW) M8	4	
8	89-1253-080402	Flange Mini Hexagonal Bolt (8T) M8*40	4	
7	89-1232-100202	Mini Hexagonal Bolt (SW) M10*20	2	
6	83-1493-300-00	Spring Washer 7/16	1	
5	83-1437-115-00	Hexagonal Bolt (8T) UNF7/16*35	1	
4	0207-41310	Knife Belt Holder (Engine) CMP	1	
3	0207-40110	Engine Pulley	1	
2	80-1487-516-00	Washer 11*40*6	1	
1	80-1485-513-00	Engine Collar 26	1	
Ref.	Parts Number	Parts Name	Quantity	Remarks



13	89-3510-016150	DU Bush 16.15	2	
12	89-3115-062034	Bearing 6203 2RS	1	
11	89-2512-000400	Snap Ring (R40)	1	
10	89-2511-000170	Snap Ring (S17)	1	
9	89-2511-000160	Snap Ring (S16)	1	
8	89-1611-100042	Mini Hexagonal Nut M10	2	
7	89-1211-100252	Mini Hexagonal Bolt M10*25	2	
6	83-1020-363-00	Thrust Washer 16*24*1.0	2	
5	0284-40300	Tension Pulley	1	
4	0207-42100	Drive Tension Arm CMP	1	
3	0207-41100	Drive Tension Spring Arm	1	
2	80-1485-551-00	Driving Tension Spring	1	
1	80-1482-549-00	Rubber Cover 58	1	
Ref.	Parts Number	Parts Name	Quantity	Remarks



16	89-3510-016250	DU Bush 16.25	2	
15	89-3115-062024	Bearing 6202 2RS	2	
14	89-2512-000350	Snap Ring (R35)	1	
13	89-2511-000160	Snap Ring (S16)	1	
12	89-2511-000150	Snap Ring (S15)	1	
11	89-1750-100002	Spring Washer 10	1	
10	89-1713-100002	Flat Washer 10 (large)	1	
9	89-1613-100042	Mini Hexagonal Nut (3 sorts) M10	1	
8	83-1483-782-10	Knife Tension Pulley	1	
7	83-1020-363-00	Thrust Washer 16*24*1.0	2	
6	0284-86700	Engine Base CMP(88ET)	1	
5	0284-40100	Knife Tension Arm CMP	1	
4	0207-78400	Spring For Knife Tension Return	1	
3	0207-43100	Knife Tension Pulley Shaft	1	
2	80-1482-549-00	Rubber Cover 58	1	
1	80-1481-568-00	Knife Tension Return Spring $\phi$ 26.7	1	
Ref.	Parts Number	Parts Name	Quantity	Remarks