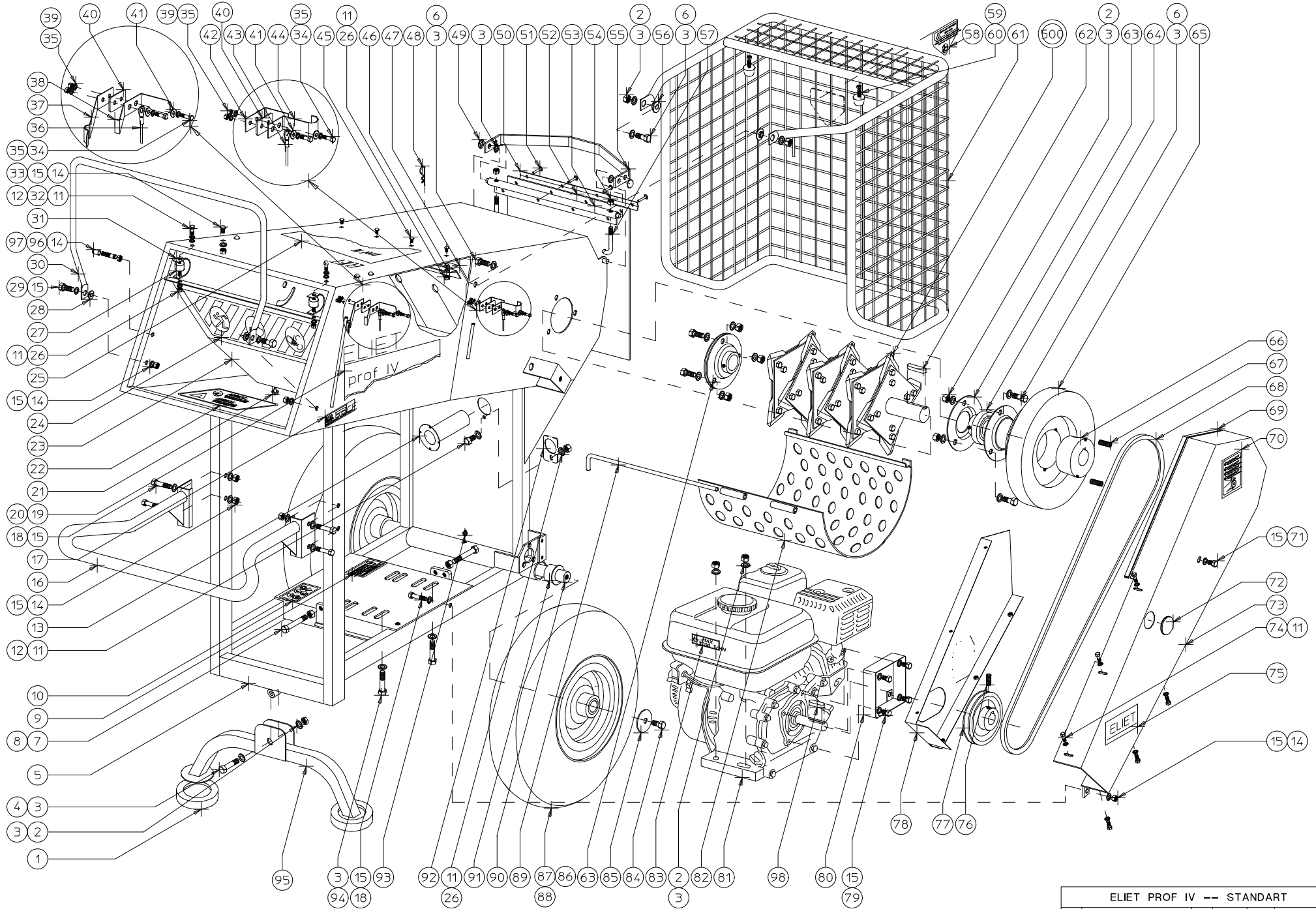


ELIET PROF IV -- GENERAL						
NO	MMA 01 050 100	REV	1	DATE	2009/11/27	

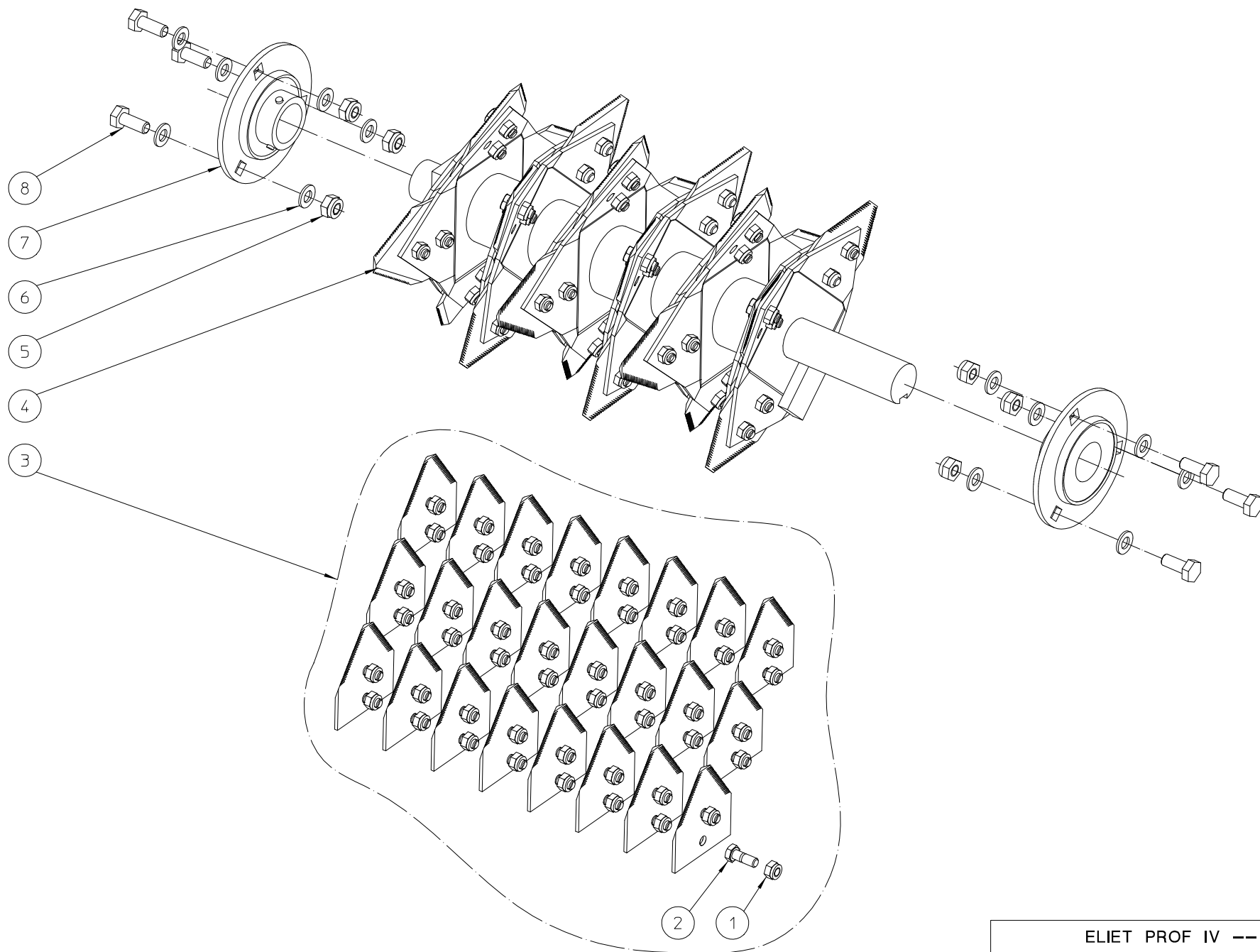
#	Order nr	article description	quantity
110	MMA 01 050 110	general assembly machine	1
140	MMA 01 050 140	rotor	1
150	MMA 01 050 150	accessories	1



ELIET PROF IV -- STANDART					
NO	MMA 01 050 110	REV	1	DATE	2009/11/26

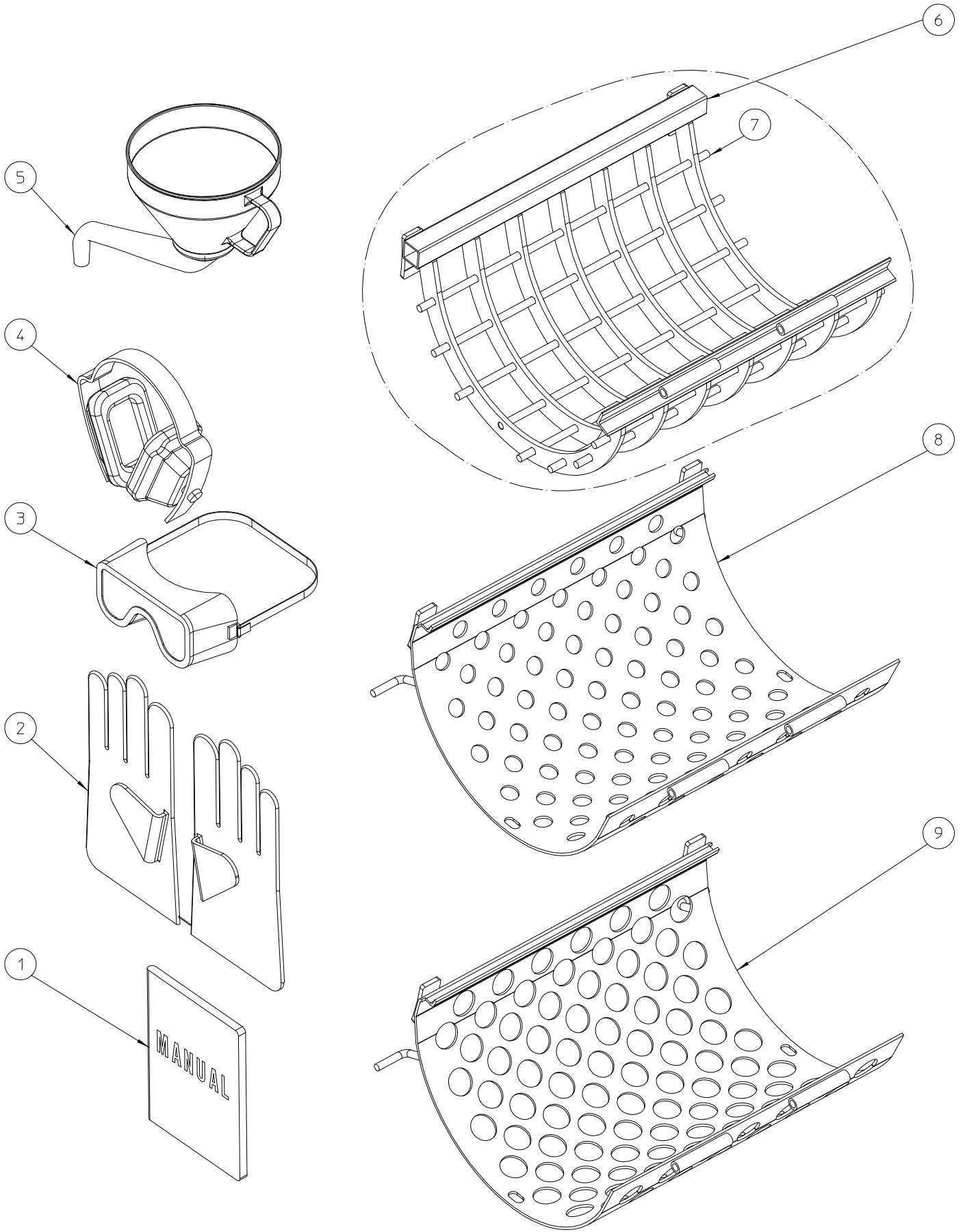
#	Order nr	article description	quantity
1	BR 900 000 110	rubber socks dia 90x18mm	2
2	BS 502 001 000	self locking nut m10 din 985	13
3	BS 531 001 000	washer m10 din 125	26
4	BS 511 001 043	bolt m10x55 din931	1
5	MPA 01 050 010	chassis	1
6	BS 512 001 025	bolt m10x25 din 933	8
7	BS 501 001 000	nut m10 din 934	2
8	BS 512 001 048	bolt m10x80 din 933	2
9	BQ 505 010 040	safety sticker 60x100 (spark plug)	1
10	BQ 505 010 050	safety sticker 60x100 (pictogram)	1
11	BS 531 000 600	washer m6 din 125	16
12	BS 512 000 616	bolt m6x16 din 933	3
13	MPA 01 050 180	muffler pipe	1
14	BS 502 000 800	self locking nut m8 din 985	11
15	BS 531 000 800	washer m8 din 125	23
16	MPA 01 050 060	handlebars	1
17	BQ 505 010 010	identity sticker ce 120x30	0
18	BS 511 000 842	bolt m8x50 din 931	5
19	BQ 501 050 020	sticker eliet prof iv (r)	1
20	BQ 501 050 010	sticker eliet prof iv (l)	1
21	BR 602 006 151	rubber bumper	2
22	BQ 505 010 110	safety sticker 190x125 (in feed)	1
23	MPA 01 050 090	anti projection shield	1
24	BQ 505 010 100	safety sticker 465x200 (shield)	1
25	BQ 501 050 050	sticker eliet prof iv (u)	1
26	BS 502 000 600	self locking nut m6 din 985	7
27	BR 600 220 150	antivibration blocks 20x15b m6x15	2
28	BR 112 080 300	nylon bushing with collar (8.2/10.9/18x3.5/1.5)	2
29	BS 512 000 820	bolt m8x20 din 933	2
30	MPA 01 050 070	safety handle	1
31	BR 910 000 020	retainer ertalon 80x20x2	2
32	BS 534 000 600	lock washer m6 din 6798a	2
33	BS 554 100 816	bolt m8x16 din 603	4
34	BS 512 000 416	bolt m4x16 din 933	4
35	BS 531 000 400	washer m4 din 125	8
36	BE 090 230 701	red wire 1.5 ce 70	1
37	BV 901 000 030	front safety switch (handle) part 2	1
38	BV 901 000 020	front safety switch (handle) part 1	1
39	BS 502 000 400	self locking nut m4 din 985	4
40	BR 737 010 010	isolating plate pvc 36x23x2	2
41	BR 112 060 300	nylon bushing with collar (4.2/5.9/10x3/1.3)	4
42	BV 901 000 050	rear safety switch (earth) part 2	1
43	BE 090 232 101	red wire 1.5 ce 210	1
44	BV 901 000 040	rear safety switch (earth) part 1	1
45	BS 554 100 616	bolt m6x16 din 603	4
46	MPA 01 050 100	retainer for rubber flap (inside)	1
47	BR 900 001 230	rubber anti projection flap (inside)	1
48	BB 040 102 040	hairpin cotter 2mm din 11024	1
49	BB 011 000 090	starlock 9mm	2
50	MPA 01 050 110	retainer for rubber flap (rear)	1
51	BB 221 105 160	pop plug alu 4.8x16 din 7337 a	4
52	BR 900 001 040	rubber anti projection flap	1

53	MPA 01 050 120	rapid fastener for grating	1
54	BS 501 000 800	nut m8 din 934	2
55	MPA 01 050 130	electromotor	1
56	BR 112 100 600	nylon bushing with collar (10/13.5/25x6/2.5)	2
57	MPA 01 070 400	hook for rapid fastener	2
58	BQ 505 010 070	safety sticker 100x80 (hand cuts)	1
59	BS 501 000 600	nut m6 din 934	2
60	BR 600 425 170	antivibration blocks 25x17b m6x18	2
61	MPA 01 050 050	safety guard	1
62	BB 341 100 850	key 10x8x50 din 6880	1
63	BL 711 503 501	flange for bearing	2
64	BL 513 507 203	bearing as 207	2
65	BA 565 717 001	pulley with flywheel spa 170 tl 2517	1
66	BB 501 163 500	taper lock tl 2517-35	1
67	BB 501 313 250	set screw 1/2"x1"	2
68	BA 521 218 000	belt xpa 1800	1
69	BR 000 911 000	rubber u-moulding 1000mm	1
70	BQ 505 010 130	safety sticker 100x80 (belt transmission)	1
71	BS 512 000 816	bolt m8x16 din 933	1
72	BR 500 103 800	rubber plug 42x38x1.6	1
73	MPA 01 050 030	transmission guard (outside)	1
74	BS 512 000 612	bolt m6x12 din 933	6
75	BQ 501 010 020	sticker eliet 130x60	1
76	BS 023 000 810	set screw m8x10 din 916	2
77	BA 565 711 201	pulley spa 112 (engine)	1
78	MPA 01 050 040	transmission guard (inside)	1
79	BS 511 041 019	bolt unf 3/8"x3/4"	4
80	MPA 01 050 140	protection guard crankshaft	1
81	BM 202 113 000	honda gx 390	1
82	MPA 01 050 020	standard grating 25mm	1
83	BQ 505 010 030	sticker max 3200 rpm 90x25	1
84	BS 512 001 016	bolt m10x16 din 933	2
85	BS 532 010 406	washer m10x40x3	2
86	BW 914 500 020	tire 5.00-8	2
87	BW 914 500 030	tube 5.00-8	2
88	BW 708 025 050	rim 3.00x8	2
89	MPA 01 050 150	locking rod for grating	1
90	MPA 01 050 160	wheel shaft	1
91	BR 112 263 000	nylon bushing with collar (26/42/48x30/2)	2
92	MPA 01 050 170	bracket for muffler extension pipe	1
93	BY 100 106 100	grease fitting m6 din 71412	1
94	BS 511 001 041	bolt m10x45 din 931	4
95	MPA 01 050 080	foot	1
96	BS 581 000 805	stud m8x50 din 975	1
97	BR 020 608 150	plastic cap 8x15	1
98	BB 342 060 635	key 6.35x6.35x35 din 6880	1



ELIET PROF IV -- ROTOR					
NO	MMA 01 050 140	REV	1	DATE	2010/10/06

#	Order nr	article description	quantity
1	MPA 01 050 500	rotor	1
2	BS 502 000 800	self locking nut m8 din 985	0
3	BS 011 000 822	bolt m8x22 din 931	0
4	BU 401 200 303	set of knives (24)	1



ELIET PROF IV -- ACCESSOIRES ET OPTIONS

NO	MMA 01 050 150	REV	1	DATE	2010/08/19
----	----------------	-----	---	------	------------

#	Order nr	article description	quantity
1	BZ 201 050 010	manual prof iv	1
2	BQ 710 050 000	gloves	1
3	BQ 720 050 000	goggles	1
4	BQ 700 050 000	hearing protectors	1
5	BG 900 010 502	funnel	1
6	MA 004 001 001	grating for leaves	1
7	MPA 01 050 560	rod for grating for leaves	0
8	MA 004 001 002	grating Ø20mm	1
9	MA 004 001 003	grating Ø30mm	1