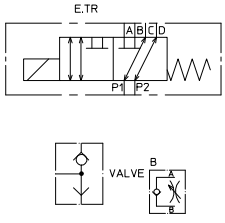
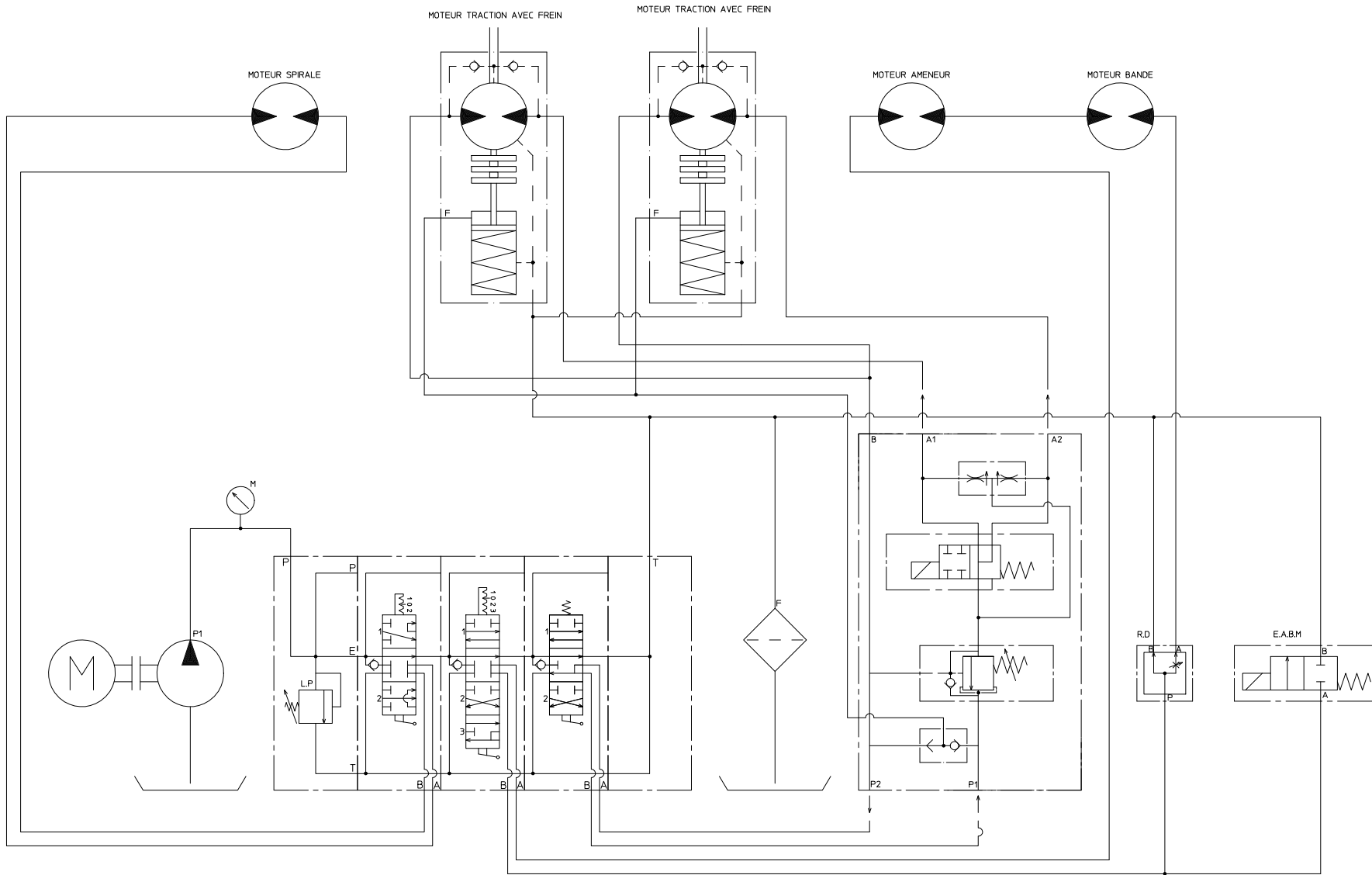


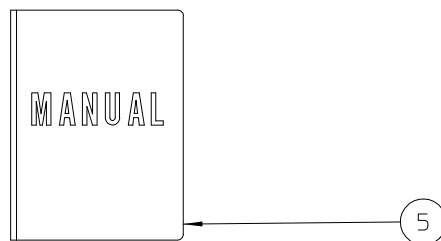
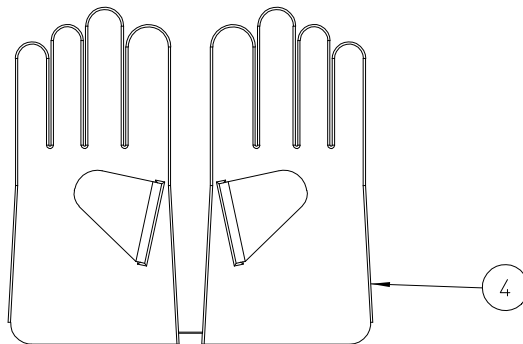
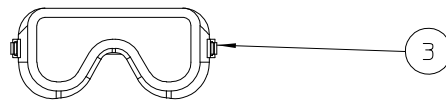
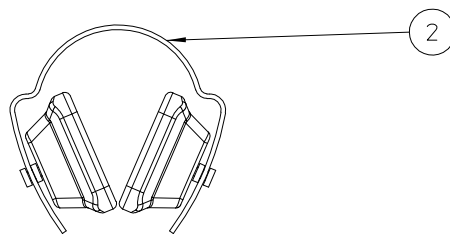
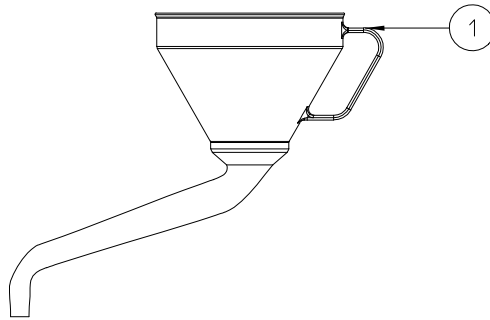
ASS.MEGA-PROF					
NO	MMA-01.260.100	REV	3	DATE	2009/04/02

#	Order nr	article description	quantity
0	BH 900 260 020	hydraulic scheme	0
1	MMA 01 260 300	accessories	1
2	MMA 01 260 220	output chute 1500mm	1
3	MMA 01 260 150	rotor	1
4	MMA 01 260 140	in feed roller	1
5	MMA 01 260 170	engine	1
6	MMA 01 260 130	feeding conveyor	1
7	MMA 01 260 200	side covers	1
8	MMA 01 260 190	electrics	1
9	MMA 01 260 180	hydraulics	1
10	MMA 01 260 120	steering unit - tank	1
11	MMA 01 260 160	wheel drive	1
12	MMA 01 260 210	collector	1
13	MMA 01 260 110	rear chassis	1



HYDRAULIC DRAW MEGA-PROF-2008						
NO	BH 900 260 020	REV	2008	DATE	2008/01/30	

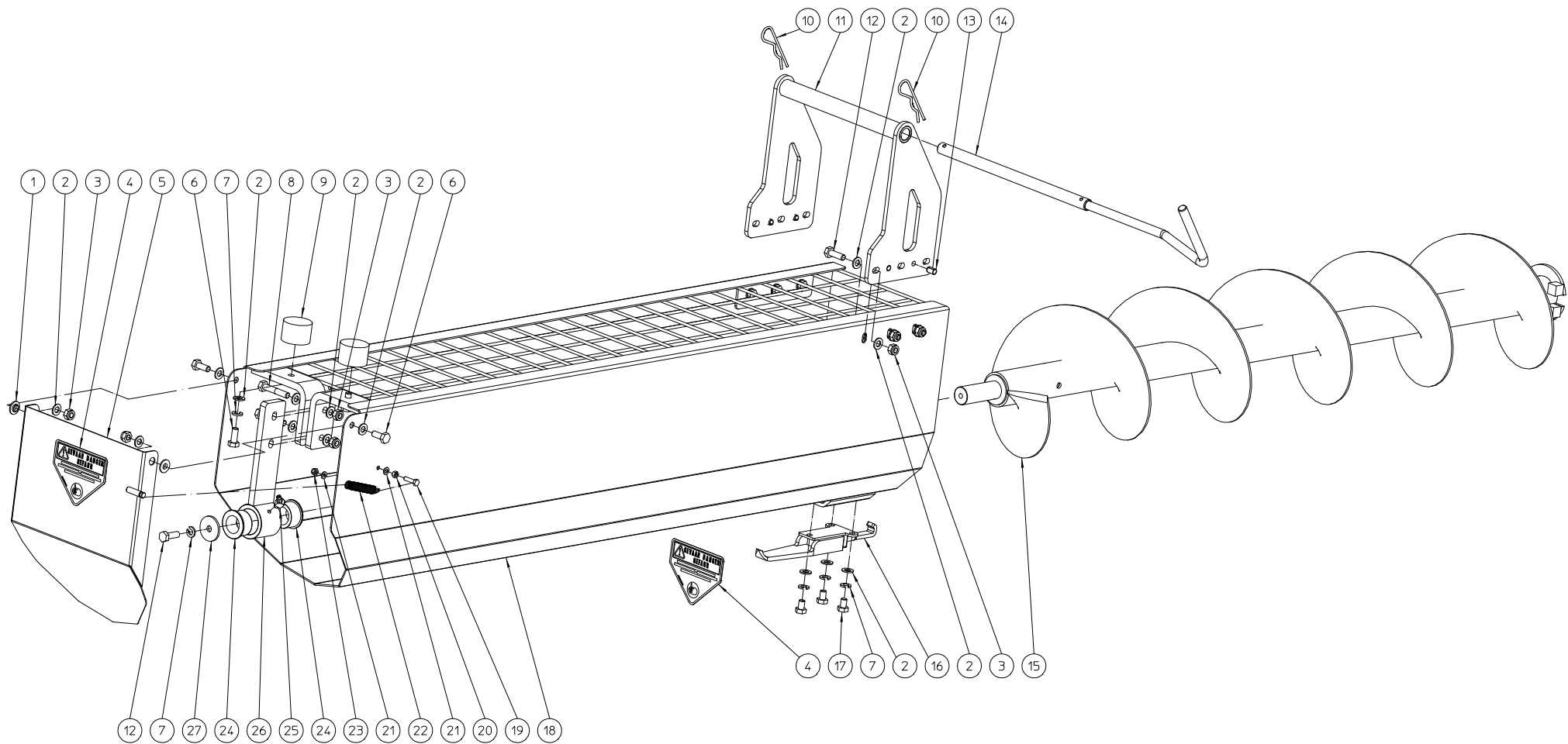
#	Order nr	article description	quantity
0	BH 900 260 020	hydraulic scheme	0



ELIET MEGA-PROF -- ACCESSORIES

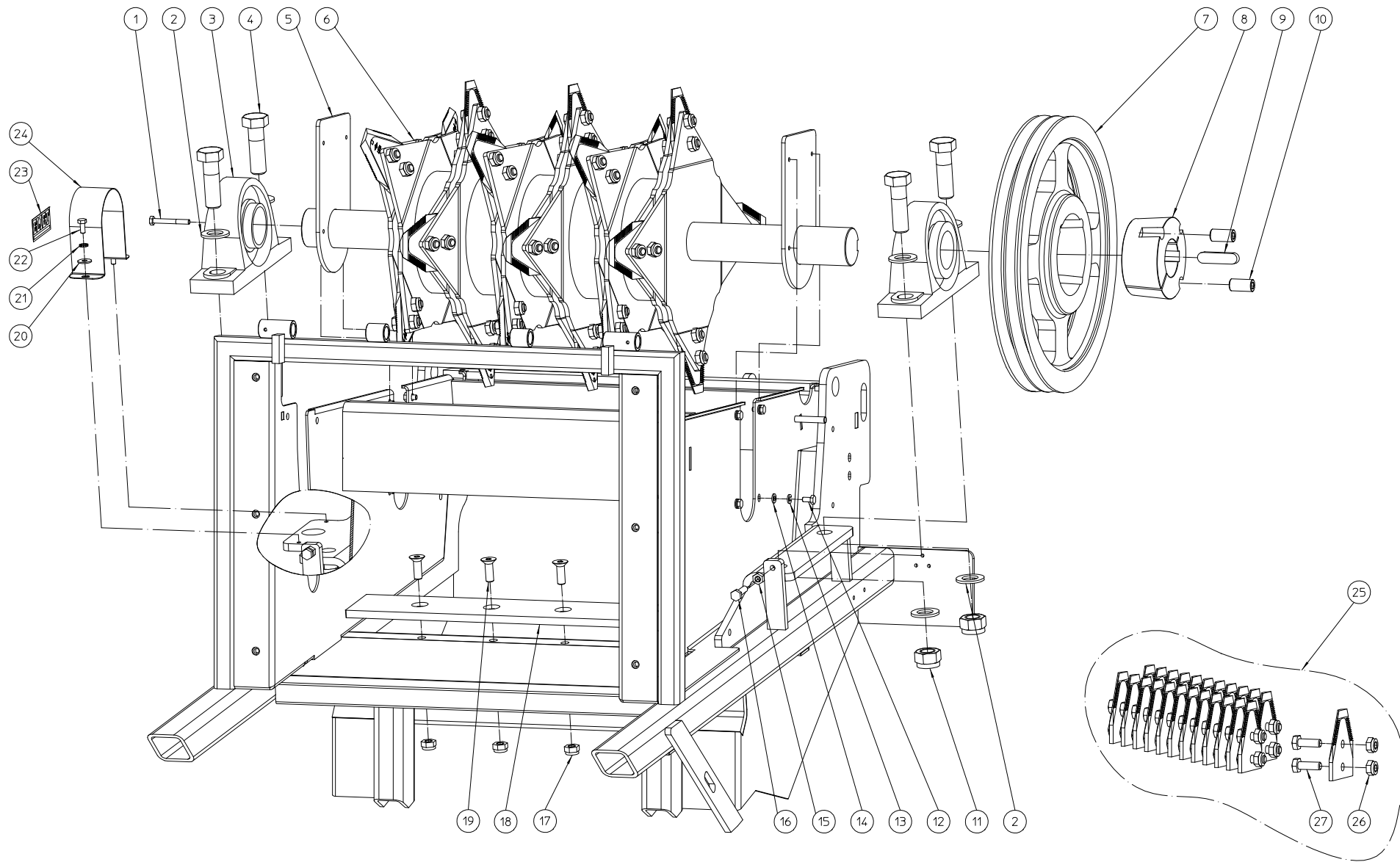
NO	MMA-01.260.300	REV	1	DATE	2009/04/03
----	----------------	-----	---	------	------------

#	Order nr	article description	quantity
1	BG 900 010 502	funnel	1
2	BQ 700 050 000	hearing protectors	1
3	BQ 720 050 000	goggles	1
4	BQ 710 050 000	gloves	1
5	BZ 201 260 010	manual mega prof	1



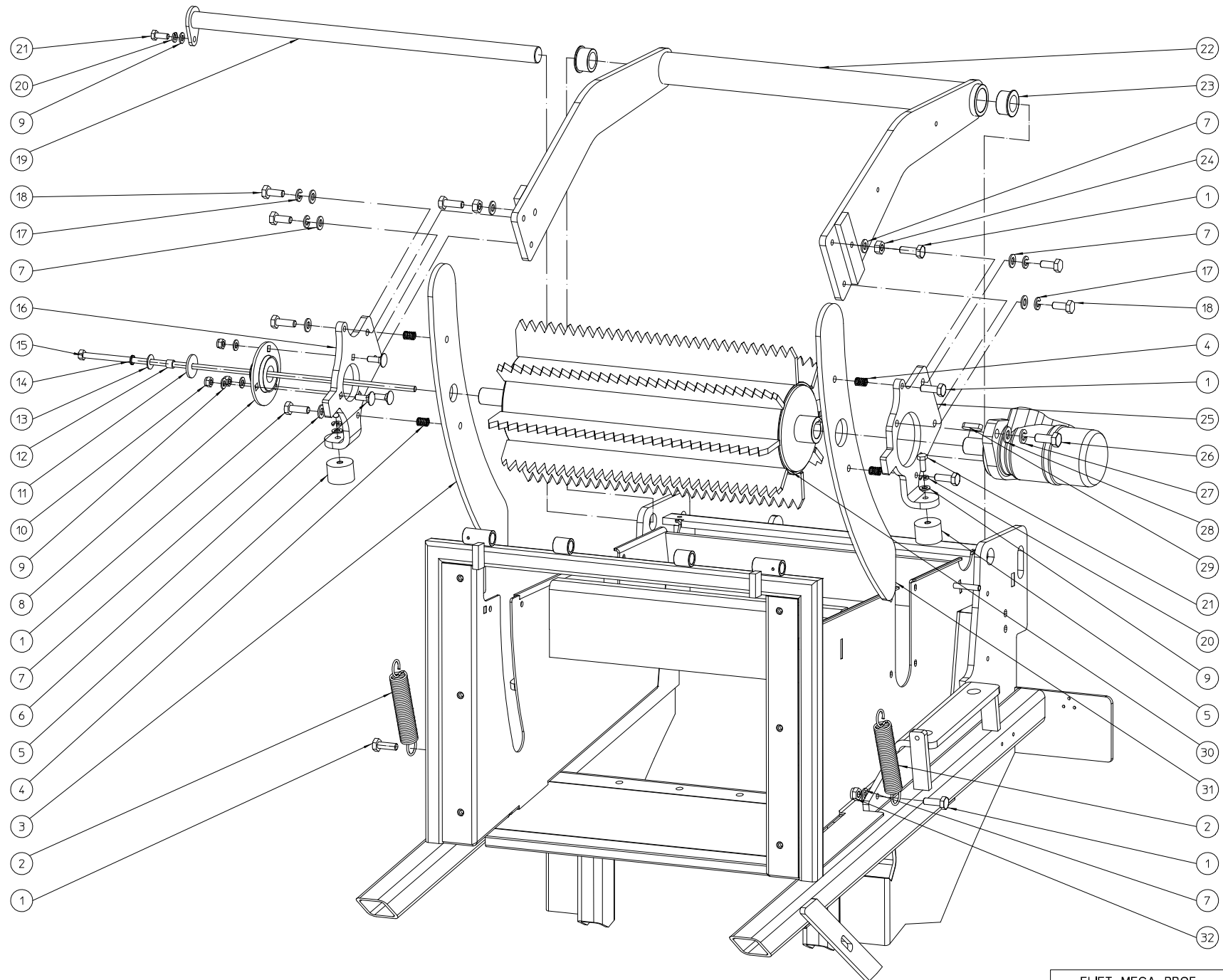
#	Order nr	article description	quantity
1	BR 112 080 300	nylon bushing with collar (8.2/10.9/18x3.5/1.5)	2
2	BS 531 000 800	washer m8 din 125	25
3	BS 502 000 800	self locking nut m8 din 985	10
4	BQ 505 010 070	safety sticker 100x80 (hand cuts)	2
5	MPA 01 262 270	safety flap	1
6	BS 512 000 820	bolt m8x20 din 933	4
7	BS 533 000 800	lock washer m8 din 127b	6
8	BS 511 000 841	bolt m8x45 din 931	2
9	BR 600 240 280	rubber bumper	2
10	BB 040 103 060	hairpin cotter 3mm din 11024	2
11	MPA 01 260 350	hinge	1
12	BS 512 000 825	bolt m8x25 din 933	7
13	BB 122 080 120	locking 8x12 din 1481	4
14	MPA 01 261 100	axle	1
15	MPA 01 260 380	conveyor screw	1
16	BO 160 020 350	latch hook	1
17	BS 512 000 812	bolt m8x12 din 933	3
18	MPA 01 261 580	output deflector	1
19	BS 512 000 520	bolt m5x20 din 933	1
20	BS 501 000 500	nut m5 din 934	1
21	BS 531 000 500	washer m5 din 125	2
22	BV 011 011 007	spring 1x10x70	1
23	BS 502 000 500	self locking nut m5 din 985	1
24	BR 112 262 110	nylon bushing with collar (26/35.5/40x21/2)	2
25	BY 100 106 200	grease fitting m6 45° din 71412	1
26	MPA 01 260 330	support screw	1
27	BS 532 008 356	washer m8x35x3	1





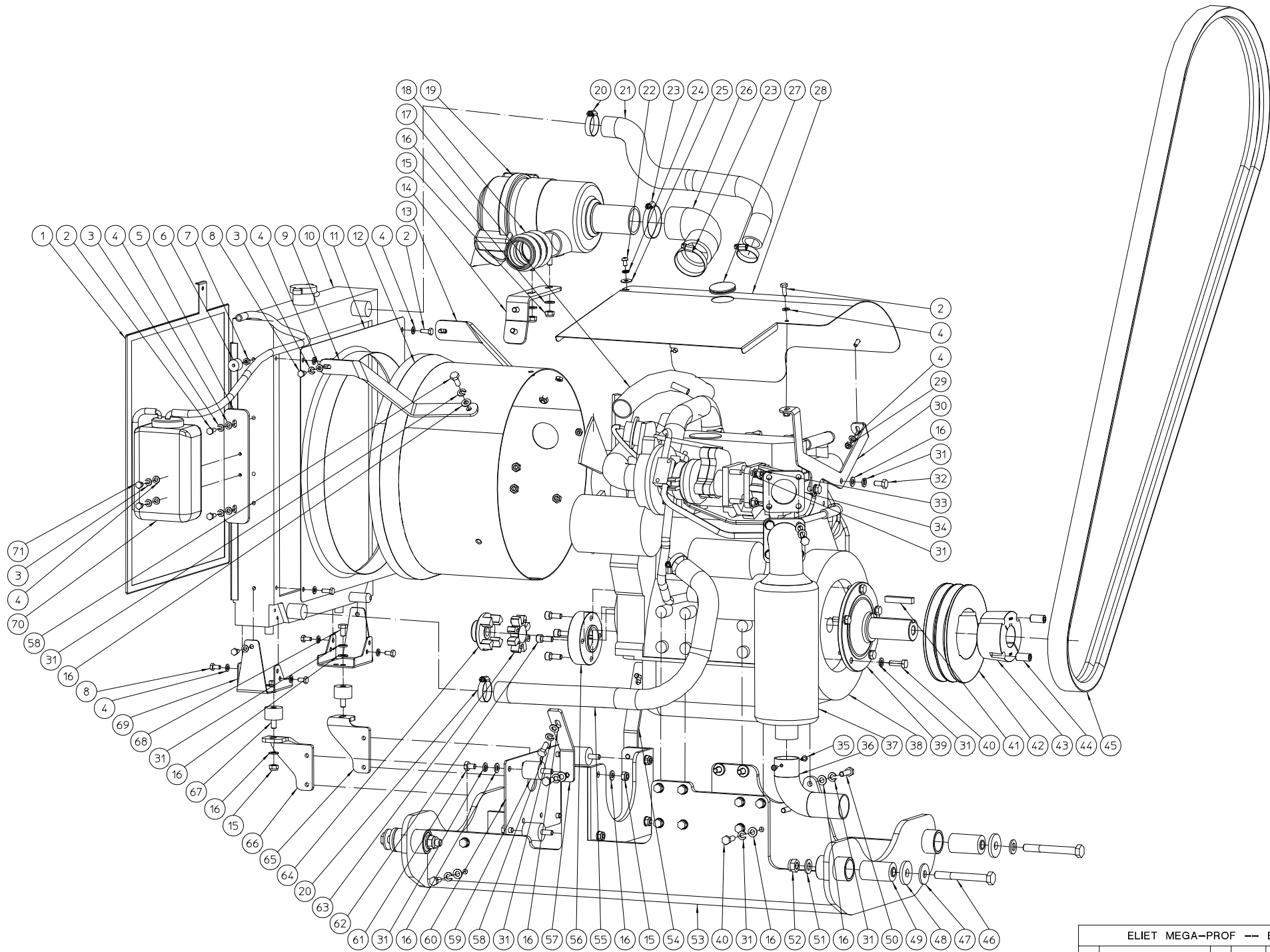
ELIET MEGA-PROF -- ROTOR				
NO	MMA-01.260.150	REV	3	DATE 2009/04/14

#	Order nr	article description	quantity
1	BS 511 000 642	bolt m6x50 din 931	1
2	BS 531 002 000	washer m20 din 125	8
3	BL 802 105 000	bearing assembly ukp211+h2311	2
4	BS 511 002 045	bolt m20x65 din 931	4
5	MPA 01 261 530	cover	2
6	MPA 01 260 230	rotor	1
7	BA 563 735 520	pulley spb ii 355 tl 3020	1
8	BB 501 175 000	taper lock tl 3020-50	1
9	BB 351 140 955	key 14x9x55 din 6885a	1
10	BB 501 316 320	setscrew 5/8"x1 1/4"	2
11	BS 502 002 000	self locking nut m20 din 985	4
12	BS 512 000 612	bolt m6x12 din 933	8
13	BS 533 000 600	lock washer m6 din 127b	8
14	BS 531 000 600	washer m6 din 125	8
15	BS 501 000 800	nut m8 din 934	2
16	BS 512 000 830	bolt m8x30 din 933	2
17	BS 502 001 000	self locking nut m10 din 985	4
18	MPA 01 260 620	anvil	1
19	BS 522 101 030	screw m10x30 din 7991	4
20	BS 532 006 183	washer m6x18x1.5	2
21	BS 534 000 600	lock washer m6 din 6798a	2
22	BS 512 000 614	bolt m6x14 din 933	2
23	BQ 501 010 010	sticker eliet 65x30	1
24	MPA 01 262 290	cover sensor	1
25	BU 401 300 901	set of knives resist (24)	1
26	BS 502 001 011	self locking nut m10x1.25 gr.10 din 985	0
27	BS 012 401 030	bolt m10x1,5x30 gr.10 din 961	0



ELIET MEGA-PROF -- INFEDROLLER				
NO	MMA-01.260.140	REV	3	DATE 2009/03/04

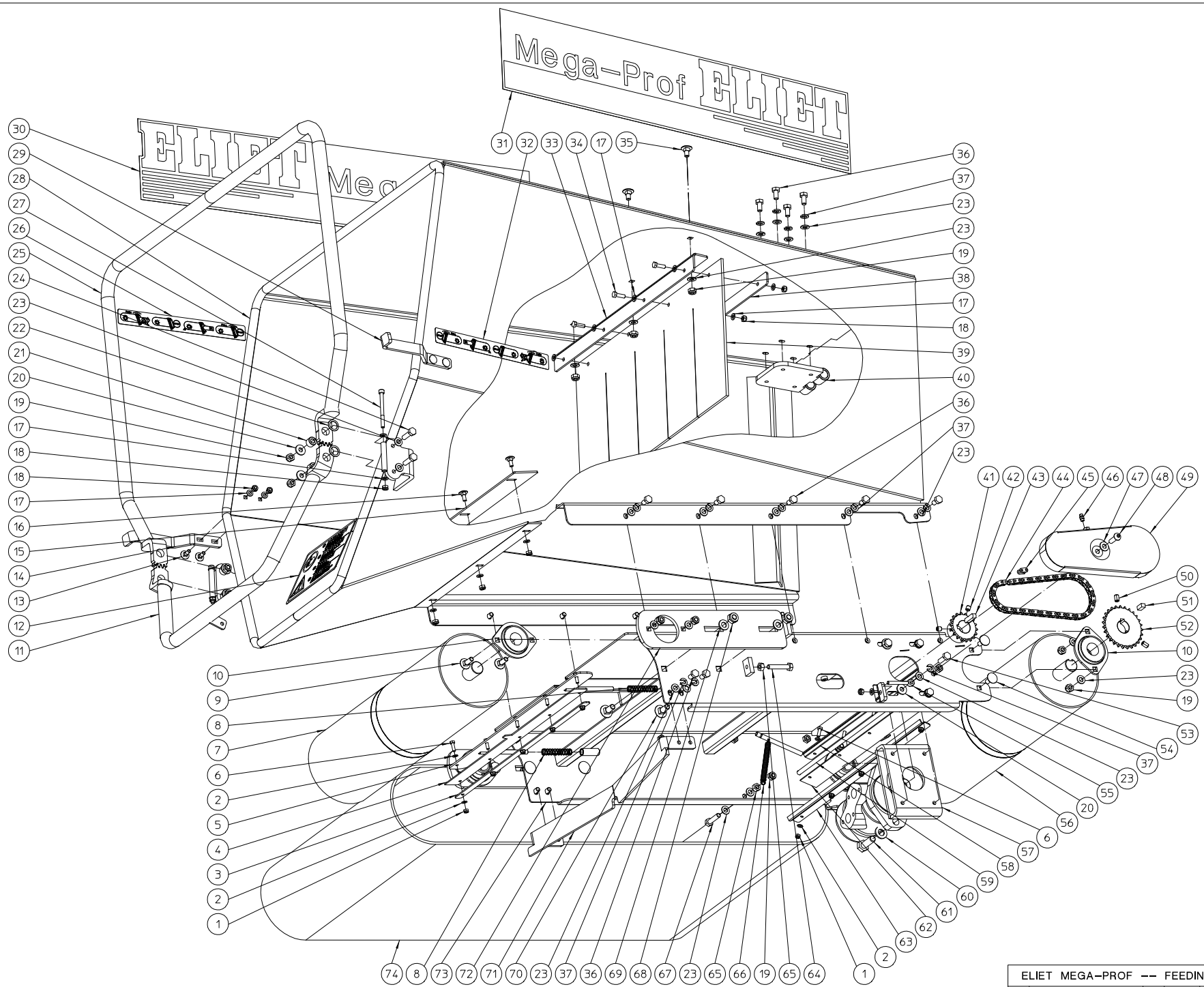
#	Order nr	article description	quantity
1	BS 512 001 030	bolt m10x30 din 933	8
2	BV 919 000 030	spring	2
3	BR 910 000 180	nylon cover plate (bearing side)	1
4	BV 907 000 010	spring 12x1.5x16	4
5	BR 600 240 280	rubber bumper	2
6	BS 554 100 825	bolt m8x25 din 603	3
7	BS 531 001 000	washer m10 din 125	10
8	BL 801 502 500	bearing + flanges aspf 205	1
9	BS 531 000 800	washer m8 din 125	6
10	BS 502 000 800	self locking nut m8 din 985	3
11	BS 532 008 356	washer m8x35x3	1
12	MPA 01 090 540	bush loose blade	1
13	BS 532 008 223	washer m8x22x1.5	1
14	BS 534 000 800	lock washer m8 din 6798a	1
15	MPA 01 261 170	long bolt m8x547	1
16	MPA 01 260 630	bracket for bearing feed roller	1
17	BS 533 001 000	lock washer m10 din 127b	4
18	BS 512 001 025	bolt m10x25 din 933	4
19	MPA 01 260 310	hinge shaft feed roller	1
20	BS 533 000 800	lock washer m8 din 127b	3
21	BS 512 000 820	bolt m8x20 din 933	3
22	MPA 01 260 030	arm feed roller	1
23	BR 112 262 110	nylon bushing with collar (26/35.5/40x21/2)	2
24	BS 501 001 000	nut m10 din 934	2
25	MPA 01 260 640	bracket for engine feed roller	1
26	BS 512 001 230	bolt m12x30 din 933	2
27	BS 533 001 200	lock washer m12 din 127b	2
28	BS 531 001 200	washer m12 din 125	2
29	BB 351 080 732	key 8x7x32 din 6885a	1
30	MPA 01 260 140	feed roller	1
31	BR 910 000 170	nylon cover plate (engine side)	1
32	BS 502 001 000	self locking nut m10 din 985	2



ELIET MEGA-PROF -- ENGINE				
NO	MMA-01.260.170	REV	4	DATE 2009/03/27

#	Order nr	article description	quantity
1	BM 270 821 047	radiator air inlet screen 445 x 410mm	1
2	BS 512 000 616	bolt m6x16 din 933	8
3	BS 533 000 600	lock washer m6 din 127b	6
4	BS 531 000 600	washer m6 din 125	20
5	MPA 01 262 180	tank support radiator	1
6	BR 600 220 150	antivibration blocks 20x15b m6x15	2
7	BS 501 000 600	nut m6 din 934	2
8	BS 512 000 612	bolt m6x12 din 933	8
9	MPA 01 262 160	radiator bracket left	1
10	BM 270 825 645	radiator 525 x 420mm	1
11	BM 270 821 019	wind tunnel Ø 380mm	1
12	MPA 01 262 100	protection radiator	1
13	MPA 01 262 150	radiator bracket upper right	1
14	MPA 01 262 210	support air filter	1
15	BS 502 000 800	self locking nut m8 din 985	8
16	BS 531 000 800	washer m8 din 125	49
17	MPA 01 262 220	pipe air filter	1
18	BR 200 245 070	flexible hose 45-70mm	1
19	BM 270 825 137	air filter	1
20	BT 670 126 380	clamp 26-38x9mm	4
21	BR 200 226 571	flexible hose 26-571mm	1
22	BS 522 500 610	screw m6x10 iso 7380	3
23	BT 670 144 560	clamp 44-56 9mm	2
24	BS 534 000 600	lock washer m6 din 6798a	3
25	BS 532 006 183	washer m6x18x1.5	3
26	BM 270 820 554	hose air cleaner	1
27	BR 500 103 800	rubber plug 42x38x1.6	1
28	MPA 01 262 110	protection motor	1
29	BS 502 000 600	self locking nut m6 din 985	2
30	MPA 01 262 120	fixation protection motor	1
31	BS 533 000 800	lock washer m8 din 127b	48
32	BS 512 000 816	bolt m8x16 din 933	2
33	BS 501 000 800	nut m8 din 934	4
34	BM 270 825 358	muffler elbow	1
35	BB 221 005 100	pop plug steel 4.8x10 din 7337 a	2
36	MPA 01 262 260	bend muffler	1
37	BM 270 825 200	muffler	1
38	BM 221 131 000	engine 31 hp vanguard 3lc 950 dt	1
39	BM 270 825 078	engine shaft 1" 7/16	1
40	BS 512 000 825	bolt m8x25 din 933	17
41	BB 342 101 050	key 9,52x9,52x50 din 6880	1
42	BA 563 716 020	pulley spb ii 160 tl 2517	1
43	BB 501 262 300	taper lock tl 2517-1 7/16"	1
44	BB 501 313 250	set screw 1/2"x1"	2
45	BA 521 328 020	belt xpb 2800/2	1
46	BS 511 001 250	bolt m12x100 din 931	4
47	BS 532 012 356	washer m12x35x3	2
48	BS 532 012 400	washer m12x40x5	4
49	BR 601 232 590	antivibration blocks 12/32x59	4
50	BS 512 000 830	bolt m8x30 din 933	6
51	BS 531 001 200	washer m12 din 125	6
52	BS 502 001 200	self locking nut m12 din 985	4

53	MPA 01 261 590	engine plate	1
54	MPA 01 262 130	support guide plate right	1
55	BR 201 025 065	flexible hose 25-650mm	1
56	MPA 01 261 690	clutch flange	1
57	MPA 01 262 140	support guide plate left	1
58	BS 512 000 820	bolt m8x20 din 933	14
59	BR 600 130 301	antivibration blocks 30x30b m8x16	4
60	MPA 01 261 600	support bracket hydro-pump	1
61	BS 512 000 812	bolt m8x12 din 933	4
62	BS 521 100 820	screw m8x20 din 912	4
63	BA 201 240 000	elastic coupling rubber flector	1
64	BA 201 220 300	elastic coupling pump side	1
65	MPA 01 262 190	radiator bracket right	1
66	MPA 01 262 200	radiator bracket left	1
67	BR 600 130 201	antivibration blocks 30x20b m8x20	2
68	BS 512 000 814	bolt m8x14 din 933	2
69	MPA 01 262 170	radiator bracket bottom	2
70	BM 270 825 462	expansion tank	1
71	BS 512 000 610	bolt m6x10 din 933	2

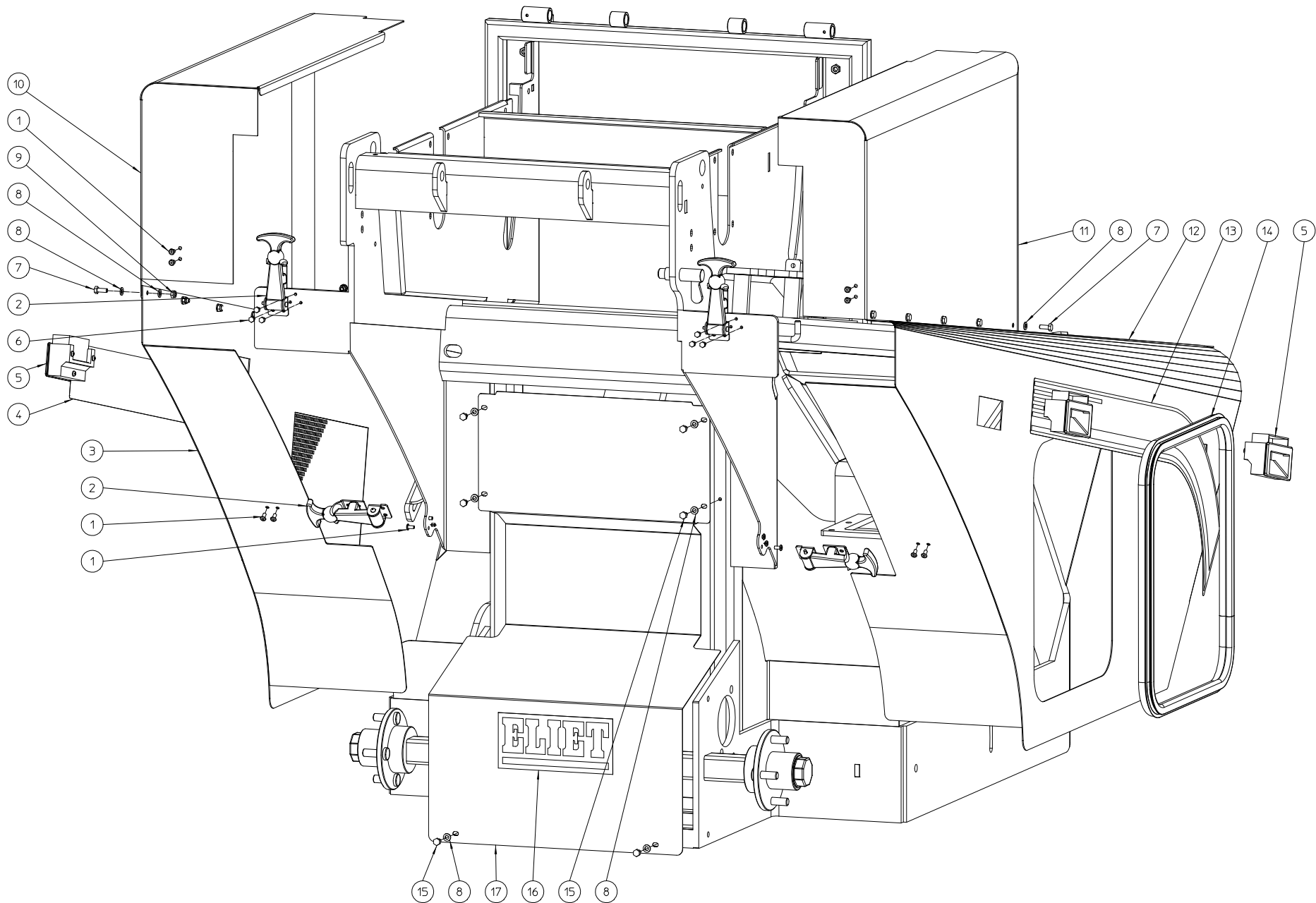


ELIET MEGA-PROF -- FEEDINGCONVEYOR				
NO	MMA-01.260.130	REV	5	DATE 2009/03/10



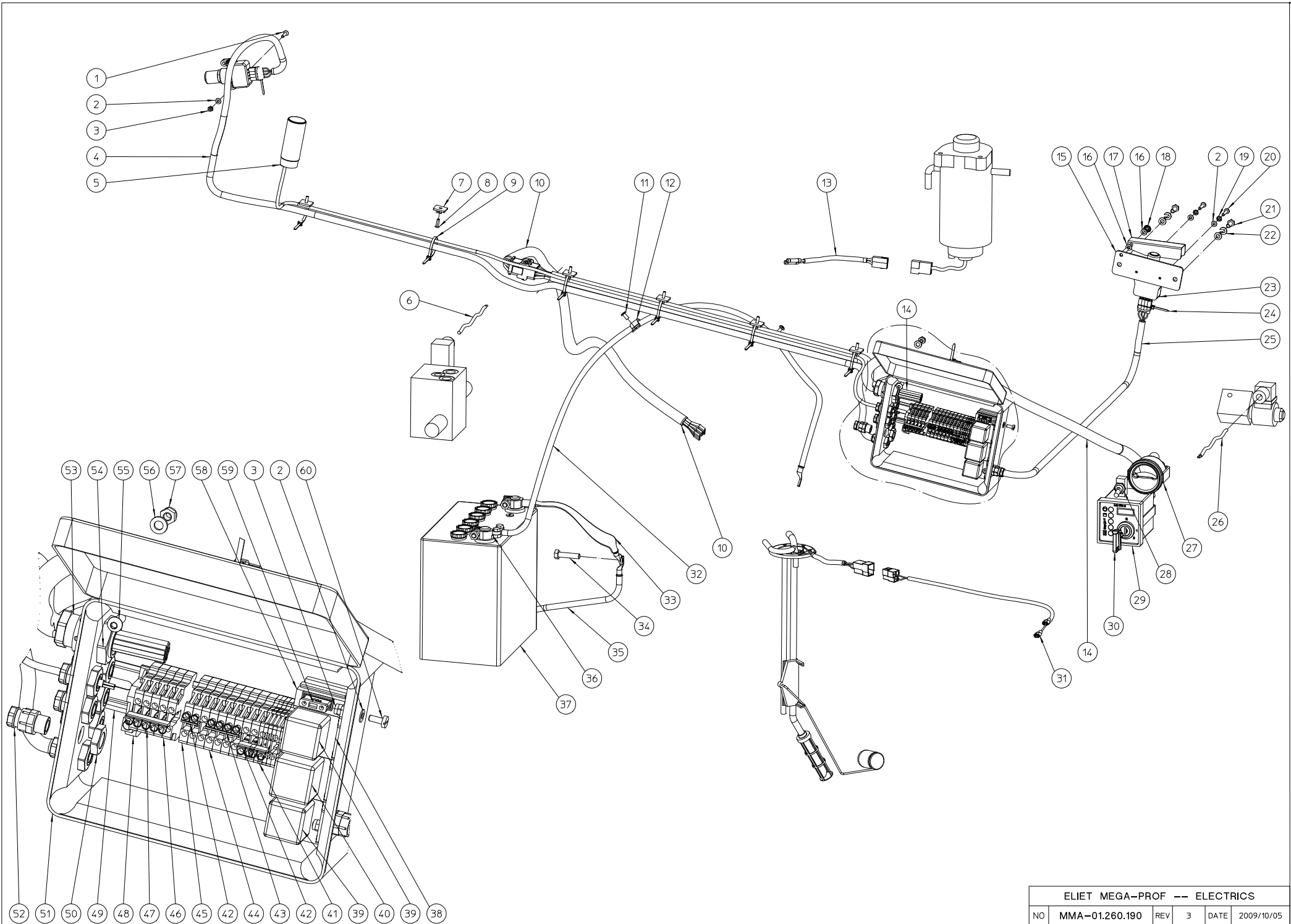
#	Order nr	article description	quantity
1	BS 502 000 500	self locking nut m5 din 985	10
2	BS 531 000 500	washer m5 din 125	20
3	MPA 01 262 330	fixation profile nylon	1
4	BR 910 000 280	nylon scraper	1
5	MPA 01 262 310	support scraper nylon	1
6	BS 512 000 516	bolt m5x16 din 933	10
7	MPA 01 260 150	idler roller	1
8	BV 001 012 060	spring 1x12x60	2
9	BS 554 100 825	bolt m8x25 din 603	4
10	BL 801 102 500	bearing + flanges aspfl 205	4
11	MPA 01 260 180	control handle (lower)	1
12	BQ 505 010 110	safety sticker 190x125 (in feed)	1
13	BS 554 100 620	bolt m6x20 din 603	4
14	MPA 01 261 030	control handle stop (left)	1
15	MPA 01 260 840	scraper (outside)	1
16	BS 554 100 616	bolt m6x16 din 603	3
17	BS 531 000 600	washer m6 din 125	20
18	BS 502 000 600	self locking nut m6 din 985	14
19	BS 502 000 800	self locking nut m8 din 985	16
20	BS 532 008 254	washer m8x25x2	6
21	MPA 01 260 970	bushing for control handle	4
22	BS 036 001 610	precision washer 22x16x1	4
23	BS 531 000 800	washer m8 din 125	42
24	BS 512 000 830	bolt m8x30 din 933	4
25	MPA 01 260 190	control handle (upper)	1
26	BQ 501 190 070	sticker in feed roller control mega prof ( l )	1
27	BS 521 100 646	screw m6x70 din 912	2
28	MPA 01 260 040	hopper	1
29	MPA 01 261 040	control handle stop (right)	1
30	BQ 501 190 010	sticker eliet mega prof ( l )	1
31	BQ 501 190 020	sticker eliet mega prof ( r )	1
32	BQ 501 190 080	sticker in feed roller control mega prof ( r )	1
33	MPA 01 260 600	bracket for rubber protection	1
34	BS 512 000 620	bolt m6x20 din 933	4
35	BS 554 100 816	bolt m8x16 din 603	3
36	BS 512 000 816	bolt m8x16 din 933	25
37	BS 533 000 800	lock washer m8 din 127b	26
38	MPA 01 260 610	fixation profile	1
39	BR 900 001 070	rubber protection	1
40	MPA 01 260 220	hinge	2
41	BA 161 018 251	sprocket simplex 3/8"x7/32" 18t	1
42	BS 023 000 808	set screw m8x8 din 916	2
43	BB 351 080 732	key 8x7x32 din 6885a	1
44	BA 101 053 020	chain simplex 3/8"x7/32" 53l	1
45	BA 151 200 000	connecting chain link simplex 3/8"x7/32"	1
46	BY 100 106 100	grease fitting m6 din 71412	1
47	BS 532 008 223	washer m8x22x1.5	1
48	BS 522 500 825	screw m8x25 iso 7380	1
49	MPA 01 260 260	chain protection	1
50	BS 023 000 812	set screw m8x12 din 916	2
51	BB 341 080 716	key 8x7x16 din 6880	1
52	BA 161 027 000	sprocket simplex 3/8"x7/32" 27t	1

53	BS 512 000 825	bolt m8x25 din 933	1
54	BS 554 100 820	bolt m8x20 din 603	4
55	BS 551 000 642	eye bolt m6x50 din 444	1
56	MPA 01 260 160	driven roller	1
57	MPA 01 260 100	hydro-engine bracket	1
58	MPA 01 262 320	support scraper nylon 2	1
59	MPA 01 262 750	axle scraper	1
60	BS 531 001 200	washer m12 din 125	2
61	BS 512 001 235	bolt m12x35 din 933	2
62	BR 910 000 290	nylon scraper	1
63	MPA 01 262 710	fixation profile nylon	1
64	BS 512 000 841	bolt m8x45 din 933	2
65	BS 501 000 800	nut m8 din 934	3
66	BV 011 010 000	spring 1x10x105	1
67	BS 512 000 835	bolt m8x35 din 933	1
68	BS 502 001 000	self locking nut m10 din 985	4
69	BS 531 001 000	washer m10 din 125	4
70	BS 554 101 025	bolt m8x60 din603	4
71	MPA 01 260 520	scraper (inside)	1
72	MPA 01 260 280	tension regulator of the belt	2
73	MPA 01 260 060	conveyor	1
74	BY 431 250 205	conveyer mega prof	1



ELIET MEGA-PROF -- SIDE COVERS					
NO	MMA-01.260.200	REV	4	DATE	2009/03/16

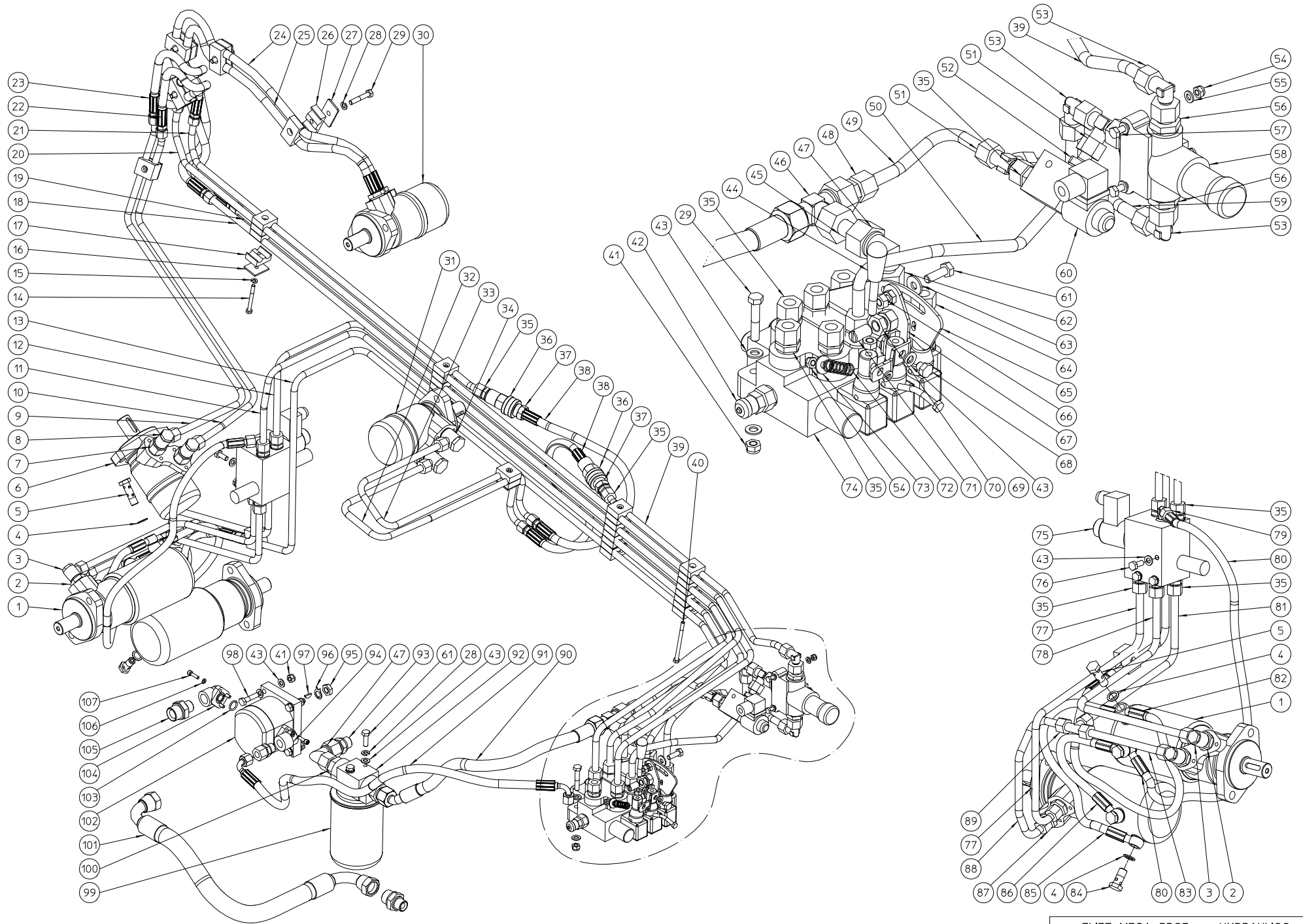
#	Order nr	article description	quantity
1	BB 221 105 100	pop plug alu 4.8x10 din 7337 a	14
2	BO 230 010 660	latch	4
3	MPA 01 261 670	cover right	1
4	BQ 501 190 040	decorative sticker right	1
5	BN 230 100 600	grip	4
6	BS 512 000 508	bolt m5x8 din 933	6
7	BS 512 000 616	bolt m6x16 din 933	12
8	BS 531 000 600	washer m6 din 125	30
9	BS 502 000 600	self locking nut m6 din 985	12
10	MPA 01 260 690	black cover right side	1
11	MPA 01 260 680	black cover left side	1
12	MPA 01 261 780	cover left	1
13	BQ 501 190 030	decorative sticker left	1
14	BR 001 431 551	pvc edge trim lg 1550mm	1
15	BS 512 000 610	bolt m6x10 din 933	6
16	BQ 501 010 030	sticker eliet 200x90	1
17	MPA 01 261 700	cover back	1



ELIET MEGA-PROF -- ELECTRICS					
NO	MMA-01.260.190	REV	3	DATE	2009/10/05

#	Order nr	article description	quantity
1	BS 522 100 420	screw m4x20 din 7991	2
2	BS 531 000 400	washer m4 din 125	6
3	BS 502 000 400	self locking nut m4 din 985	4
4	BE 092 231 751	ctmb wire 1,5mm	1
5	BE 400 010 000	abm sensor	1
6	BE 092 020 601	liyy wire 1mm	1
7	BE 043 090 003	base for tie wrap	7
8	BB 222 104 120	pop plug alu 3.9x12 din 7337 b	7
9	BE 043 010 140	wrap tie 140x3.5	7
10	BM 270 825 447	electric connector vanguard 3lc 950d	1
11	BB 221 005 100	pop plug steel 4.8x10 din 7337 a	2
12	BT 685 006 120	wire clamp	2
13	BE 099 002 602	electric connector diesel filter	1
14	BE 099 002 601	electric connector mega prof	1
15	MPA 01 262 300	holder contact	1
16	BS 531 000 500	washer m5 din 125	2
17	MPA 01 262 380	protection flap contact	1
18	BB 010 000 050	starlock 5mm	1
19	BS 534 000 400	lock washer m4 din 6798a	2
20	BS 541 000 420	screw m4x20 din 84	2
21	BS 512 000 616	bolt m6x16 din 933	2
22	BS 533 000 600	lock washer m6 din 127b	2
23	BE 120 030 020	safety switch	2
24	BE 043 010 100	wrap tie 100x2.5	2
25	BE 092 231 051	ctmb wire 1,5mm	1
26	BE 092 021 601	wire solenoid abm 1600mm	1
27	BY 716 110 002	fuel level display	1
28	BE 120 020 636	switch	1
29	BM 270 000 010	electric control panel	1
30	BM 270 000 011	ignition key	1
31	BE 092 020 551	liyy wire 1mm	1
32	BE 090 291 101	red wire 25mm	1
33	BE 090 190 381	black wire 25mm	1
34	BS 512 000 835	bolt m8x35 din 933	1
35	BE 090 190 301	black wire 25mm	1
36	BE 031 013 498	battery clamp (positive)	1
37	BE 240 120 450	battery 12v 45ah	1
38	BE 160 011 000	relay body (9 poles)	3
39	BE 160 013 000	reversing relay 12v	2
40	BE 160 012 000	relay 12v	1
41	BE 033 003 021	grey connecting clamp	7
42	BE 033 003 122	connecting plate (2 connections)	3
43	BE 033 003 124	connecting plate (4 connections)	1
44	BE 033 003 023	blue connecting clamp	5
45	BE 033 003 024	orange connecting clamp	2
46	BE 033 003 022	black connecting clamp	5
47	BE 033 003 125	connecting plate (5 connections)	1
48	BE 033 003 001	lock unit	1
49	BC 150 350 101	omega rail 170mm	1
50	BE 071 080 700	locknut pg7	7
51	BE 141 814 090	electric box ip55	2
52	BE 071 070 700	cable box entry pg7	8

53	BE 071 071 600	cable box entry pg16	1
54	BE 071 081 600	locknut pg16	1
55	BS 522 500 616	screw m6x16 iso 7380	2
56	BS 531 000 600	washer m6 din 125	4
57	BS 502 000 600	self locking nut m6 din 985	2
58	BE 160 010 000	fuse body	1
59	BE 100 701 000	fuse 10a	1
60	BS 541 000 410	screw m4x10 din 84	2



ELIET MEGA-PROF -- HYDRAULICS

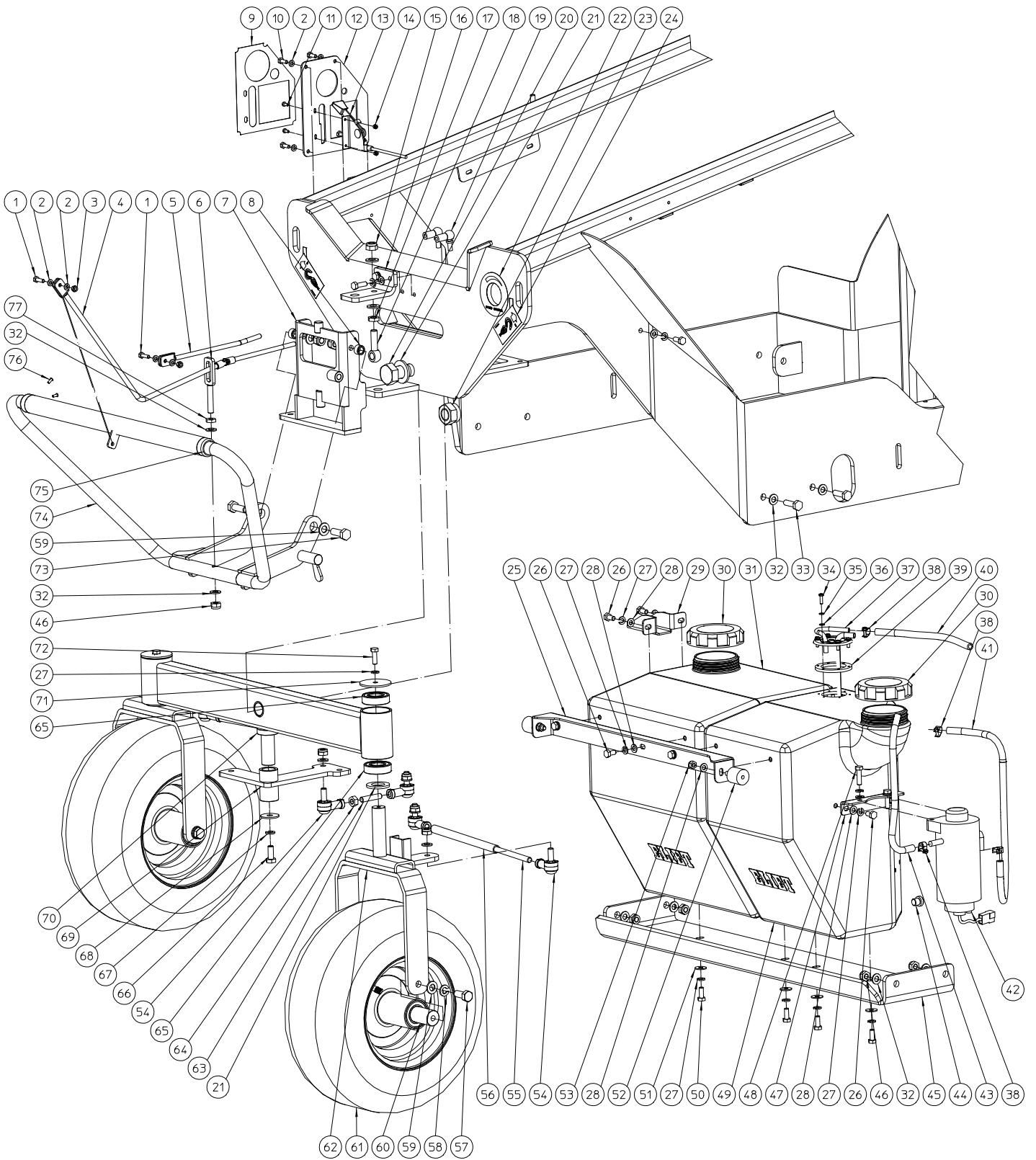
NO	MMA-01.260.180	REV	6	DATE	2009/03/30
----	----------------	-----	---	------	------------



#	Order nr	article description	quantity
1	BH 330 512 501	hydraulic engine omrf 125cc	2
2	BH 514 100 804	reduction stud (m-f) 1/2"-1/4"	2
3	BH 513 111 204	banjo 12lx1/4"	2
4	BH 805 014 150	copper seal 14x20x1.5	10
5	BH 542 200 410	banjo bolt bbl 1/4"	2
6	BH 331 412 500	hydraulic engine epm n 125cc	1
7	BH 514 100 806	reduction stud (m-f) 1/2"-3/8"	2
8	BH 513 111 206	banjo 12lx3/8"	2
9	MPA 01 262 480	hydraulic pipe Ø 12mm	1
10	MPA 01 262 490	hydraulic pipe Ø 12mm	1
11	MPA 01 262 520	hydraulic pipe Ø 12mm	1
12	MPA 01 262 530	hydraulic pipe Ø 12mm	1
13	MPA 01 262 540	hydraulic pipe Ø 12mm	1
14	BS 511 000 644	bolt m6x60 din 931	1
15	BS 533 000 600	lock washer m6 din 127b	5
16	BH 710 003 010	clamp base - a	6
17	BH 711 220 100	pipe clamp b-12mm	34
18	MPA 01 262 430	hydraulic pipe Ø 12mm	1
19	MPA 01 262 440	hydraulic pipe Ø 12mm	1
20	MPA 01 262 400	hydraulic pipe Ø 12mm	1
21	MPA 01 262 410	hydraulic pipe Ø 12mm	1
22	BH 551 060 820	flexible hydraulic hose 3/8"x820	1
23	BH 551 060 780	flexible hydraulic hose 3/8"x780	1
24	BH 551 060 830	flexible hydraulic hose 3/8"x830	1
25	BH 551 060 790	flexible hydraulic hose 3/8"x790	1
26	BH 711 720 100	pipe clamp b-17mm	8
27	BH 710 003 020	clamp base - b	4
28	BS 533 000 800	lock washer m8 din 127b	6
29	BS 511 000 841	bolt m8x45 din 931	7
30	BH 331 425 000	hydraulic engine epm n 250cc	1
31	BH 331 410 000	hydraulic engine epm n 100cc	1
32	MPA 01 262 510	hydraulic pipe Ø 12mm	1
33	MPA 01 262 500	hydraulic pipe Ø 12mm	1
34	BH 513 111 208	banjo 12lx1/2"	2
35	BH 509 211 206	male stud coupling 12lx3/8"	16
36	BH 562 106 000	quick-release coupling 3/8" (female)	2
37	BH 561 106 000	quick-release coupling 3/8" (male)	2
38	BH 551 060 500	flexible hydraulic hose 3/8"x500	2
39	MPA 01 262 420	hydraulic pipe Ø 12mm	1
40	BS 511 000 652	bolt m6x120 din 931	3
41	BS 502 000 800	self locking nut m8 din 985	7
42	BH 563 001 060	manometer coupler 3/8"xm16x2	1
43	BS 531 000 800	washer m8 din 125	21
44	BH 409 002 002	control lever hydro-valve	1
45	MPA 01 261 400	hydraulic pipe	1
46	BH 510 041 600	equal tee 16s	1
47	BH 511 941 600	angular rotary fitting 16s	2
48	BH 513 241 612	standpipe/tube reducer 16s/12s	1
49	MPA 01 262 470	hydraulic pipe Ø 12mm	1
50	MPA 01 262 450	hydraulic pipe Ø 12mm	1
51	BH 512 111 200	rotary l-fitting female 12l	2
52	BH 512 611 206	standpipe adaptor 12lx3/8"	1

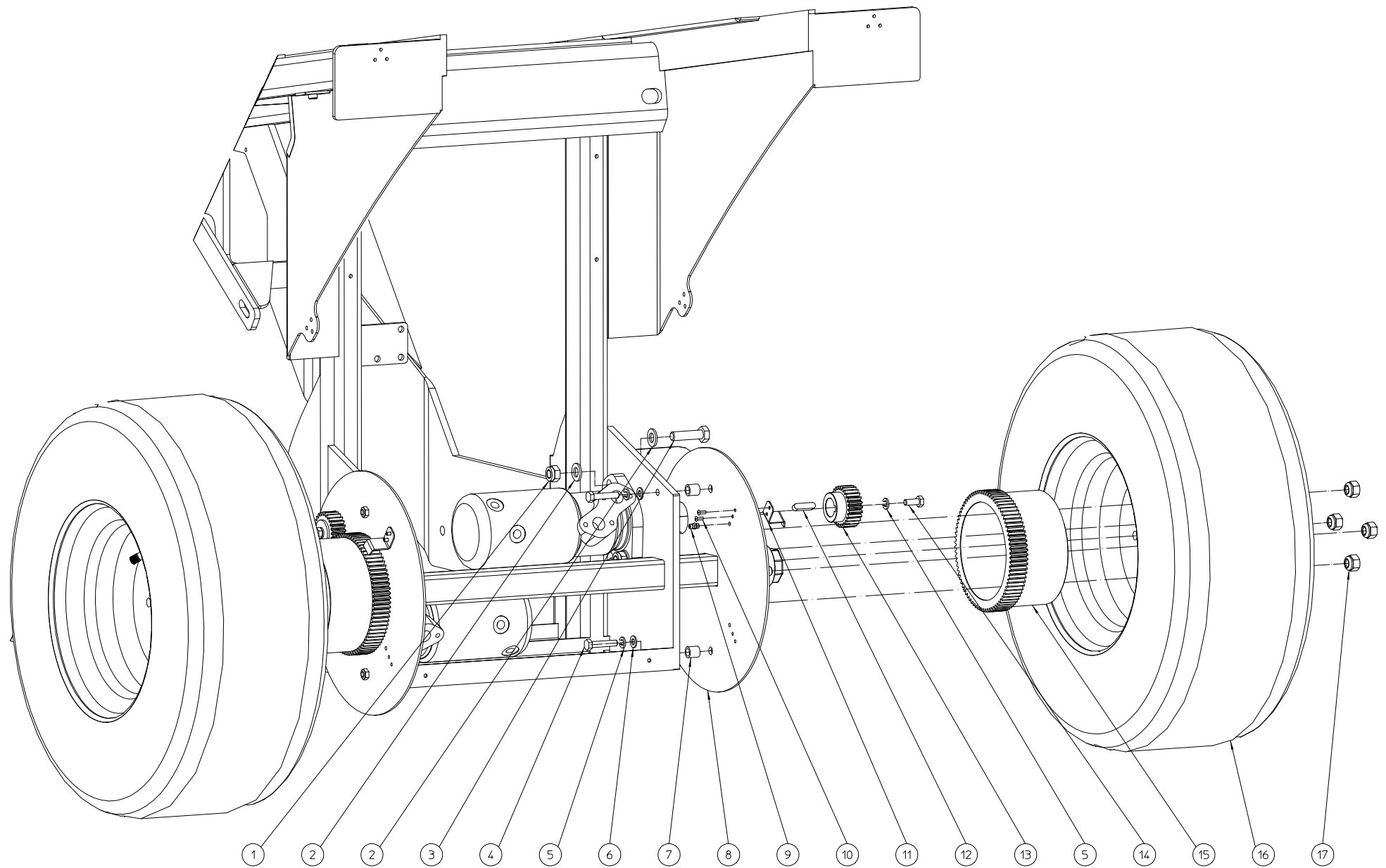
53	BH 511 911 200	angular rotary fitting 12l	3
54	BS 502 000 600	self locking nut m6 din 985	3
55	BS 531 000 600	washer m6 din 125	5
56	BH 509 221 222	male stud coupling 12lxm22	3
57	BS 512 000 635	bolt m6x35 din 933	3
58	BH 430 012 201	speed controller mtkavkr	1
59	MPA 01 262 460	hydraulic pipe Ø 12mm	1
60	BH 410 001 010	solenoid valve 2/2 nc 3/8"	1
61	BS 512 000 825	bolt m8x25 din 933	3
62	BH 509 241 606	male stud coupling 16sx3/8"	1
63	BS 532 008 254	washer m8x25x2	1
64	BH 509 411 206	stud elbows 10lx3/8"	1
65	MPA 01 260 910	shift position grid	1
66	BS 501 000 800	nut m8 din 934	2
67	MPA 01 260 450	position selector	1
68	BS 512 000 808	bolt m8x8 din 933	2
69	MPA 01 261 130	bended bolt m6x55 din 931	1
70	BS 501 901 200	nut m12 din 439	1
71	BS 051 601 222	screw with lockbullet	1
72	BV 001 012 035	spring 1x12x35	1
73	BS 532 006 183	washer m6x18x1.5	1
74	BH 400 211 310	hydraulic valve hdm 11s/3 xza	1
75	BH 410 003 000	solenoid valve differential 12v dc	1
76	BS 512 000 820	bolt m8x20 din 933	3
77	MPA 01 262 550	hydraulic pipe Ø 12mm	1
78	MPA 01 262 560	hydraulic pipe Ø 12mm	1
79	BH 509 411 004	stud elbows 10lx1/4"	1
80	BH 551 040 850	flexible hydraulic hose 1/4"x850	1
81	MPA 01 262 570	hydraulic pipe Ø 12mm	1
82	BH 551 040 600	flexible hydraulic hose 1/4"x600	1
83	MPA 01 262 590	hydraulic pipe Ø 12mm	1
84	BH 542 200 400	banjo bolt bb 1/4"	2
85	BH 551 040 500	flexible hydraulic hose 1/4"x500	1
86	BH 551 040 400	flexible hydraulic hose 1/4"x400 mg	1
87	BH 509 211 208	male stud coupling 12lx1/2"	2
88	MPA 01 262 580	hydraulic pipe Ø 12mm	1
89	BH 510 011 200	equal tee 12l	1
90	BH 551 080 530	flexible hydraulic hose 1/2"x530	1
91	BH 551 061 000	flexible hydraulic hose 3/8"x1000	1
92	BH 280 312 121	oil filter base return (filter element 25mic => bh 280 212 000)	1
93	BH 512 631 608	standpipe adaptor 16sx1/2"	1
94	BH 281 001 100	elbow coupling 30mm 3/8"	1
95	BS 501 901 201	nut m12x1,25 din 439	1
96	BB 006 000 120	tab washers	1
97	BB 321 030 615	key 3x6,5x15.72 din 6888	1
98	BS 511 000 835	bolt m8x35 din 931	4
99	BH 280 212 000	oil filter (return)	0
100	BH 509 241 612	male stud coupling 16sx3/4"	2
101	BH 550 120 520	flexible hydraulic hose 3/4"x520	1
102	BH 210 104 501	hydraulic pump gr2 - 4,5cc	1
103	BH 802 015 250	o-ring Ø15 x 2,5	2
104	BH 281 001 200	elbow coupling 30mm 1/2"	1

105	BH 501 112 080	male stud coupling (m-m) 3/4"-1/2" bsp	2
106	BS 533 000 500	lock washer m5 din 127b	6
107	BS 521 100 520	screw m5x20 din 912	6



#	Order nr	article description	quantity
1	BS 512 000 620	bolt m6x20 din 933	2
2	BS 531 000 600	washer m6 din 125	8
3	BS 502 000 600	self locking nut m6 din 985	2
4	MPA 01 260 460	control rod wheel drive	1
5	MPA 01 260 440	control rod in feed	1
6	MPA 01 261 740	guide	1
7	MPA 01 261 730	drag link	1
8	MPA 01 261 680	bush steer bracket	2
9	BQ 501 190 050	dashboard sticker	1
10	BS 512 000 616	bolt m6x16 din 933	4
11	BS 541 000 410	screw m4x10 din 84	2
12	MPA 01 260 700	control panel	1
13	BK 161 161 570	throttle control + cable	1
14	BS 502 000 400	self locking nut m4 din 985	2
15	BS 502 001 200	self locking nut m12 din 985	3
16	MPA 01 260 530	fixing bracket for steering	1
17	BS 501 901 200	nut m12 din 439	1
18	BS 551 101 242	eye bolt m12x50 din 444	1
19	BA 230 010 800	ball joint m8	2
20	BS 511 002 449	bolt m24x90 din 931	1
21	BS 531 002 400	washer m24 din 125	3
22	BQ 501 190 060	speedcontroler in feed	1
23	BS 502 002 400	self locking nut m24 din 985	1
24	BQ 501 060 090	sticker hook attachment	2
25	MPA 01 262 340	tank support	1
26	BS 512 000 816	bolt m8x16 din 933	8
27	BS 533 000 800	lock washer m8 din 127b	20
28	BS 531 000 800	washer m8 din 125	16
29	MPA 01 262 360	support oil filter	1
30	BH 720 505 585	cap for tank	2
31	BY 717 205 040	tank 40 litre	1
32	BS 531 001 000	washer m10 din 125	16
33	BS 512 001 035	bolt m10x35 din 933	4
34	BS 546 500 516	screw m5x16 din7985 plastite	6
35	BS 533 000 500	lock washer m5 din 127b	6
36	BS 531 000 500	washer m5 din 125	6
37	BY 716 110 004	fuel level sender	1
38	BT 670 109 110	hose clamp 9x11mm	6
39	BH 803 048 380	gasket for fuel level sender	1
40	BR 202 007 130	fuel hose 7.5x1300mm	1
41	BR 202 007 080	fuel hose 7.5x800mm	1
42	BM 270 825 219	diesel filter	1
43	BR 202 007 160	fuel hose 7.5x1600mm	1
44	BH 518 500 400	blanking plug 1/4"	1
45	MPA 01 260 880	tank support	1
46	BS 502 001 000	self locking nut m10 din 985	11
47	MPA 01 262 350	support fuel filter	1
48	BS 512 000 830	bolt m8x30 din 933	2
49	BY 717 205 028	tank 28 litre	1
50	BS 512 000 820	bolt m8x20 din 933	6
51	BS 532 008 223	washer m8x22x1.5	4
52	BR 600 130 301	antivibration blocks 30x30b m8x16	2

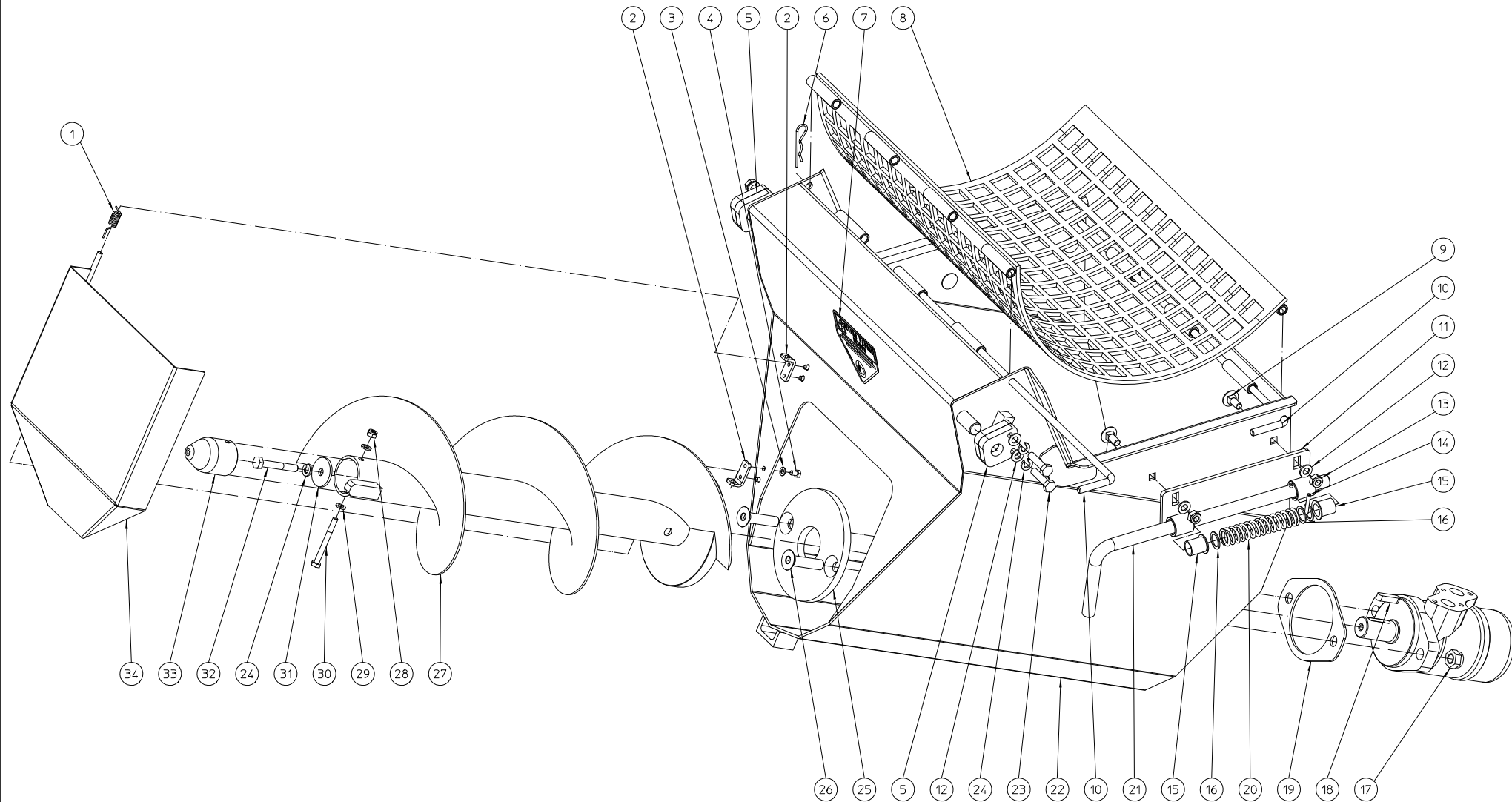
53	BS 502 000 800	self locking nut m8 din 985	2
54	BA 230 031 000	ball joint m10 din 71802 with sealing cap	6
55	BS 581 001 026	stud ding m10x260 din 975	2
56	MPA 01 262 720	bush drag link	2
57	BS 512 001 230	bolt m12x30 din 933	4
58	BS 533 001 200	lock washer m12 din 127b	4
59	BS 531 001 200	washer m12 din 125	10
60	MPA 01 260 950	front wheel axle	2
61	BW 040 030 000	wheel 5.50-8	2
62	MPA 01 260 070	front wheel fork	2
63	BS 581 001 005	stud ding m10x47 din 975	1
64	BS 501 001 000	nut m10 din 934	1
65	BL 002 505 203	bearing 6205 zz	4
66	BS 512 001 025	bolt m10x25 din 933	1
67	BS 533 001 000	lock washer m10 din 127b	1
68	BS 532 010 355	washer m10x35x2.5	1
69	MPA 01 260 210	steering plate	1
70	MPA 01 260 130	front axle	1
71	MPA 01 261 620	washer	2
72	BS 512 000 825	bolt m8x25 din 933	4
73	BS 512 001 235	bolt m12x35 din 933	2
74	MPA 01 261 720	steering bracket	1
75	BR 910 000 010	nylon bushing with collar (25/30/34x30/15)	2
76	BB 221 104 100	pop plug alu 3.9x10 din 7337 a	4
77	BS 501 901 000	nut m10 din 439	1



ELIET MEGA-PROF -- WHEEL DRIVE					
NO	MMA-01.260.160	REV	3	DATE	2009/10/05

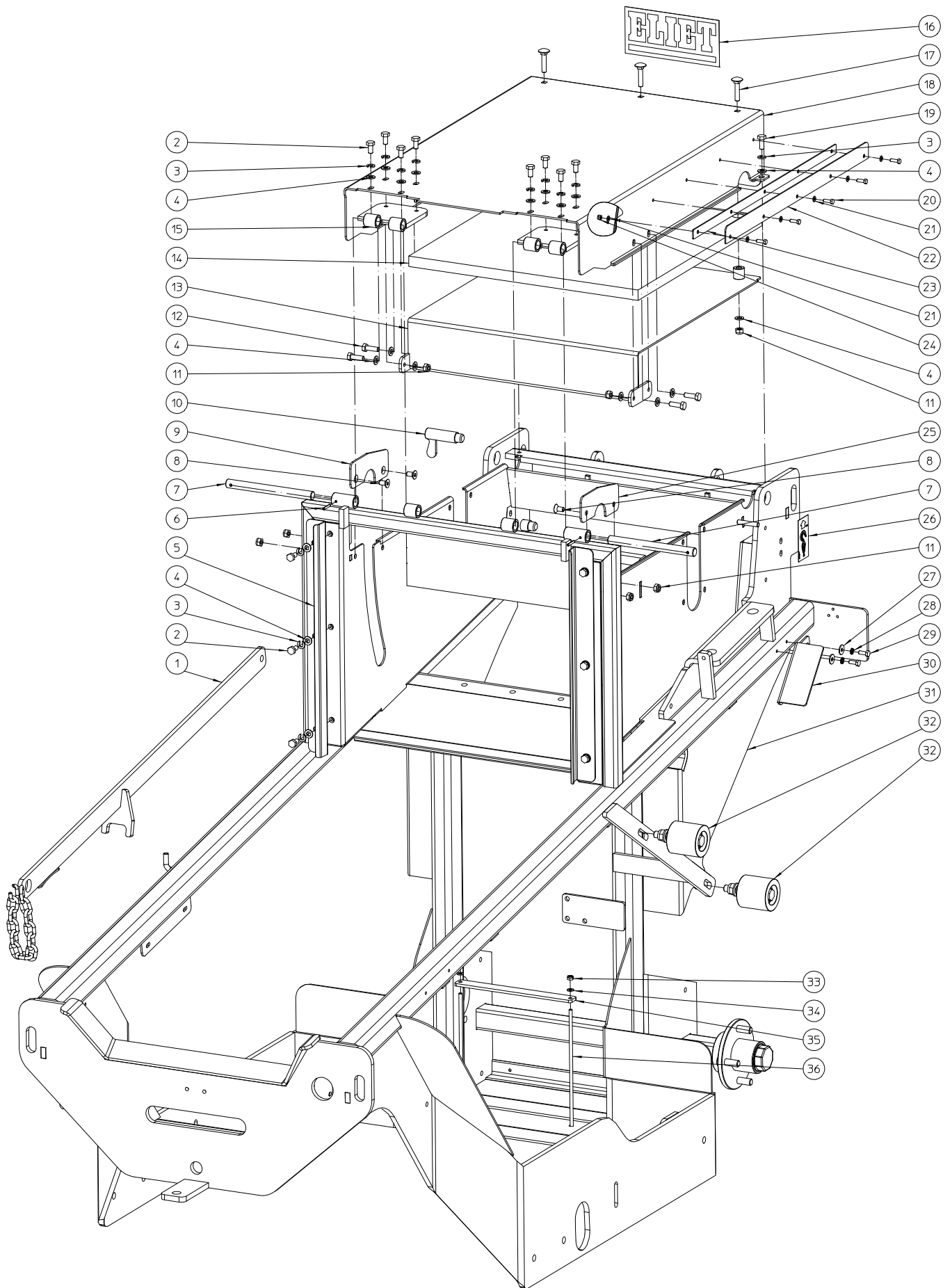
#	Order nr	article description	quantity
1	BS 502 001 200	self locking nut m12 din 985	4
2	BS 531 001 200	washer m12 din 125	8
3	BS 511 001 241	bolt m12x45 din 931	4
4	BS 512 000 840	bolt m8x40 din 933	6
5	BS 533 000 800	lock washer m8 din 127b	8
6	BS 531 000 800	washer m8 din 125	6
7	BR 111 101 500	nylon bushing (10.3/15x15)	6
8	MPA 01 261 710	cover plate transmission	2
9	BY 100 106 100	grease fitting m6 din 71412	2
10	BB 221 104 100	pop plug alu 3.9x10 din 7337 a	4
11	MPA 01 262 370	bracket	2
12	BB 351 080 732	key 8x7x32 din 6885a	2
13	MPA 01 261 050	drive gear m2 z26	2
14	BS 512 000 820	bolt m8x20 din 933	2
15	BA 602 008 001	ring gear	2
16	BW 057 560 000	wheel 23x8.50-12	2
17	BS 501 601 201	tapered wheel nut m12x1.5 din 74361a	8





ELIET MEGA-PROF -- COLLECTOR					
NO	MMA-01.260.210	REV	3	DATE	2009/03/05

#	Order nr	article description	quantity
1	BV 919 000 040	spring	1
2	MPA 01 261 630	mounting safety flap	2
3	BS 531 000 500	washer m5 din 125	4
4	BS 512 000 508	bolt m5x8 din 933	4
5	MPA 01 260 820	collector support	2
6	BB 040 102 040	hairpin cotter 2mm din 11024	2
7	BQ 505 010 070	safety sticker 100x80 (hand cuts)	1
8	MPA 01 261 560	calibrating grating	1
9	BS 554 100 820	bolt m8x20 din 603	4
10	MPA 01 260 980	locking rod for mesh	2
11	MPA 01 260 360	body for locking pin	2
12	BS 531 000 800	washer m8 din 125	8
13	BS 502 000 800	self locking nut m8 din 985	4
14	BB 120 040 300	locking 4x30 din 1481	2
15	BR 112 152 100	nylon bushing with collar (15.4/18/23x21/1)	4
16	BS 036 001 510	precision washer 21x15x1	6
17	BS 502 001 200	self locking nut m12 din 985	2
18	BB 351 080 732	key 8x7x32 din 6885a	1
19	MPA 01 262 390	spacer	1
20	BV 911 000 030	spring 22x3x143	2
21	MPA 01 260 940	locking pin	2
22	MPA 01 261 570	evacuation box	1
23	BS 512 000 835	bolt m8x35 din 933	4
24	BS 533 000 800	lock washer m8 din 127b	5
25	MPA 01 260 780	hydro engine support ring	1
26	BS 522 101 242	screw m12x50 din 7991	2
27	MPA 01 260 370	conveyor screw	1
28	BS 502 000 600	self locking nut m6 din 985	1
29	BS 531 000 600	washer m6 din 125	2
30	BS 511 000 644	bolt m6x60 din 931	1
31	BS 532 008 356	washer m8x35x3	1
32	BS 511 000 843	bolt m8x55 din 931	1
33	MPA 01 260 930	centring cone	1
34	MPA 01 261 640	safety flap	1



ELIET MEGA-PROF -- REAR CHASSIS					
NO	MMA-01.260.110	REV	3	DATE	2009/10/14

#	Order nr	article description	quantity
1	MPA 01 260 470	lever to unblock (accessory)	1
2	BS 512 000 816	bolt m8x16 din 933	14
3	BS 533 000 800	lock washer m8 din 127b	16
4	BS 531 000 800	washer m8 din 125	27
5	MPA 01 260 540	feed hopper guide	2
6	BB 120 040 241	locking 4x20 din 1481	2
7	MPA 01 260 960	hinge shaft	2
8	BS 522 100 816	screw m8x16 din 7991	4
9	MPA 01 261 540	in feed roller bump plate (left) 2005	1
10	BO 100 010 150	pull-lock with wing handle 15mm	1
11	BS 502 000 800	self locking nut m8 din 985	11
12	BS 512 000 825	bolt m8x25 din 933	4
13	MPA 01 261 520	bracket for rubber plat	1
14	BQ 158 500 200	sound isolating cover 500x475x20	1
15	MPA 01 260 220	hinge	2
16	BQ 501 010 030	sticker eliet 200x90	1
17	BS 554 100 840	bolt m8x40 din 603	3
18	MPA 01 261 510	cover back	1
19	BS 512 000 820	bolt m8x20 din 933	2
20	BS 512 000 516	bolt m5x16 din 933	10
21	BS 531 000 500	washer m5 din 125	20
22	MPA 01 262 740	latch	2
23	MPA 01 262 730	spacer	2
24	BS 502 000 500	self locking nut m5 din 985	10
25	MPA 01 261 550	in feed roller bump plate (right) 2005	1
26	BQ 501 060 090	sticker hook attachment	2
27	BS 532 006 183	washer m6x18x1.5	2
28	BS 534 000 600	lock washer m6 din 6798a	2
29	BS 512 000 616	bolt m6x16 din 933	2
30	MPA 01 261 610	belt catcher	1
31	MPA 01 261 500	chassis mega prof 2005	1
32	BA 599 006 100	idler roller Ø50	2
33	BS 502 000 600	self locking nut m6 din 985	4
34	BS 531 000 600	washer m6 din 125	4
35	MPA 01 260 710	retainer for battery	1
36	BS 581 000 623	stud m6x230 din 975	2