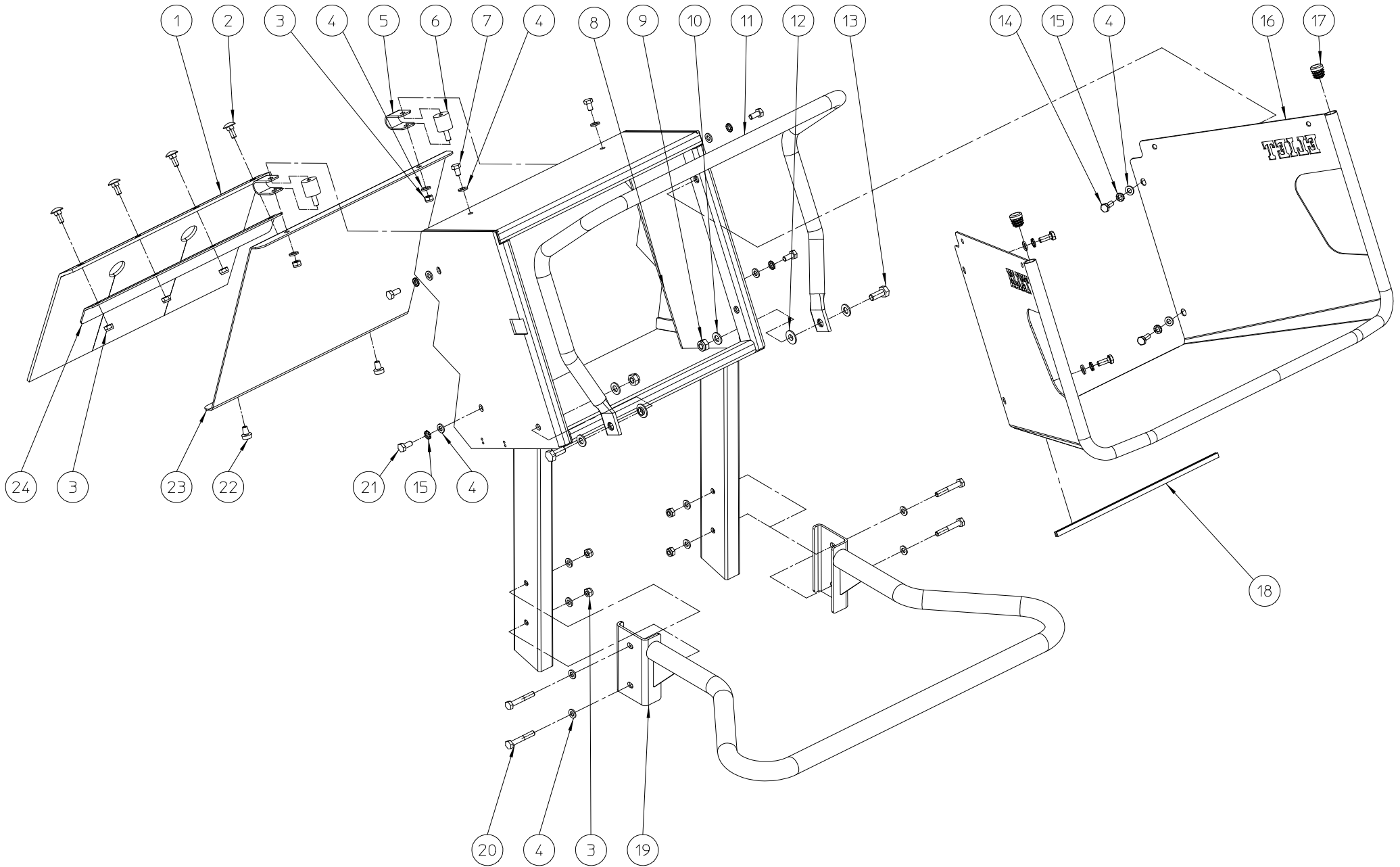


ELIET MAJOR 4S -- GENERAL

| | | | | | |
|----|----------------|-----|---|------|------------|
| NO | MMA 01 041 100 | REV | 3 | DATE | 2015/11/04 |
|----|----------------|-----|---|------|------------|

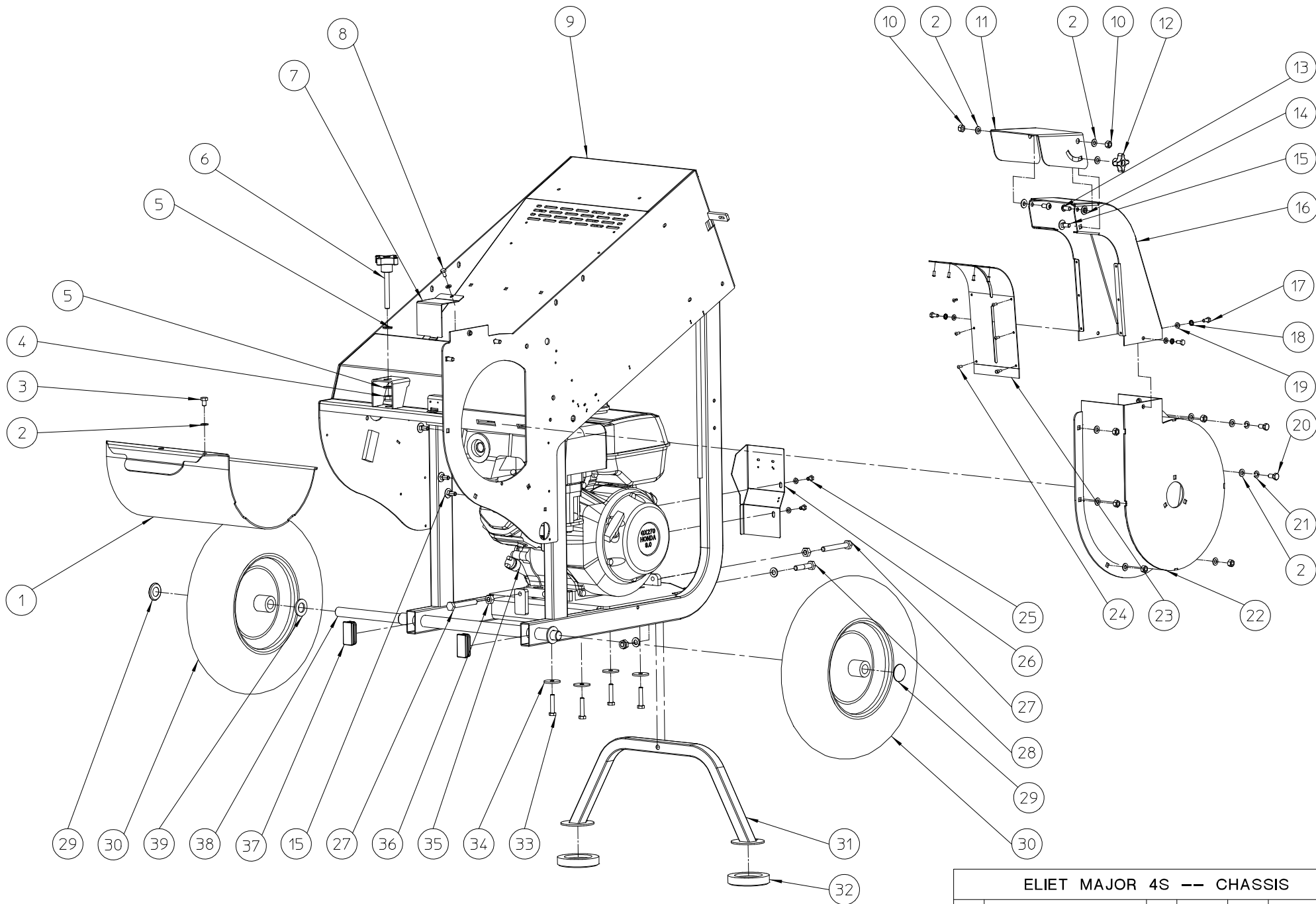
| # | Order nr | article description | quantity |
|---|----------------|-----------------------|----------|
| 1 | MMA 01 041 110 | machine front side | 1 |
| 2 | MMA 01 041 120 | chassis | 1 |
| 3 | MMA 01 041 130 | rotor | 1 |
| 4 | MMA 01 041 140 | transmission | 1 |
| 5 | MMA 01 041 150 | electrical system | 1 |
| 6 | MMA 01 041 160 | rental kit | 1 |
| 7 | MMA 01 041 170 | metal tank rental kit | 1 |
| 8 | MMA 01 041 210 | stickers eliet | 1 |



ELIET MAJOR 4S -- MACHINE FRONT SIDE

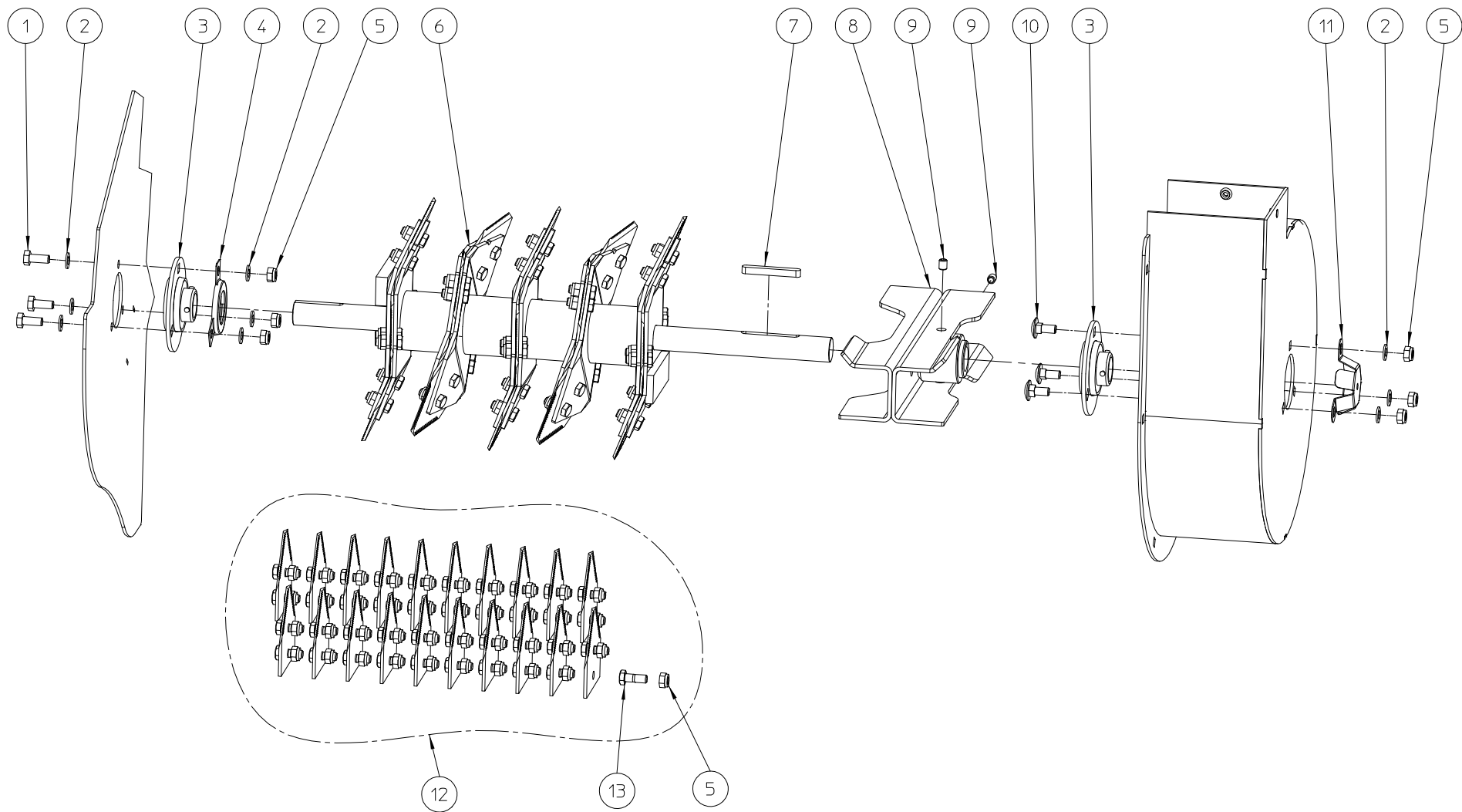
| | | | | | |
|----|----------------|-----|---|------|------------|
| NO | MMA 01 041 110 | REV | 2 | DATE | 2015/11/04 |
|----|----------------|-----|---|------|------------|

| # | Order nr | article description | quantity |
|----|----------------|---|----------|
| 1 | BR 900 001 220 | rubber anti projection flap | 1 |
| 2 | BS 554 100 616 | bolt m6x16 din 603 | 4 |
| 3 | BS 502 000 600 | self locking nut m6 din 985 | 10 |
| 4 | BS 531 000 600 | washer m6 din 125 | 20 |
| 5 | BR 910 000 020 | retainer ertalon 80x20x2 | 2 |
| 6 | BR 600 220 200 | antivibration blocks 20x20b m6x15 | 2 |
| 7 | BS 512 000 610 | bolt m6x10 din 933 | 2 |
| 8 | MPA 01 041 280 | safety plate | 2 |
| 9 | BS 502 000 800 | self locking nut m8 din 985 | 2 |
| 10 | BS 531 000 800 | washer m8 din 125 | 4 |
| 11 | MPA 01 040 040 | safety handle | 1 |
| 12 | BR 112 080 300 | nylon bushing with collar (8.2/10.9/18x3.5/1.5) | 2 |
| 13 | BS 512 000 820 | bolt m8x20 din 933 | 2 |
| 14 | BS 512 000 616 | bolt m6x16 din 933 | 4 |
| 15 | BS 534 000 600 | lock washer m6 din 6798a | 8 |
| 16 | MPA 01 041 150 | hopper major 4s | 1 |
| 17 | BR 020 501 160 | tube plug 16 mm | 2 |
| 18 | BR 000 910 280 | rubber u-moulding 280mm | 1 |
| 19 | MPA 01 040 021 | push bracket - 2008 | 1 |
| 20 | BS 511 000 640 | bolt m6x40 din 931 | 4 |
| 21 | BS 512 000 614 | bolt m6x14 din 933 | 4 |
| 22 | BR 602 006 151 | rubber bumper | 2 |
| 23 | MPA 01 041 220 | anti projection shield major 4s | 1 |
| 24 | MPA 01 040 220 | retainer for rubber rubber flap | 1 |



| ELIET MAJOR 4S -- CHASSIS | | | | | |
|---------------------------|----------------|-----|---|------|------------|
| NO | MMA 01 041 120 | REV | 2 | DATE | 2015/11/04 |

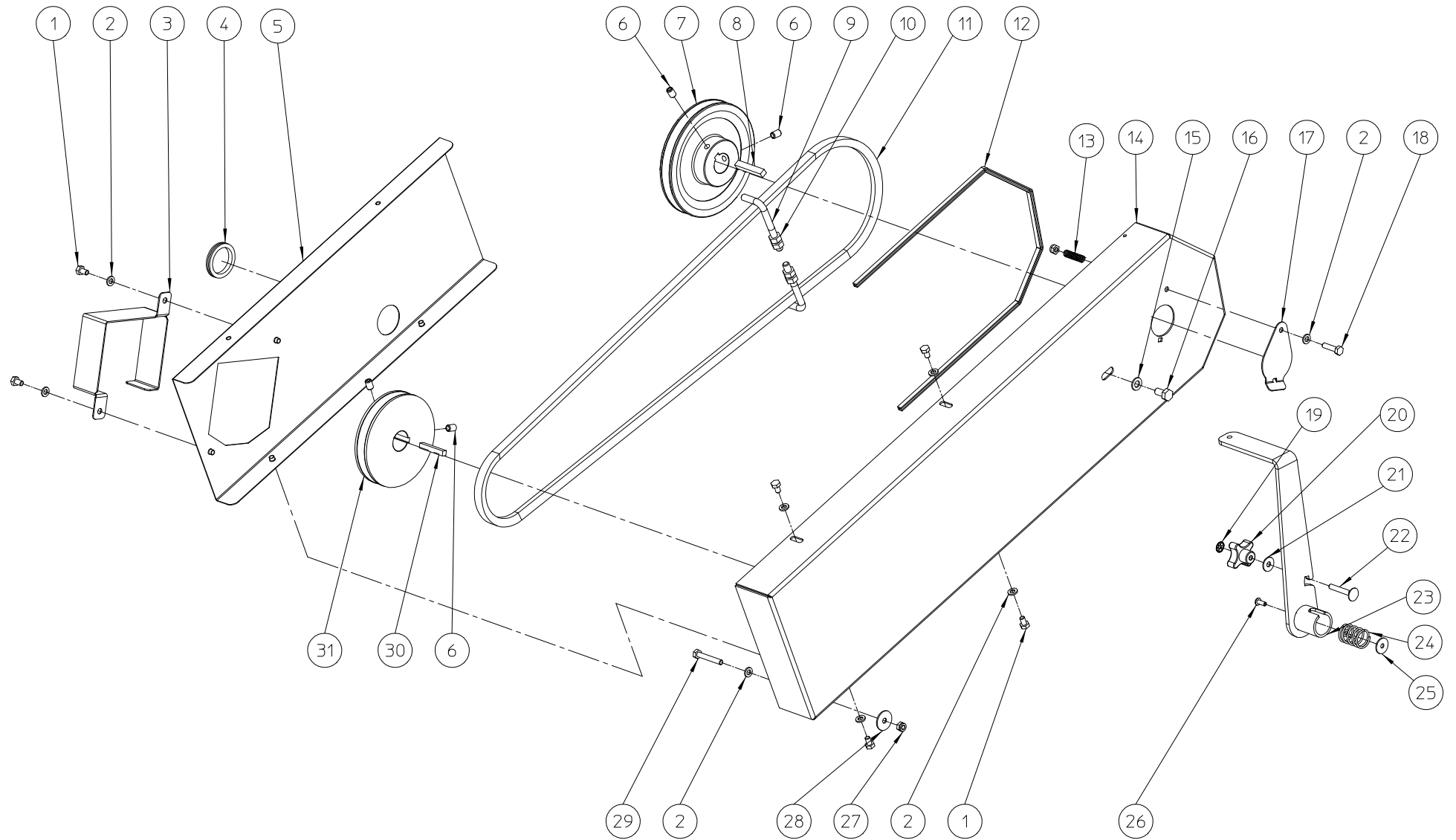
| # | Order nr | article description | quantity |
|----|----------------|---|----------|
| 1 | MPA 01 041 090 | closing rotor major 4s | 1 |
| 2 | BS 531 000 800 | washer m8 din 125 | 15 |
| 3 | BS 512 000 812 | bolt m8x12 din 933 | 1 |
| 4 | BS 502 001 000 | self locking nut m10 din 985 | 2 |
| 5 | BS 531 001 000 | washer m10 din 125 | 4 |
| 6 | BN 630 510 480 | lob knob Ø60mm - m10x80 | 1 |
| 7 | MPA 01 041 100 | cover for safety switch mi/ma 4s | 1 |
| 8 | BS 512 000 612 | bolt m6x12 din 933 | 1 |
| 9 | MPA 01 041 030 | chassis major 4s | 1 |
| 10 | BS 502 000 800 | self locking nut m8 din 985 | 11 |
| 11 | MPA 01 041 240 | directional valves blow chute major 4s | 1 |
| 12 | BN 630 808 400 | lob knob 188-40 m8 | 1 |
| 13 | BS 522 500 816 | screw m8x16 iso 7380 | 2 |
| 14 | BR 112 080 300 | nylon bushing with collar (8.2/10.9/18x3.5/1.5) | 2 |
| 15 | BS 554 100 820 | bolt m8x20 din 603 | 6 |
| 16 | MPA 01 041 080 | blow chute major 4s | 1 |
| 17 | BS 512 000 614 | bolt m6x14 din 933 | 3 |
| 18 | BS 534 000 600 | lock washer m6 din 6798a | 3 |
| 19 | BS 531 000 600 | washer m6 din 125 | 6 |
| 20 | BS 512 000 816 | bolt m8x16 din 933 | 2 |
| 21 | BS 533 000 800 | lock washer m8 din 127b | 2 |
| 22 | MPA 01 041 040 | turbine housing major 4s | 1 |
| 23 | MPA 01 041 230 | protection blow chute major 4s | 1 |
| 24 | BB 221 104 100 | pop plug alu 3.9x10 din 7337 a | 10 |
| 25 | BS 512 000 610 | bolt m6x10 din 933 | 2 |
| 26 | MPA 01 010 290 | front plate gx270 | 1 |
| 27 | BS 512 001 048 | bolt m10x80 din 933 | 2 |
| 28 | BS 511 001 042 | bolt m10x50 din 931 | 1 |
| 29 | BB 011 000 200 | starlock 20mm | 2 |
| 30 | BW 040 020 000 | wheel 4.80-4 | 2 |
| 31 | MPA 01 041 050 | foot major 4s | 1 |
| 32 | BR 900 000 110 | rubber socks dia 90x18mm | 2 |
| 33 | BS 512 000 840 | bolt m8x40 din 933 | 4 |
| 34 | BS 532 008 356 | washer m8x35x3 | 4 |
| 35 | BM 202 109 000 | honda gx 270 | 1 |
| 36 | BS 501 001 000 | nut m10 din 934 | 2 |
| 37 | BR 021 150 250 | cap pvc black 50x25 | 2 |
| 38 | MPA 01 041 250 | wheel shaft major 4s | 1 |
| 39 | BS 531 002 000 | washer m20 din 125 | 2 |



ELIET MAJOR 4S -- ROTOR

| | | | | | |
|----|----------------|-----|---|------|------------|
| NO | MMA 01 041 130 | REV | 1 | DATE | 2016/03/08 |
|----|----------------|-----|---|------|------------|

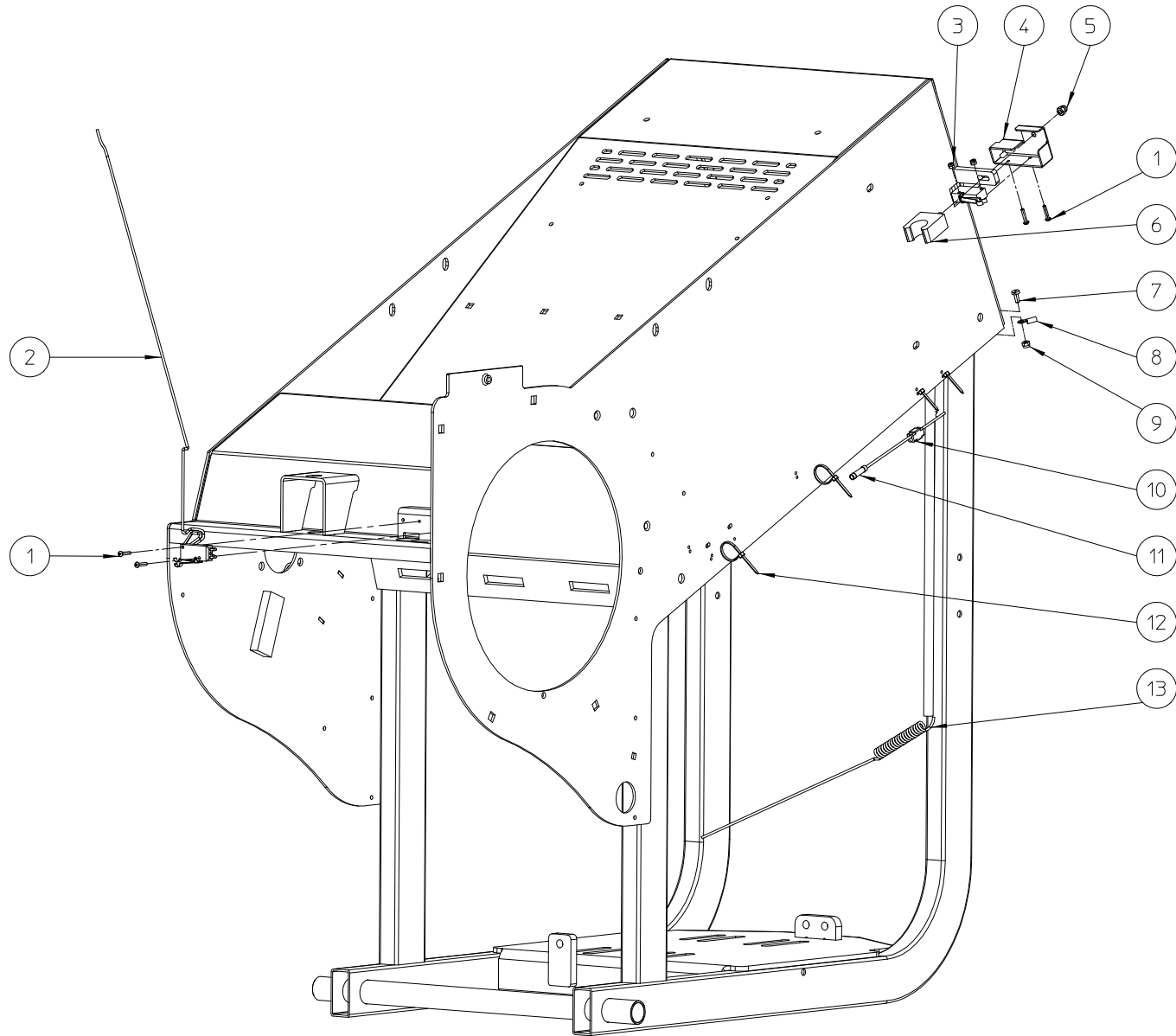
| # | Order nr | article description | quantity |
|----|----------------|--|----------|
| 1 | BS 512 000 820 | bolt m8x20 din 933 | 3 |
| 2 | BS 531 000 800 | washer m8 din 125 | 9 |
| 3 | BL 801 502 500 | bearing + flanges aspf 205 | 2 |
| 4 | MPA 01 041 270 | bearing protection cover pf205 | 1 |
| 5 | BS 502 000 800 | self locking nut m8 din 985 | 6 |
| 6 | MPA 01 041 060 | rotor major 4s | 1 |
| 7 | BB 351 080 760 | key 8x7x60 din 6885a | 1 |
| 8 | MPA 01 041 070 | propeller major 4s | 1 |
| 9 | BS 023 000 810 | set screw m8x10 din 916 | 2 |
| 10 | BS 554 100 820 | bolt m8x20 din 603 | 3 |
| 11 | MPA 01 041 260 | bearing protection cover pf205 + shaft | 1 |
| 12 | BU 401 200 302 | set of knives (20) | 1 |
| 13 | BS 011 000 822 | bolt m8x22 din 931 | 0 |



ELIET MAJOR 4S --- TRANSMISSION

| | | | | | |
|----|----------------|-----|---|------|------------|
| NO | MMA 01 041 140 | REV | 3 | DATE | 2015/11/04 |
|----|----------------|-----|---|------|------------|

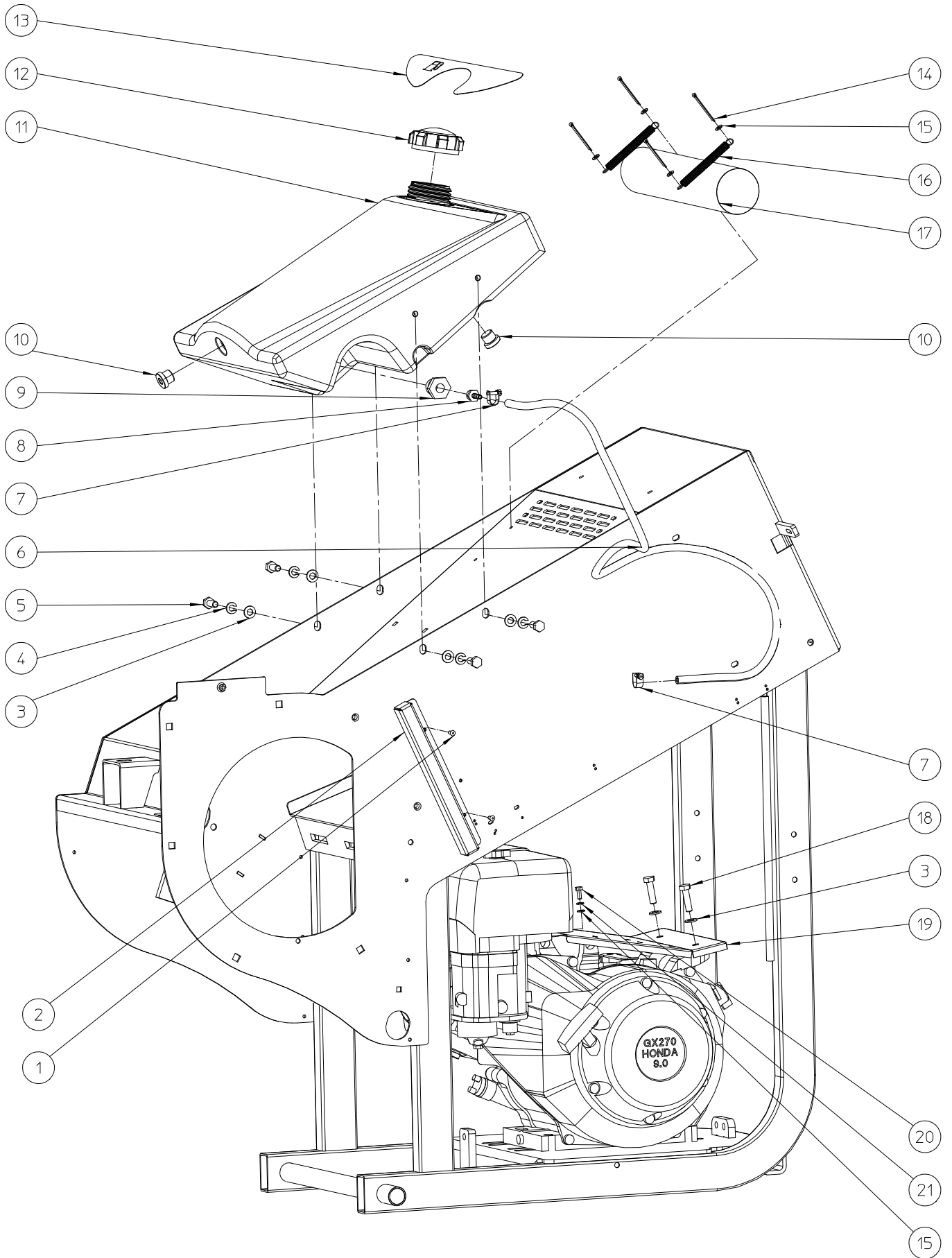
| # | Order nr | article description | quantity |
|----|----------------|--|----------|
| 1 | BS 512 000 610 | bolt m6x10 din 933 | 6 |
| 2 | BS 531 000 600 | washer m6 din 125 | 8 |
| 3 | MPA 01 010 170 | protection engine shaft | 1 |
| 4 | BR 500 103 800 | rubber plug 42x38x1.6 | 1 |
| 5 | MPA 01 030 120 | transmission guard (inside) | 1 |
| 6 | BS 023 000 812 | set screw m8x12 din 916 | 4 |
| 7 | BA 565 714 001 | pulley spa 140x25x8 | 1 |
| 8 | BB 341 080 745 | key 8x7x45 din 6880 | 1 |
| 9 | MPA 01 010 180 | belt catcher | 2 |
| 10 | BS 501 000 800 | nut m8 din 934 | 4 |
| 11 | BA 521 216 000 | belt xpa 1600 | 1 |
| 12 | BR 000 910 600 | rubber u-moulding 600mm | 1 |
| 13 | BV 904 000 010 | compression spring Ø8.5x30mm fil Ø1mm | 1 |
| 14 | MPA 01 041 120 | transmission guard mi/ma 4s | 1 |
| 15 | BS 531 000 800 | washer m8 din 125 | 1 |
| 16 | BS 512 000 816 | bolt m8x16 din 933 | 1 |
| 17 | MPA 01 041 210 | flap mi/ma 4s | 1 |
| 18 | BS 512 000 625 | bolt m6x25 din 933 | 1 |
| 19 | BB 011 000 050 | starlock 5mm | 1 |
| 20 | BN 630 206 000 | lob knob 188-40 m6 | 1 |
| 21 | BS 532 006 183 | washer m6x18x1.5 | 1 |
| 22 | BS 554 100 640 | bolt m6x40 din 603 | 1 |
| 23 | MPA 01 041 140 | lever to unblock mi/ma 4s | 1 |
| 24 | BV 904 000 020 | compression spring lever h.32 dia e.24 galvanized nt.6 | 1 |
| 25 | BS 532 005 202 | washer m5x20x1.5 | 1 |
| 26 | BB 221 005 120 | pop plug steel 4.8x12 din 7337 a | 1 |
| 27 | BS 502 000 600 | self locking nut m6 din 985 | 2 |
| 28 | BS 532 006 253 | washer m6x25x1.5 | 1 |
| 29 | BS 512 000 640 | bolt m6x40 din 933 | 1 |
| 30 | BB 342 060 640 | key 6.35x6.35x40 din 6880 | 1 |
| 31 | BA 565 711 201 | pulley spa 112 (engine) | 1 |



ELIET MAJOR 4S -- ELECTRICAL SYSTEM

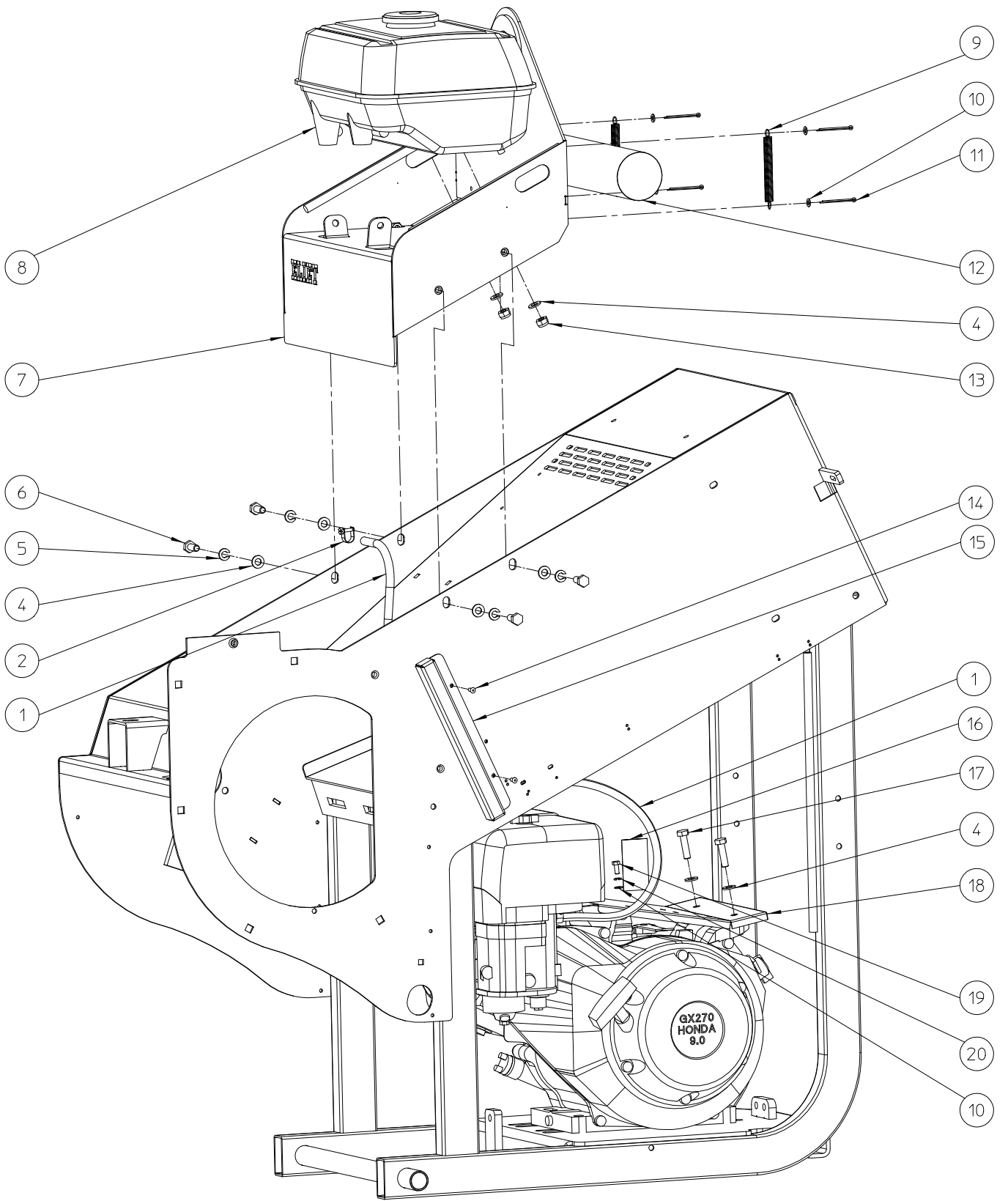
| | | | | | |
|----|----------------|-----|---|------|------------|
| NO | MMA 01 041 150 | REV | 1 | DATE | 2014/01/24 |
|----|----------------|-----|---|------|------------|

| # | Order nr | article description | quantity |
|----|----------------|-----------------------------|----------|
| 1 | BS 522 500 316 | screw m3x16 iso 7380 | 4 |
| 2 | BE 120 010 500 | safety switch | 2 |
| 3 | BS 502 000 300 | self locking nut m3 din 985 | 2 |
| 4 | MPA 01 010 200 | cover for safety switch | 1 |
| 5 | BS 505 500 500 | nut m5 din 1587 | 1 |
| 6 | BT 654 001 901 | clam 19mm | 1 |
| 7 | BS 541 000 410 | screw m4x10 din 84 | 1 |
| 8 | BE 031 013 000 | eyed terminal m6 | 1 |
| 9 | BS 502 000 400 | self locking nut m4 din 985 | 1 |
| 10 | BE 031 034 201 | blue wire connector 2.5mm | 1 |
| 11 | BE 031 013 400 | cable connexion red | 1 |
| 12 | BE 043 010 100 | wrap tie 100x2.5 | 4 |
| 13 | BE 090 231 141 | red wire 1.5 ce 114 | 1 |



| ELIET MAJOR 4S -- RENTAL KIT | | | | | |
|------------------------------|----------------|-----|---|------|------------|
| NO | MMA 01 041 160 | REV | 2 | DATE | 2014/02/25 |

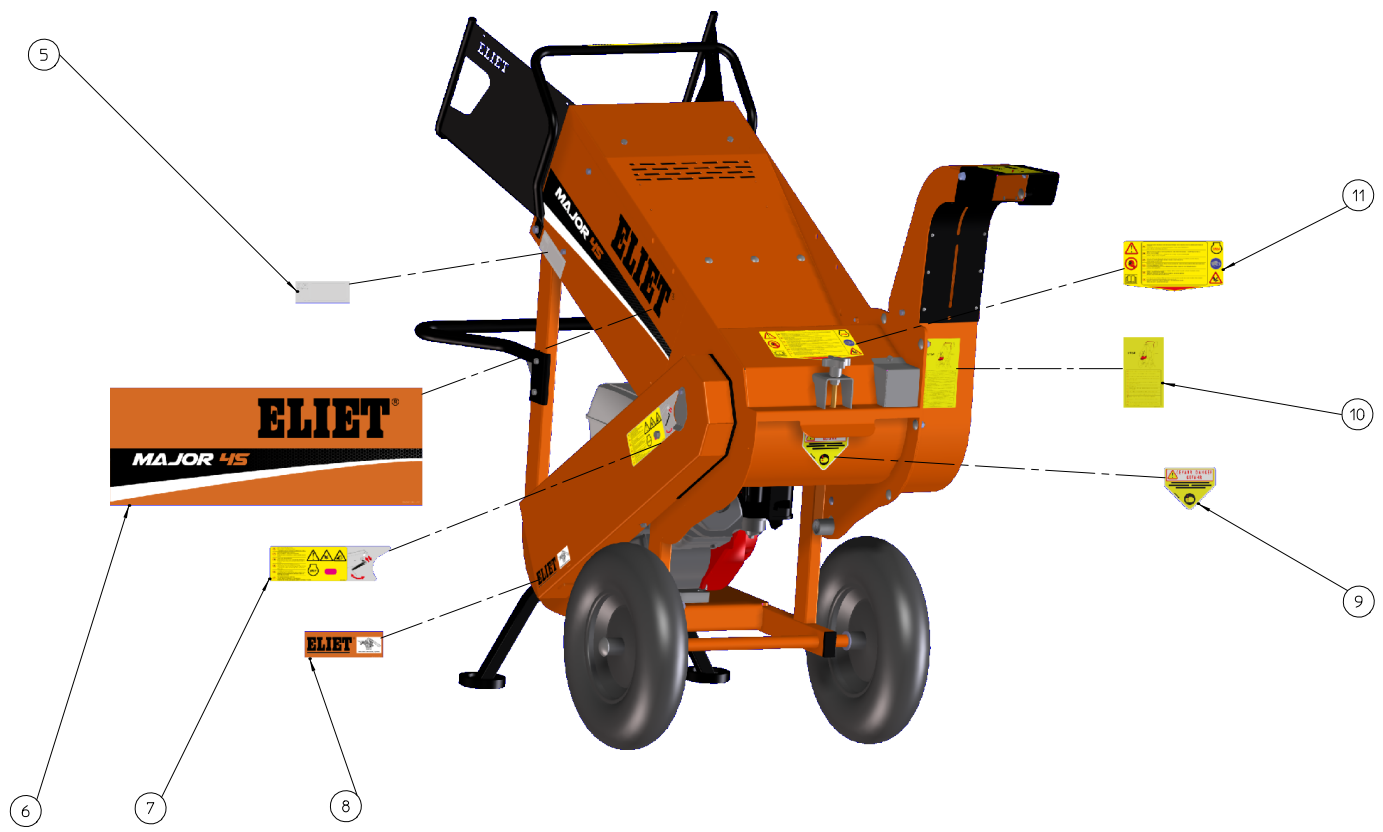
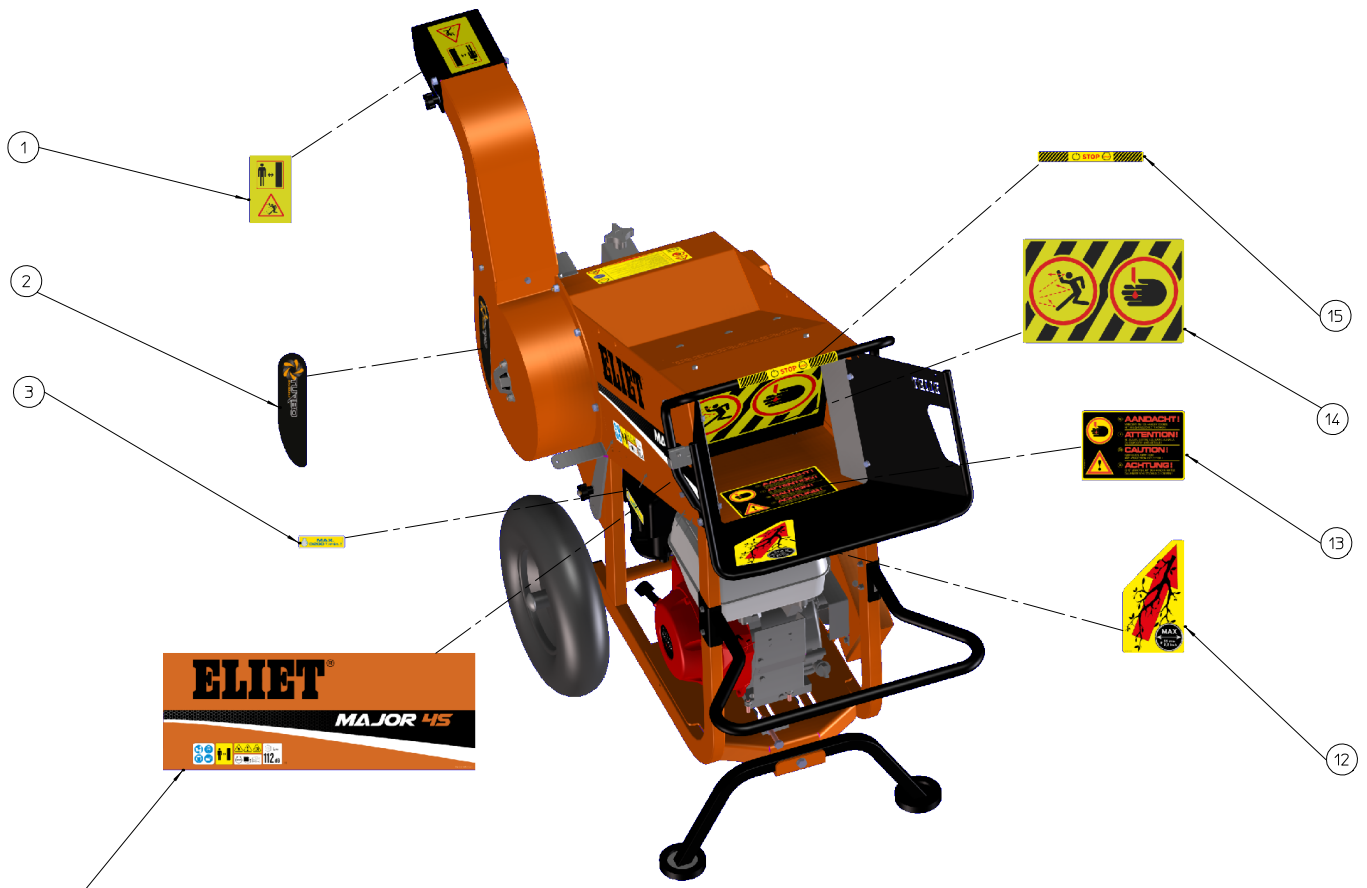
| # | Order nr | article description | quantity |
|----|----------------|--------------------------------|----------|
| 1 | BB 221 104 100 | pop plug alu 3.9x10 din 7337 a | 2 |
| 2 | MPA 01 041 290 | protection petrol pipe | 1 |
| 3 | BS 531 000 800 | washer m8 din 125 | 6 |
| 4 | BS 533 000 800 | lock washer m8 din 127b | 4 |
| 5 | BS 512 000 820 | bolt m8x20 din 933 | 4 |
| 6 | BR 202 005 100 | fuel hose 5.5x1000mm | 1 |
| 7 | BT 670 109 110 | hose clamp 9x11mm | 2 |
| 8 | BT 136 260 406 | end piece 1/4" - 6mm | 1 |
| 9 | BH 514 100 804 | reduction stud (m-f) 1/2"-1/4" | 1 |
| 10 | BH 518 500 600 | blanking plug 3/8" | 2 |
| 11 | BY 717 210 014 | plastic tank | 1 |
| 12 | BH 720 505 585 | cap for tank | 1 |
| 13 | BQ 501 300 020 | sticker petrol reservoir | 1 |
| 14 | BB 135 050 401 | split pins Ø 3,2x40 din 94 | 4 |
| 15 | BS 531 000 500 | washer m5 din 125 | 5 |
| 16 | BV 011 010 010 | spring 1.0x10x100 | 2 |
| 17 | BQ 051 320 550 | manual casing 320mm | 1 |
| 18 | BS 512 000 830 | bolt m8x30 din 933 | 2 |
| 19 | MPA 01 040 580 | protection plate engine | 1 |
| 20 | BS 512 000 512 | bolt m5x12 din 933 | 1 |
| 21 | BS 533 000 500 | lock washer m5 din 127b | 1 |



ELIET MAJOR 4S -- METAL TANK RENTAL KIT

| | | | | | |
|----|----------------|-----|---|------|------------|
| NO | MMA 01 041 170 | REV | 2 | DATE | 2014/01/24 |
|----|----------------|-----|---|------|------------|

| # | Order nr | article description | quantity |
|----|----------------|--------------------------------|----------|
| 1 | BR 202 005 110 | fuel hose 5.5x1100mm | 1 |
| 2 | BT 670 109 110 | hose clamp 9x11mm | 2 |
| 4 | BS 531 000 800 | washer m8 din 125 | 10 |
| 5 | BS 533 000 800 | lock washer m8 din 127b | 4 |
| 6 | BS 512 000 820 | bolt m8x20 din 933 | 4 |
| 7 | MPA 01 041 200 | petrol reservoir support | 1 |
| 8 | BM 202 109 000 | honda gx 270 | 1 |
| 9 | BV 011 010 010 | spring 1.0x10x100 | 2 |
| 10 | BS 531 000 500 | washer m5 din 125 | 5 |
| 11 | BB 135 050 401 | split pins Ø 3,2x40 din 94 | 4 |
| 12 | BQ 051 320 550 | manual casing 320mm | 1 |
| 13 | BS 502 000 800 | self locking nut m8 din 985 | 4 |
| 14 | BB 221 104 100 | pop plug alu 3.9x10 din 7337 a | 2 |
| 15 | MPA 01 041 290 | protection petrol pipe | 1 |
| 16 | BQ 505 010 391 | safety stop sticker 135x75mm | 1 |
| 17 | BS 512 000 830 | bolt m8x30 din 933 | 2 |
| 18 | MPA 01 040 580 | protection plate engine | 1 |
| 19 | BS 512 000 512 | bolt m5x12 din 933 | 1 |
| 20 | BS 533 000 500 | lock washer m5 din 127b | 1 |



| MAJOR 4S -- STICKERS ELIET | | | | | | | |
|----------------------------|----------------|-----|---|------|------------|--|--|
| NO | MMA 01 041 210 | REV | 1 | DATE | 2015/11/04 | | |

| # | Order nr | article description | quantity |
|----|----------------|--|----------|
| 1 | BQ 505 014 100 | safety sticker eject | 1 |
| 2 | BQ 501 010 110 | sticker turbo discharge 220x57 | 1 |
| 3 | BQ 505 010 030 | sticker max 3200 rpm 90x25 | 1 |
| 4 | BQ 501 040 030 | sticker eliet major 4s (l) | 1 |
| 5 | BQ 505 010 010 | identity sticker ce 120x30 | 1 |
| 6 | BQ 501 040 040 | sticker eliet major 4s (r) | 1 |
| 7 | BQ 505 010 430 | safety sticker protection cover 231 x 65 | 1 |
| 8 | BQ 501 010 120 | | 1 |
| 9 | BQ 505 010 070 | safety sticker 100x80 (hand cuts) | 1 |
| 10 | BQ 505 010 391 | safety stop sticker 135x75mm | 1 |
| 11 | BQ 505 010 420 | sticker check blade bolts 200 x 86 | 1 |
| 12 | BQ 501 040 050 | sticker direction input major | 1 |
| 13 | BQ 505 010 110 | safety sticker 190x125 (in feed) | 1 |
| 14 | BQ 505 010 090 | safety sticker 310x200 | 1 |
| 15 | BQ 505 010 440 | | 1 |