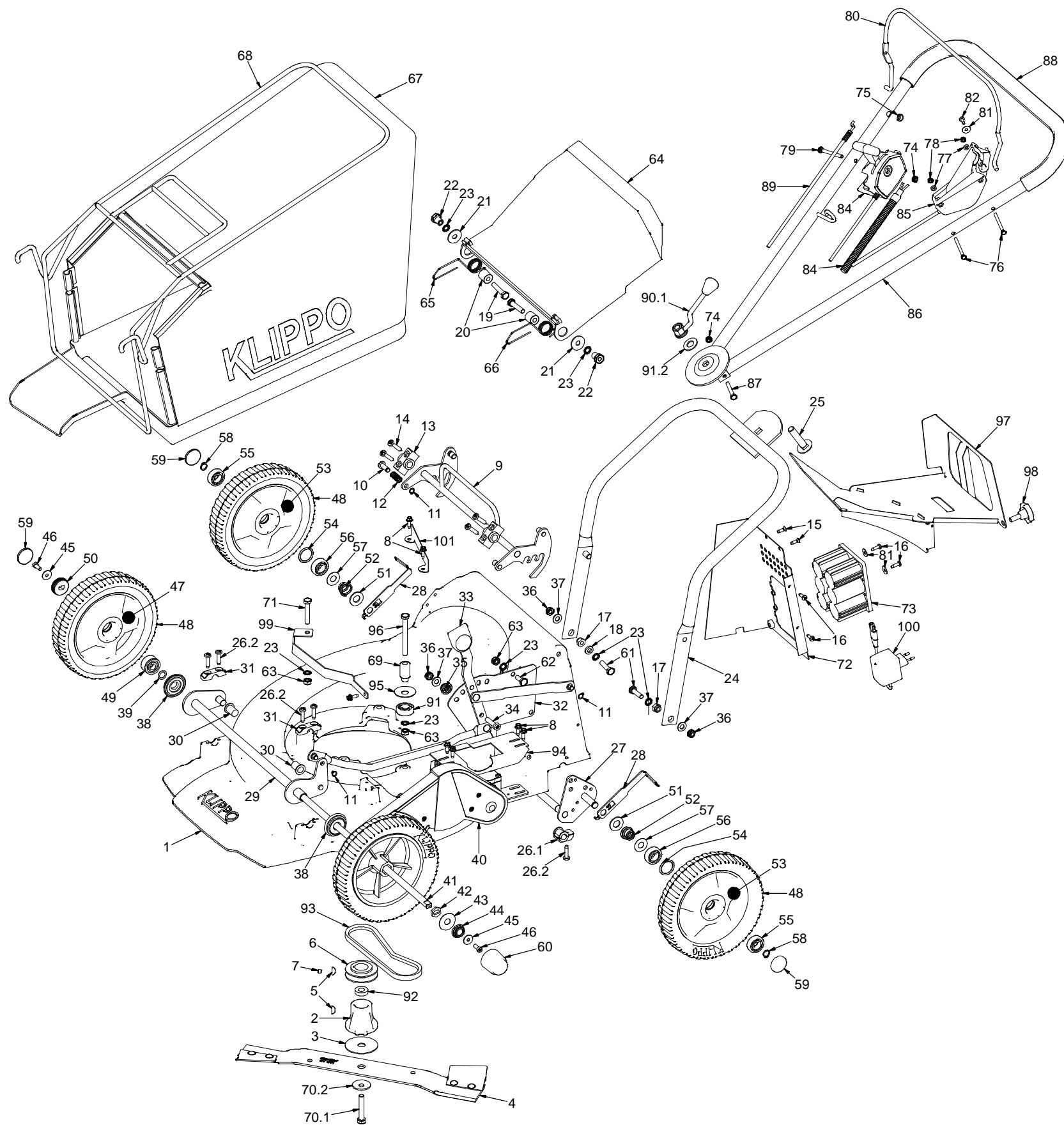




965 864 101 – Cobra SE II – 2009

Motor: 5254029-01
Briggs & Stratton



Pos	Art.number	Art.nr Klippo	Description	Pos	Art.number	Art.nr Klippo	Description
1	5225908-01	N/A	COVER COBRA	61	5044591-01	7056	SCREW M6S M8x30 FZ
2	5032583-01	0301	BLADE BRACKET	62	5044558-01	7010	SCREW M6S M8x20 FZ
3	5032594-01	0323	FIBRE WASHER	63	5044572-01	7032	NUT M6M M8 FZ
4	5029909-01	6023	BLADE COBRA	64	5033254-01	1829	PROTECTION LID
5	5044605-01	7075	WOODRUF WEDGE	65	5033327-01	2215	TORSION SPRING RIGHT
6	5225913-01	N/A	PULLEY	66	5033328-01	2216	TORSION SPRING LEFT
7	5293094-01	N/A	STOP SCREW	67	5033260-01	1841	COLLECTOR BAG
8	5044676-01	7627	SCREW M6SF-TT M5x16 FZ	68	5033259-01	1840	COLLECTOR FRAME
9	5028930-01	02511	ADJUSTM.DEV. HANDLE	69	5225905-01	N/A	BUSHING
10	5028750-01	11531	HANDLE LOCK	70	5032727-01	0908	SCREW AND CUP SPRING
11	5044581-01	7040	CLAMP RING SGA 8X0.8	71	5044662-01	7603	SCREW M6S M8x45 FZ
12	5033329-01	2217	COMPRESSION SPRING	72	5032578-01	0270	INSERT WALL
13	5032573-01	0256	HOLDER ADJUST DEVICE	73	5028962-01	5072	BATTERY
14	5044590-01	7055	SCREW RTS 6.3x32 Torx FZ	74	5044561-01	7018	LOCK NUT M6 NYLOCK FZ
15	5044600-01	7070	SCREW MFT-TT M5x16 FZ	75	5033209-01	1554	LOOP BUSHING
16	5044670-01	7618	SCREW MRT-GF TX M5x16 FZ	76	5044671-01	7619	SCREW M6S M5x55 FZ
17	5032847-01	1163	COLLAR NUT	77	5044672-01	7620	WASHER 10x5.3x3 FZ
18	5044675-01	7626	WASHER 16x8,4x3 FZ	78	5044603-01	7073	LOCK NUT M5 NYLOCK FZ
19	5044569-01	7028	SCREW M6S M8x40 FZ	79	5028823-01	70021	SCREW M6S M6x55 FZ
20	5032572-01	0252	BUSHING	80	5033139-01	1370	CONTROL BAR DRIVE, RED
21	5044614-01	7087	WASHER 28x9x2 FZ	81	5028965-01	7063	WASHER NB 16x5,2x1 FZ
22	5032848-01	11641	COLLAR NUT	82	5044593-01	7059	SCREW ST4,8x 13 FZ
23	5044580-01	7039	LOCK WASHER 8.4 FZ	83	5033096-01	1325	THROTTLE CONTROL
24	5032823-01	1119	HANDLE LOWER, YELLOW	84	5028806-01	50923	CABLE KIT
25	5044566-01	7025	WAGON BOLT M12x55	85	5033156-01	1381	DRIVE CONTROL
26	5032742-01	0917	BEARING SLEEVE	86	5033158-01	1390	HANDLE UPPER, YELLOW
27	5032695-01	0714	REAR SHAFT	87	5044685-01	7807	SCREW M6S M6x40 FZ
28	5032773-01	1087	WHEEL CLEANER	88	5230528-01	N/A	HANDLE GRIP, BLACK
29	5032708-01	0718	TUBE SHAFT	89	5225437-01	N/A	BRAKE WIRE
30	5028981-01	7411	CASING, RED	90	5032982-01	1300	BALL HANDLE WITH WASHER
31	5044638-01	7408	FRONT SHAFT HOLDER, RED	91	5225920-01	N/A	BALL BEARING Ø12/32x10
32	5225906-01	N/A	ADJUSTMENT DEVICE	92	5225904-01	N/A	BUSHING
33	5044648-01	7419	KNOB, BLACK	93	5254804-01	N/A	V-BELT
34	5044669-01	7617	SCREW MLC6S M8x35 FZ	94	5224160-01	N/A	BELT GUARD
35	5032577-01	0265	COMPRESSION SPRING	95	5224172-01	N/A	WASHER
36	5044589-01	7052	LOCK NUT M8 NYLOCK FZ	96	7252467-01	N/A	SCREW M6S M8x80 FZ
37	5044610-01	7083	WASHER SRB 18x9x1,5 FZ	97	5029456-01	1809	MULCHER PLUG
38	5044636-01	7405	TUBULAR SHAFT BUSHING	98	5044673-01	7621	SCREW MULCHERPLUG
39	5044598-01	7068	WASHER 18x12x0.3 FZ	99	5229548-01	N/A	BELT GUARD
40	5225914-01	N/A	GEAR BOX	100	5029512-01	5077	BATTERY CHARGER
41	5032718-01	0739	DRIVE SHAFT 48	101	5256394-01	N/A	BELT GUIDE
42	5044613-01	7086	DRIVER				
43	5044609-01	70812	WASHER 34,3x12,1x0,7				
44	5033323-01	2209	COMPRESSION SPRING				
45	5044599-01	7069	WASHER 19x6x1.5 FZ				
46	5044567-01	7026	SCREW M6x16 ESLOCK				
47	5032755-01	1019	DRIVING WHEEL, RED				
48	5029451-01	1072	TYRE 43				
49	5032764-01	1062	BUSHING, NYLON				
50	5032762-01	1061	BUSHING, STEEL				
51	5044573-01	7033	WASHER SRB 28x14x2 FZ				
52	5033330-01	2220	COMPRESSION SPRING				
53	5032754-01	1018	FREE WHEEL, RED				
54	5044618-01	7092	SPACER				
55	5028827-01	70081	BALL BEARING Ø12/32x9				
56	5032429-01	70091	BALL BEARING Ø12/32x10				
57	5044576-01	7036	WASHER 27x12,2x0.5 FZ				
58	5044583-01	7042	CLAMP RING SGA 12X1.5				
59	5032751-01	1010	HUB CAP				
60	5044651-01	7421	CENTER LID				

REMARKS:

POS 4: INCLUDE POS 3.

POS 24: INCLUDE POS 25.

POS 32: INCLUDE POS 33.

POS 41: INCLUDES POS 42, 43, 44, 45, AND 46.

POS 47: INCLUDES POS 48, 49 AND 50.

POS 53: INCLUDES POS 48, 54, 55 AND 56.

POS 86: INCLUDES POS 74.1, 87 AND 88.

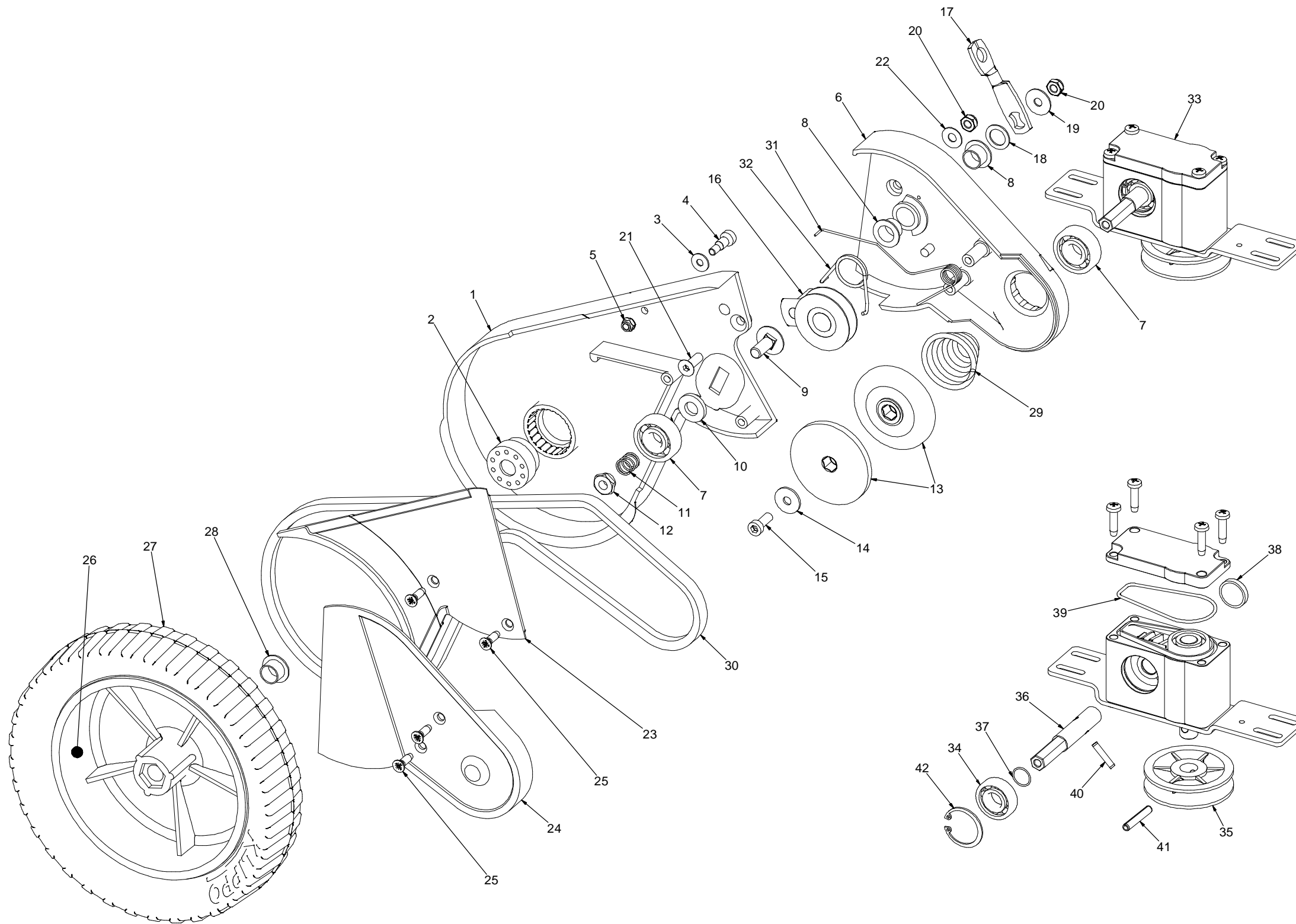
KITS:

5029322-01 (0924) BLADE BRACKET
CONSIST OF POS 2, 5 (ONE) AND 70.

5032722-01 (0903) ACCESSORIES FOR WHEEL:
CONSIST OF POS 52, 57, 58 AND 59 (4 OF EACH)



965 864 101 – Cobra SE II – 2009



Pos	Art.number	Art.nr Klippo	Description
1	5033283-01	1924	HOUSING FRONT
2	5033244-01	1795	BUSHING
3	5044560-01	7017	WASHER NB 13x5x1 FZ
4	5044619-01	7093	COLLAR SCREW
5	5044603-01	7073	LOCK NUT M5 NYLOCK FZ
6	5224163-01	N/A	HOUSING BACK
7	5032429-01	70091	BALL BEARING Ø12/32x10
8	5032771-01	1085	BUSHING
9	5044601-01	7071	WAGON BOLT M8x20 FZ
10	5044606-01	7077	WASHER 20x10x3 FZ
11	5033187-01	1455	COMPRESSION SPRING
12	5033176-01	1432	COLLAR NUT
13	5033295-01	1936	VARIATOR DISC
14	5044599-01	7069	WASHER 19x6x1.5 FZ
15	5044567-01	7026	SCREW M6x16 ESLOCK
16	5033230-01	1734	CLUTCH LEVER COMPL
17	5033227-01	1729	OPERATING ARM
18	5044608-01	7079	WASHER PS 18x12x1 FZ
19	5044661-01	7602	WASHER 19x6x1
20	5044561-01	7018	LOCK NUT M6 NYLOCK FZ
21	5044604-01	7074	SCREW MF6S M6x18 FZ
22	5033240-01	1769	CUP SPRING
23	5033284-01	1925	HOUSING COVER FRONT
24	5033285-01	1926	HOUSING COVER BACK
25	5044600-01	7070	SCREW MFT-TT M5x16 FZ
26	5033174-01	1426	DRIVING WHEEL AL, RED
27	5029451-01	1072	TYRE 43
28	5032771-01	1085	BUSHING
29	5033234-01	1755	COMPRESSION SPRING
30	5225907-01	N/A	V-BELT
31	5033307-01	1966	CONTROL SPRING
32	5033237-01	1765	MOMENT SPRING
33	5102121-01	N/A	WORM GEAR
34	5051501-01	1457	BALL BEARING Ø12/28x8
35	5033301-01	1952	PULLEY
36	5033302-01	1953	AUXIALRY SHAFT
37	5033303-01	1954	O-RING
38	5033304-01	1955	PLUG
39	5022205-01	1956	O-RING
40	5044554-01	7002	DOWEL PIN
41	5044555-01	7003	DOWEL PIN
42	5051502-01	7043	CIRCLIP SgH 27

REMARKS:

POS 1: INCLUDE POS 2.

POS 6: INCLUDE POS 7.