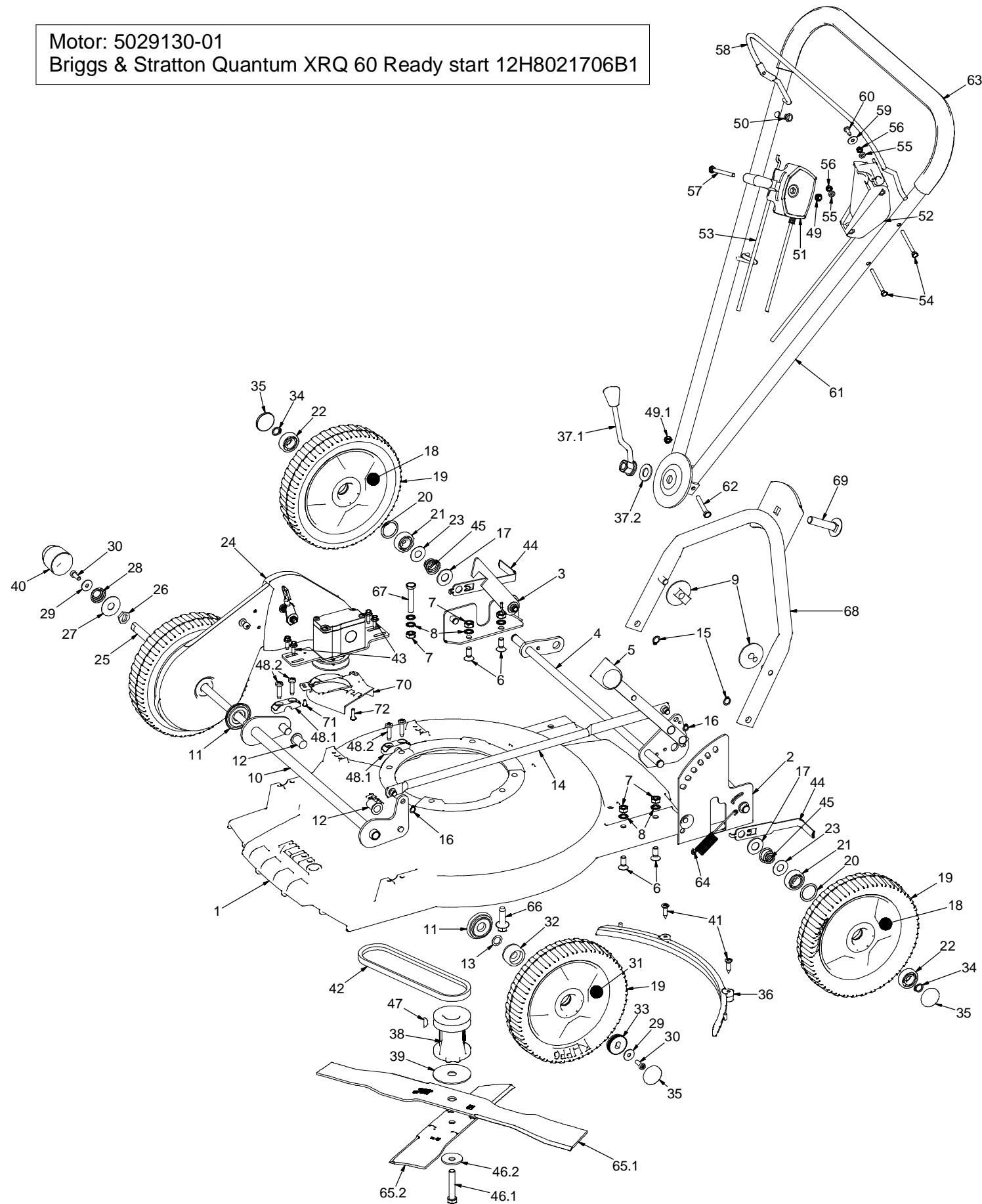




965 227 801 – Excellent S – 2009

Motor: 5029130-01
Briggs & Stratton Quantum XRQ 60 Ready start 12H8021706B1



| Pos | Art.number | Art.nr Klippo | Description | Pos | Art.number | Art.nr Klippo | Description |
|-----|------------|---------------|---------------------------|-----|------------|---------------|----------------------|
| 1 | 5054387-01 | 0122 | COVER 48, RED | 61 | 5033158-01 | 1390 | HANDLE UPPER, YELLOW |
| 2 | 5032490-01 | 0207 | HANDLE HOLDER LEFT, RED | 62 | 5044685-01 | 7807 | SCREW M6S M6x40 FZ |
| 3 | 5032658-01 | 0507 | CORNER RIGHT, RED | 63 | 5230528-01 | N/A | HANDLE GRIP, BLACK |
| 4 | 5032580-01 | 0272 | REAR SHAFT | 64 | 5032576-01 | 0264 | TENSION SPRING |
| 5 | 5044647-01 | 7418 | KNOB, BLACK | 65 | 5029689-01 | 6008 | CROSS CUT 48 |
| 6 | 5044570-01 | 7029 | SCREW MFS M8X18 FZ | 66 | 5028829-01 | 70701 | SCREW DG-93x30Z FZ |
| 7 | 5044572-01 | 7032 | NUT M6M M8 FZ | 67 | 5044662-01 | 7603 | SCREW M6S M8X45 FZ |
| 8 | 5044580-01 | 7039 | LOCK WASHER 8.4 FZ | 68 | 5032843-01 | 1130 | HANDLE LOWER, YELLOW |
| 9 | 5044640-01 | 7410 | ADJUSTING WHEEL, BLACK | 69 | 5044566-01 | 7025 | WAGON BOLT M12x55 |
| 10 | 5032692-01 | 0711 | TUBULAR SHAFT 53 | 70 | 5225463-01 | N/A | BELT GUARD |
| 11 | 5044636-01 | 7405 | TUBULAR SHAFT BUSHING | 71 | 5226356-01 | N/A | SCREW MRT-TT M4X8 FZ |
| 12 | 5028981-01 | 7411 | CASING, RED | 72 | 5226357-01 | N/A | SCREW MRT M5X16 FZ |
| 13 | 5044598-01 | 7068 | WASHER 18x12x0.3 FZ | | | | |
| 14 | 5032495-01 | 0228 | HEIGHT ADJUST BAR 48, RED | | | | |
| 15 | 5044582-01 | 7041 | CLAMP RING SGA 10X1 | | | | |
| 16 | 5044581-01 | 7040 | CLAMP RING SGA 8X0.8 | | | | |
| 17 | 5044573-01 | 7033 | WASHER SRB 28x14x2 FZ | | | | |
| 18 | 5032754-01 | 1018 | FREE WHEEL, RED | | | | |
| 19 | 5029451-01 | 1072 | TYRE 43 | | | | |
| 20 | 5044618-01 | 7092 | SPACER | | | | |
| 21 | 5032429-01 | 70091 | BALL BEARING Ø12/32x10 | | | | |
| 22 | 5028827-01 | 70081 | BALL BEARING Ø12/32x9 | | | | |
| 23 | 5044576-01 | 7036 | WASHER 27x12,2x0.5 FZ | | | | |
| 24 | 5033298-01 | 1945 | GEAR BOX, RED | | | | |
| 25 | 5032718-01 | 0739 | DRIVE SHAFT 48 | | | | |
| 26 | 5044613-01 | 7086 | DRIVER | | | | |
| 27 | 5044609-01 | 70812 | WASHER 34,3x12,1x0,7 | | | | |
| 28 | 5033323-01 | 2209 | COMPRESSION SPRING | | | | |
| 29 | 5044599-01 | 7069 | WASHER 19x6x1.5 FZ | | | | |
| 30 | 5044567-01 | 7026 | SCREW M6x16 ESLOCK | | | | |
| 31 | 5032755-01 | 1019 | DRIVING WHEEL, RED | | | | |
| 32 | 5032764-01 | 1062 | BUSHING, NYLON | | | | |
| 33 | 5032762-01 | 1061 | BUSHING, STEEL | | | | |
| 34 | 5044583-01 | 7042 | CLAMP RING SGA 12X1.5 | | | | |
| 35 | 5032751-01 | 1010 | HUB CAP | | | | |
| 36 | 5032430-01 | 7437 | MULCHER WALL 48 | | | | |
| 37 | 5032982-01 | 1300 | BALL HANDLE WITH WASHER | | | | |
| 38 | 5032592-01 | 0312 | BLADE BRACKET | | | | |
| 39 | 5032594-01 | 0323 | FIBRE WASHER | | | | |
| 40 | 5044651-01 | 7421 | CENTER LID | | | | |
| 41 | 5044565-01 | 7024 | SCREW KFTS 6.3X25 FZ | | | | |
| 42 | 5254800-01 | 1480 | V-BELT | | | | |
| 43 | 5044676-01 | 7627 | SCREW M6SF-TT M5X16 FZ | | | | |
| 44 | 5032773-01 | 1087 | WHEEL CLEANER | | | | |
| 45 | 5033330-01 | 2220 | COMPRESSION SPRING | | | | |
| 46 | 5032727-01 | 0908 | SCREW WITH CUP SPRING | | | | |
| 47 | 5044605-01 | 7075 | WOODRUF WEDGE | | | | |
| 48 | 5032719-01 | 0902 | FRONT SHAFT HOLDER, RED | | | | |
| 49 | 5044561-01 | 7018 | LOCK NUT M6 NYLOCK FZ | | | | |
| 50 | 5033209-01 | 1554 | LOOP BUSHING | | | | |
| 51 | 5033095-01 | 1324 | THROTTLE CONTROL | | | | |
| 52 | 5033126-01 | 1355 | DRIVE CONTROL | | | | |
| 53 | 5033140-01 | 1371 | BRAKE WIRE | | | | |
| 54 | 5044671-01 | 7619 | SCREW M6S M5x55 FZ | | | | |
| 55 | 5044672-01 | 7620 | WASHER 10x5.3x3 FZ | | | | |
| 56 | 5044603-01 | 7073 | LOCK NUT M5 NYLOCK FZ | | | | |
| 57 | 5028823-01 | 70021 | SCREW M6S M6x55 FZ | | | | |
| 58 | 5033139-01 | 1370 | CONTROL BAR DRIVE, RED | | | | |
| 59 | 5028965-01 | 7063 | WASHER NB 16x5,2x1 FZ | | | | |
| 60 | 5044593-01 | 7059 | SCREW ST4,8x 13 FZ | | | | |

REMARKS:

POS 4: INCLUDE POS 5.

POS 18: INCLUDES POS 19, 20, 21 AND 22.

POS 25: INCLUDES POS 26, 27, 28, 29 AND 30.

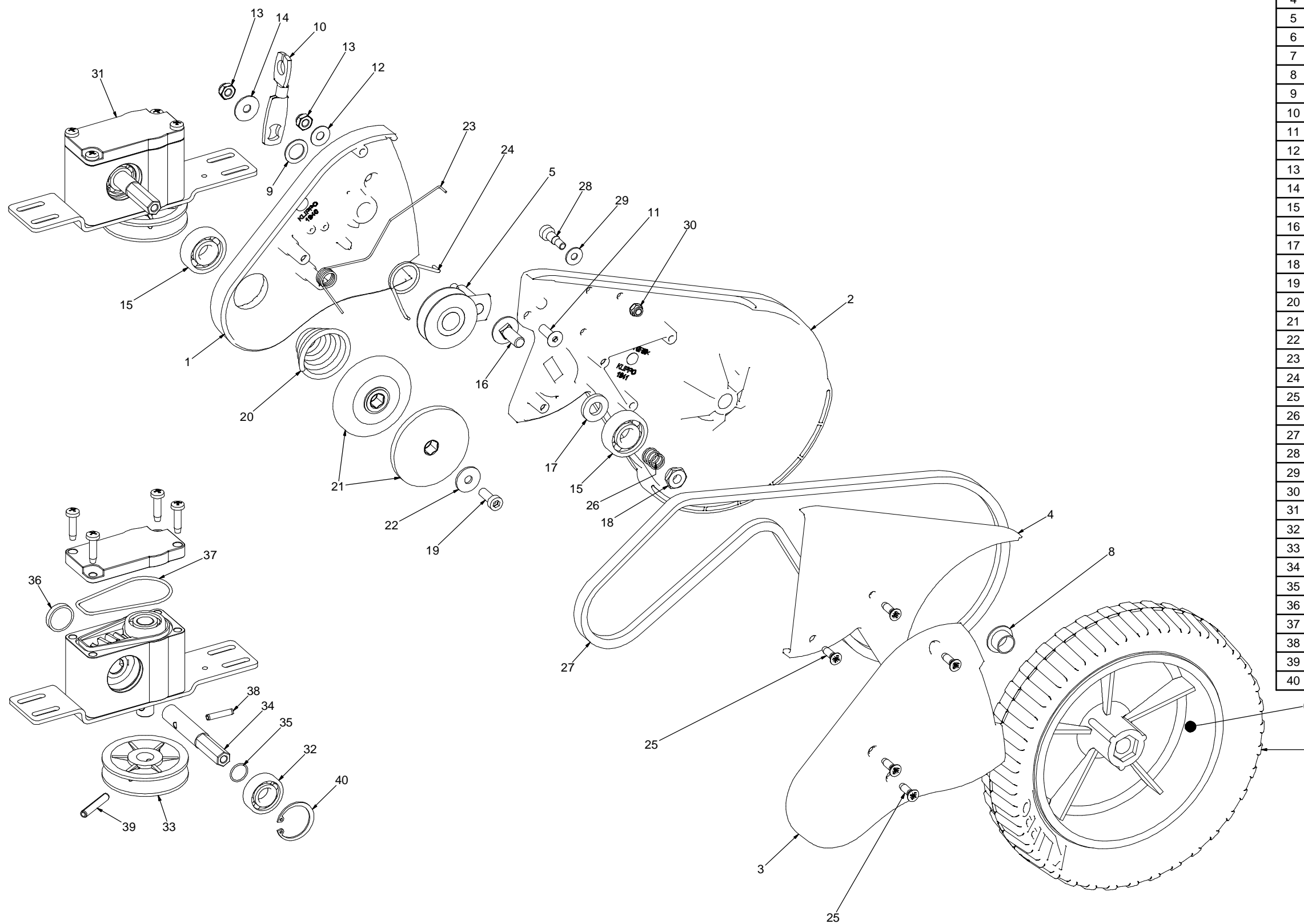
POS 31: INCLUDES POS 19, 32 AND 33.

POS 61: INCLUDES POS 49.1, 62 AND 63.

POS 68: INCLUDE POS 69.

KIT:

5032722-01 (0903) ACCESSORIES FOR WHEEL:
CONSIST OF POS 23, 34, 35 AND 45 (4 OF EACH)



| Pos | Art.number | Art.nr Klippo | Description |
|-----|------------|---------------|------------------------|
| 1 | 5028799-01 | 1940 | HOUSING BACK |
| 2 | 5028800-01 | 1941 | HOUSING FRONT |
| 3 | 5028801-01 | 1942 | HOUSING COVER BACK |
| 4 | 5028802-01 | 1943 | HOUSING COVER FRONT |
| 5 | 5033232-01 | 1735 | CLUTCH LEVER COMPL |
| 6 | 5033174-01 | 1426 | DRIVING WHEEL AL, RED |
| 7 | 5029451-01 | 1072 | TYRE 43 |
| 8 | 5032771-01 | 1085 | BUSHING |
| 9 | 5044608-01 | 7079 | WASHER PS 18x12x1 FZ |
| 10 | 5033227-01 | 1729 | OPERATING ARM |
| 11 | 5044604-01 | 7074 | SCREW MF6S M6x18 FZ |
| 12 | 5033240-01 | 1769 | CUP SPRING |
| 13 | 5044561-01 | 7018 | LOCK NUT M6 NYLOCK FZ |
| 14 | 5044661-01 | 7602 | WASHER 19x6x1 |
| 15 | 5032429-01 | 70091 | BALL BEARING Ø12/32x10 |
| 16 | 5044601-01 | 7071 | WAGON BOLT M8x20 FZ |
| 17 | 5044606-01 | 7077 | WASHER 20x10x3 FZ |
| 18 | 5033176-01 | 1432 | COLLAR NUT |
| 19 | 5044567-01 | 7026 | SCREW M6x16 ESLOCK |
| 20 | 5033234-01 | 1755 | COMPRESSION SPRING |
| 21 | 5033295-01 | 1936 | VARIATOR DISC |
| 22 | 5044599-01 | 7069 | WASHER 19x6x1.5 FZ |
| 23 | 5028803-01 | 1944 | CONTROL SPRING RIGHT |
| 24 | 5033266-01 | 1865 | MOMENT SPRING |
| 25 | 5044600-01 | 7070 | SCREW MFT-TT M5x16 FZ |
| 26 | 5033187-01 | 1455 | COMPRESSION SPRING |
| 27 | 5254799-01 | 1454 | V-BELT |
| 28 | 5044619-01 | 7093 | COLLAR SCREW |
| 29 | 5044560-01 | 7017 | WASHER NB 13x5x1 FZ |
| 30 | 5044603-01 | 7073 | LOCK NUT M5 NYLOCK FZ |
| 31 | 5033281-01 | 1912 | WORM GEAR |
| 32 | 5051501-01 | 1457 | BALL BEARING Ø12/28x8 |
| 33 | 5033301-01 | 1952 | PULLEY |
| 34 | 5033302-01 | 1953 | AUXIALRY SHAFT |
| 35 | 5033303-01 | 1954 | O-RING |
| 36 | 5033304-01 | 1955 | PLUG |
| 37 | 5022205-01 | 1956 | O-RING |
| 38 | 5044554-01 | 7002 | DOWEL PIN |
| 39 | 5044555-01 | 7003 | DOWEL PIN |
| 40 | 5051502-01 | 7043 | CIRCLIP SgH 27 |