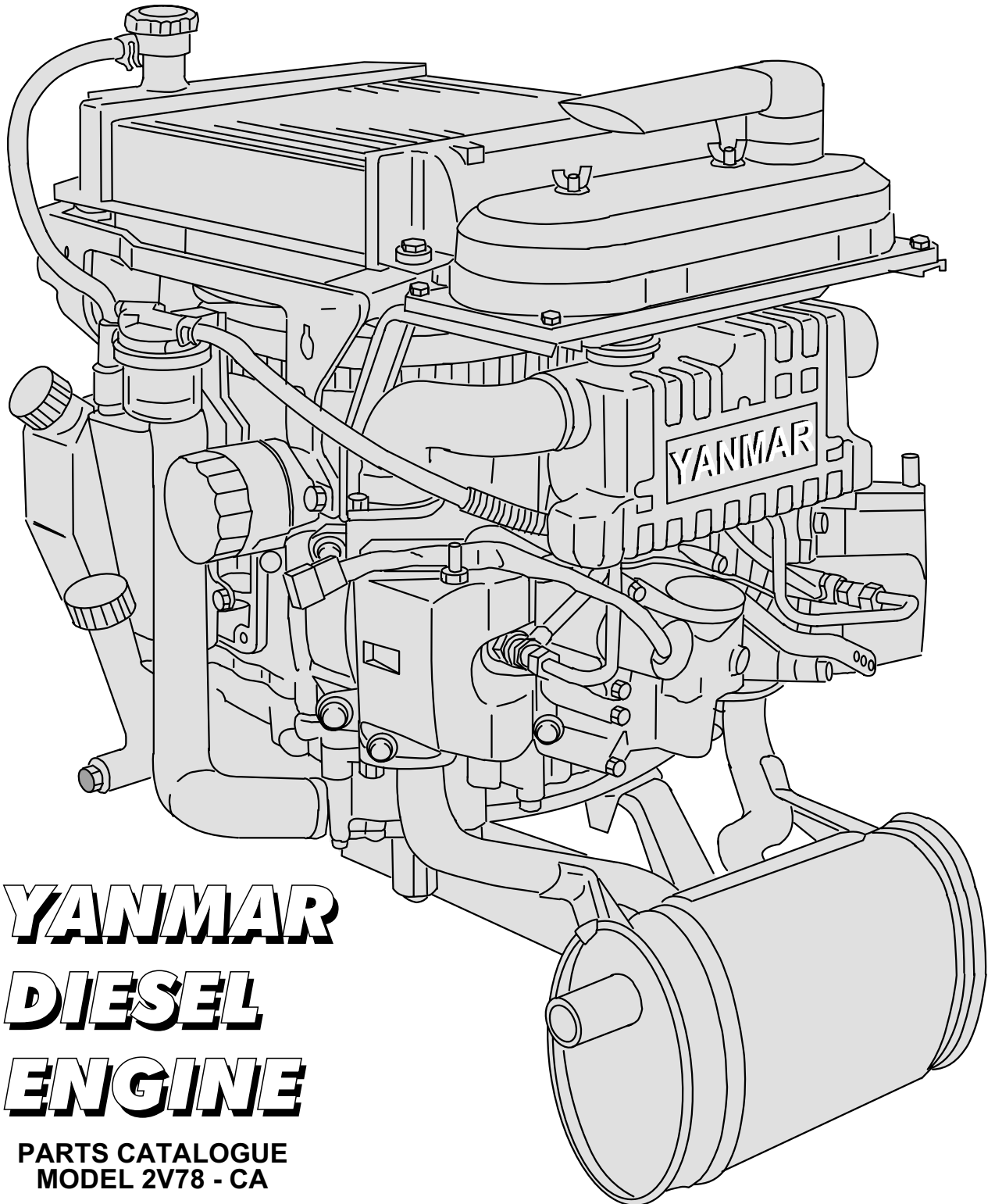


COUNTAX



YANMAR
DIESEL
ENGINE

PARTS CATALOGUE
MODEL 2V78 - CA

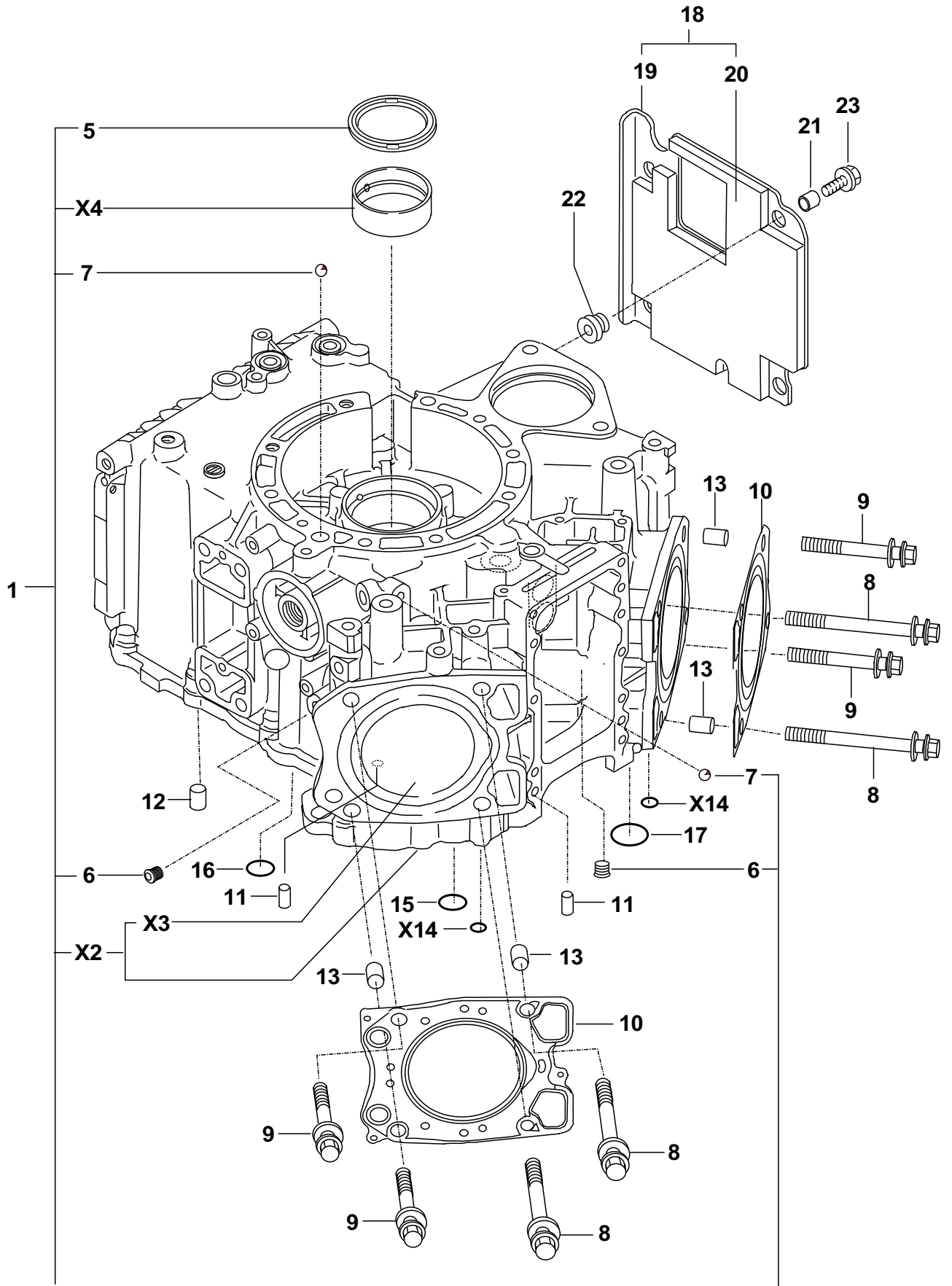
COUNTAX D18/50 TRACTOR

YANMAR DIESEL ENGINE - MODEL 2V78 - CA

SERVICE DRAWINGS & PARTS LISTS INDEX

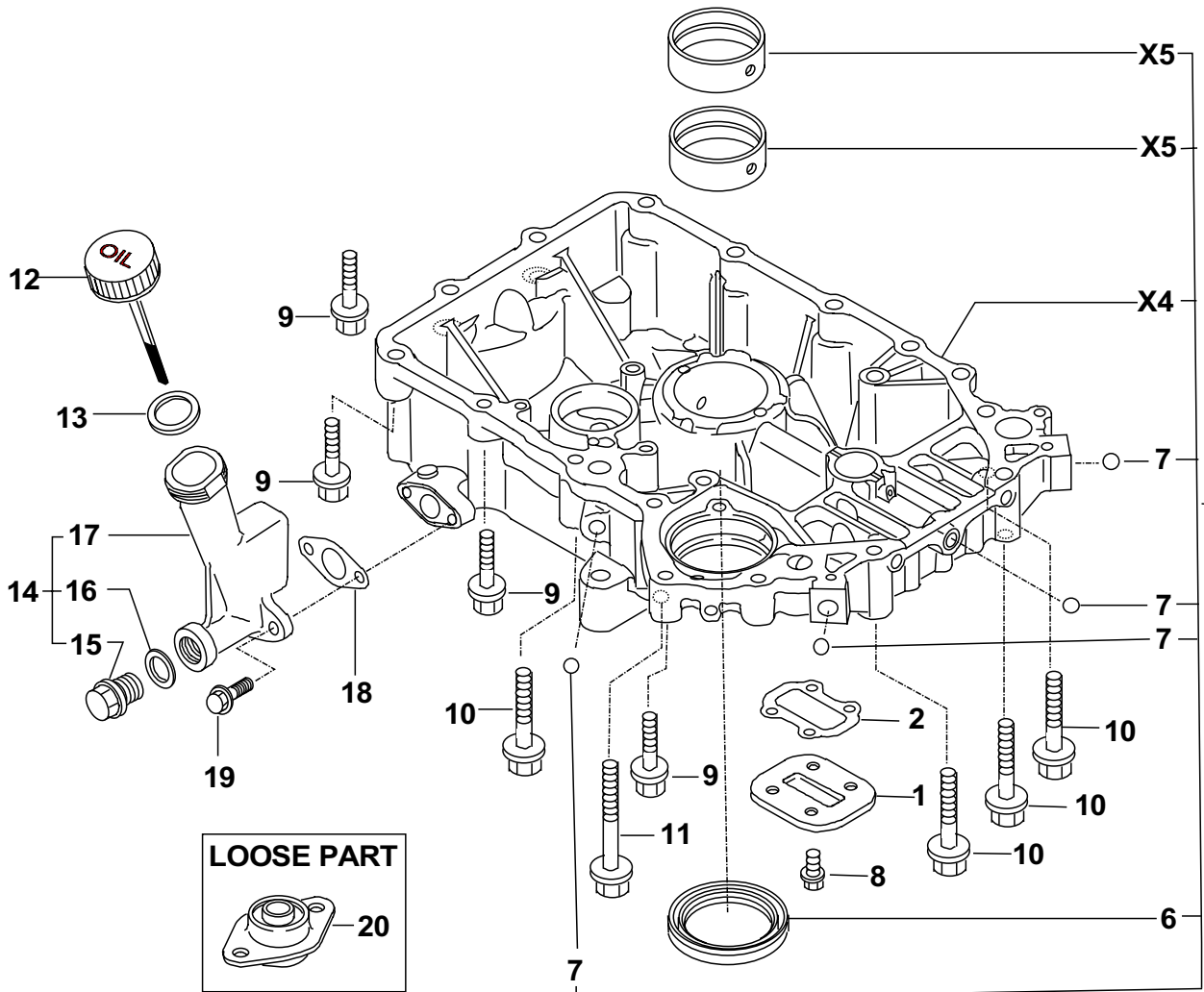
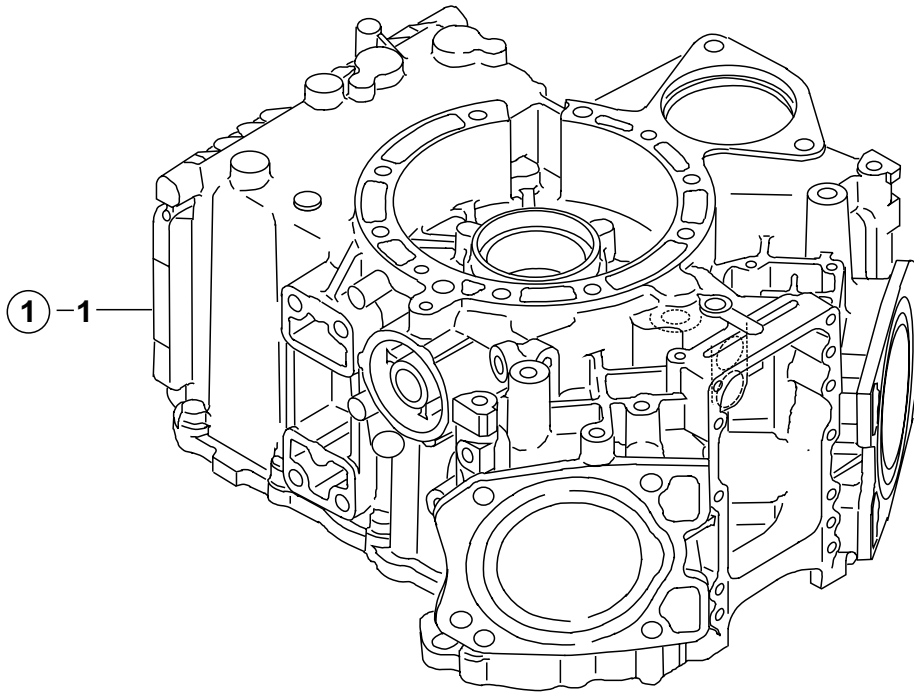
1. CYLINDER BLOCK
2. GEAR HOUSING
3. FLYWHEEL HOUSING & AIR CLEANER
4. CYLINDER HEAD & BONNET
5. SUCTION MANIFOLD & AIR CLEANER
6. EXHUAST MANIFOLD
7. CAMSHAFT & DRIVING GEAR
8. CRANK SHAFT & PISTON
9. LUB. OIL SYSTEM
10. COOLING WATER SYSTEM
11. RADIATOR
12. FUEL INJECTION PUMP
13. GOVERNOR
14. FUEL INJECTION VALVE
15. FUEL LINE
16. STARTING MOTOR
17. GENERATOR
18. GASKET KIT

1. CYLINDER BLOCK



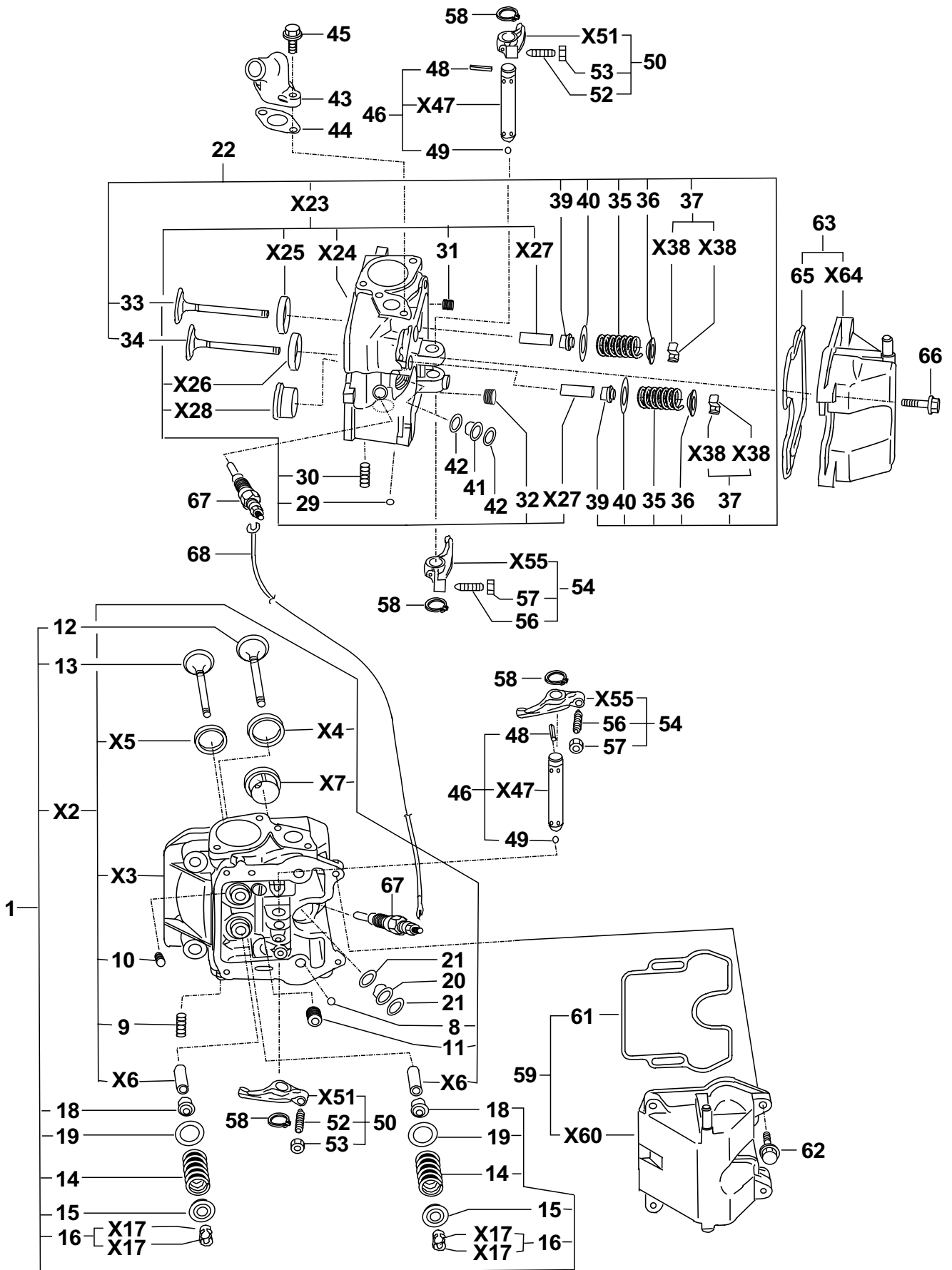
X - MARK PARTS: NOT SOLD SEPERATLY

2. GEAR HOUSING



X - MARK PARTS: NOT SOLD SEPARATELY

3.CYLINDER HEAD & BONNET



X - MARK PARTS: NOT SOLD SEPARATELY

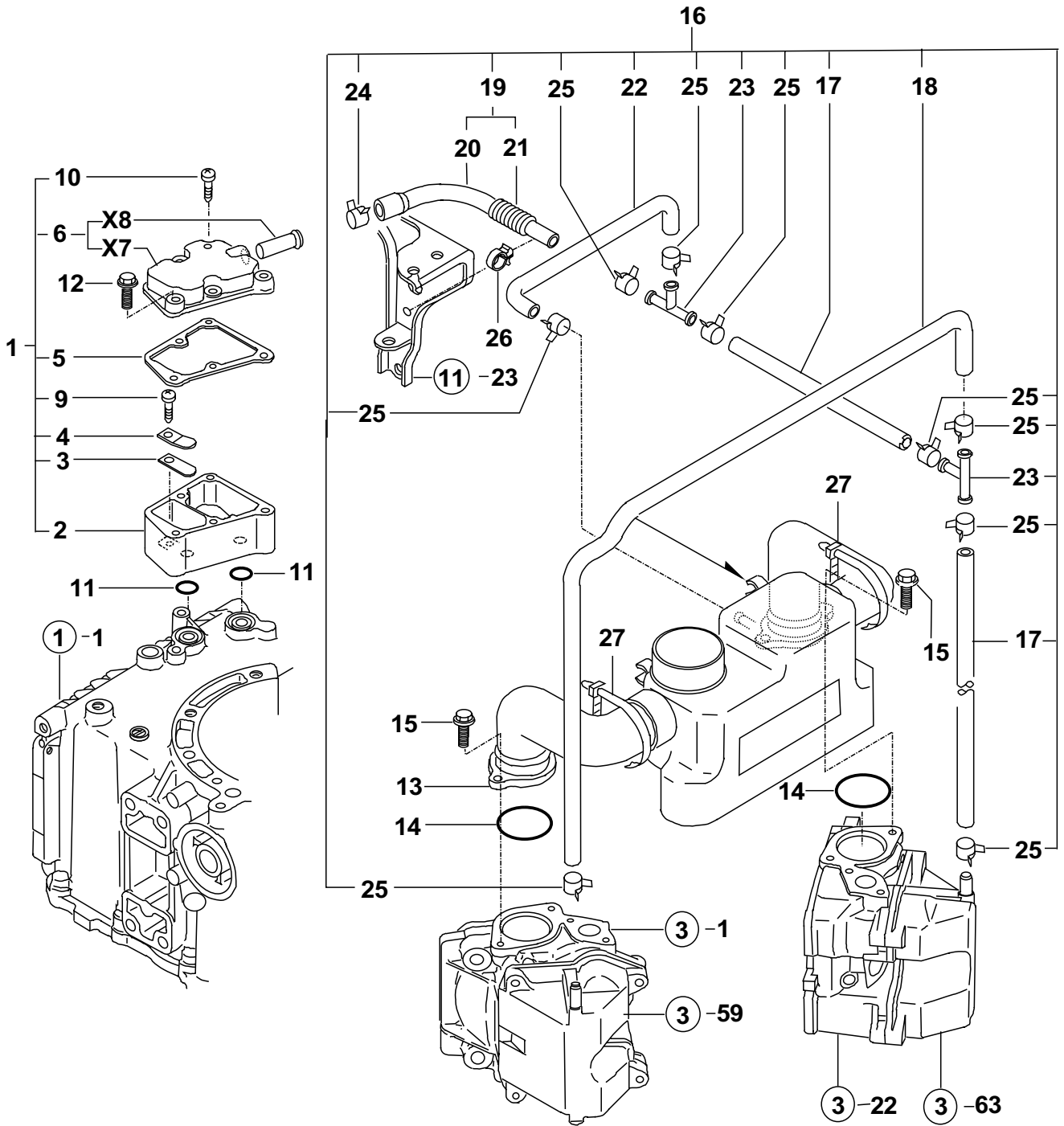
3. CYLINDER HEAD & BONNET
PARTS LIST

	PART DESCRIPTION	PART NUMBER
1.	Cylinder Head (1) Assembly	118200-11852
2.	Cylinder Head (1) Assembly	(X) 118200-11052
3.	Cylinder Head (1)	(X) 118200-11012
4.	Seat , Valve , Int.	(X) 118200-11080
5.	Seat, Valve, Exh.	(X) 118200-11090
6.	Guide, Valve	(X) 118200-11160
7.	Hot Plug	118200-11421
8.	Ball ¼, Steel	24190-080001
9.	Stud M8 x 22 Plated	26226-080222
10.	Screw M6 x 6	26979-060062
11.	Plug Pt1/4	124160-01910
12.	Valve, Intake	118200-11100
13.	Valve, Exhaust	118200-11110
14.	Spring, Valve	118200-11120
15.	Retainer,Valvespring	118200-11180
16.	Cotter Assembly	118200-11570
17.	Cotter, Valve	(X) 118200-11190
18.	Seal, Valve Stem	114350-11340
19.	Retainer, Spring	118200-11650
20.	Protector, Nozzle	119600-11450
21.	Gasket, Nozzle	119600-11460
22.	Cylinder Head (2) Assembly	118200-11862
23.	Cylinder Head (2) Assembly	(X) 118200-11062
24.	Cylinder Head (2)	(X) 118200-11022
25.	Seat, Valve , Int.	(X) 118200-11080
26.	Seat, Valve, Exh.	(X) 118200-11090
27.	Guide, Valve	(X) 118200-11160
28.	Hot Plug	(X) 118200-11421
29.	Ball ¼ , Steel	24190-080001
30.	Stud M8 x 22 Plated	26226-080222
31.	Screw M6 x 6	26979-060062
32.	Plug PT1/4	124164-01910
33.	Valve, Intake	118200-11100
34.	Valve, Exhaust	118200-11110
35.	Spring, Valve	118200-11120
36.	Retainer, ValveSpring	118200-11180
37.	Cotter Assembly	118200-11570
38.	Cotter, Valve	(X) 118200-11190

3. CYLINDER HEAD & BONNET
PARTS LIST

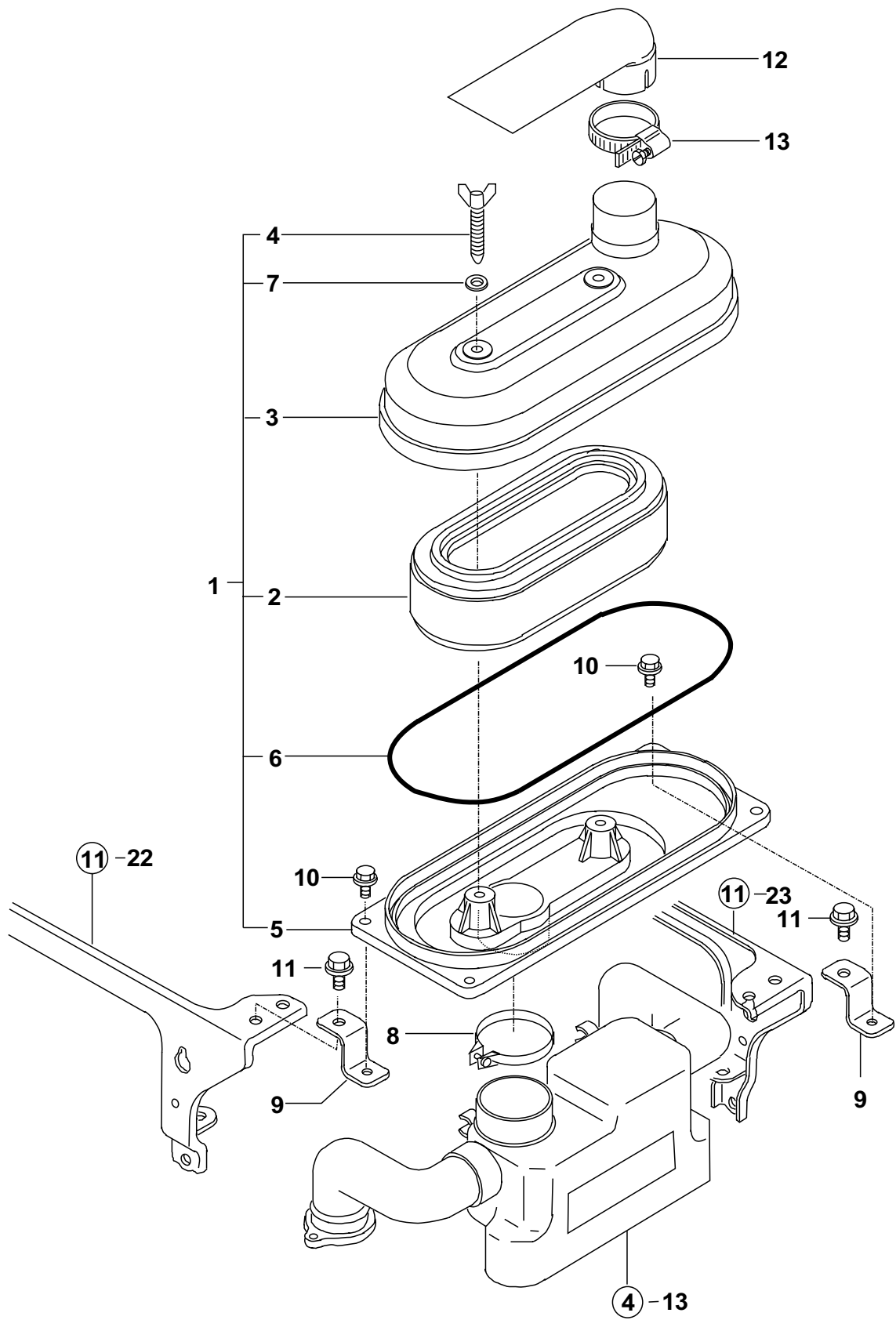
39.	Seal , Valve Stem	114350-11340
40.	Retainer, Spring	118200-11650
41.	Protector, Nozzle	119600-11450
42.	Gasket, Nozzle	119600-11460
43.	Bend, C.W.	118200-49110
44.	Gasket, Bend. Guide	118200-49120
45.	Bolt M6 x 20 Plated	26106-060202
46.	Shaft, Assembly, Rocker	118200-11240
47.	Shaft, Arm	(X) 118200-11250
48.	Spring Pin 4x20	22351-040020
49.	Ball 7/32	24190-070001
50.	Rocker Arm Assembly, A	118200-11751
51.	Arm, Valve Rocker,A	(X) 118200-11201
52.	Screw, Vallve	105010-11230
53.	Lock Nut 6	26756-060002
54.	Rocker Arm Assembly, B	118200-11761
55.	Arm, Valve Rocker , B	(X) 118200-11211
56.	Screw, Valve	105010-11230
57.	Lock Nut 6	26756-060002
58.	Circlip 12	22242-000120
59.	Bonnet Assembly, Head (1)	118400-11500
60.	Bonnet, Head (1)	(X) 118200-11300
61.	Gasket, Bonnet	118200-11320
62.	Bolt M6 x 25 Plated	26106-060252
63.	Bonnet Assembly, Head (2)	118400-11510
64.	Bonnet, Head (2)	(X) 118200-11310
65.	Gasket, Bonnet	118200-11320
66.	Bolt M6 x 25 Plated	26106-060252
67.	Plug, Glow	129795-77800
68.	Connector, Glow Plug	118200-77820

4. SUCTION MANIFOLD

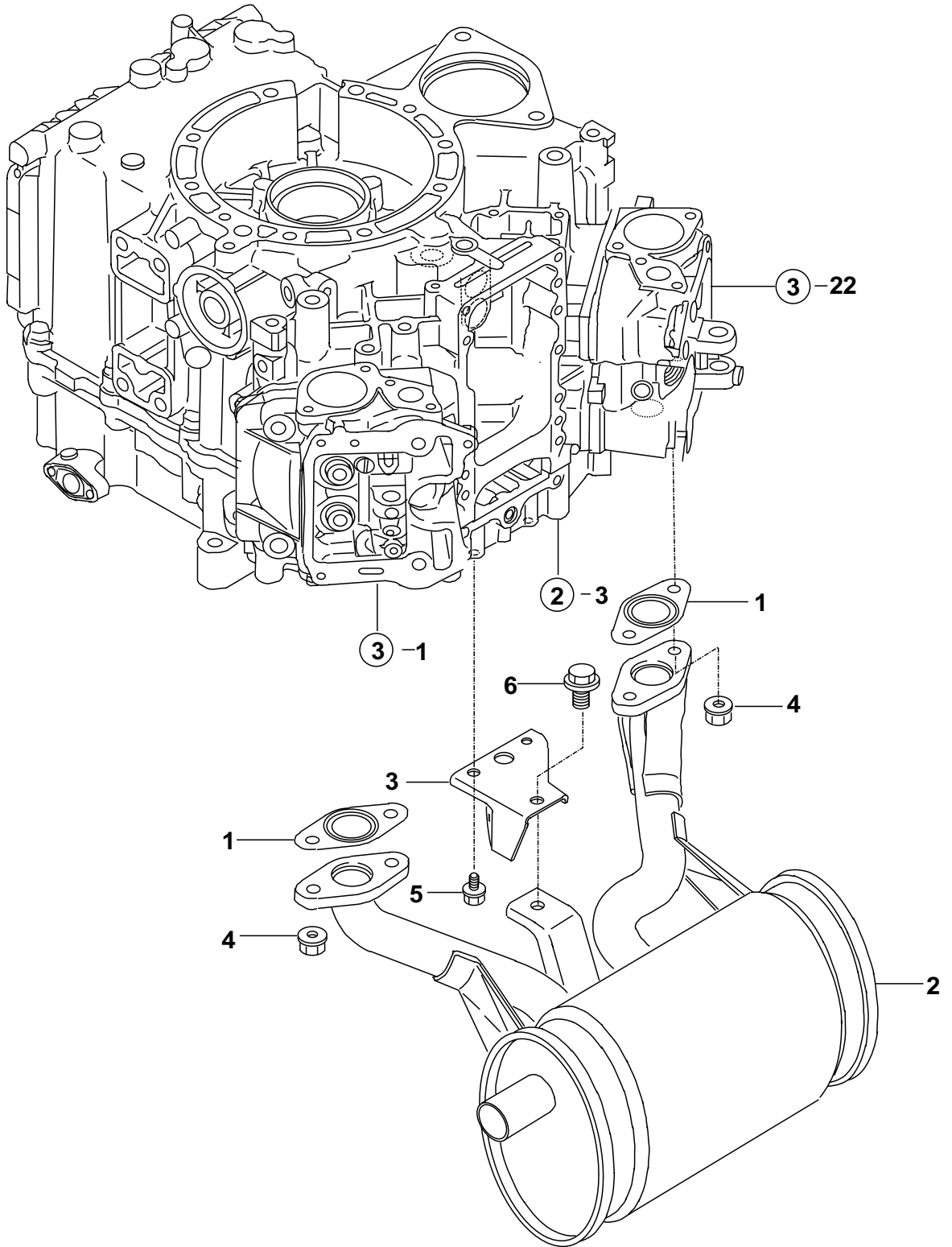


X - MARK PARTS: NOT SOLD SEPARATELY

5. AIR CLEANER



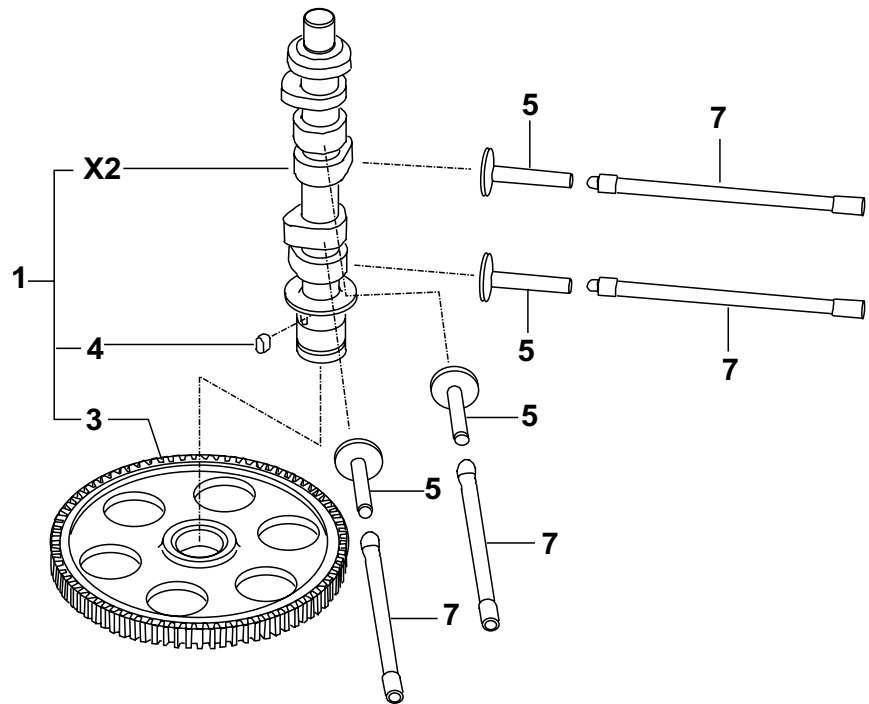
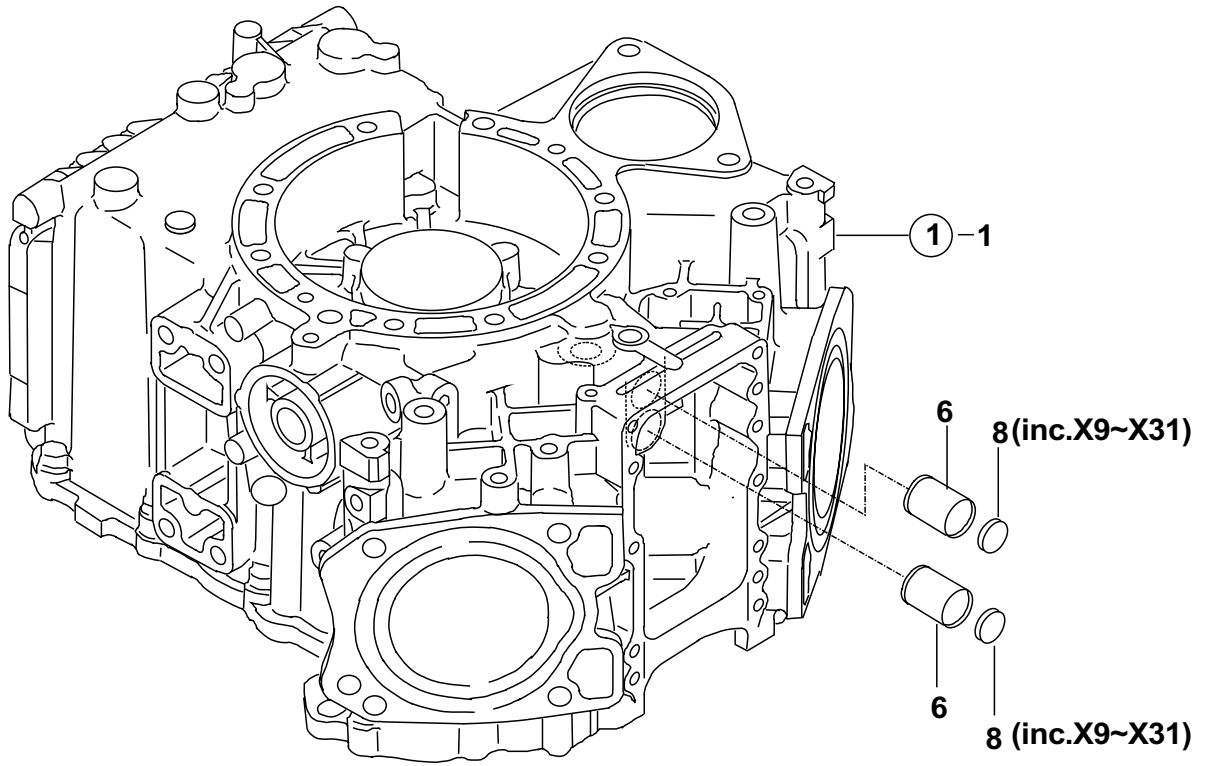
6. MUFFLER



6. MUFFLER
PARTS LIST

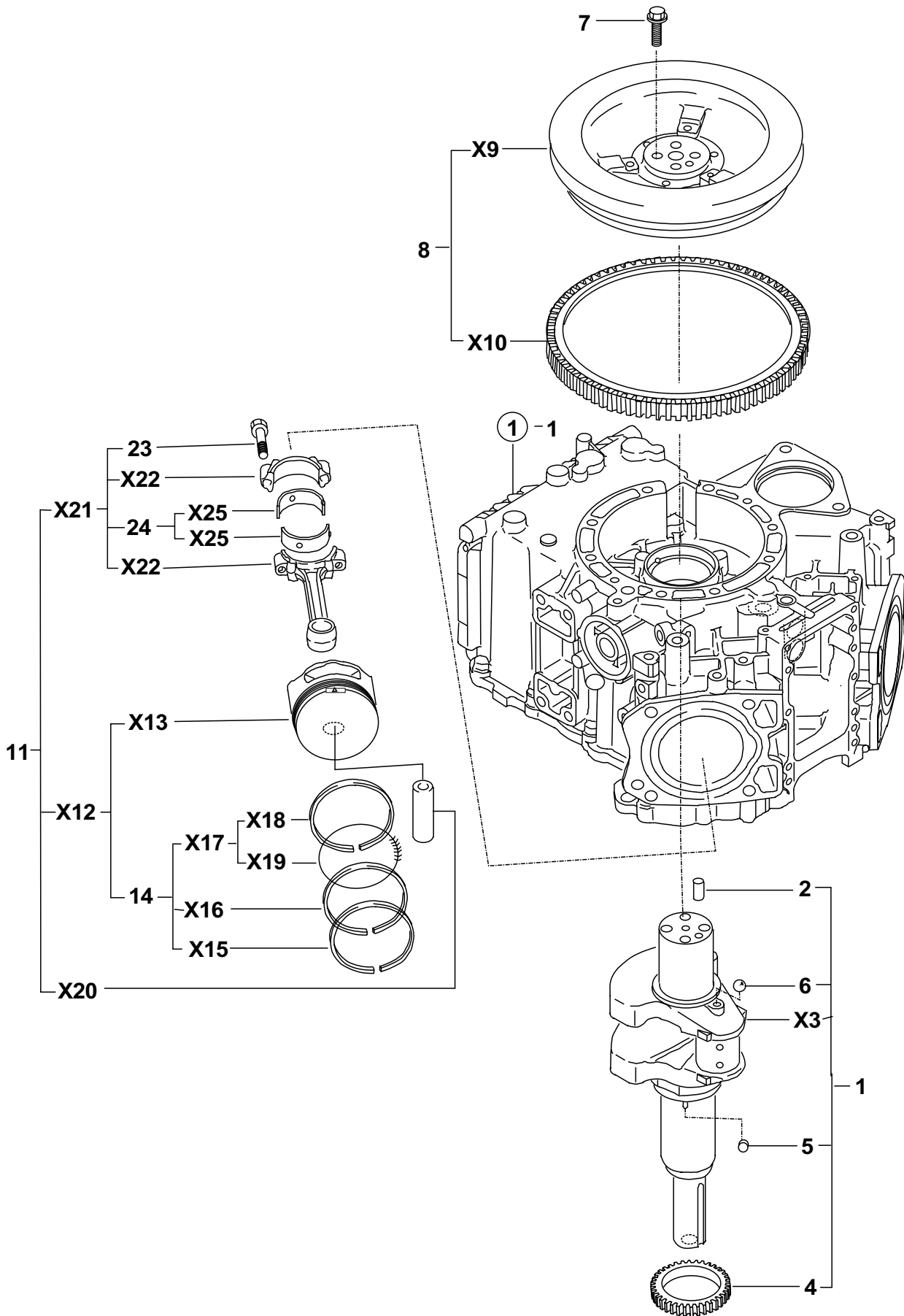
	PART DESCRIPTION	PART NUMBER
1.	Gasket, Silencer	118200-13200
2.	Silencer Assembly, Exh	118400-13500
3.	Support, Silencer	118400-13530
4.	Nut M8	26366-080002
5.	Bolt M6 x 12 Plated	26106-060122
6.	Bolt M8 x 16 Plated	26106-080162

7.CAMSHAFT



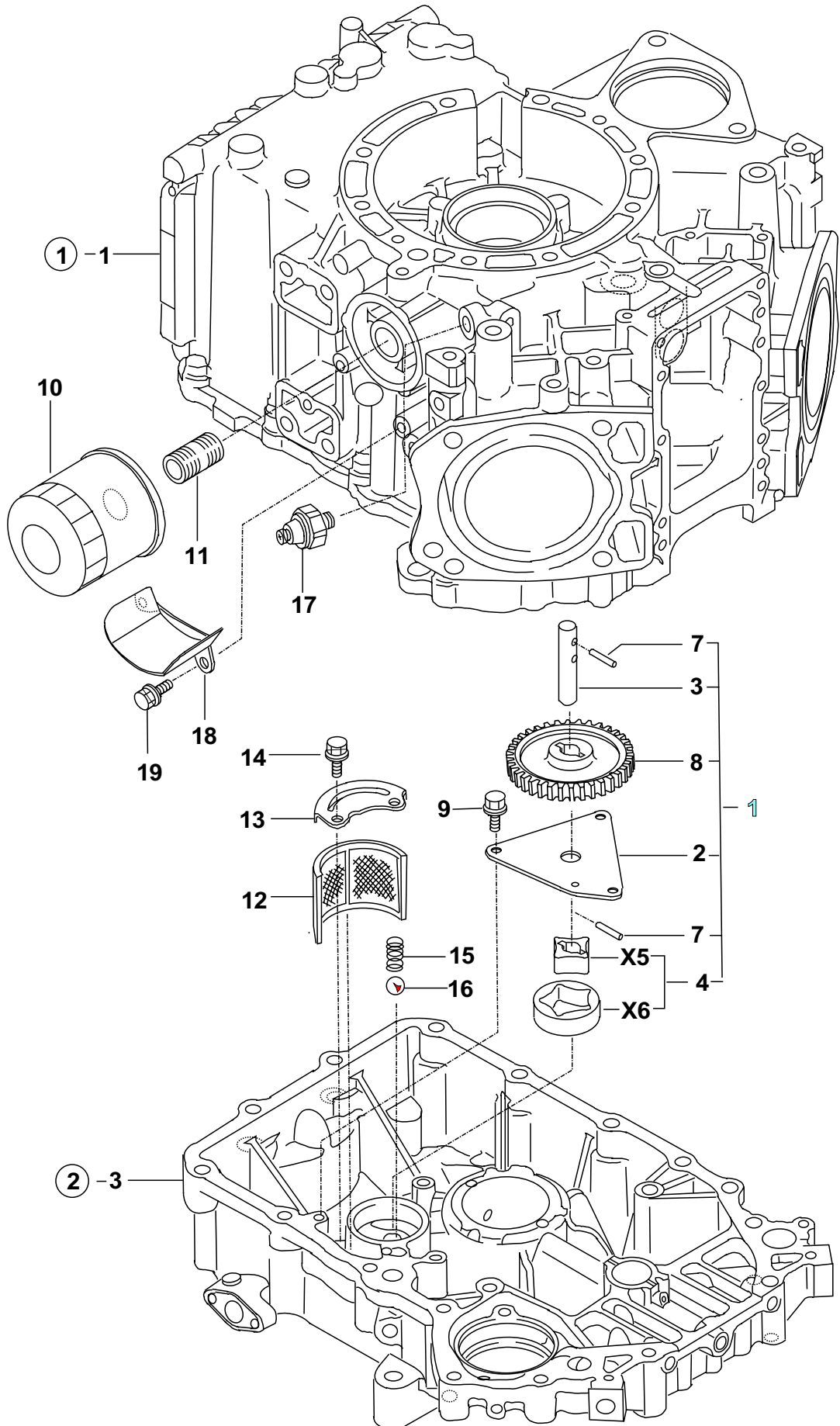
X - MARK PARTS: NOT SOLD SEPERATELY

8. CRANKSHAFT & PISTON



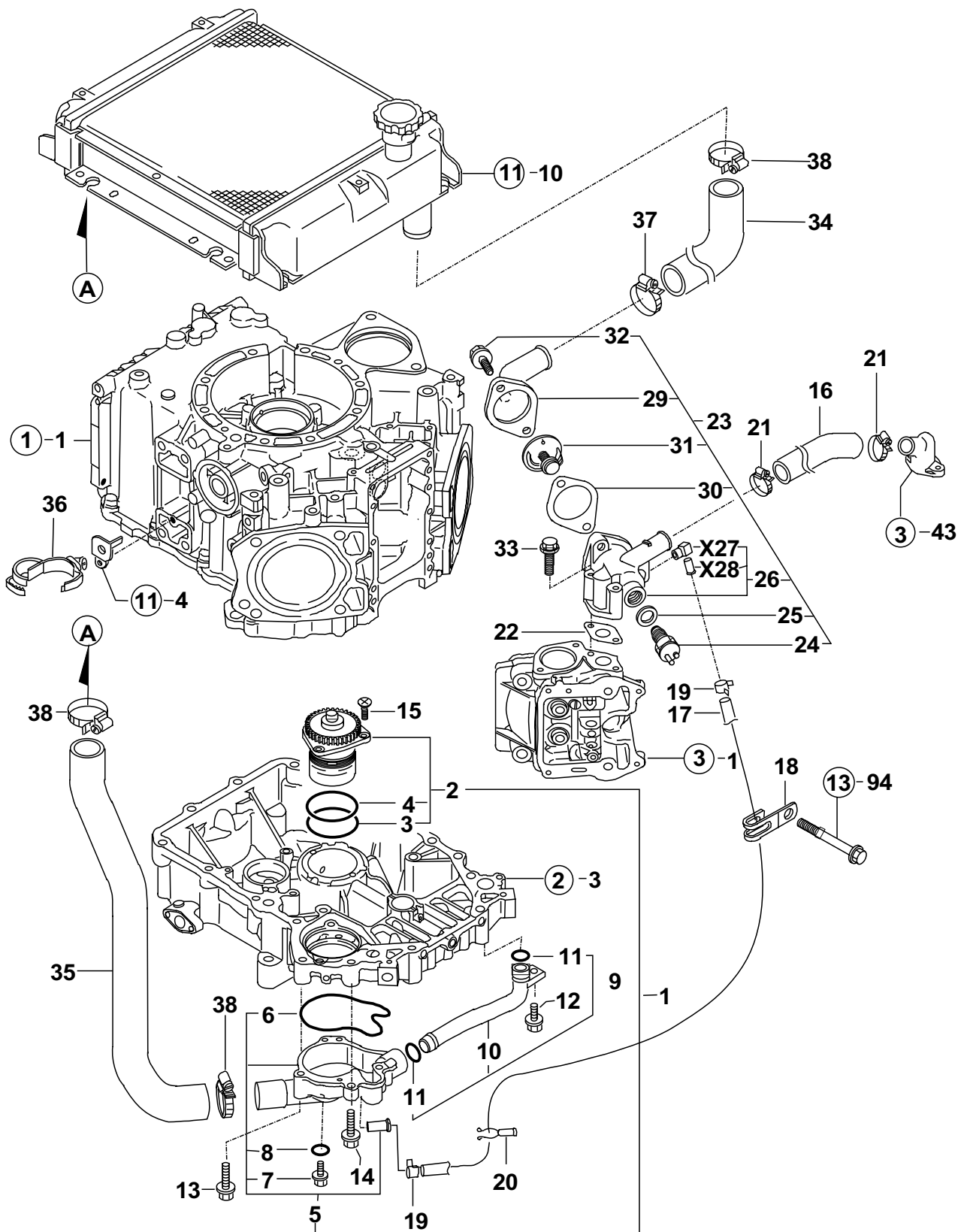
X - MARK PARTS: NOT SOLD SEPARATELY

9. LUB OIL SYSTEM



MARK PARTS: NOT SOLD SEPARATELY

10. COOLING WATER SYSTEM

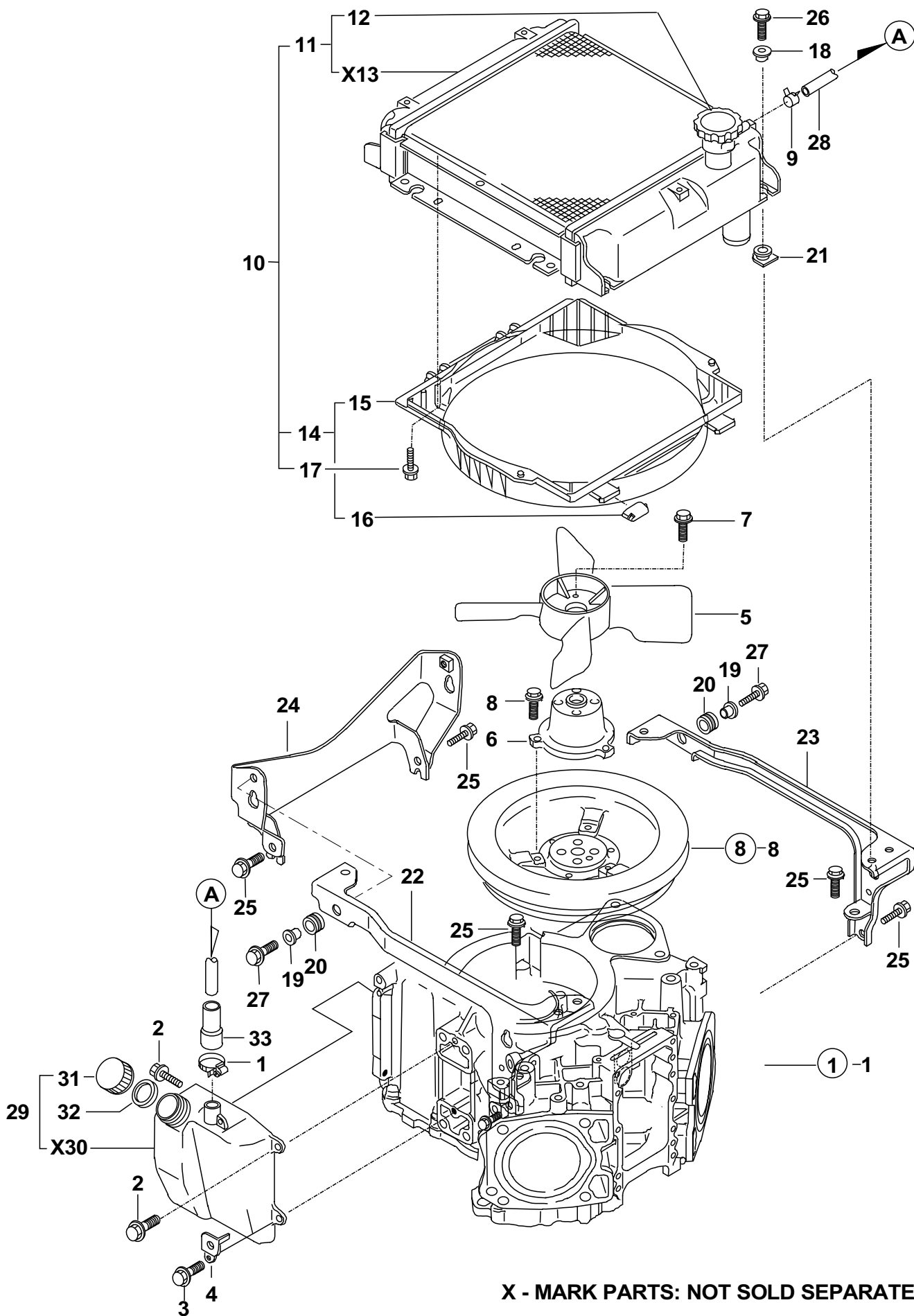


X - MARK PARTS: NOT SOLD SEPERATLY

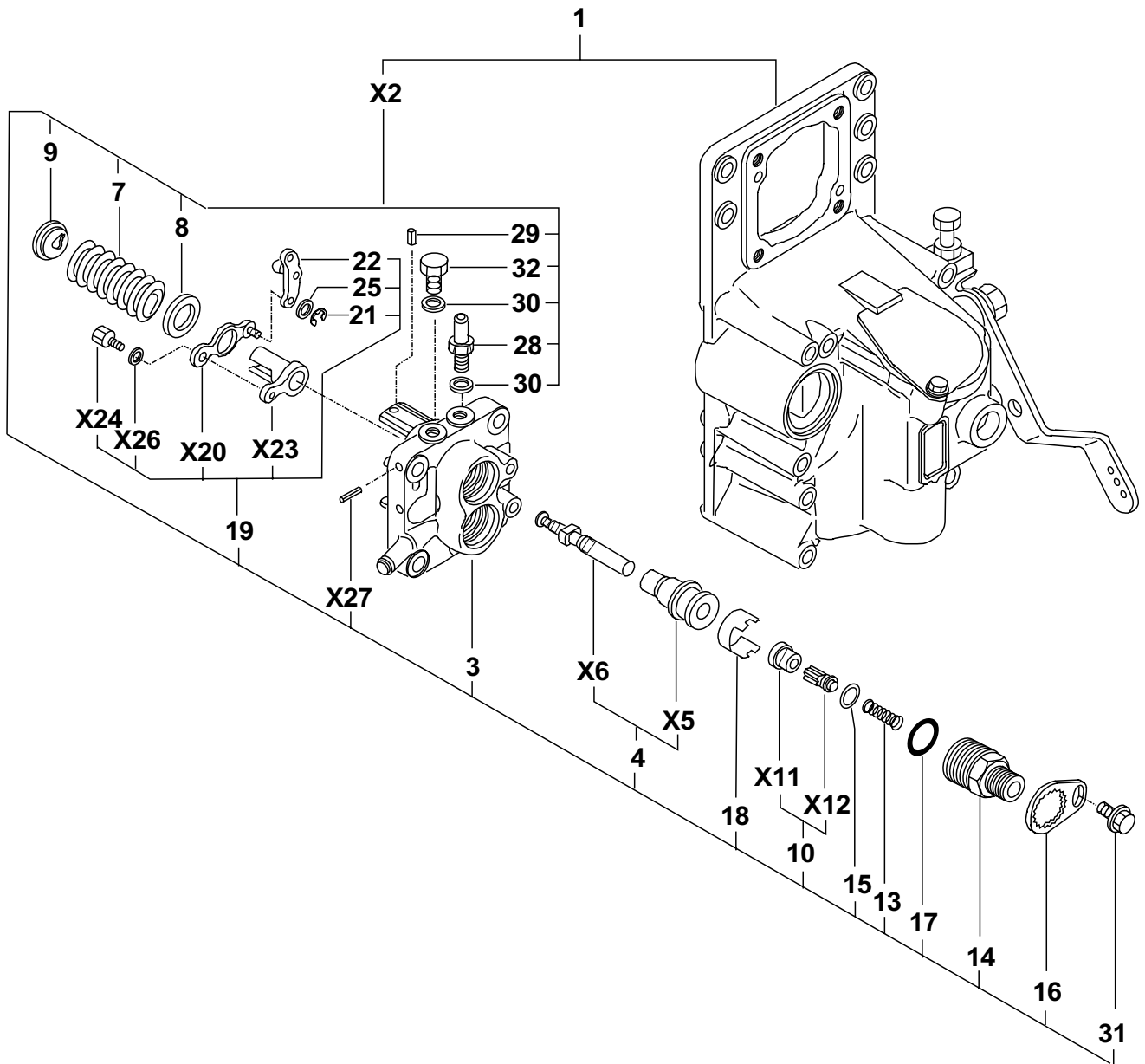
10. COOLING WATER SYSTEM
PARTS LIST

	PART DESCRIPTION	PART NUMBER
1.	Pump Assembly, C.W.	118400-42001
2.	Body	118400-42011
3.	O - Ring 1A S-50.0	24341-000500
4.	O - Ring 1A S-55.0	24341-000550
5.	Cover	118400-42020
6.	Gasket	118400-42100
7.	Bolt	118400-42110
8.	O - Ring 1A P-8.0	24311-000080
9.	Pipe	118400-42030
10.	Pipe	118400-42120
11.	O - Ring	118400-42130
12.	Bolt M6 x 12 Plated	26106-060122
13.	Bolt M6 x 40 Plated	26106-060402
14.	Bolt M8 x 55 Plated	26106-080552
15.	Screw M6 x 16	26577-060162
16.	CW-T,C	118200-49050
17.	CW-T, Bypass	118200-49060
18.	Clamp, Cord	160260-78700
19.	Clamp 12	124766-59050
20.	Retainer	118400-49050
21.	Clamp 27	23101-027000
22.	Gasket, Bend. Guide	118200-49120
23.	Case Assembly, Thermostat	118400-49501
24.	Switch, Thermo (110 degrees C)	121250-44901
25.	Gasket 16	124465-44950
26.	Case, Thermostat	118400-49511
27.	Joint	(X) 118400-49521
28.	Joint	(X) 118400-49540
29.	Cover, Thermstat	118400-49530
30.	Gasket, (Non-ASB)	129350-49541
31.	Thermostat (71degrees C)	129350-49800
32.	Bolt M8 x 25 Plated	26106-080252
33.	Bolt M6 x 40 Plated	26106-060402
34.	Pipe,C.W.	118400-49011
35.	Pipe,C.W.	118400-49021
36.	Clip, Cable	118400-49160
37.	Clamp 35	23010-035000
38.	Clamp 40	23010-040000

11. RADIATOR



12. FUEL INJECTION PUMP

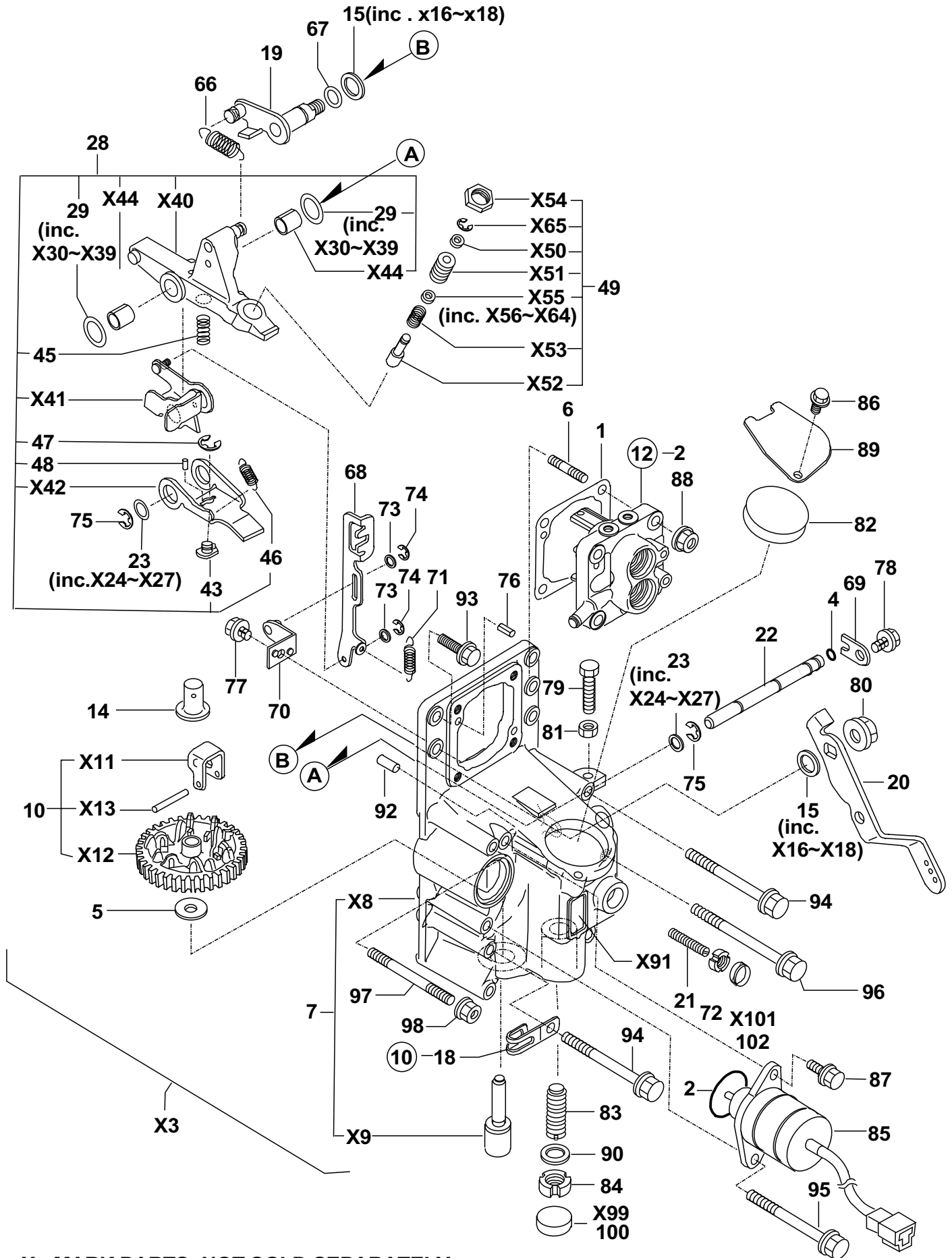


X. MARK PARTS NOT SOLD SEPARATELY

12. FUEL INJECTION PUMP
PARTS LIST

	PART DESCRIPTION	PART NUMBER
1.	Pump W/Gov. & F. Pump	718402-51300
2.	FOP Assembly	(X) 118400-51000
3.	Body	118400-51010
4.	Plunger W / Barrel	(X) 118400-51100
5.	Barrel	(X) 118400-51110
6.	Plunger	118400-51130
7.	Spring, Plunger	118400-51160
8.	Spring Seat A	118400-51170
9.	Spring Seat B	118400-51300
10.	Valve Seat	118400-51300
11.	Seat	(X) 105546-51320
12.	Valve, Delivery	(X) 119620-51320
13.	Spring, Deliv. Valve	105546-51330
14.	Holder	118400-51340
15.	Gasket, Delivery	124550-51350
16.	Locking	118400-51370
17.	O – Ring, Delivery	124550-51370
18.	Protector	118400-51400
19.	Control Lever Assembly	118400-51450
20.	Control Lever	(X) 118400-51500
21.	Retaining Ring E Type	118400-51510
22.	Link	118400-51550
23.	Sleeve	(X) 118400-51600
24.	Bolt M3	(X) 118400-51610
25.	Shim	105890-51650
26.	Washer 3	(X) 22117-030000
27.	Pin	(X) 119620-51670
28.	Joint	118400-51850
29.	Spring Pin 2.5 AX 6	22351-025006
30.	Gasket 6, round	23414-060000
31.	Bolt M5 x10 Plated	26106-050102
32.	Bolt 6* 8	26117-060082
	<u>Remarks:</u>	
	(1) Governor (Fig. No. 13, Ref No.1-91) is	
	Incorporated in this Fuel Injection Pump	
	(Ref. No. 1)	

13.GOVERNOR



X - MARK PARTS: NOT SOLD SEPARATELY

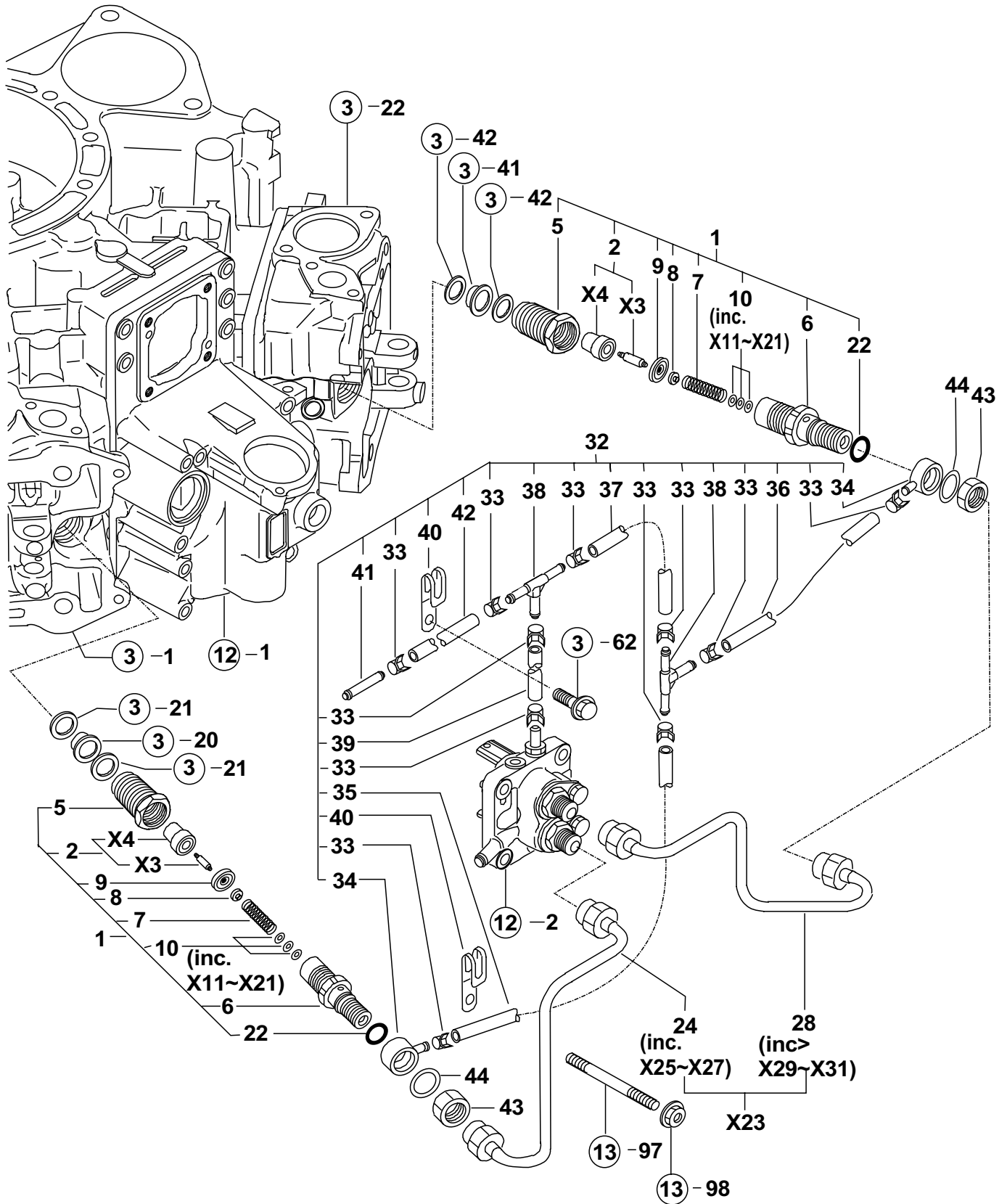
13. GOVERNOR
PARTS LIST

	PART DESCRIPTION	PART NUMBER
1.	Packing, Fop	118400-51030
2.	O - Ring	152673-51430
3.	Governor Assembly	(X) 118400-61000
4.	O - Ring	158563-51281
5.	Washer	118400-61040
6.	SB 6*20	118400-61050
7.	Case Assembly, Governor	118400-61100
8.	Case, Governor	(X) 118400-61010
9.	Shaft	(X) 118400-61030
10.	Weight Assembly, Gov.	118400-61200
11.	Weight, Gov.	(X) 118400-61210
12.	Gear, Gov.	(X) 118400-61220
13.	Pin, Weight	118400-61230
14.	Sleeve (Gov)	118400-61300
15.	Spacer Assembly, Con. Lev.	118400-61350
16.	Spacer T=1.0	(X) 118400-61360
17.	Spacer T=1.2	(X) 118400-61370
18.	Spacer T=1.4	(X) 118400-61380
19.	Shaft , Control	118400-61400
20.	Lever, Control	118400-61411
21.	Bolt, Revol. Limit	119988-61450
22.	Shaft, Gov. Level	118400-61480
23.	Spacer Assembly	129155-61480
24.	Shim	(X) 129156-61460
25.	Shim	(X) 129156-61470
26.	Shim	(X) 129156-61480
27.	Shim	(X) 129156-61490
28.	Lever Assembly, Governor	118400-61500
29.	Shim Set	174307-51700
30.	Shim	(X) 174307-51710
31.	Shim	(X) 174307-51720
32.	Shim	(X) 174307-51730
33.	Shim	(X) 174307-51740
34.	Shim	(X) 174307-51750
35.	Shim	(X) 174307-51760
36.	Shim	(X) 174307-51770
37.	Shim	(X) 174307-51780
38.	Shim	(X) 174307-51790
39.	Shim	(X) 174307-51800
40.	Lever, Tension	(X) 118400-61510

13.GOVERNOR
PARTS LIST

41.	Lever A, Gov	(X) 118400-61520
42.	Lever B, Gov	(X) 118400-61530
43.	Shifter	119600-61540
44.	Bush	(X) 119843-61550
45.	Spring, Start	118400-61600
46.	Spring, Set	118400-61610
47.	Circlip E - 4	22272-000040
48.	Spring Pin 2 x 4	22351-020004
49.	Angleich Assembly	118400-61650
50.	Washer, Angleich	(X) 118400-61640
51.	Case, Angleich	(X) 118400-61660
52.	Shifter, Angleich	(X) 118400-61670
53.	Spring, Angleich	(X) 118400-61680
54.	Lock Nut, Angleich	(X) 118400-61690
55.	Spacer Assembly, Angleich	(X) 118400-61700
56.	Spacer T=0.80	(X) 118400-61710
57.	Spacer T=0.85	(X) 118400-61720
58.	Spacer T=0.90	(X) 118400-61730
59.	Spacer T=0.95	(X) 118400-61740
60.	Spacer T=1.00	(X) 118400-61750
61.	Spacer T=1.05	(X) 118400-61760
62.	Spacer T=1.10	(X) 118400-61770
63.	Spacer T=1.15	(X) 118400-61780
64.	Spacer T=1.20	(X) 118400-61790
65.	Circlip E - 4	(X) 22272-000040
66.	Spring, Governor	118400-61800
67.	O – Ring 1A S – 10.0	24341-000100
68.	Control Rack	118400-61900
69.	Retainer, Shaft	119660-61901
70.	Support, Rack	118400-61910
71.	Spring, Rack	118400-61920
72.	Carb Nut (Hi-Idle)	119685-61950
73.	Washer 4	22117-040000
74.	Circlip E - 3	22272-000030
75.	Circlip E - 7	22272-000070
76.	Spring Pin 4 x 8	22351-040008
77.	Bolt M6 x 8 Plated	26106-060082
78.	Bolt M6 x 10 Plated	26106-060102
79.	Bolt M6 x 30 Plated	26116-060304
80.	Nut M8	26366-080002

14. FUEL INJECTION VALVE



X - MARK PARTS: NOT SOLD SEPARATELY

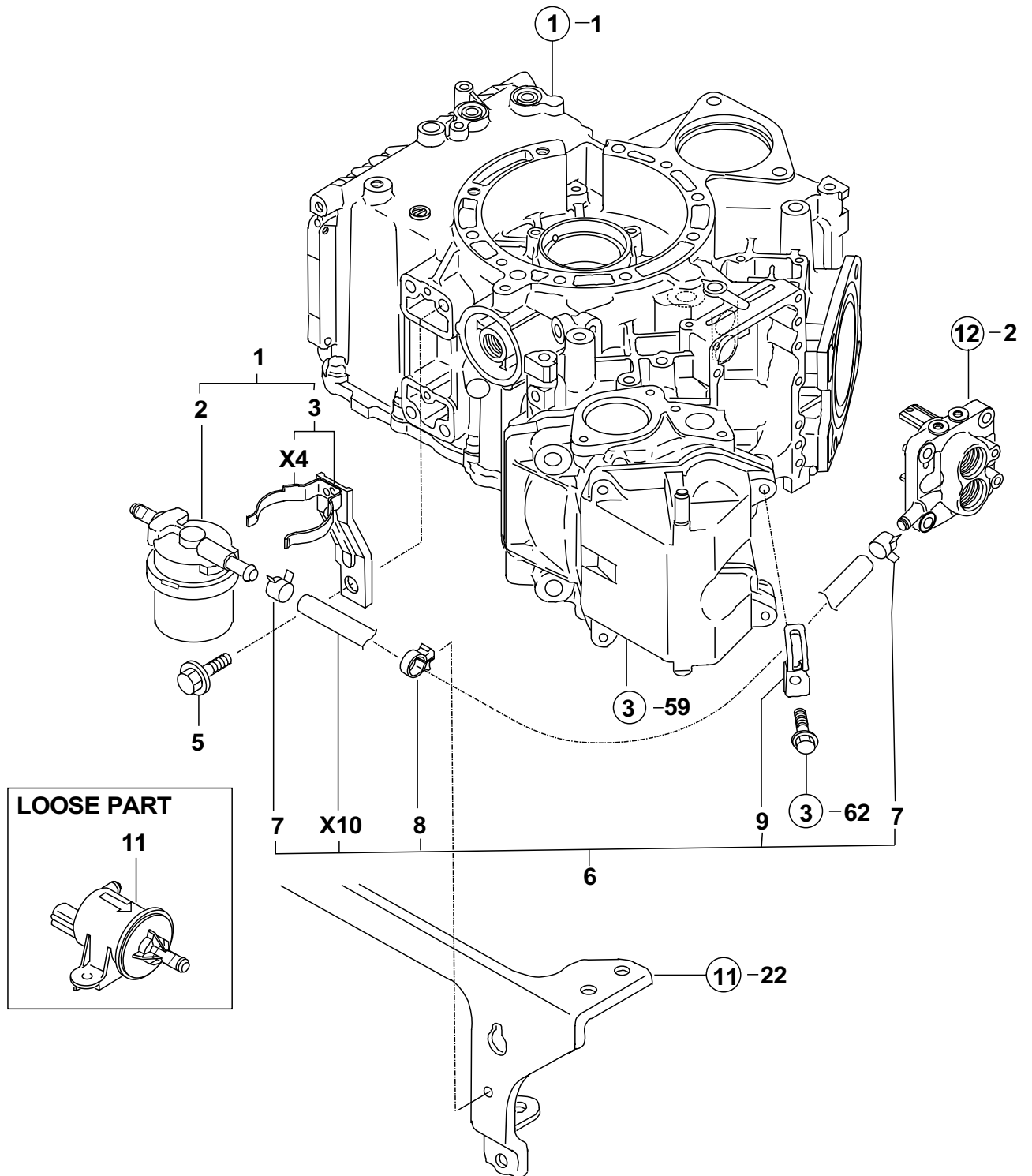
14. FUEL INJECTION VALVE
PARTS LIST

	PART DESCRIPTION	PART NUMBER
1.	Valve Assembly, F. Inject	718200-53100
2.	Nozzle Assembly, F. Inject	119620-53000
3.	Valve	(X) 119620-53010
4.	Body	(X) 119620-53040
5.	Nut, Nozzle	118200-53080
6.	Holder	118200-53100
7.	Spring, Valve	119620-53120
8.	Seat, Nozzle Spring	114250-53130
9.	Spacer, Valve Stop	119620-53140
10.	Shim Pack	114250-53400
11.	Shim	(X) 114250-53410
12.	Shim	(X) 114250-53420
13.	Shim	(X) 114250-53430
14.	Shim	(X) 114250-53440
15.	Shim	(X) 114250-53450
16.	Shim	(X) 114250-53490
17.	Shim	(X) 114250-53500
18.	Shim	(X) 114250-53510
19.	Shim	(X) 114250-53520
20.	Shim	(X) 114250-53530
21.	Shim	(X) 114250-53540
22.	O – Ring S10	129155-61830
23.	FI Line Assembly	(X) 118200-59800
24.	Pipe (1), F. Inject	118200-59810
25.	Retainer	(X) 124250-55950
26.	Nut	(X) 124250-55960
27.	Pipe, F. Injection 1	(X) 118200-59600
28.	Pipe (2), F. Inject	118200-59820
29.	Retainer	(X) 124250-55950
30.	Nut	(X) 124250-55960
31.	Pipe, F. Injection 2	(X) 118200-59610
32.	Pipe Assembly, Fuel Over	118400-59150
33.	Clamp 8	124066-59100
34.	Joint, Nozzle	118200-59520
35.	Pipe, Fuel Return	118400-59550
36.	Pipe, Fuel Return	119000-59550
37.	Pipe, Fuel Return	121450-59550
38.	Joint	118200-59561
39.	Pipe, Fuel Return	118400-59560
40.	Clamp, Cord	160260-78700

14.FUEL INJECTION VALVE
PARTS LIST

41.	Joint, 2-way	118200-59580
42.	Pipe, Fuel Return	124066-59580
43.	Nut	119620-59700
44.	Seal Washer 14S	22190-140002

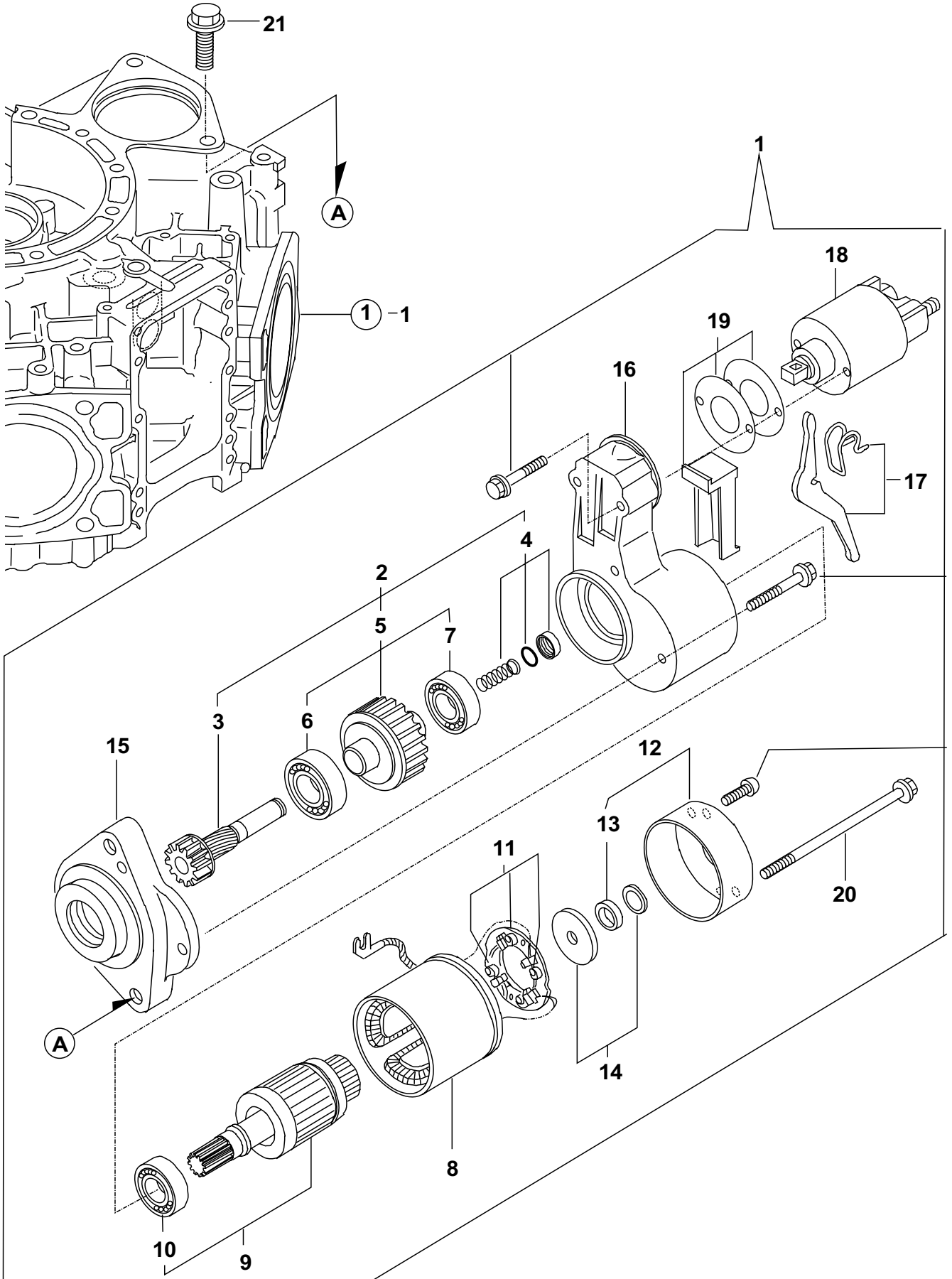
15. FUEL LINE



15. FUEL LINE
PARTS LIST

	PART DESCRIPTION	PART NUMBER
1.	Filter Assembly, Fuel Oil	118400-55500
2.	Fuel Filter	118200-55510
3.	Support, Fuel Filter	118400-55520
4.	Ring, Support	(X) 118400-55530
5.	Bolt M10 x 20 Plated	26106-100202
6.	Pipe, Fuel	118400-59030
7.	Clamp 12	124766-59050
8.	Holder 12	118400-59060
9.	Clamp	118200-59070
10.	Pipe, Fuel (D12XL400)	(X) 121236-59080
11.	Pump Assembly, Fuel	118200-52100

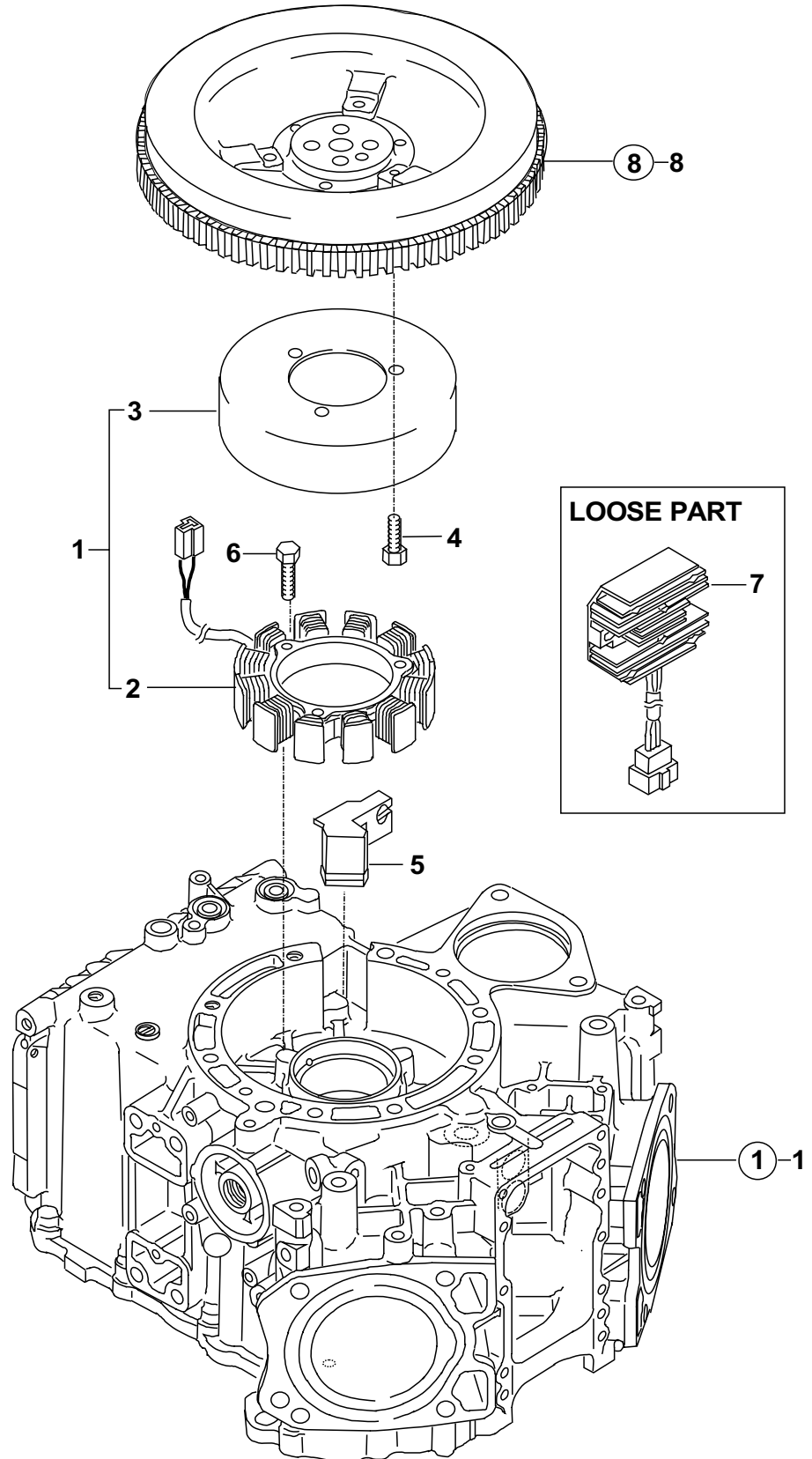
16. STARTING MOTOR



16. STARTING MOTOR
PARTS LIST

	PART DESCRIPTION	PART NUMBER
1.	Starter Assembly	118400-77020
2.	Pinion Clutch Assembly	(X) 2130650060
3.	Pinion Shaft	(X) 2114555100
4.	Stopper Set, Pinion	(X) 2114890060
5.	Clutch Assembly	(X) 2130750060
6.	Ball Bearing	(X) 2114555020
7.	Bearing 3,Pinion	(X) 2114950020
8.	Yoke Assembly	129608-77110
9.	Armature Assembly	118400-77250
10.	Bearing, Armature	118400-77260
11.	Brush Holder Assembly	118400-77270
12.	Rear Cover Assembly	118400-77280
13.	Rear Cover Metal	129698-77170
14.	Thrust Washer Kit	118400-77290
15.	Gear Case	118400-77300
16.	Centre Housing	118400-77310
17.	Shift Lever Set	118400-77320
18.	Magnetic Switch Assembly	118400-77330
19.	Dust Cover Kit	118400-77340
20.	Through Bolt	124195-77770
21.	Bolt M10 x 30 Plated	26106-100302

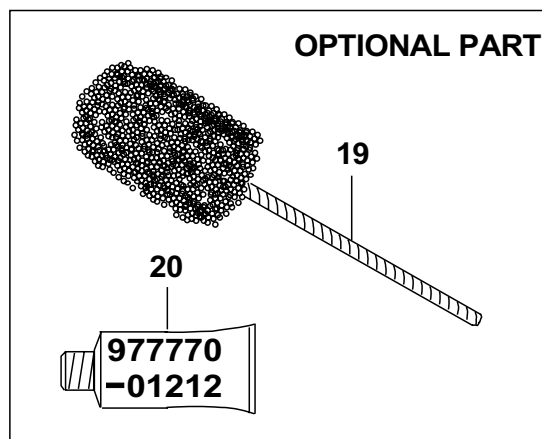
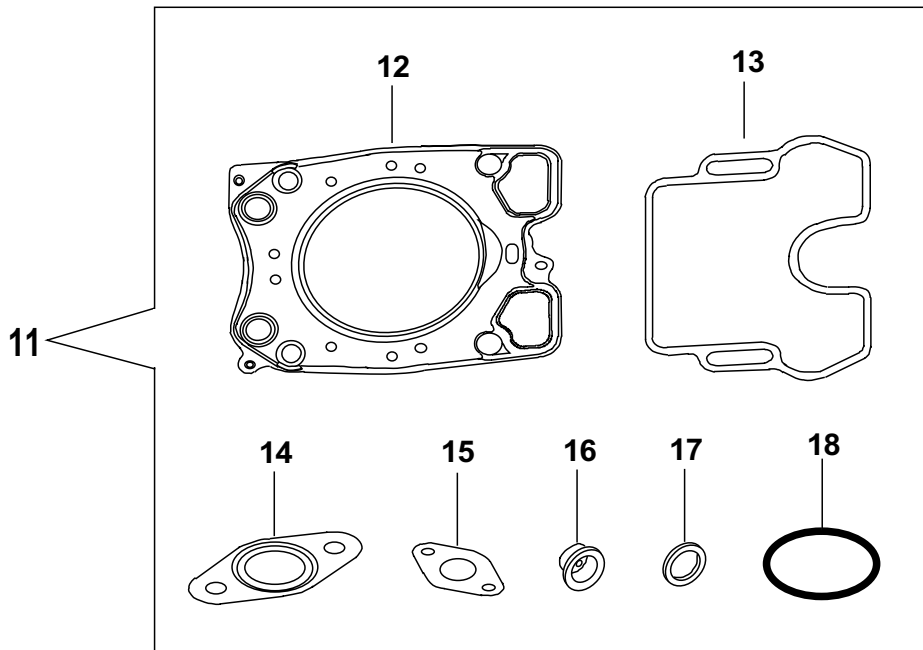
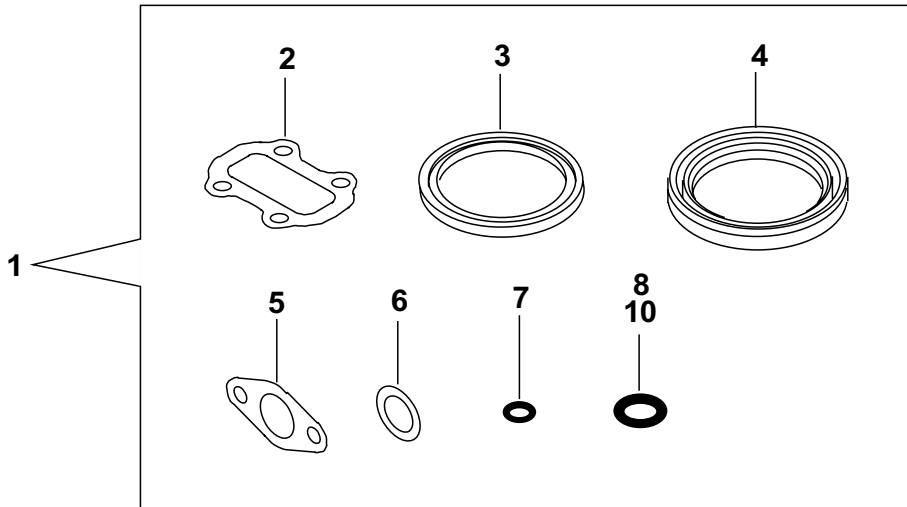
17. DYNAMO



17. DYNAMO
PARTS LIST

	PART DESCRIPTION	PART NUMBER
1.	Generator Assembly	118200-78201
2.	Stator Assembly	118200-78751
3.	Wheel, Dynamo	118200-78760
4.	Bolt 6 x 12	118200-78300
5.	Clamp	118400-78700
6.	Bolt 6 x 25	26116-060252
7.	Current Limiter (20A)	119225-77720

18. GASKET SET & TOOLS



18. GASKET SET & TOOLS
PARTS LIST

	DESCRIPTION	PART NUMBER
1.	Gasket Set, Cyl. Block	118400-99011
2.	Gasket, Cover	118400-01490
3.	Seal, Oil	118200-02220
4.	Seal, Oil	118200-02230
5.	Gasket, Bend. Guide	118200-49120
6.	Seal Washer 16S	22190-160002
7.	O – Ring P6.0	118200-01400
8.	O – Ring P16.0	118200-01410
9.	O – Ring S24.0	118200-01430
10.	O – Ring P16.0	118200-01420
11.	Gasket Set, Cyl. Head	118200-99021
12.	Gasket ,Head	118200-01350
13.	Gasket, Bonnet	118200-11320
14.	Gasket, Silencer	118200-13200
15.	Gasket, Bend. Guide	118200-49120
16.	Protector, Nozzle	119600-11450
17.	Gasket, Nozzle	119600-11460
18.	Gasket, Intake Pipe	118200-12211
19.	Flex Horn	129400-92420
20.	Gasket, Liquid	977770-01212
	<u>Remark:</u>	
	Item 1. Optional Part	