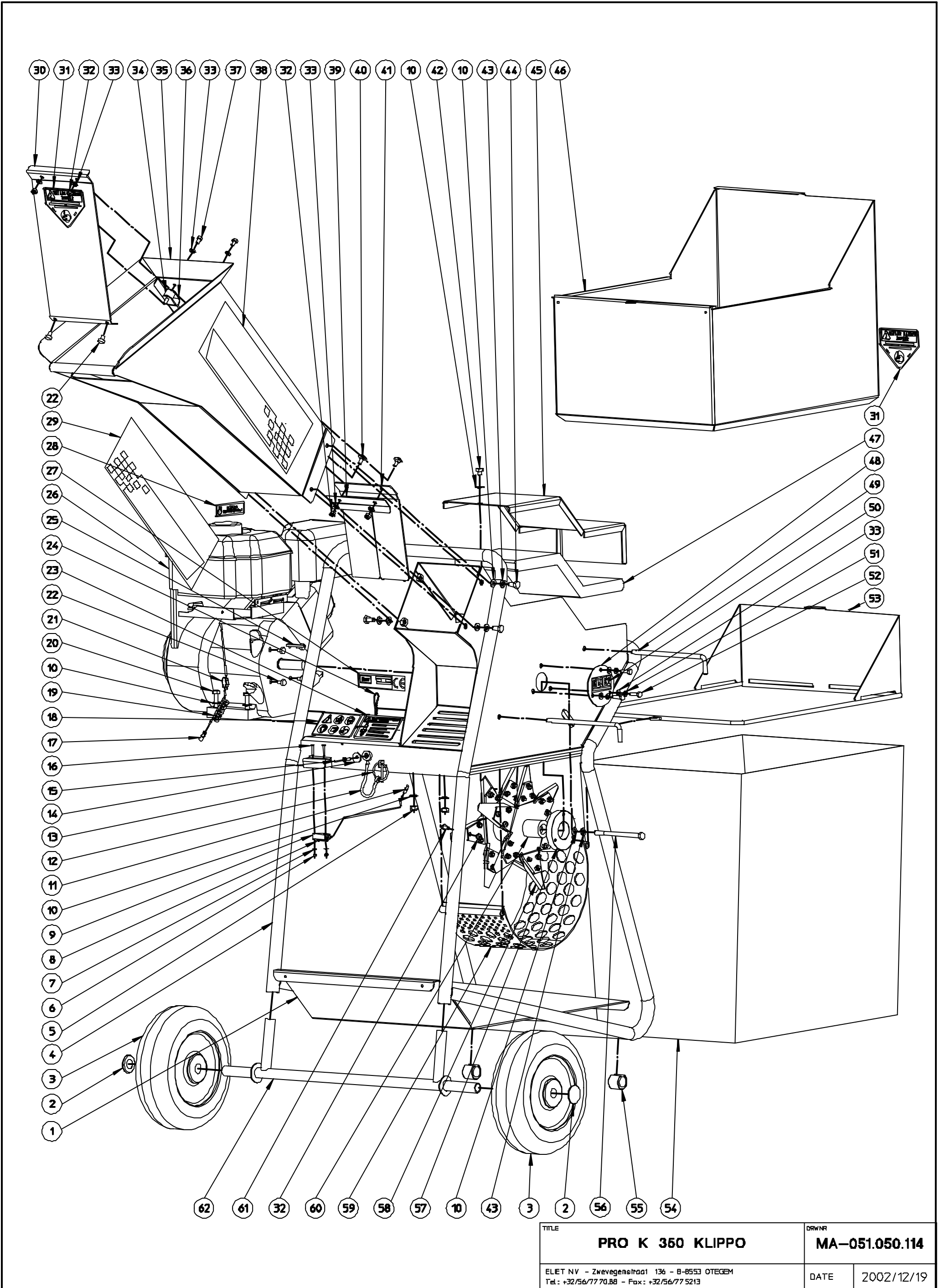


KLIPPO PARTS MANUAL GARDEN PRO LINE

KLIPPO PRO K 390

GENERAL LIST

ITEM	PART NUMBER	DESCRIPTION	QUANTITY
1	MA 051 050 114	EXPLODED VIEW ASSEMBLY - LIST 1	1



TITLE		DRAWNR	
PRO K 360 KLIPPO		MA-051.050.114	
ELET NV - Zwevegenstraat 136 - B-8553 OTEGEM Tel: +32/56/77 70.88 - Fax: +32/56/77 5213		DATE	2002/12/19

KLIPPO PRO K 390**ASSEMBLY LIST 1**

ITEM	PART NUMBER	DESCRIPTION	QUANTITY
1	61 MPA 01 220 110	TRANSPORT PLATE	1
2	61 BB 011 000 200	STARLOCK DIAM 20MM	2
3	61 BW 024 520 000	WHEEL 3.00-4	2
4	61 MPA 01 220 410	FRAME	1
5	61 BS 502 000 800	SELF LOCKING NUT M8 DIN 985	4
6	61 BS 502 000 300	SELF LOCKING NUT M3 DIN 985	2
7	61 BS 531 000 300	WASHER M3 DIN 125	3
8	61 BE 031 012 900	EYED TERMINAL M3	1
9	61 BE 120 010 500	SAFETY SWITCH D2VW-5L3-1M	1
10	61 BS 531 000 800	WASHER M8 DIN 125	14
11	61 BE 031 010 800	PRE-INSULATED TERMINAL (MALE) 1,5 ³ M DIAM4	1
12	61 BQ 201 200 040	SAFETY STRING PVC TRANSPARENT	1
13	61 BB 040 304 030	LOCKING PIN WITH BRACKET DIAM4,5MM	1
14	61 BS 532 005 203	MUDWING REPAIR WASHER 20x5,5x1,5	1
15	61 BB 221 105 160	BLIND RIVET ALUMINIUM 4,8x16	1
16	61 BS 512 000 320	BOLT DIN 933 M3x20	2
17	61 BE 031 017 100	PRE-INSULATED TERMINAL (FEMALE) 1,5 ³ V DIAM 4	1
18	61 BQ 505 010 050	STICKER WARNING GENERAL 100X60	1
19	61 BE 090 230 301	WIRE CE 30 1,5 RED	1
20	61 BS 512 000 840	BOLT DIN 933 M8X40	4
21	61 BE 031 034 201	BLUE WIRE CONNECTOR 2.5 MM	1
22	61 BR 602 006 151	RUBBER BUMPER K2581 TYPE 6	6
23	61 BQ 502 010 040	STICKER WARNING PLUG 100X60	1
24	61 BB 040 102 040	HAIRPIN COTTER	2
25	61 BB 342 050 544	KEY 4,7X4,7X44	1
26	61 BM 201 205 500	ENGINE B&S INTEK 5,5PK	1
27	61 BQ 505 010 010	IDENTIY STICKER CE	1
28	61 BQ 505 010 030	STICKER MAX 3200 RPM 90X45MM	1
29	61 BQ 502 020 210	STICKER KLIPPO PRO K 350 393X130MM	1
30	61 MPA 01 220 080	PROTECTION PLATE	1
31	61 BQ 502 010 060	TRIANGULAR STICKER DANGER 100X80MM	2
32	61 BS 502 000 600	SELF LOCKING NUT M6 DIN 985	40
33	61 BS 531 000 600	WASHER M6 DIN 125	9
34	61 BR 600 220 150	ANTIVIBRATION BLOCKS D:20 L:15 M6	2
35	61 MPA 01 220 420	HOPPER	1
36	61 BR 910 000 010	RETAINER ERTALON 34/30/25x15+15	2
37	61 BS 512 000 610	BOLT M6X10 DIN 933	2
38	61 BQ 502 020 210	STICKER KLIPPO PRO K 350 393X130MM	1

KLIPPO PRO K 390**ASSEMBLY LIST 1**

ITEM	PART NUMBER	DESCRIPTION	QUANTITY
39	61 MPA 01 220 070	RETAINER FOR ANTI PROJECTION RUBBER FLAP	1
40	61 BS 554 100 616	BOLT M6X16 DIN 603	2
41	61 BR 900 001 270	RUBBER ANTI PROJECTION FLAP INNER SIDE	1
42	61 BS 512 000 808	BOLT M8X8 DIN 933	1
43	61 BS 533 000 800	WASHER M8 DIN 127	5
44	61 BS 512 000 816	BOLT M8X16 DIN 933	4
45	61 MPA 01 220 090	COVER	1
46	61 MPA 01 220 060	OUTPUT DEFLECTOR	1
47	61 BQ 148 002 001	SOUND ISOLATING COVER	1
48	61 MPA 01 220 100	SMALL COVER PLATE	1
49	61 MPA 01 220 130	LOCKING ROD	2
50			0
51	61 BS 533 000 600	WASHER M6 DIN 127	3
52	61 BS 512 000 620	BOLT M6X20 DIN 933	3
53	61 MPA 01 220 040	FRAME COLLECTING BAG	1
54	61 BQ 348 020 021	COLLECTING BAG	1
55	61 BR 831 990 640	PLASTIC FOOT	2
56	61 BS 011 040 851	BOLT UNF 5/16X5/8	1
57	61 BR 910 000 100	NYLON BEARING	1
58	61 BU 101 100 200	KNIFE 3 HOLES	12
59	61 MPA 01 220 430	STD GRATING	1
60	61 MPA 01 220 050	ROTOR	1
61	61 BS 012 000 618	BOLT M6X18 DIN 933	36
62	61 MPA 01 220 120	SUPPORT WHEELS	1