

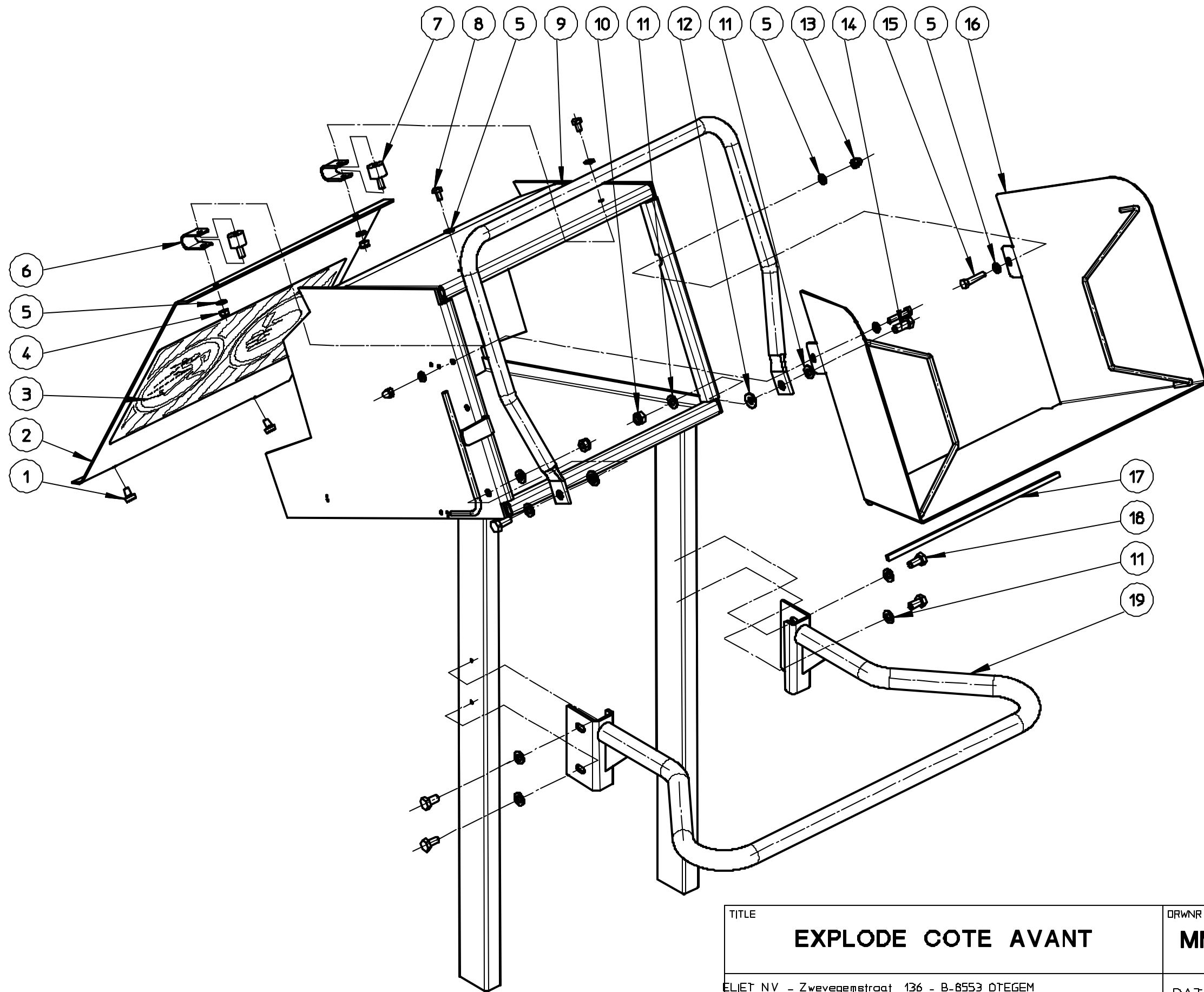
TITLE		DRWR	
PRO K 550 MOTEUR GX270		MA-053.010.208	
ELIET N.V. - Zwevegemstraat 136 - B-8553 OTEGEM Tel.: +32/56/77.70.88 - Fax.: +32/56/77.5213		DATE	2002/12/20

KLIPPO PARTS MANUAL**GARDEN PRO LINE****KLIPPO PRO K 550****GENERAL ASSEMBLY**

ITEM	PART NUMBER	DESCRIPTION	QUANTITY
1	MMA 01 040 110	EXPLODED VIEW ASSEMBLY - LIST 1	1
2	MMA 01 040 121	EXPLODED VIEW ASSEMBLY - LIST 2	1
3	MMA 01 040 131	EXPLODED VIEW ASSEMBLY - LIST 3	1
4	MMA 01 040 141	EXPLODED VIEW ASSEMBLY - LIST 4	1
5	MMA 01 040 150	EXPLODED VIEW ASSEMBLY - LIST 5	1
6	MMA 01 040 161	EXPLODED VIEW ASSEMBLY - LIST 6	1
7	MMA 01 040 170	EXPLODED VIEW ASSEMBLY - LIST 7	1
8	MMA 01 040 181	EXPLODED VIEW ASSEMBLY - LIST 8	1

MA 053 010 208

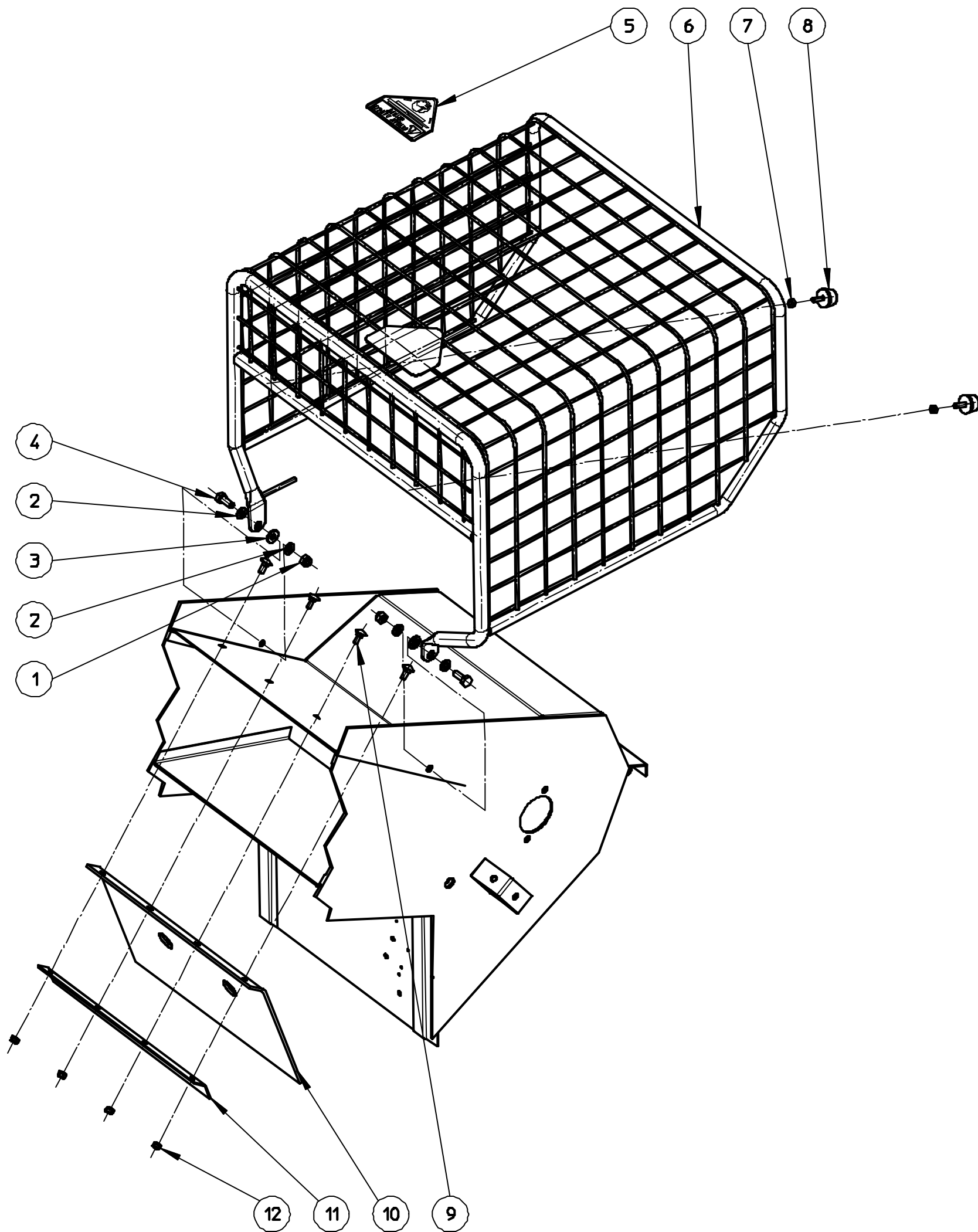
Last modified: 2003/01/07



TITLE		DRWR	
EXPLODE COTE AVANT		MMA-01.040.110	
ELIET NV - Zwevegemstraat 136 - B-8553 DTEGEM Tel. +32/56/77 70 88 - Fax: +32/56/77 5213		DATE	2002/10/25

KLIPPO PARTS MANUAL**GARDEN PRO LINE****KLIPPO PRO K 550****ASSEMBLY LIST 1**

ITEM	PART NUMBER	DESCRIPTION	QUANTITY
1	61 BR 602 006 151	RUBBER BUMPER	2
2	61 MPA 01 040 050	ANTI PROJECTION SHIELD	1
3	61 BQ 505 010 090	SAFETY STICKER	1
4	61 BS 502 000 600	SELF LOCKING NUT M6 DIN 985	2
5	61 BS 531 000 600	WASHER M6 DIN 125	8
6	61 BR 910 000 020	RETAINER ERTALON 80X20X2	2
7	61 BR 600 220 150	ANTIVIBRATION BLOCKS D:20 L:15 M6	2
8	61 BS 512 000 610	BOLT M6X10 DIN 933	2
9	61 MPA 01 040 040	SAFETY HANDLE	1
10	61 BS 502 000 800	SELF LOCKING NUT M8 DIN 985	2
11	61 BS 531 000 800	WASHER M8 DIN 125	8
12	61 BR 112 080 300	NYLON BUSHING 18/11/8X1.5+2	2
13	61 BS 505 500 600	NUT M6 DIN 1587	2
14	61 BS 512 000 820	BOLT M8X20 DIN 933	2
15	61 BS 512 000 630	BOLT M6X30 DIN 933	2
16	61 MPA 01 040 120	HOPPER	1
17	61 BR 000 910 280	RUBBER HOPPER EDGING	1
18	61 BS 512 000 816	BOLT M8X16 DIN 933	4
19	61 MPA 01 040 020	HANDLE	1



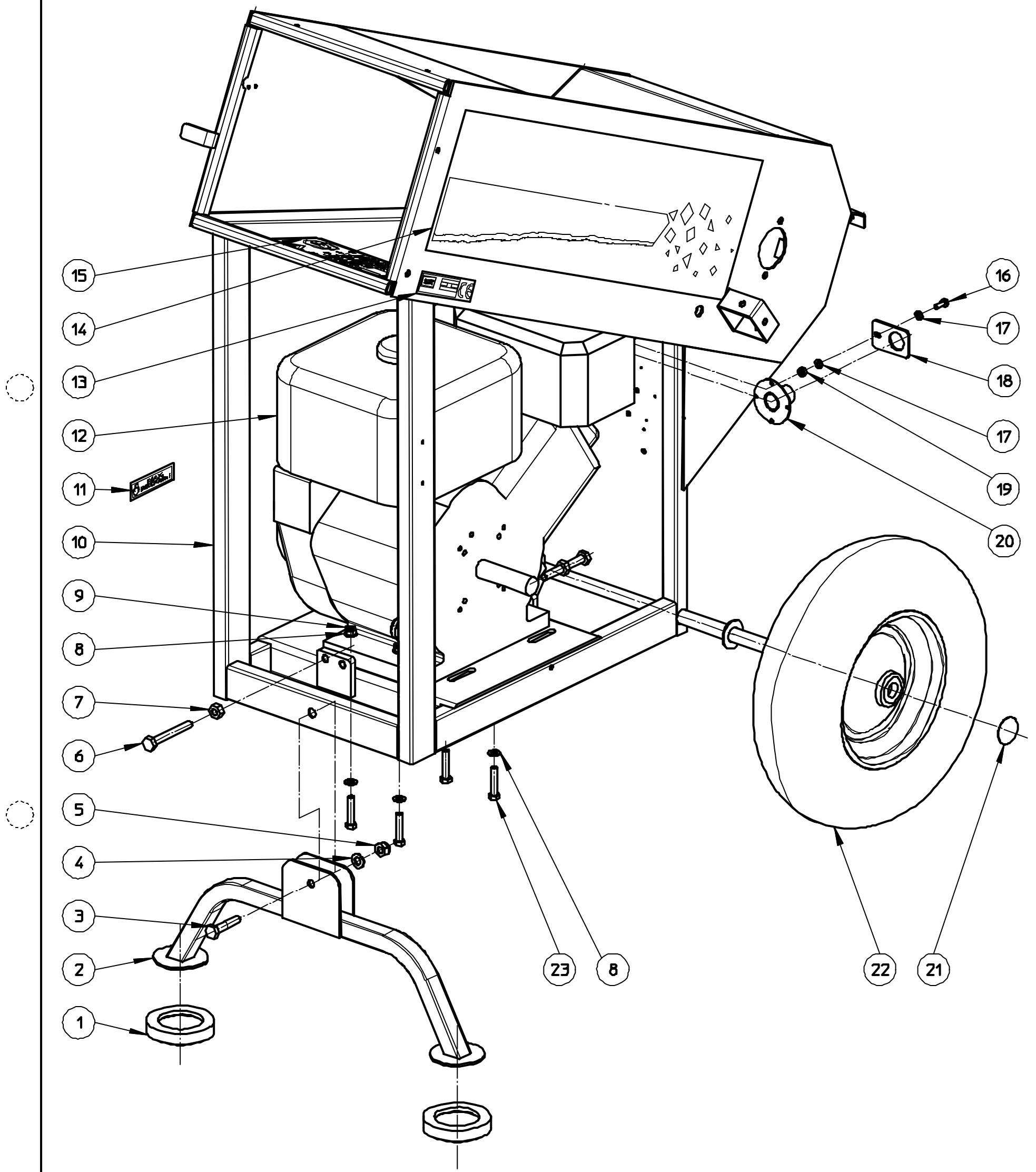
TITLE		DRWR	
EXPLODE COTE ARRIERE		MMA-01.040.121	
ELIET N.V. - Zwevegemstraat 136 - B-8553 OTEGEM Tel +32/56/77 70 88 - Fax. +32/56/77 5213		DATE	2003/01/07

KLIPPO PARTS MANUAL**GARDEN PRO LINE****KLIPPO PRO K 550****ASSEMBLY LIST 2**

ITEM	PART NUMBER	DESCRIPTION	QUANTITY
1	61 BS 502 000 800	SELF LOCKING NUT M8 DIN 985	2
2	61 BS 531 000 800	WASHER M8 DIN 125	4
3	61 BR 112 080 300	NYLON BUSHING 18/11/8X1.5+2	2
4	61 BS 512 000 820	BOLT M8X20 DIN 933	2
5	61 BQ 502 010 060	SAFETY STICKER 100X80	1
6	61 MPA 01 040 060	REAR SAFETY GUARD	1
7	61 BS 501 000 600	NUT M6 DIN 934	2
8	61 BR 600 425 170	RUBBER BUMPER D:25 L:17 M6X18	2
9	61 BS 554 100 616	BOLT M6X16 DIN 603	4
10	61 BR 900 001 220	ANTI PROJECTION FLAP	1
11	61 MPA 01 040 220	RETAINER ANTI PROJECTION FLAP	1
12	61 BS 502 000 600	SELF LOCKING NUT M6 DIN 985	4

MMA 01 040 121

Last modified: 2003/01/07



TITLE		DRWR	
EXPLODE CHASSIS COTE BAS		MMA-01.040.131	
ELIET N.V. - Zwevegemstraat 136 - B-8553 OTEGEM Tel +32/56/77 70 88 - Fax. +32/56/77 5213		DATE	2002/12/20

KLIPPO PRO K 550

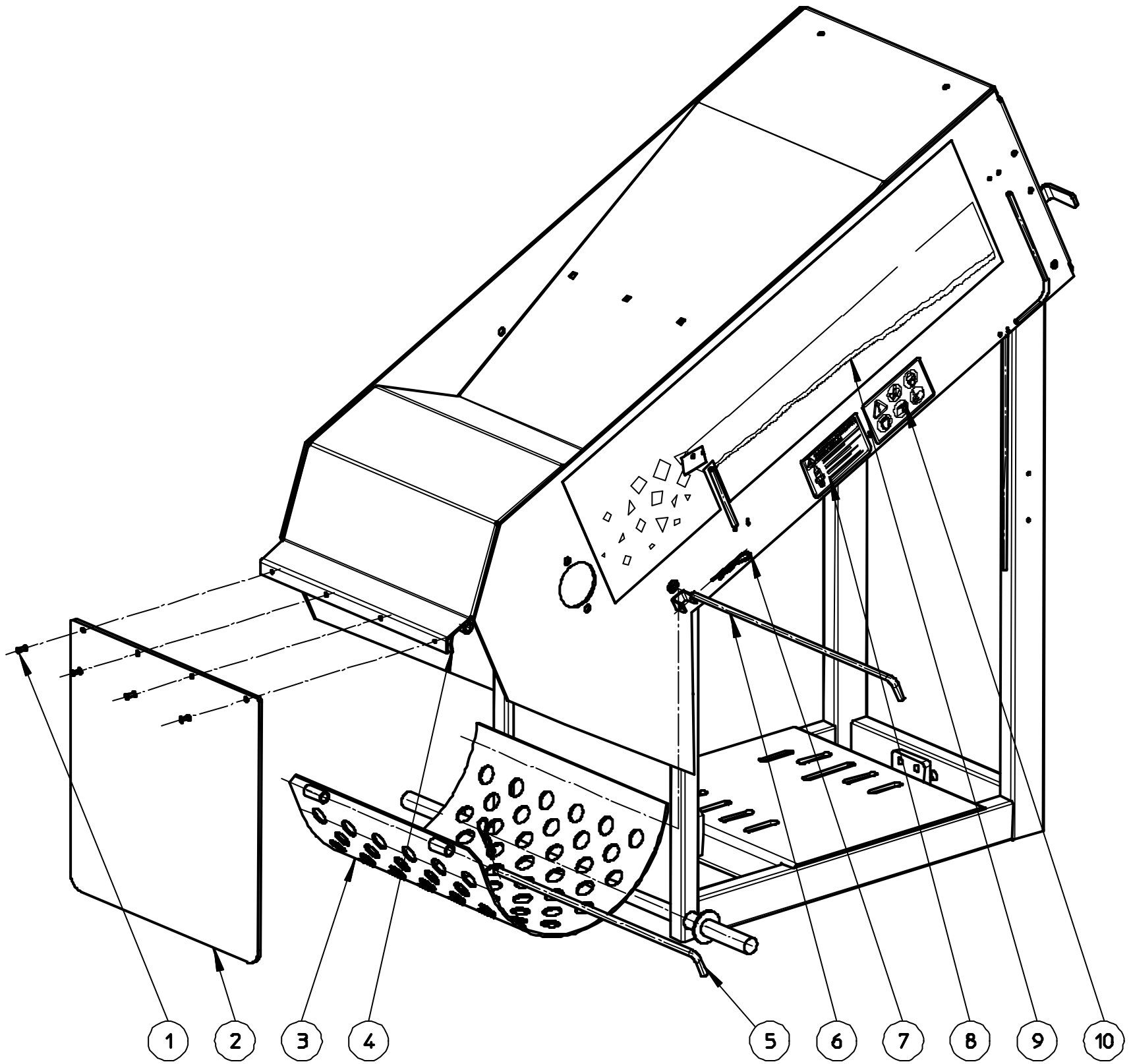
ASSEMBLY LIST 3

ITEM	PART NUMBER	DESCRIPTION	QUANTITY
1	61 BR 900 000 110	RUBBER SOCKS DIA: 90X18 MM	2
2	61 MPA 01 040 010	FOOT	1
3	61 BS 511 001 042	BOLT M10X50 DIN 931	1
4	61 BS 531 001 000	WASHER M10 DIN 125	1
5	61 BS 502 001 000	SELF LOCKING NUT M10 DIN 985	1
6	61 BS 512 001 048	BOLT M10X80 DIN 933	2
7	61 BS 501 001 000	NUT M10 DIN 934	2
8	61 BS 502 000 800	SELF LOCKING NUT M8 DIN 985	4
9	61 BS 531 000 800	WASHER M8 DIN 125	8
10	61 MPA 01 040 410	CHASSIS	1
11	61 BQ 505 010 030	STICKER MAX 3200 RPM 90X25	1
12		ENGINE*	1
13	61 BQ 505 010 010	IDENTITY STICKER CE 120X30	1
14	61 BQ 502 040 050	STICKER KLIPPO PRO K550 R 675X195	1
15	61 BQ 502 010 050	SAFETY STICKER 190X125	1
16	61 BS 512 000 616	BOLT M6X16 DIN 933	1
17	61 BS 531 000 600	WASHER M6 DIN 125	2
18	61 MPA 01 010 050	BRACE FOR MUFFLER PIPE	1
19	61 BS 502 000 600	SELF LOCKING NUT M6 DIN 985	1
20	61 MPA 01 010 110	MUFFLER PIPE HONDA GX270	1
21	61 BB 011 000 200	STAR LOCK 20MM	2
22	61 BW 040 020 000	WHEEL 4.80-4	2
23	61 BS 512 000 840	BOLT M8X40 DIN 933	4

ENGINE*

BM 202 109 000 HONDA GX 270

9 HP



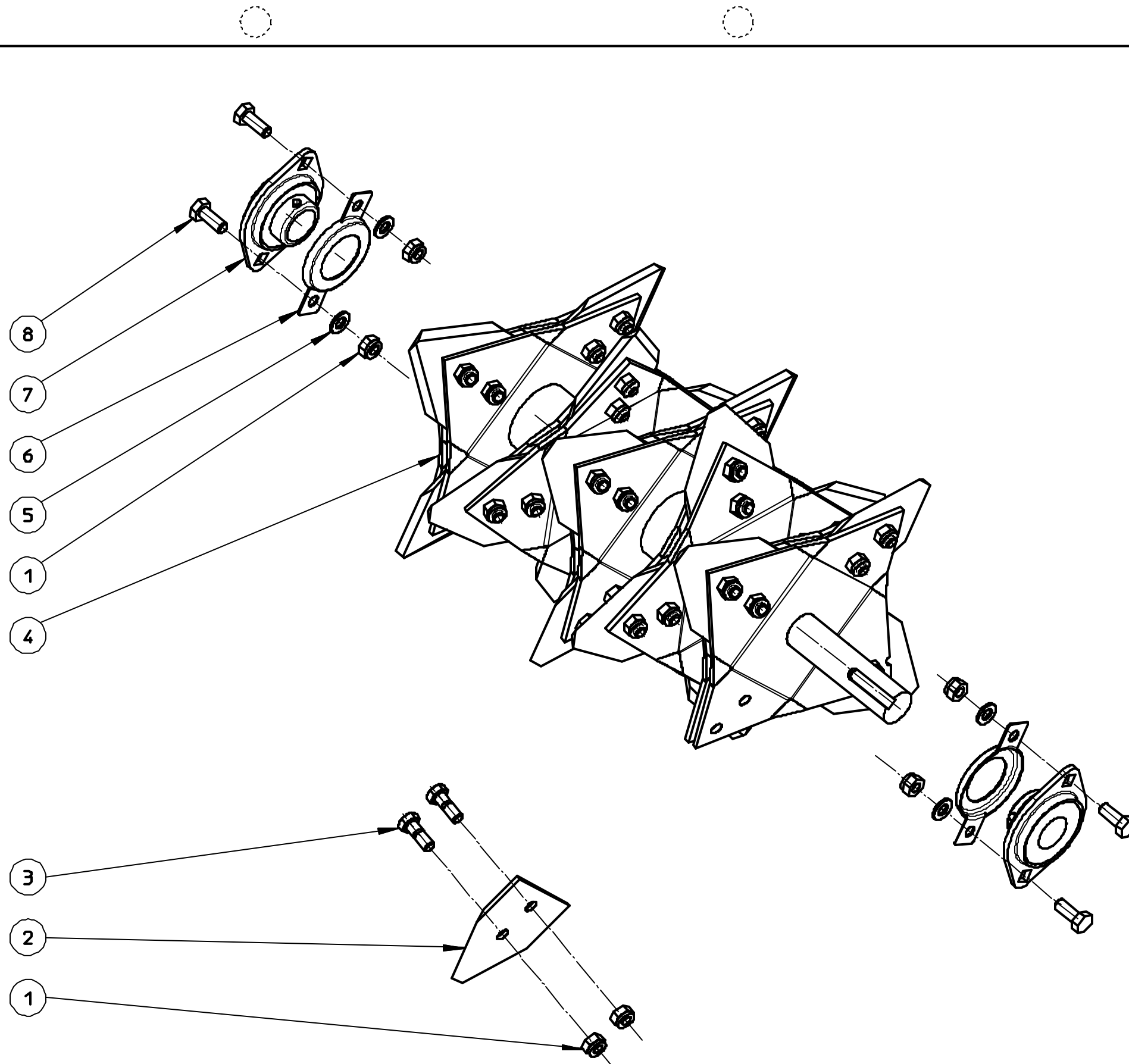
TITLE		DRWR	
EXPLODE AR. CHASSIS		MMA-01.040.141	
ELIET N.V. - Zwevegemstraat 136 - B-8553 OTEGEM Tel +32/56/77 70 88 - Fax. +32/56/77 5213		DATE	2002/12/20

KLIPPO PARTS MANUAL**GARDEN PRO LINE****KLIPPO PRO K 550****ASSEMBLY LIST 4**

ITEM	PART NUMBER	DESCRIPTION	QUANTITY
1	61 BB 221 104 160	POP PLUG DIN 7337 ALU 3.9X16	4
2	61 BR 900 001 030	RUBBER ANTIPROJECTION FLAP	1
3	61 MPA 01 040 420	STD GRATING	1
4	61 MPA 01 040 080	RETAINER FOR ANTIPROJECTION FLAP	1
5	61 MPA 01 040 140	LOCKING ROD WITH HOLE	1
6	61 MPA 01 040 130	LOCKING ROD WITHOUT HOLE	1
7	61 BB 040 102 040	HAIRPIN COTTER	2
8	61 BQ 502 010 040	SAFETY STICKER - SPARK PLUG	1
9	61 BQ 502 040 050	STICKER MAJOR L 675X195	1
10	61 BQ 505 010 050	SAFETY STICKER - PICTOGRAMS	1

MMA 01 040 141

Last modified: 2003/01/07



TITLE		DRWR	
EXPLODE ROTOR		MMA-01.040.150	
ELIET NV - Zwevegemstraat 136 - B-8553 DTEGEM Tel. +32/56/77 70 88 - Fax: +32/56/77 5213		DATE	2002/10/28

KLIPPO PARTS MANUAL

GARDEN PRO LINE

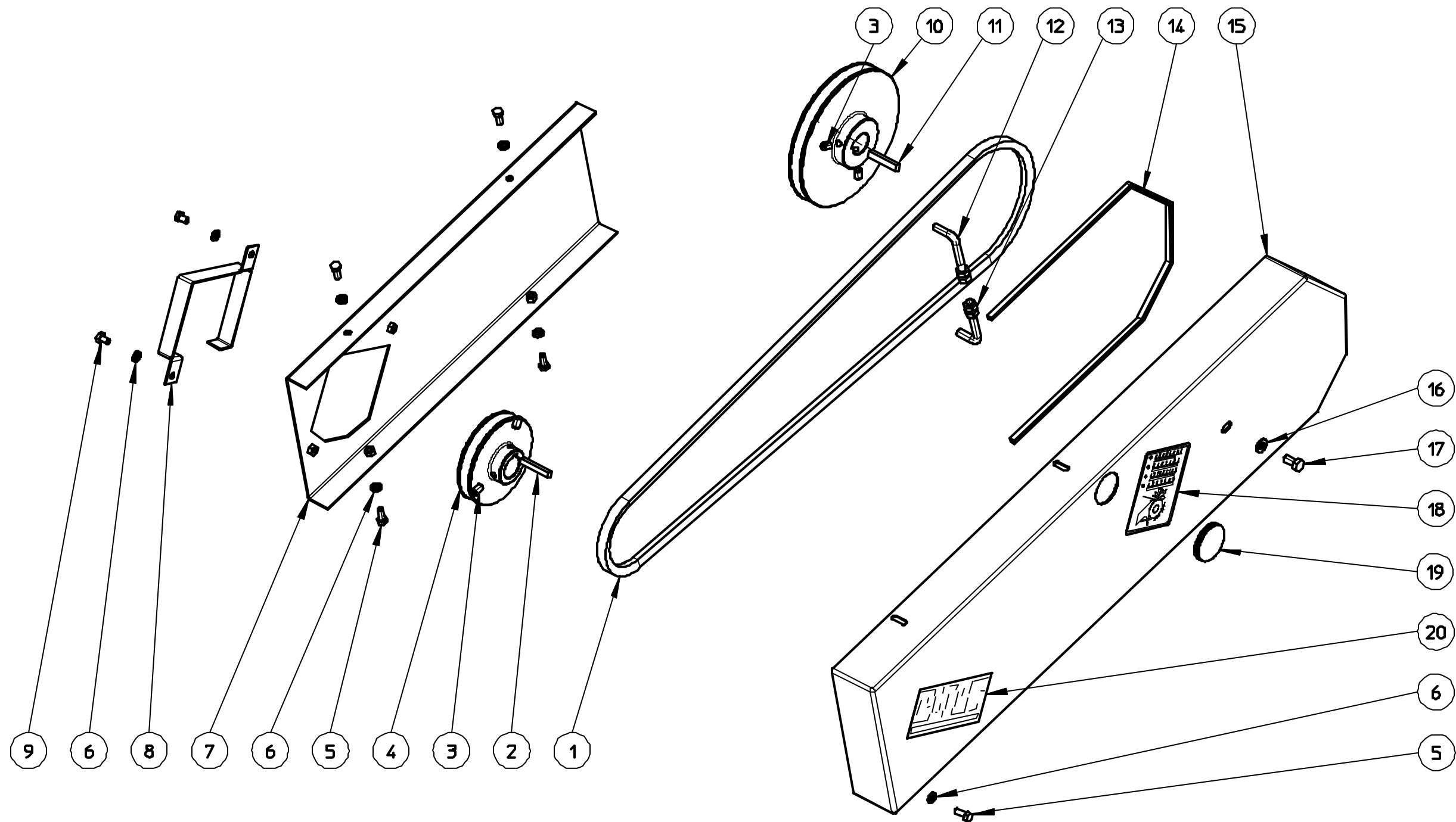
KLIPPO PRO K 550

ASSEMBLY LIST 5

ITEM	PART NUMBER	DESCRIPTION	QUANTITY
1	61 BS 502 000 800	SELF LOCKING NUT M8 DIN 985	44
2	61 BU 101 200 300	KNIFE 83X76X3	20
3	61 BS 011 000 822	BOLT M8X22 DIN 931	40
4	61 MPA 01 040 500	ENTIRE ROTOR	1
5	61 BS 531 000 800	WASHER M8 DIN 125	4
6	61 MPA 01 010 020	BEARING PROTECTION COVER PFL205	2
7	61 BL 801 102 500	BEARING + FLANGES	2
8	61 BS 512 000 820	BOLT M8X20 DIN 933	4

MMA 01 040 150

Last modified: 2003/01/07

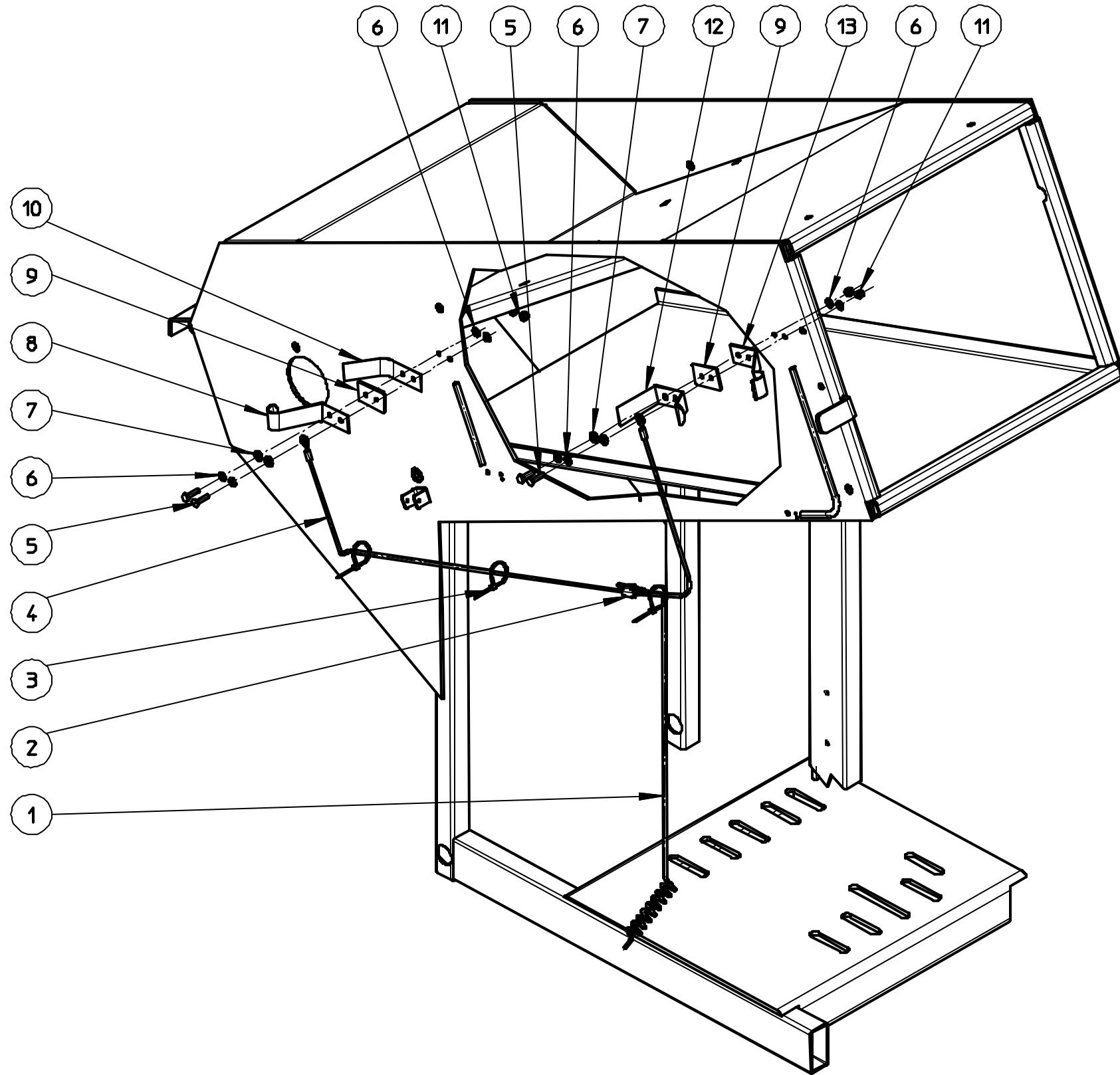


TITLE		DRWR	
EXPLODE TRANSMISSION		MMA-01.040.161	
ELIET NV - Zwevegemstraat 136 - B-8553 OTEGEM Tel. +32/56/77 70 88 - Fax: +32/56/77 5213		DATE	2002/12/20

KLIPPO PRO K 550

ASSEMBLY LIST 6

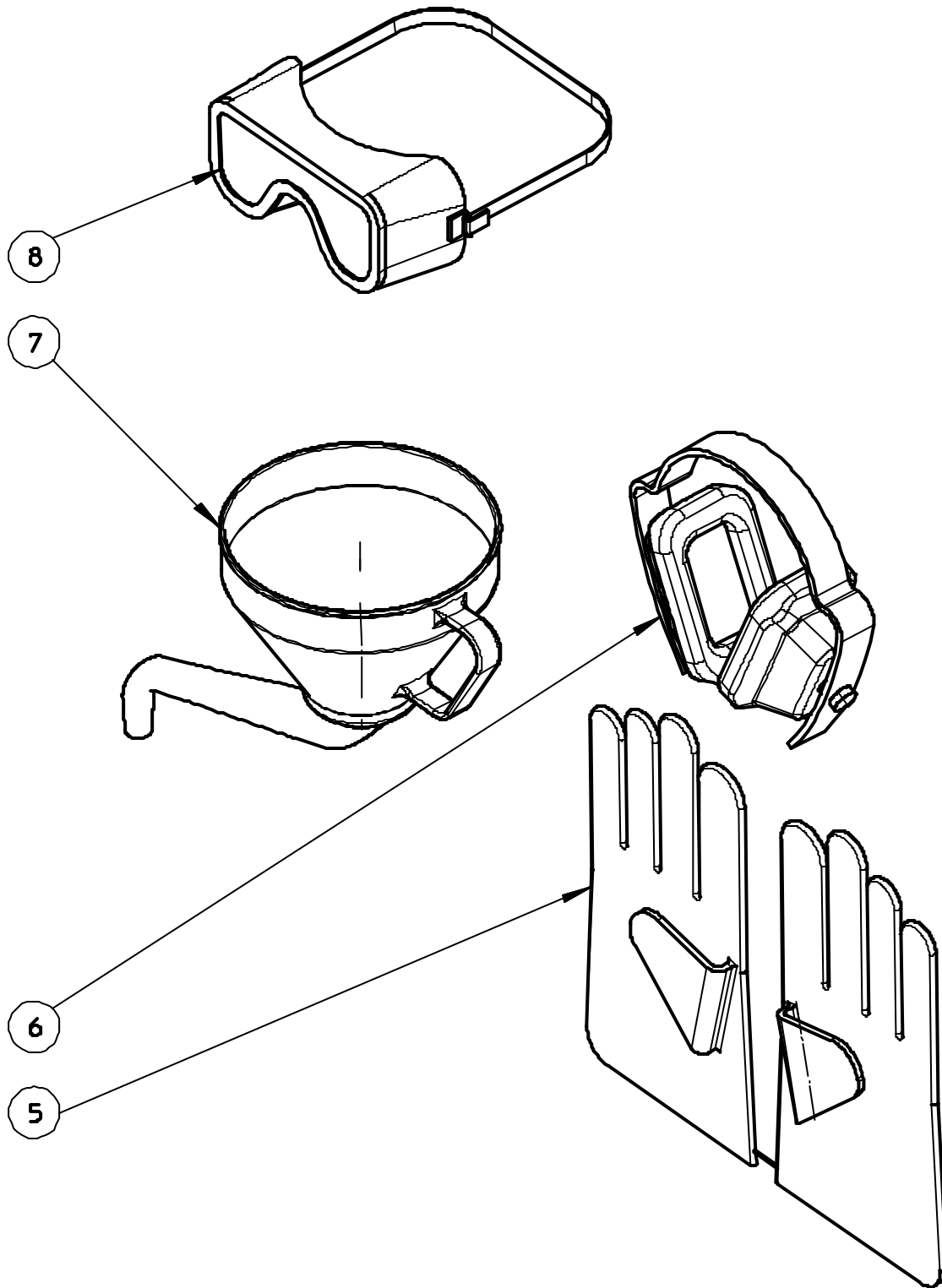
ITEM	PART NUMBER	DESCRIPTION	QUANTITY
1	61 BA 521 216 000	V-BELT XPA 1600 QUAD-POWER	1
2	61 BB 342 064 640	KEY 6.35X6.35X40	1
3	61 BS 023 000 812	SET SCREW M8X12 DIN 916	4
4	61 BA 565 710 004	ENGINE DRIVE PULLEY SPA 100X25.4X6.4	1
5	61 BS 512 000 616	BOLT M6X16 DIN 933	5
6	61 BS 531 000 600	WASHER M 6 DIN 125	5
7	61 MPA 01 030 440	TRANSMISSION GUARD	1
8	61 MPA 01 010 150	CRANKSHAFT 20MM GUARD	1
9	61 BS 512 000 610	BOLT M6X10 DIN 933	2
10	61 BA 565 716 001	PULLEY SPA 160X25X8	1
11	61 BB 341 080 740	KEY 8X7X40	1
12	61 MPA 01 010 180	V-BELT GUIDE	2
13	61 BS 501 000 800	NUT M8 DIN 934	4
14	61 BR 000 910 600	RUBBER GUARD EDGING	1
15	61 MPA 01 030 110	V-BELT GUARD	1
16	61 BS 531 000 800	WASHER M8 DIN 125	1
17	61 BS 512 000 816	BOLT M8X16 DIN 933	1
18	61 BQ 502 010 030	SAFETY STICKER - BELT GUARD	1
19	61 BR 500 103 800	RUBBER PLUG 42X38X1.6	1



TITLE		DRWR	
EXPLODE ELECTRIQUE		MMA-01.040.170	
ELIET NV - Zwevegemstraat 136 - B-8553 DTEGEM Tel. +32/56/77 70 88 - Fax: +32/56/77 5213		DATE	2002/10/28

KLIPPO PARTS MANUAL**GARDEN PRO LINE****KLIPPO PRO K 550****ASSEMBLY LIST 7**

ITEM	PART NUMBER	DESCRIPTION	QUANTITY
1	61 BE 090 231 301	RED WIRE 1.5 CE 130	1
2	61 BE 031 034 201	BLUE WIRE CONNECTOR 2.5 MM	1
3	61 BE 043 010 100	WRAP TIE 100 X 2.5	3
4	61 BE 090 230 561	RED WIRE 1.5 CE 56	1
5	61 BS 512 000 416	BOLT M4X16 DIN 933	4
6	61 BS 531 000 400	WASHER M4 DIN 125	8
7	61 BR 112 060 300	INSOLATOR WASHER 10/6/1 (10/5.9/4.2X1.7+1.3)	4
8	61 BV 901 000 040	REAR SAFETY SWITCH PART 1	1
9	61 BR 737 010 010	PVC SWITCH INSOLATOR 36X23X2	2
10	61 BV 901 000 050	REAR SAFETY SWITCH PART 2 (EARTH)	1
11	61 BS 502 000 400	SELF LOCKING NUT M4 DIN 985	4
12	61 BV 901 000 020	FRONT SAFETY SWITCH PART 1	1
13	61 BV 901 000 030	FRONT SAFETY SWITCH PART 2	1



TITLE		DRWR	
EXPLODE ACCESSOIRES		MMA-01.040.181	
ELIET N.V. - Zwevegemstraat 136 - B-8553 OTEGEM Tel +32/56/77 70 88 - Fax. +32/56/77 5213		DATE	2003/01/06

KLIPPO PARTS MANUAL**GARDEN PRO LINE****KLIPPO PRO K 550****ASSEMBLY LIST 8**

ITEM	PART NUMBER	DESCRIPTION	QUANTITY
5	61 BQ 710 050 000	GLOVES	1
6	61 BQ 700 050 000	HEARING PROTECTORS	1
7	61 BG 900 010 502	FUNNEL	1
8	61 BQ 720 050 000	GOGGLES	1

MMA 01 040 181

Last modified: 2003/01/07