

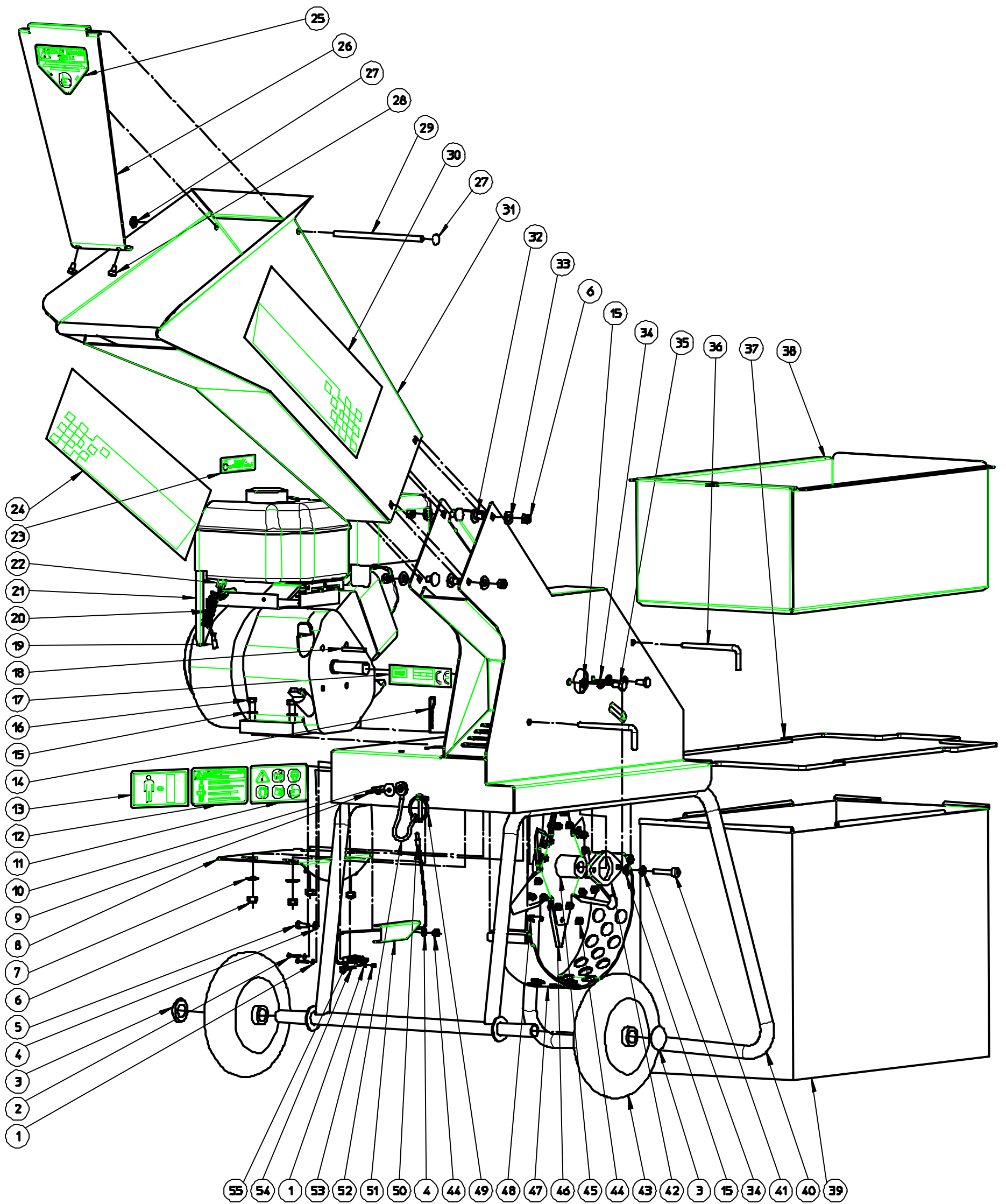
**KLIPPO PARTS MANUAL**

**GARDEN PRO LINE**

**KLIPPO PRO K 310**

**GENERAL LIST**

ITEM	PART NUMBER	DESCRIPTION	QUANTITY
1	MA-051.020.201	EXPLODED VIEW ASSEMBLY - LIST 1	1



TITLE		DRAWNR	
PRO K MOTEUR GC 136		MA-051.020.201	
ELET NV - Zwevegemstraat 136 - B-8553 OTEGEM Tel +32/56/77.70.88 - Fax +32/56/77.5213		DATE	2002/12/19

**KLIPPO PARTS MANUAL**     **GARDEN PRO LINE****KLIPPO PRO K 310****ASSEMBLY LIST 1 (MACHINE)**

<b>ITEM</b>	<b>PART NUMBER</b>	<b>DESCRIPTION</b>	<b>QUANTITY</b>
1	61 BS 531 000 303	WASHER M3 DIN 125	4
2	61 BS 512 000 323	SCREW M3X20 DIN 933	2
3	61 BB 011 000 203	STAR LOCK 20MM	2
4	61 BS 531 000 603	WASHER M6 DIN 125	2
5	61 BS 512 000 619	BOLT M6X16 DIN 933	1
6	61 BS 502 000 803	SELF LOCKING NUT M8 DIN 985	8
7	61 BS 532 008 257	WASHER M8X25X2	4
8	61 MPA 01 230 083	REINFORCING PLATE	1
9	61 BB 221 105 163	POP PLUG DIN 7337 ALU 4.8X16	1
10	61 BS 532 005 206	WASHER M5X20X1.5	1
11	61 BQ 505 010 053	SAFETY STICKER - PICTOGRAMS	1
12	61 BQ 502 010 043	SAFETY STICKER - SPARK PLUG	1
13	61 BQ 505 010 153	SAFETY STICKER - KEEP DISTANCE	1
14	61 BB 040 102 043	HAIRPIN COTTER 2MM	2
15	61 BS 531 000 803	WASHER M8 DIN 125	11
16	61 BS 512 000 843	BOLT M8X40 DIN 933	4
17	61 BQ 505 010 013	IDENTITY STICKER CE 120X30	1
18	61 BB 342 050 547	KEY 4.7X4.7X44	1
19	61 BE 031 017 103	PRE-INSULATED TERMINAL (FEMALE) 1,5 DIAM 4	1
20	61 BE 090 230 304	RED WIRE 1.5 CE 30	1
21	61	ENGINE*	1
22	61 BE 031 034 204	BLEU WIRE CONNECTOR 2.5 MM	1
23	61 BQ 505 010 033	STICKER MAX 3200 RPM 90X25	1
24	61 BQ 502 020 113	STICKER KLIPPO PRO K 310 L	1
25	61 BQ 502 010 063	SAFETY STICKER 100X80	1
26	61 MPA 01 230 063	ANTI-PROJECTION SHIELD	1

**KLIPPO PARTS MANUAL    GARDEN PRO LINE****KLIPPO PRO K 310****ASSEMBLY LIST 1 (MACHINE)**

<b>ITEM</b>	<b>PART NUMBER</b>	<b>DESCRIPTION</b>	<b>QUANTITY</b>
27	61 BB 011 000 083	STAR LOCK 8MM	2
28	61 BR 602 006 154	RUBBER BUMPER	2
29	61 MPA 01 230 093	HINGE AXLE	1
30	61 BQ 502 020 113	STICKER.KLIPPO PRO K 310 R	1
31	61 MPA 01 230 423	HOPPER	1
32	61 BS 554 100 819	BOLT M8X16 DIN 603	4
33	61 BS 531 001 003	WASHER M10 DIN 125	4
34	61 BS 533 000 803	WASHER M8 DIN 127	3
35	61 BS 512 000 819	BOLT M8X16 DIN 933	2
36	61 MPA 01 230 070	LOCKING ROD	2
37	61 MPA 01 230 040	FRAME FOR COLLECTING BAG	1
38	61 MA 001 001 004	OUTPUT DEFLECTOR	1
39	61 BQ 348 020 014	COLLECTING BAG	1
40	61 MPA 01 230 413	CHASSIS	1
41	61 BS 521 140 843	BOLT 5/16 X 1"1/2 DIN 912	1
42	61 BR 910 000 033	NYLON BUSHING	1
43	61 BW 020 020 003	WHEEL 200X50 2PR	2
44	61 BS 502 000 603	SELF LOCKING NUT M6 DIN 985	19
45	61 MPA 01 230 053	ENTIRE ROTOR	1
46	61 BU 101 100 203	KNIFE 3 HOLES 76"50"3	6
47	61 MPA 01 230 433	STD GRATING	1
48	61 BS 012 000 621	BOLT M6X18 DIN 933	18
49	61 BB 040 304 033	LOCKING PIN WITH BRACKET DIAM 4,5MM	1
50	61 BE 031 010 803	PRE-INSULATED TERMINAL (MALE) 1,5 DIAM 4	1
51	61 MPA 01 230 103	SWITCH COVER	1
52	61 BQ 201 200 043	SAFETY STRING PVC TRANSPARENT	1
53	61 BS 502 000 303	SELF LOCKING NUT M3 DIN 985	2
54	61 BE 120 010 503	SAFETY SWITCH D2VW-5L31M	1

**KLIPPO PARTS MANUAL**    **GARDEN PRO LINE**

**KLIPPO PRO K 310**

**ASSEMBLY LIST 1 (MACHINE)**

<b>ITEM</b>	<b>PART NUMBER</b>	<b>DESCRIPTION</b>	<b>QUANTITY</b>
55	61 BE 031 012 903	EYED TERMINAL M3	1

Engine\*            BM-202.004.000    4 HP Honda GC 135

MA-051.020.201    Last modified: 2002/12/18