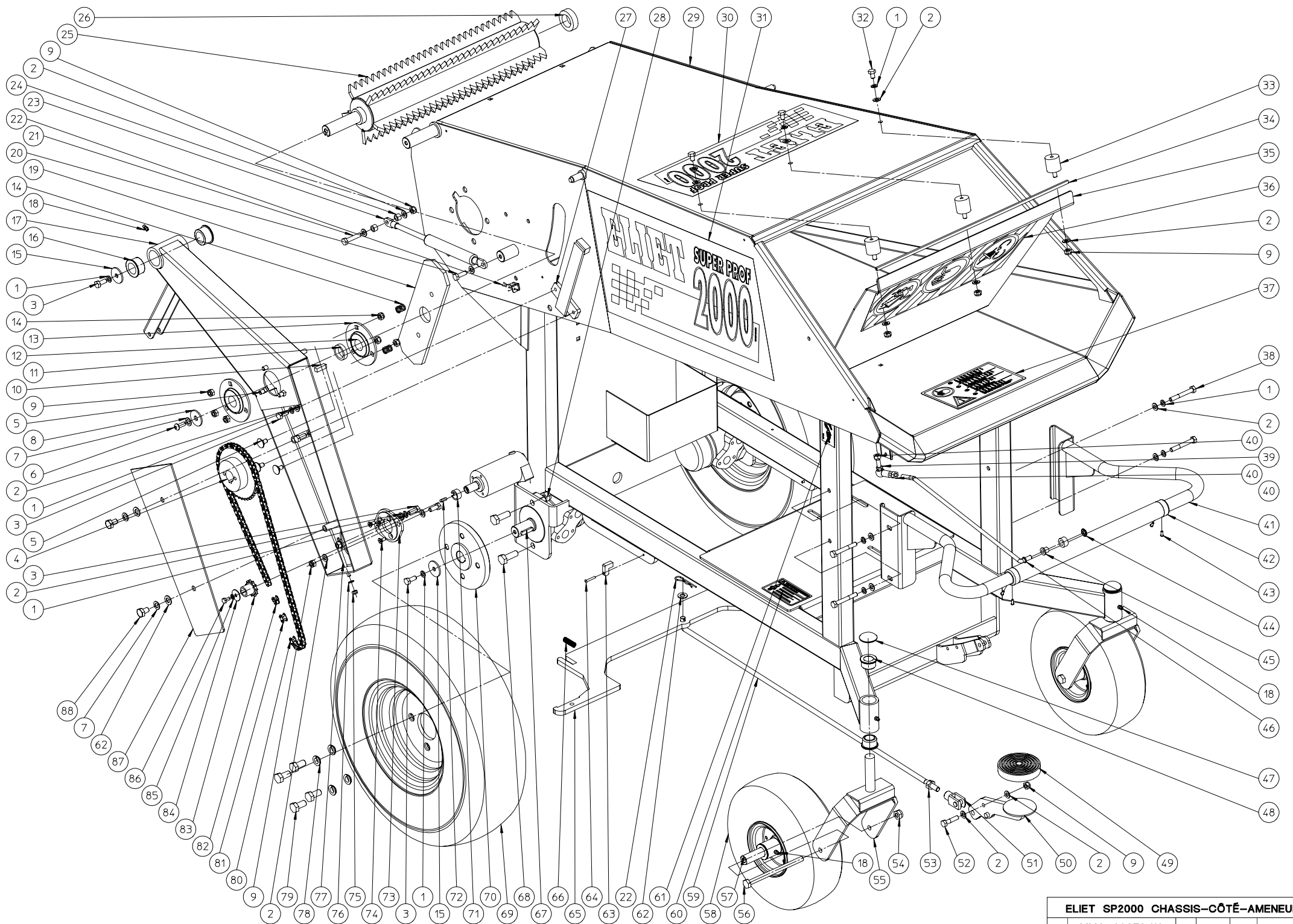


KLIPPO PARTS MANUAL

KLIPPO PRO K 1200

OVERVIEW OF EXPLODE VIEW DRAWINGS

	DRAWING	DESCRIPTION	DRAW. REF.	MODIFIED
1	EXPLODED VIEW DRAWING 1	MACHINE LEFT SIDE	MMA 01 070 111-1	9-okt-2003
2	EXPLODED VIEW DRAWING 2	MACHINE RIGHT SIDE	MMA 01 070 121-1	9-okt-2003
3	EXPLODED VIEW DRAWING 3	ROTOR	MMA 01 070 131-1	9-okt-2003
4	EXPLODED VIEW DRAWING 4	HYDRAULIC SYSTEM	MMA 01 070 141-1	9-okt-2003
5	EXPLODED VIEW DRAWING 5	ELECTRICAL SYSTEM	MMA 01 070 151-1	9-okt-2003



KLIPPO PARTS MANUAL

KLIPPO PRO K 1200

ASSEMBLY LIST 1

MACHINE LEFT SIDE

MMA 01 070 111-1

ITEM	PART NUMBER	DESCRIPTION	QUANTITY
1	61 BS534000800	LOCK WASHER M8 DIN 6798	13
2	61 BS531000800	WASHER M8 DIN 125	21
3	61 BS512000820	BOLT M8X20 DIN 933	7
4	61 BA161040251	SPROCKET SIMPLEX 40 TOOTH	1
5	61 BS554100816	BOLT M8X16 DIN 603	6
6	61 BS522500820	BOLT M10X20 DIN 7981	1
7	61 BS534001000	LOCK WASHER M10 DIN 6798	3
8	61 BS532010356	WASHER M10X35X3	1
9	61 BS502000800	SELFLOCKING NUT M8 DIN 985	12
10	61 BB341080826	KEY 8X8X26 DIN 6880	1
11	61 MPA01070440	SPACER	1
12	61 BL512505203	BEARING AS 205	2
13	61 BL711502500	STEEL BEARING FLANGE PF 205	2
14	61 BV911000010	SPRING DIA 14 X 2 X 16	2
15	61 BS532008356	WASHER M8X35X3	3
16	61 BR112262110	NYLON RING WITH COLAR (40/35.5/26X2+19)	2
17	61 MPA01070120	ARM INFEEDROLLER	1
18	61 BY100106100	GREASE FITTING M6	5
19	61 BR910000040	NYLON COVER	1
20	61 BS512000825	BOLT M8X25 DIN 933	1
21	61 BS512000840	BOLT M8X40 DIN 933	1
22	61 BB040102040	HAIRPIN COTTER 2MM	2
23	61 BV521010001	GAS STRUTS 500N	1
24	61 MPA01070420	BUSHING	2
25	61 MPA01070030	INFEEDROLLER	1
26	61 BR111291310	NYLON SPACING RING 44X28.5X13	1
27	61 MPA01070250	ARM RETAINER	1
28	61 BS502001200	NUT M12 DIN 985	4
29	61 MDT01070301	CHASSIS	1
30	61 BQ501070010	STICKER KLIPPO K1200 470X220	1
31	61 BQ501070020	STICKER KLIPPO K1200 640X280	1
32	61 BS512000812	BOLT M8X12 DIN 933	3
33	61 BR600130301	RUBBER ANTIVIBRATION BLOCK 30X30 M8X16	3
34	61 BR000910530	RUBBER EDGING	1
35	61 MPA01070170	ANTIPROJECTION SHIELD	1
36	61 BQ505010100	SAFETY STICKER 460X200	1

KLIPPO PARTS MANUAL

KLIPPO PRO K 1200

ASSEMBLY LIST 1

MACHINE LEFT SIDE

MMA 01 070 111-1

ITEM	PART NUMBER	DESCRIPTION	QUANTITY
37	61 BQ505010110	SAFETY STICKER 190X125 (INFEED)	1
38	61 BS511000844	BOLT M8X60 DIN 931	4
39	61 BA230010800	BALL JOINT M8	1
40	61 BS501000800	NUT M8 DIN 934	2
41	61 MPA01070060	PUSH BRACKET	1
42	61 BR001001001	BUSHING	2
43	61 BB221104100	STEEL PLUG 3.9 X 10 DIN 7337	4
44	61 BB011000080	STARLOCK 8MM	1
45	61 BR112081300	NYLON BUSHING (16X11X8X2+11)	1
46	61 MPA01070380	ROD	1
47	61 BB011000200	STARLOCK 20MM	2
48	61 BR112201910	NYLON BEARING (35/30/20.5X2.5+16.5)	6
49	61 BR900000110	RUBBER SOCK 90X18MM	1
50	61 MPA01070130	BRAKE PEDAL	1
51	61 BS556001000	FORK M10X20 DIN71752	1
52	61 BS511000835	BOLT M8X35 DIN 931	1
53	61 BS501001000	NUT M10 DIN 934	1
54	61 BS502001000	NUT M10 DIN 985	2
55	61 MPA01070140	FRONT WHEEL FORK	2
56	61 BS512001055	BOLT M10 X 150 DIN 933	2
57	61 MPA01070390	FRONT WHEEL AXLE	2
58	61 BW029020100	FRONT WHEEL 4.00-4	2
59	61 MPA01070190	BRAKE ROD	1
60	61 BQ502010040	SAFETY STICKER SPARKPLUG 60X100	1
61	61 BQ501060090	STICKER HOOK ATTACHEMENT	1
62	61 BS531001000	WASHER M10 DIN 125	3
63	61 BR910000050	NYLON TOUCH BLOCK	2
64	61 BB221004250	STEEL PLUG 3.9 X 25 DIN 7337	2
65	61 MPA01070200	BRAKE	1
66	61 BV907000020	SPRING 10 X 1 X 60	2
67	61 BB351080725	KEY 8X7X32 DIN 6885A	2
68	61 BS512001235	BOLT M12X35 DIN 933	4
69	61 BW054060000	REAR WHEEL 6,00-9 6PR	2
70	61 BA281504501	HUB REAR WHEEL	2
71	61 MPA01070430	SPACER	1
72	61 BB351050515	KEY 5X5X16 DIN 6885A	1
73	61 BH330600000	FLANGE HYDRAULIC ENGINE	1

KLIPPO PARTS MANUAL

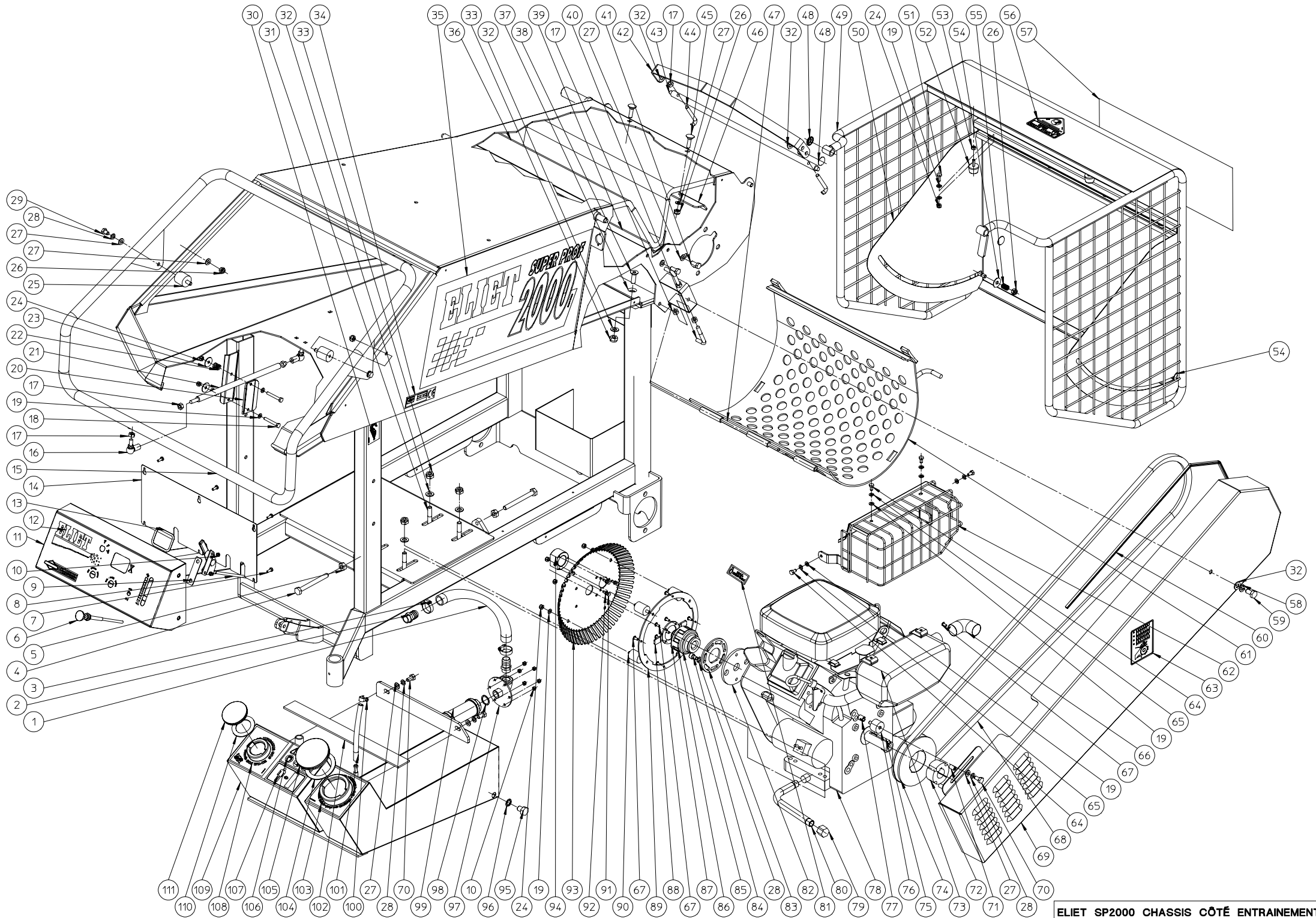
KLIPPO PRO K 1200

ASSEMBLY LIST 1

MACHINE LEFT SIDE

MMA 01 070 111-1

ITEM	PART NUMBER	DESCRIPTION	QUANTITY
74	61 BS044600810	BOLT M6X14 ISO 7046	3
75	61 BS502000600	SELFLOCKING NUT M6 DIN 985	1
76	61 BS531000600	WASHER M6 DIN 125	1
77	61 BS551100646	EYEBOLT M6X70 /M8 DIN 444	1
78	61 BS535301210	LOCK CUPWASHER M12 DIN 74361	8
79	61 BS512301225	BOLT M12X1.5X25 DIN 933	8
80	61 BA101104020	CHAIN SIMPLEX 3/8"X7/32" 104 LINKS	1
81	61 BA151200000	CONNECTING CHAINLINK 3/8"X7/32"	1
82	61 BA151400000	CONNECTING CHAIN LINK (1/2) 3/8"X7/32"	1
83	61 BA161011163	SPROCKET SIMPLEX 25 TOOTH	1
84	61 BS532006253	WASHER M6X25X1.5	1
85	61 BS534000600	LOCKING WASHER M6 DIN 6798	1
86	61 BS512000612	BOLT M6X12 DIN 933	1
87	61 MPA01070040	COVER FOR CHAINTRANSMISSION	1
88	61 BS512001016	BOLT M10X16 DIN 933	2



ELIET SP2000 CHASSIS CÔTÉ ENTRAINEMENT

NO	MMA-01.070.120	REV	1	DATE	2003/10/08
----	----------------	-----	---	------	------------

KLIPPO PARTS MANUAL

KLIPPO PRO K 1200

ASSEMBLY LIST 2

MACHINE RIGHT SIDE

MMA 01 070 121-1

ITEM	PART NUMBER	DESCRIPTION	QUANTITY
1	61 BR200219038	SUCKING HOSE	1
2	61 BT136260820	INSERT CONNECTOR FOR HOSE 20 X 1/2	2
3	61 BT670117290	HOSE CLAMP 17X29 MM	2
4	61 BS512001050	BOLT M10X100 DIN 933	2
5	61 BS501001000	NUT M10 DIN 934	2
6	61 BK181151060	CHOKE CONTROL	1
7	61 BS549014813	BOLT M6X16 DIN 7981	6
8	61 BM260692541	THROTTLE CONTROL	1
9	61 MPA01070280	SPACER	1
10	61 BS502000500	SELFLOCKING NUT M5 DIN 985	8
11	61 MPA01070100	DASHBOARD	1
12	61 BQ501060030	STICKER DASHBOARD	1
13	61 MPA01070360	WINDOW	1
14	61 MPA01070050	DASHBOARD COVER	1
15	61 MPA01070150	CONTROL HANDLE BAR INFEED ROLLER	1
16	61 BA230010800	BALL JOINT M8	2
17	61 BS501000800	NUT M8 DIN 934	9
18	61 BS512000641	BOLT M6X45 DIN 933	2
19	61 BS531000600	WASHER M6 DIN 125	18
20	61 MPA01070310	CONTROL BRAKE	1
21	61 MPA01070370	ROD	1
22	61 BV911000010	SPRING DIA 14 X 2 X 16	2
23	61 BS532006253	WASHER M6X25X1.5	2
24	61 BS502000600	SELFLOCKING NUT M6 DIN 985	10
25	61 BR600130301	ANTI VIBRATION BLOCK 30X30B M8X16 70 SHORE	2
26	61 BS502000800	SELFLOCKING NUT M8 DIN 985	10
27	61 BS531000800	WASHER M8 DIN 125	17
28	61 BS534000800	LOCKING WASHER M8 DIN 6798	6
29	61 BS512000812	BOLT M8X12 DIN 933	2
30	61 BQ501060090	STICKER HOOK ATTACHEMENT	1
31	61 MPA01070230	ENGINE FIXING PLATE	1
32	61 BS531001000	WASHER M10 DIN 125	11
33	61 BS502001000	SELFLOCKING NUT M10 DIN 985	8
34	61 BQ505010010	IDENTITY STICKER CE 120X30	1
36	61 BR900001110	SILENCER	1
37	61 MPA01070180	ANVIL	1

KLIPPO PARTS MANUAL

KLIPPO PRO K 1200

ASSEMBLY LIST 2

MACHINE RIGHT SIDE

MMA 01 070 121-1

ITEM	PART NUMBER	DESCRIPTION	QUANTITY
38	61 BS522101030	BOLT M10X10 DIN 7991	4
39	61 MPA01070320	SUPPORT FOR SILENCER	1
40	61 MPA01010180	BELTGUIDE	2
41	61 BS512000820	BOLT M8X20 DIN 933	4
42	61 MPA01070020	LEVER	1
43	61 MPA01070220	AXLE	1
44	61 MPA01070400	ADJUSTABLE HOOK	2
45	61 BS554100830	BOLT M8X30 DIN 603	2
46	61 MPA01070330	RETAINER FOR SILENCER	1
47	61 MPA01070210	ROD	1
48	61 BB011000090	STARLOCK 9MM	4
49	61 MPA01070080	REAR SAFETY GUARD	1
50	61 MPA01070090	ANTI PROJECTION GUARD	1
51	61 BS512000616	BOLT M6X16 DIN 933	4
52	61 BR600425170	RUBBER DAMPER M6X18 D:25 L:17	2
53	61 BS501000600	NUT M6 DIN 934	2
54	61 BS532008253	WASHER M8X25X1.5	4
55	61 BV907000010	SPRING 12 X 1.5 X 16	2
56	61 BQ502010060	SAFETY STICKER (HANDCUTS) 100X80	1
57	61 BQ501070010	STICKER KLIPPO K1200 470X220	1
58	61 BS533001000	LOCKING WASHER M10 DIN 127	1
59	61 BS512001020	BOLT M10X20 DIN 933	1
60	61 BR000911120	GUARD EDGING	1
61	61 MPA01070070	CALIBRATING GRATING	1
62	61 BM261300100	MUFFLER GUARD	1
63	61 BQ502010130	SAFETY STICKER (BELTTRANSMISSION) 100X80	1
64	61 BS512000612	BOLT M6X12 DIN 933	4
65	61 BS533000600	LOCKING WASHER M6 DIN 127	4
66	61 BT122172828	COPPER ELBOW 28MM	1
67	61 BB221005100	STEEL PLUG 4.8X10 DIN 7337	9
68	61 BA521323600	BELT XPA 2360 QUAD-POWER	1
69	61 MPA01070160	BELT GUARD	1
70	61 BS512000816	BOLT M8X16 DIN 933	3
71	61 BB501310160	SETSCREW 3/8"X5/8"	2
72	61 BB501231600	TAPER LOCK TL1610-1"	1
73	61 BM261300200	MUFFLER	1
74	61 BA563712501	PULLEY SPB 125 FOR TAPERLOCK TL1610	1

KLIPPO PARTS MANUAL

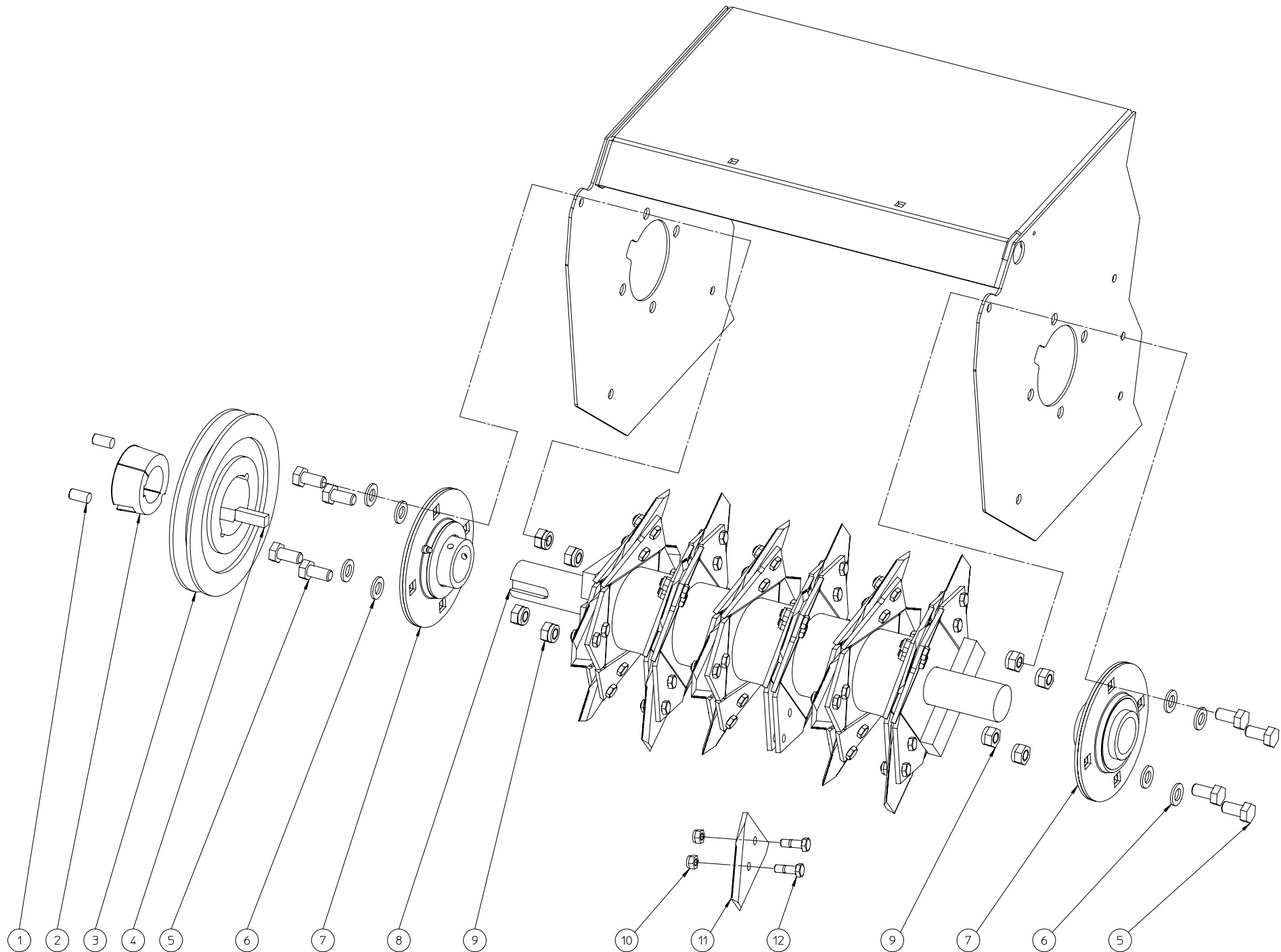
KLIPPO PRO K 1200

ASSEMBLY LIST 2

MACHINE RIGHT SIDE

MMA 01 070 121-1

ITEM	PART NUMBER	DESCRIPTION	QUANTITY
75	61 BB342064657	KEY 6.35X6.35X57 DIN 6880	1
76	61 BR600130201	ANTIVIBRATION BLOCKS 30X20B M8X20	1
77	61 BS747600812	THREAD INSERT TYPE 300	1
78	ENGINE	B&S VANGUARD TWIN	18hp
79	61 BT174150600	TERMINAL NUT 3/8"	1
80	61 BM261300400	DRAINING PIPE	1
81	61 BQ505010030	STICKER MAX 3200RPM 90X25	1
82	61 MPA01070340	ATTACHMENT DISK FOR ELASTIC COUPLING	1
83	61 MPA01070260	CONNECTING DISK FOR ELASTIC COUPLING	1
84	61 BS521100812	BOLT M8X12 DIN 912	1
85	61 BA201232000	ELASTIC COUPLING ALU FLANGE (ENGINE SIDE)	1
86	61 BA201240000	ELASTIC COUPLING RUBBER FLECTOR	1
87	61 BA201220101	ELASTIC COUPLING ALU FLANGE (PUMP SIDE)	1
88	61 MPA01070270	ROTATION SPEED REFERENCE	1
89	61 MPA01070300	ENGINE HOUSING REINFORCEMENT	1
90	61 BR600125301	ANTIVIBRATION BLOCK 25X30A M6X10	4
91	61 BS512000516	BOLT M5X16 DIN 933	3
92	61 BS533000500	LOCK WASHER M5 DIN 127	3
93	61 MPA01070290	PUMPSUPPORT	1
94	61 BR910000060	SENSOR ADAPTER	1
95	61 BS512001216	BOLT M12X16 DIN 933	2
96	61 BH809012100	SEAL 12 MM	2
97	61 MPA01070240	HYDRAULIC OIL FILTER ADAPTER	1
98	61 BH805006150	COPPER SEAL 6X10X1.5	1
99	61 BH280108000	HYDRAULIC OIL FILTER 1/2"	1
100	61 BT670109110	HOSE CLAMP	1
101	61 BR200207018	PETROL HOSE	1
102	61 BR900001240	RUBBER SPACER	1
103	61 BQ501060040	STICKER FUEL TANK	1
104	61 BH720301066	RUBBER SEAL FOR FUEL TANK D60	1
105	61 BH720101060	CAP FOR FUEL TANK B60	1
106	61 BQ505010050	SAFETY STICKER (PICTOGRAMS) 60X100	1
107	61 BQ505010150	SAFETY STICKER (KEEP DISTANCE) 60X100	1
108	61 BQ501060050	STICKER HYDRAULIC OIL TANK	1
109	61 MPA01070110	FUEL - HYDRAULIC OIL TANK	1
110	61 BH720301040	RUBBER SEAL HYDRAULIC OIL TANK D40	1
111	61 BH720101040	CAP FOR HYDRAULIC OIL TANK B40	1



ELIET SP2000 - ROTOR

NO	MMA-01.070.130	REV	1	DATE	2003/10/09
----	-----------------------	-----	---	------	------------

KLIPPO PARTS MANUAL

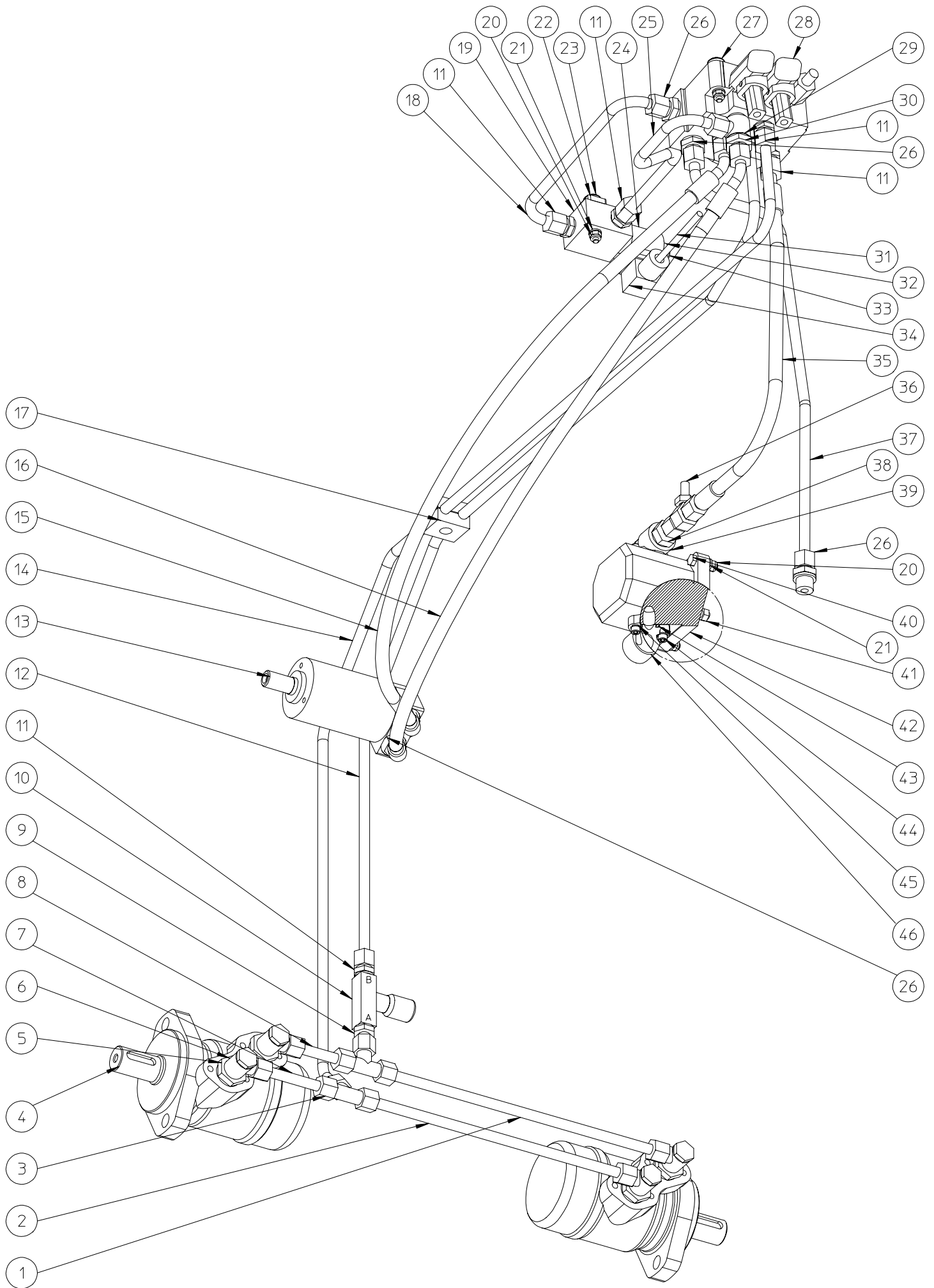
KLIPPO PRO K 1200

ASSEMBLY LIST 3

ROTOR

MMA 01 070 131-1

ITEM	PART NUMBER	DESCRIPTION	QUANTITY
1	61 BB501311220	SETSCREW 7/16"X7/8"	2
2	61 BB501154000	TAPERLOCK TL2012-40	1
3	61 BA563719001	PULLEY SPB 190 FOR TAPERLOCK TL2012	1
4	61 BB341121035	KEY 12X10X35 DIN 6880	1
5	61 BS512001225	BOLT M12X25 DIN 933	8
6	61 BS531001200	WASHER M12 DIN 125	8
7	61 BL801604001	FLANGE BEARING UCPF-208	2
8	61 MPA01070810	ROTOR	1
9	61 BS502001200	SELFLOCKING NUT M12 DIN 985	8
10	61 BS502000800	SELFLOCKING NUT M8 DIN 985	48
11	61 BU101300200	STANDARD STEEL KNIFE	24
12	61 BS011000827	BOLT M8X27 DIN931	48



EXPLODE SP2000 – HYDAULIQUE

NO	MMA-01.070.140	REV	1	DATE	2003/10/06
----	-----------------------	-----	---	------	------------

KLIPPO PARTS MANUAL

KLIPPO PRO K 1200

ASSEMBLY LIST 4

HYDRAULIC SYSTEM

MMA 01 070 141-1

ITEM	PART NUMBER	DESCRIPTION	QUANTITY
1	61 MPA01070530	HYDRAULIC PIPE 10X317	1
2	61 MPA01070520	HYDRAULIC PIPE 10X301	1
3	61 BH510011000	T-COUPLING 10 L	2
4	61 BH331410000	HYDRAULIC ENGINE 100CC	2
5	61 BH514100804	REDUCTION STUD MALE/FEMALLE 1/2-1/4	4
6	61 BH513111004	BANJO 10L X 1/4	4
7	61 MPA01070510	HYDRAULIC PIPE 10X87	1
8	61 MPA01070500	HYDRAULIC PIPE 10X71	1
9	61 BH512611004	REDUCER COUPLING 10 X 1/4	1
10	61 BH430110400	FLOW CONTROL VALVE	1
11	61 BH509211004	MALE STUD COUPLING 10L X 1/4	7
12	61 MPA01070450	HYDRAULIC PIPE (FORWARD DRIVE)	1
13	61 BH331203200	HYDRAULIC ENGINE 32CC	1
14	61 MPA01070460	HYDRAULIC PIPE (REVERSE DRIVE)	1
15	61 BH551040870	HYDRAULIC HOSE 1/4 X 870 13H	1
16	61 BH551040890	HYDRAULIC HOSE 1/4 X 895 12H	1
17	61 BH711020010	PIPE CLAMP	6
18	61 MPA01070490	RETURN)	1
19	61 BH410001100	ELECTRO MAGNETIC VALVE 1/4	1
20	61 BS502000600	SELFLOCKING NUT M6 DIN 985	7
21	61 BS531000600	WASHER M6 DIN 125	7
22	61 MPA01070350	SPACER	1
23	61 BS554100642	BOLT M6X50 DIN 603	1
24	61 BH410001300	SOLINOID 12 VDC	1
25	61 MPA01070470	HYDRAULIC PIPE (ELECTRO MAGNETIC VALVE INPUT)	1
26	61 BH509211006	MALE STUD COUPLING 10L X 3/8	5
27	61 BS554100641	BOLT M6X45 DIN 603	2
28	61 BH400006000	HYDRAULIC VALVE Y8	1
29	61 BH513011004	BANJO 10L X 1/4	1
30	61 BH509221018	MALE STUD COUPLING 10L X M18	1
31	61 BE092021701	WIRE	1
32	61 BN760120220	ALU NUT 1/4	1
33	61 BH410001200	ELECTRO MAGNETIC VALVE SLIDE 1/4	1
34	61 BH410001400	CONNECTOR	1
35	61 BH551040440	HYDRAULIC HOSE 1/4 X 445 (PUMP PRESSURE)	1
36	61 BH563000100	MANOMETER COUPLER 10L X M16X2	1
37	61 MPA01070480	HYDRAULIC HOSE (PUMP RETURN)	1

KLIPPO PARTS MANUAL

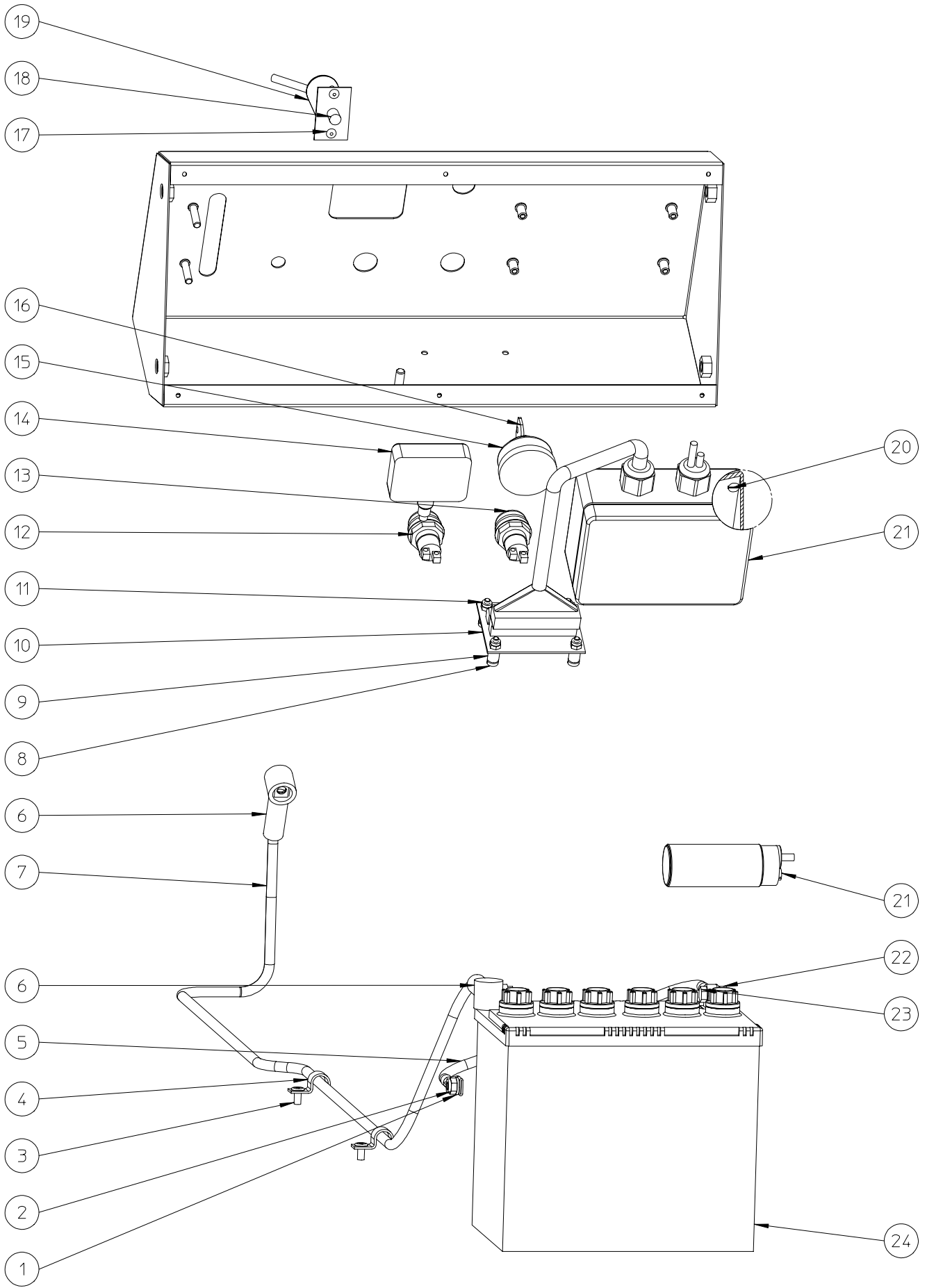
KLIPPO PRO K 1200

ASSEMBLY LIST 4

HYDRAULIC SYSTEM

MMA 01 070 141-1

ITEM	PART NUMBER	DESCRIPTION	QUANTITY
38	61 BH512631006	REDUCER COUPLING 10 X 3/8	1
39	61 BH281001100	ELBOW COUPLING 30MM 3/8	1
40	61 BS512000625	BOLT M6X25 DIN 933	4
41	61 BS501000700	NUT M7 DIN 934	1
42	61 BH210103100	HYDRAULIC PUMP 3.1CC	1
43	61 BH802015250	O-RING Ø25	2
44	61 BS512100420	BOLT M5X20 DIN 912	6
45	61 BS533000500	LOCKING WASHER M5 DIN 127	6
46	61 BH281001200	ELBOW COUPLING 30MM 1/2	1



EXPLODE SP2000 – ELECTRIQUE					
NO	MMA-01.070.150	REV	1	DATE	2003/10/06

KLIPPO PARTS MANUAL

KLIPPO PRO K 1200

ASSEMBLY LIST 5

ELECTRICAL SYSTEM

MMA 01 070 151-1

ITEM	PART NUMBER	DESCRIPTION	QUANTITY
1	61 BS 531 000 600	WASHER M6 DIN 125	1
2	61 BS 502 000 600	SELFLOCKING NUT M6 DIN 985	1
3	61 BB 221 005 100	STEEL PLUG 4.8 X 10 DIN 7337	2
4	61 BE 043 200 100	CABLE CLIP	2
5	61 BE 090 181 311	BATTERY CABLE- TO GROUND	1
6	61 BR 701 010 150	TERMINAL COVER	2
7	61 BE 090 281 031	BATTERY CABLE - TO SOLINOID	1
8	61 BS 541 000 420	BOLT M4X20 DIN 84	4
9	61 BR 111 041 000	NYLON WASHER 8X4X10	4
10	61 BE 700 011 000	CONNECTING TERMINAL PRINT	1
11	61 BS 502 000 400	SELFLOCKING NUT M4 DIN 985	4
12	61 BE 530 040 120	GREEN LIGHT	1
13	61 BE 530 030 120	RED LIGHT	1
14	61 BE 412 730 400	MAINTENANCE METER	1
15	61 BM 260 692 318	IGNITION SWITCH	1
16	61 BM 260 691 959	IGNITION KEY	1
17	61 BB 221 104 100	ALUMINIUM PLUG 3.9 X 10 DIN 7337	2
18	61 BE 120 110 500	SAFETY SWITCH	1
19	61 BR 020 622 045	PLASTIC COVER D:25X45	1
20	61 BS 541 000 410	BOLT M4X10 DIN 84	4
21	61 BE 700 010 000	ABM POWER CONTROL	1
22	61 BS 501 000 600	NUT M6 DIN 934	2
23	61 BS 512 000 620	BOLT M6X20 DIN 933	2
24	61 BE 240 120 240	BATTERY 12V 24AH	1