

OREC

ISSUED NO. HR662-1

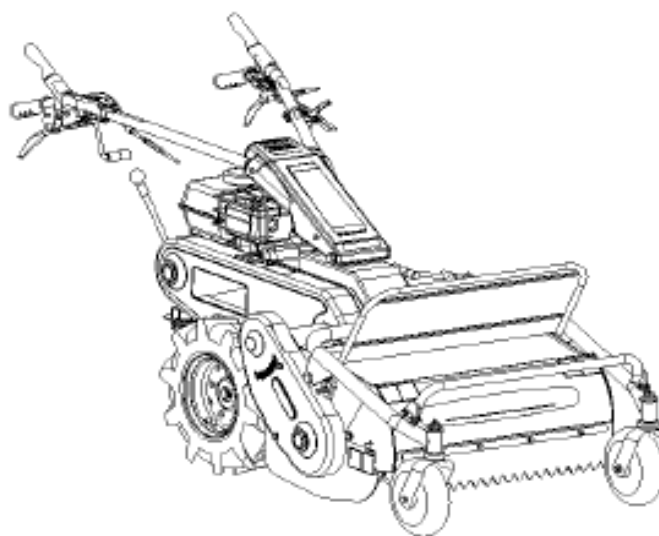
Parts catalogue

FLAIL MOWER

(EXPORT MODEL)

HR662/802

MODEL	CODE
HR662	0285-
HR802	0291-



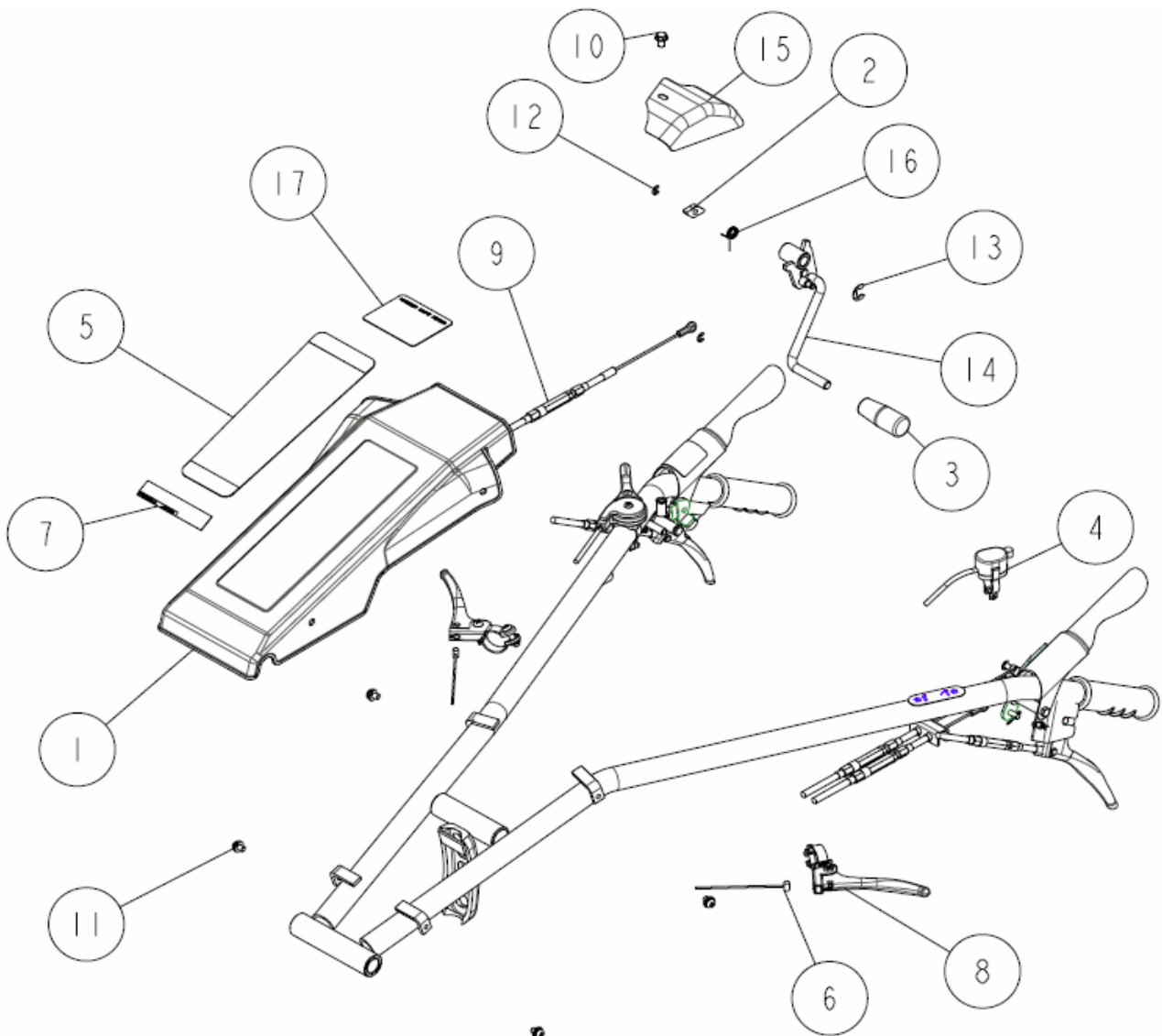
CONTENTS

HANDLE	1
FRAME	3
TRANSMISSION	9
ROTARY COVER	14
CRAWLER	19

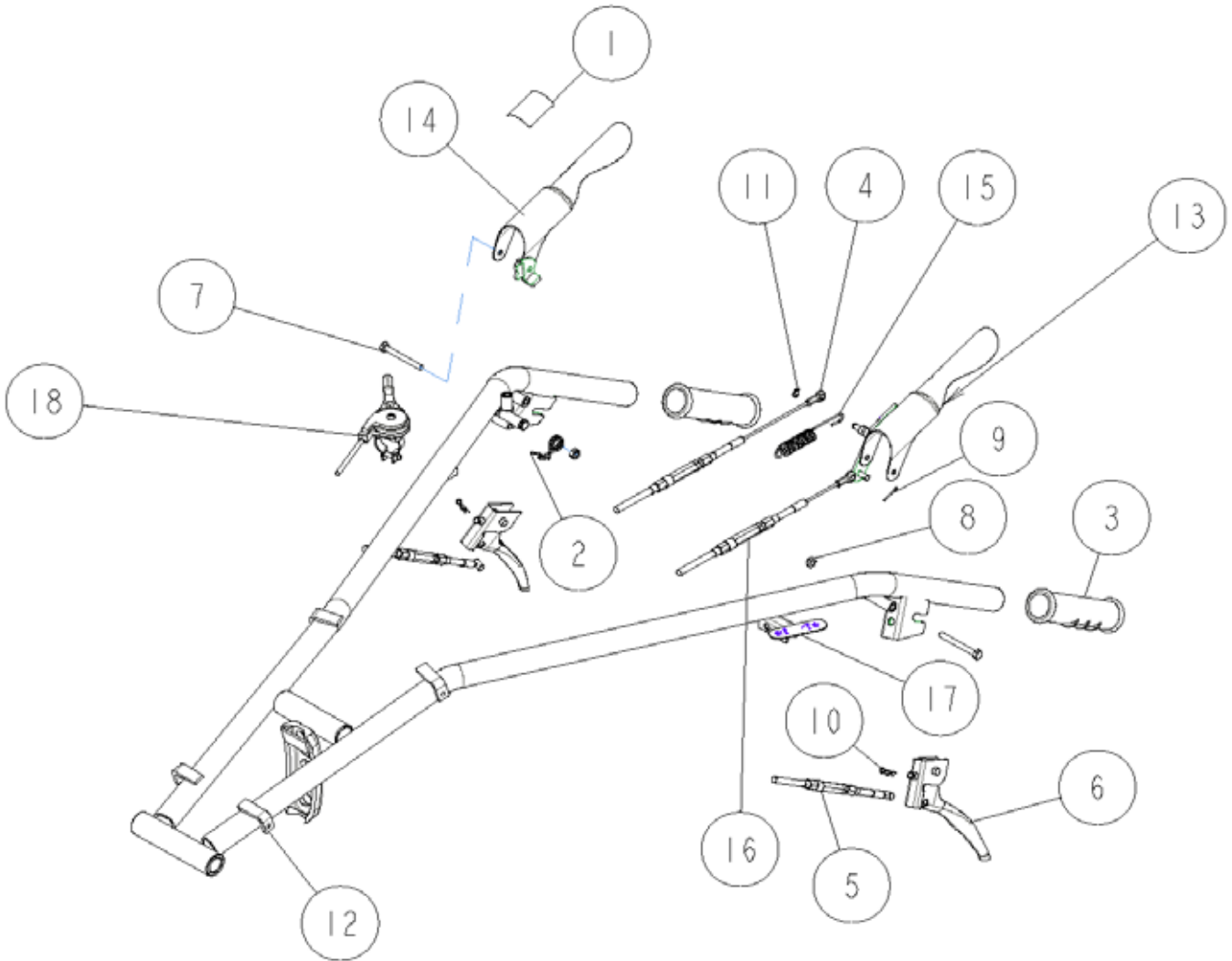
OREC CO.,LTD

Updated since November, 2010

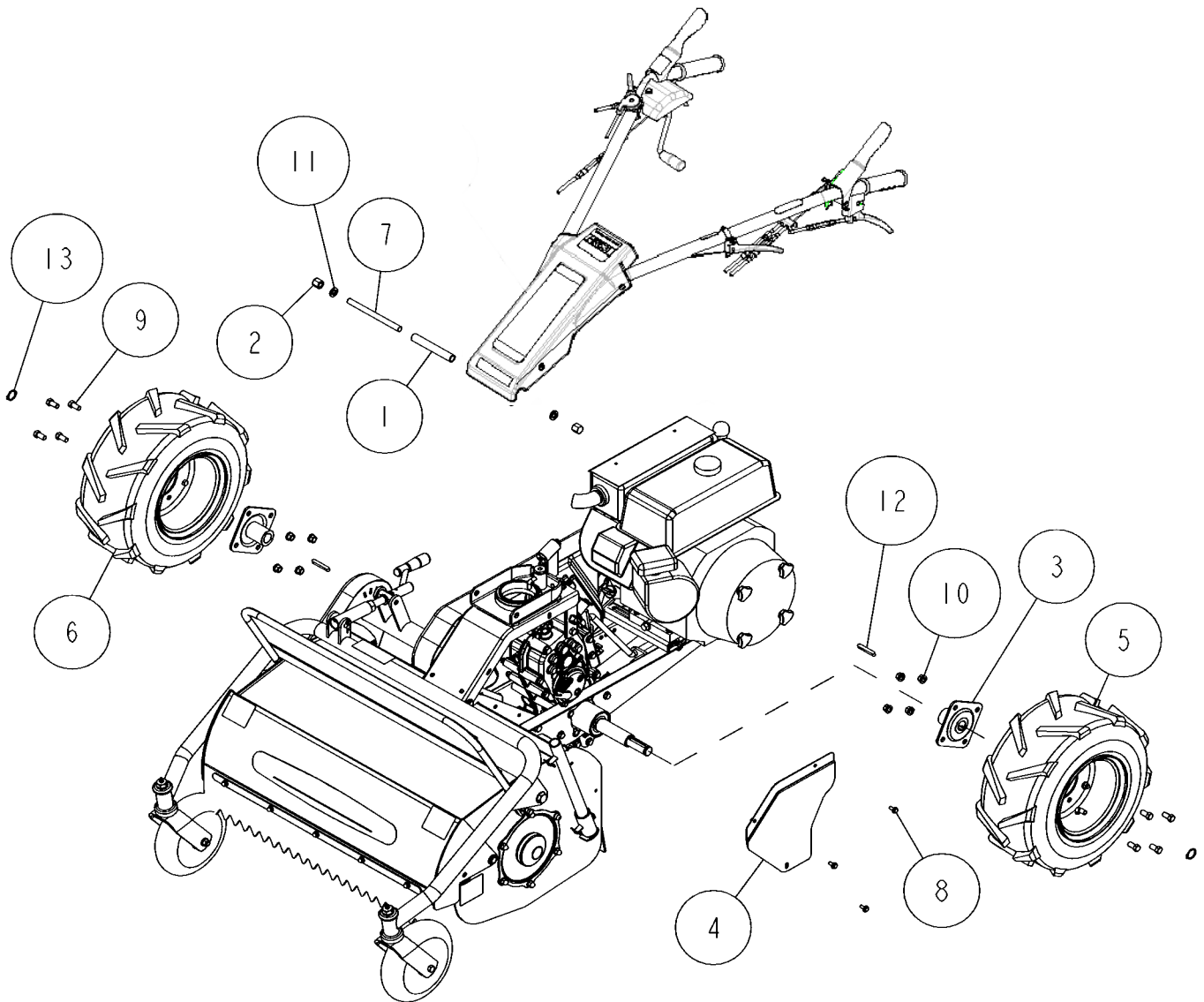
MEMO



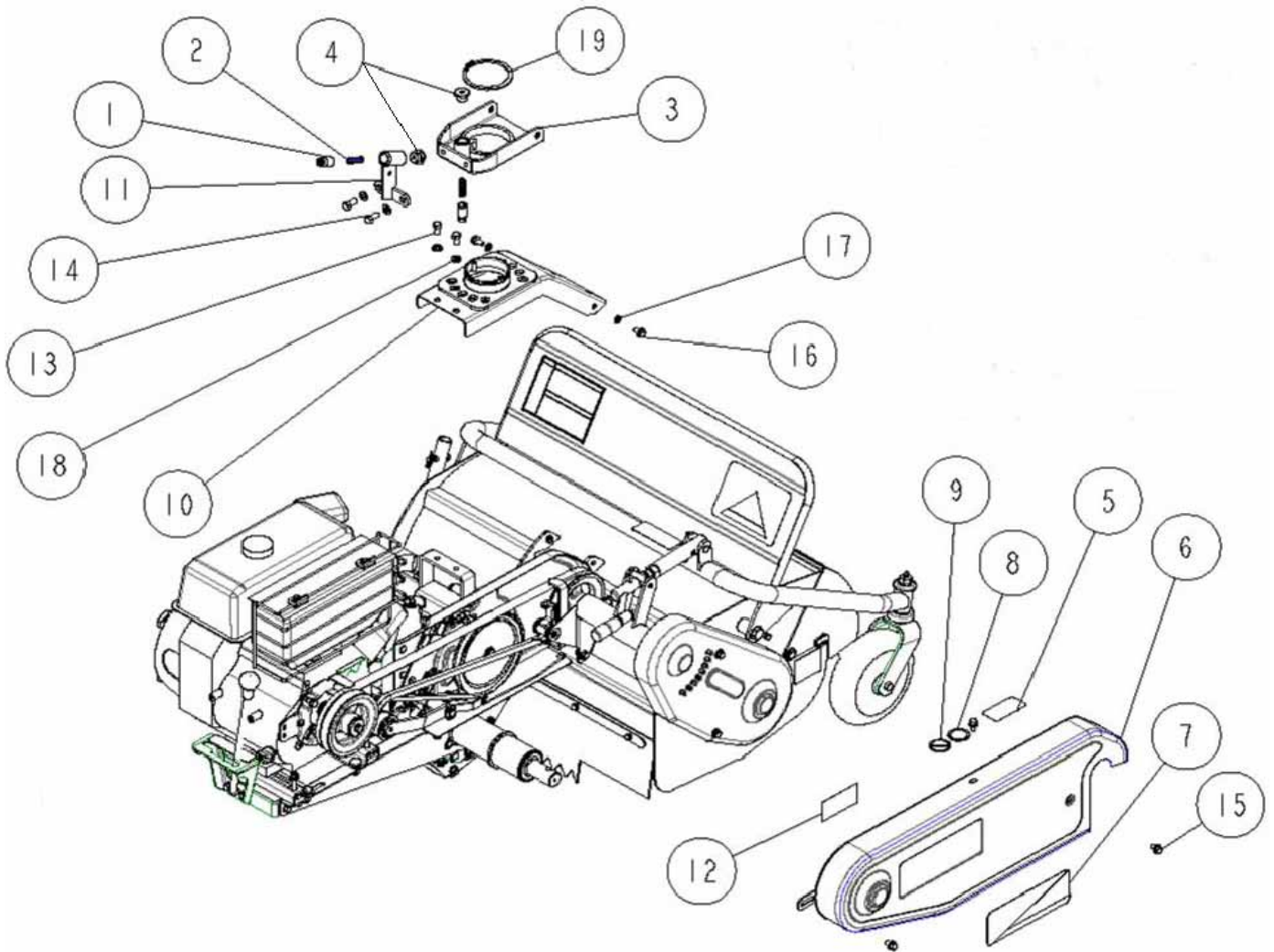
17	0285-70100	Label, Model HR662	1		
	0291-70100	Label, Model HR802		1	
16	0211-70410	Stopper Return Spring	1	1	
15	0211-20500	Upper Cover	1	1	
14	0211-20400	Blade Tension Lever	1	1	
13	89-2521-000100	E Type Ring 10	1	1	
12	89-2521-000050	E Type Ring 5	2	2	
11	89-1158-060102	Cross recess Headed Screw (PWSW) M6	4	4	
10	89-1137-060122	Hexagonal Bolt (PW) M6*12	1	1	
9	83-1614-932-00	Tension Wire	1	1	
8	83-1415-453-10	Lever 27-05-0822S	2	2	
7	83-1310-902-00	OREC Mark	1	1	
6	83-1110-965-10	Handle Up/Down, Right/Left Wire	2	2	
5	80-1614-904-00	Label, Bonnet	1	1	
4	80-1614-280-00	Switch Assy	1	1	
3	80-1417-255-00	Lever Grip (Red) 10	1	1	
2	80-1417-253-00	Stopper	1	1	
1	80-1415-223-00	Handle Bonnet	1	1	
Ref.	Parts Number	Parts Name	662	802	Remarks
			Quantity		



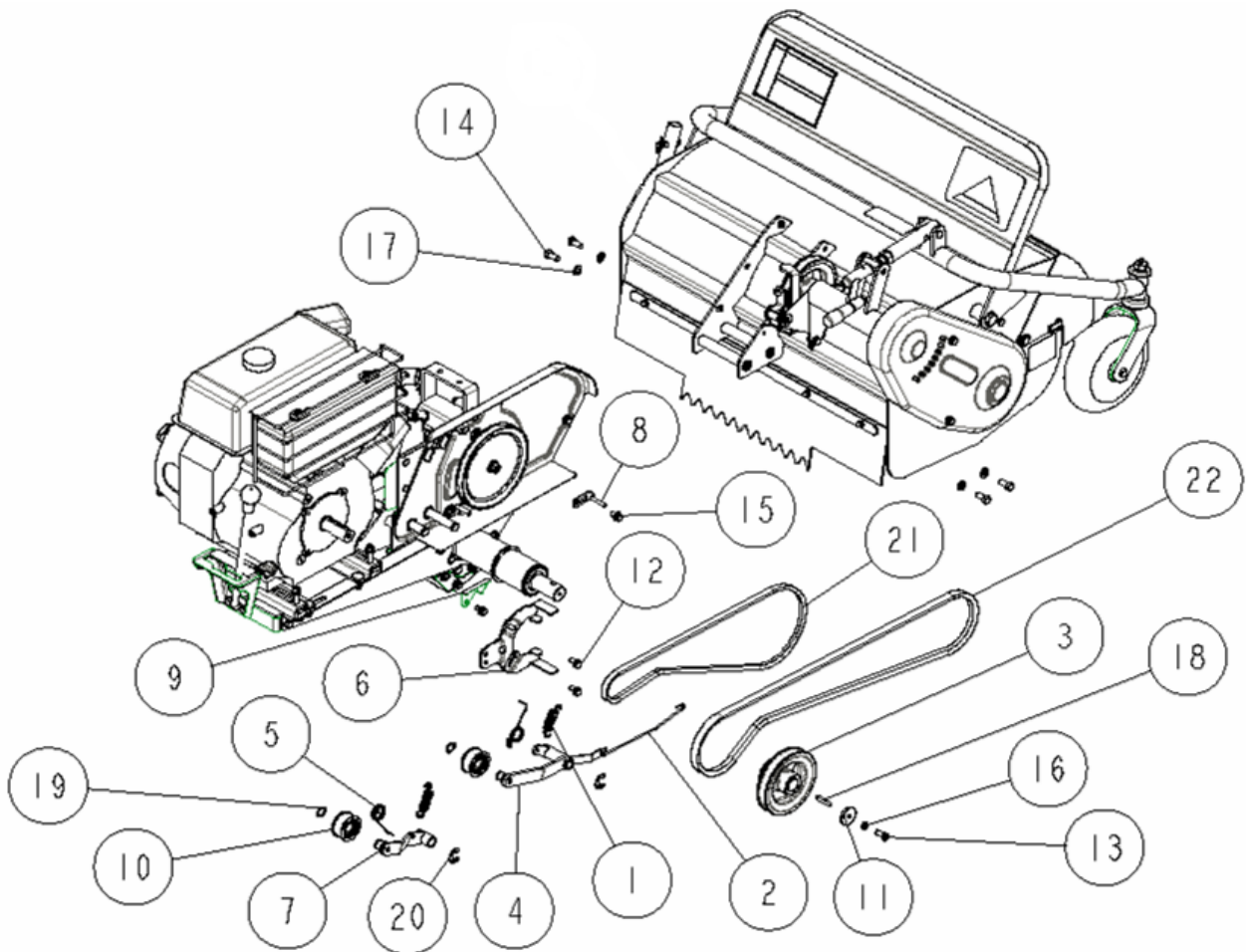
18	0226-70300	Throttle Wire Assy	1	1	
17	0211-70600	Label, Driving	1	1	
16	0211-70500	Brake Wire	1	1	
15	0211-20600	Brake Spring	1	1	
14	0211-20300	Blade Clutch Lever	1	1	
13	0211-20200	Driving Clutch Lever	1	1	
12	0211-20100	Handle CMP	1	1	
11	89-2521-000050	E Type Ring 5	1	1	
10	89-2131-060002	Snap Pin 6	2	2	
9	89-2120-200152	Split Pin 2*15	1	1	
8	89-1551-060002	Hexagonal U Nut M6	2	2	
7	89-1113-060552	Hexagonal Bolt (8T) M6*55	2	2	
6	83-1761-457-00	Side Clutch Lever	2	2	
5	83-1614-962-00	Side Clutch Wire	2	2	
4	83-1614-932-00	Tension Wire	1	1	
3	83-1560-414-00	Handle Grip 27	2	2	
2	80-1417-971-10	Blade Clutch Return Spring	1	1	
1	80-1417-918-10	Label, Cutting	1	1	
Ref.	Parts Number	Parts Name	662	802	Remarks
			Quantity		



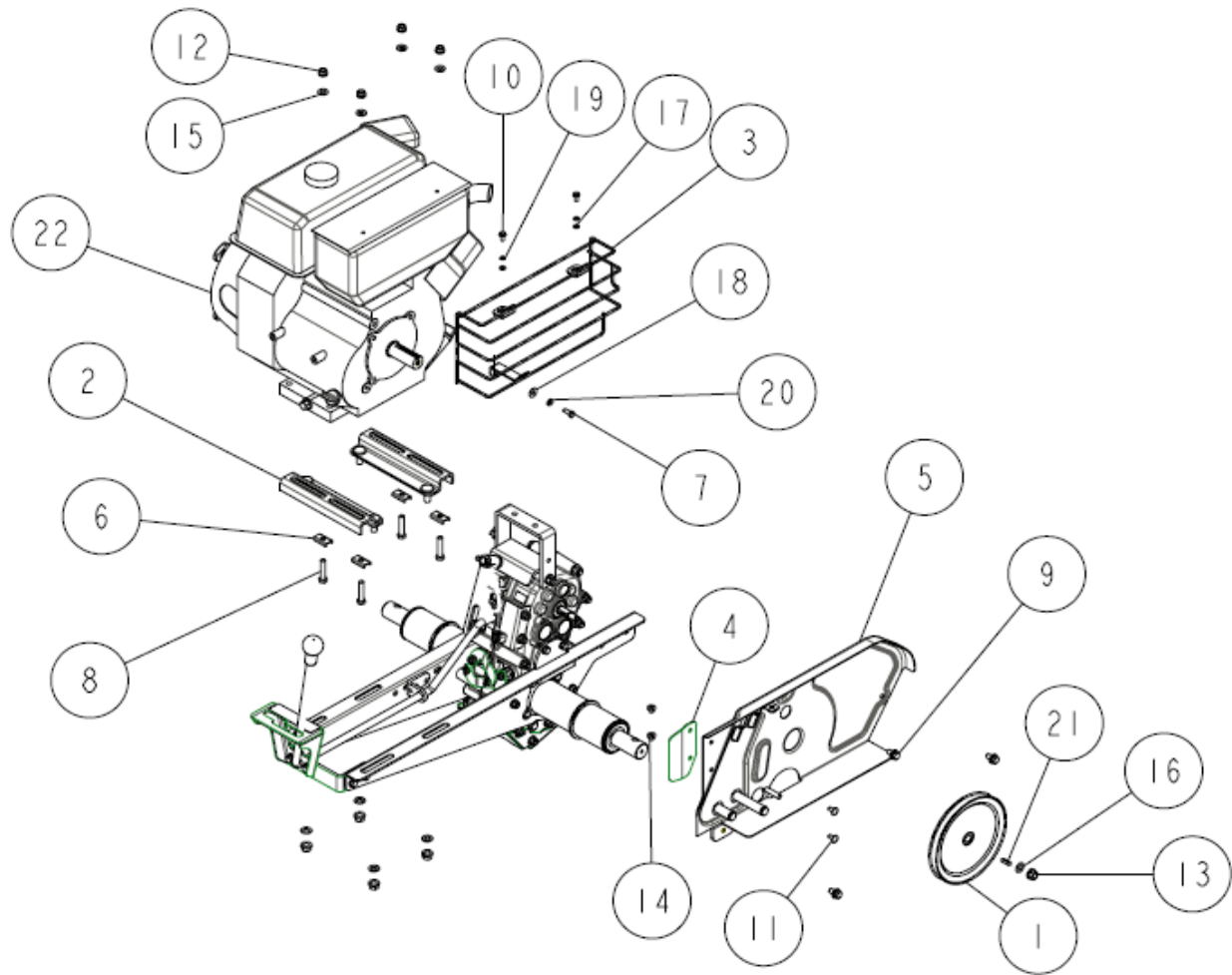
16	83-1712-923-00	Label, Oil Quantity 1.6 L	1	1	
15	80-1020-932-00	Label, Noise 100db	1	1	
14	80-1010-933-00	Label, CE	1	1	
13	89-2511-000220	Snap Ring (S22)	2	2	
12	89-2150-070500	Key 7*50 (round)	2	2	
11	89-1750-120002	Spring Washer 12	2	2	
10	89-1543-100002	Mini Hexagonal Nut (SW) M10	8	8	
9	89-1211-100202	Mini Hexagonal Bolt M10*20	8	8	
8	89-1137-060152	Hexagonal Bolt (PW) M6*15	3	3	
7	83-1210-133-00	Setting Bolt M12*160	1	1	
6	80-1751-412-00	Tire (R) Assy (16*7.00-8)	1	1	
5	80-1751-411-00	Tire (L) Assy (16*7.00-8)	1	1	
4	80-1614-746-10	Side Cover	1	1	
3	80-1565-413-10	Wheel Boss	2	2	
2	80-1310-228-00	Handle Fix Nut	2	2	
1	80-1210-222-00	Handle Setting Collar	1	1	
Ref.	Parts Number	Parts Name	Quantity		Remarks
			662	802	



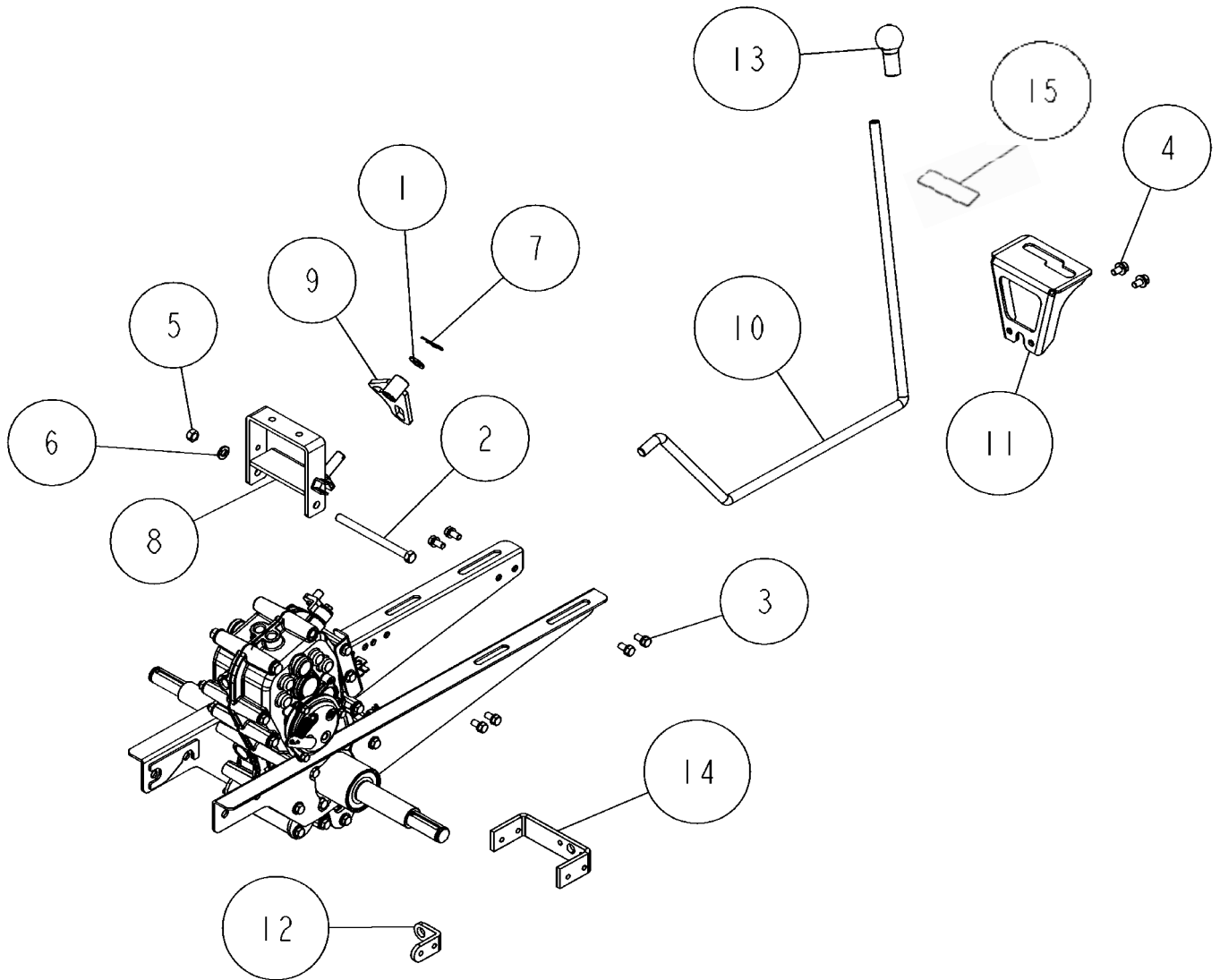
19	89-2511-000850	Snap Ring (S85)	1	1	
18	89-1750-100002	Spring Washer 10	4	4	
17	89-1750-080002	Spring Washer 8	2	2	
16	89-1253-080162	Flange Mini Hexagonal Bolt (8T) M8*16	2	2	
15	89-1233-080162	Mini Hexagonal Bolt (PWSW) M8*16	3	3	
14	89-1211-100202	Mini Hexagonal Bolt M10*20	2	2	
13	89-1211-100162	Mini Hexagonal Bolt M10*16	2	2	
12	83-1614-920-10	Label, Belt Size	1	1	
11	80-1330-214-10	Stopper for Handle Up/Down	1	1	
10	80-1614-732-20	Under Bonnet CMP	1	1	
9	0223-72910	Attention Mark for Slope	1	1	
8	0215-83200	Label, Protection Equipment	1	1	
7	80-1614-905-00	Label, Belt Case	1	1	
6	80-1614-504-20	Belt Cover CMP	1	1	
5	80-1488-928-10	Label, Caution for Belt Involving	1	1	
4	80-1310-215-00	Stopper Cap	2	2	
3	80-1310-203-00	Turntable for Handle	1	1	
2	80-1210-217-00	Stopper Spring	2	2	
1	80-1210-216-00	Stopper Pin	2	2	
Ref.	Parts Number	Parts Name	662	802	Remarks
			Quantity		



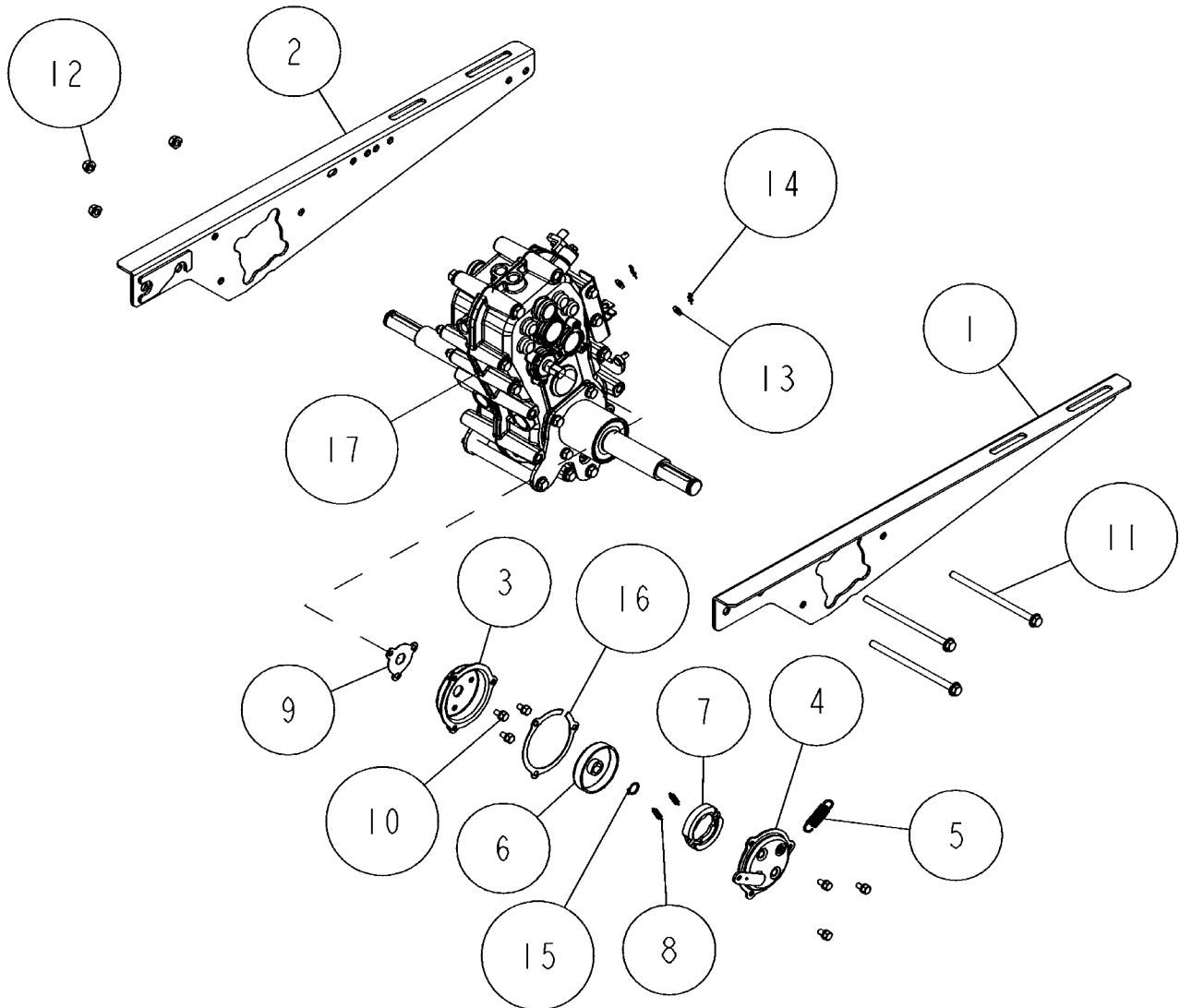
22	89-6123-006201	V Belt SBR-62	1		
	89-6123-006202	V Belt SB-62 (W800)		1	
21	89-6122-004601	V Belt SAR-46	1		
	89-6122-004602	V Belt SA-46 (W800)		1	
20	89-2521-000150	E Type Ring 15	2	2	
19	89-2511-000170	Snap Ring (S17)	2	2	
18	89-2151-070300	Key 7*30 (half round)	1	1	
17	89-1750-100002	Spring Washer 10	4	4	
16	89-1750-080002	Spring Washer 8	1	1	
15	89-1233-080162	Mini Hexagonal Bolt (PWSW) M8*16	2	2	
14	89-1213-100202	Mini Hexagonal Bolt (8T) M10*20	4	4	
13	89-1253-080202	Flange Mini Hexagonal Bolt (8T) M8*20	1	1	
12	89-1132-080162	Hexagonal Bolt (SW) M8*16	2	2	
11	83-1565-315-00	Washer 8*36*4.5	1	1	
10	83-1032-760-00	Tension Pulley Assy	2	2	
9	0285-52100	Supplementary Cover, Kawasaki Engine	1	1	
8	0225-40600	Belt Holder	1	1	
7	0211-54200	Driving Tension Arm	1	1	
6	80-1614-561-20	Belt Holder	1	1	
5	80-1614-552-00	Tension Spring	2	2	
4	80-1614-546-10	Knife Tension Arm	1	1	
3	80-1614-514-20	Engine Pulley 132	1	1	
2	80-1614-374-30	Brake Rod	1	1	
1	80-1560-551-00	Return Spring	2	2	
Ref.	Parts Number	Parts Name	662 Quantity	802 Quantity	Remarks



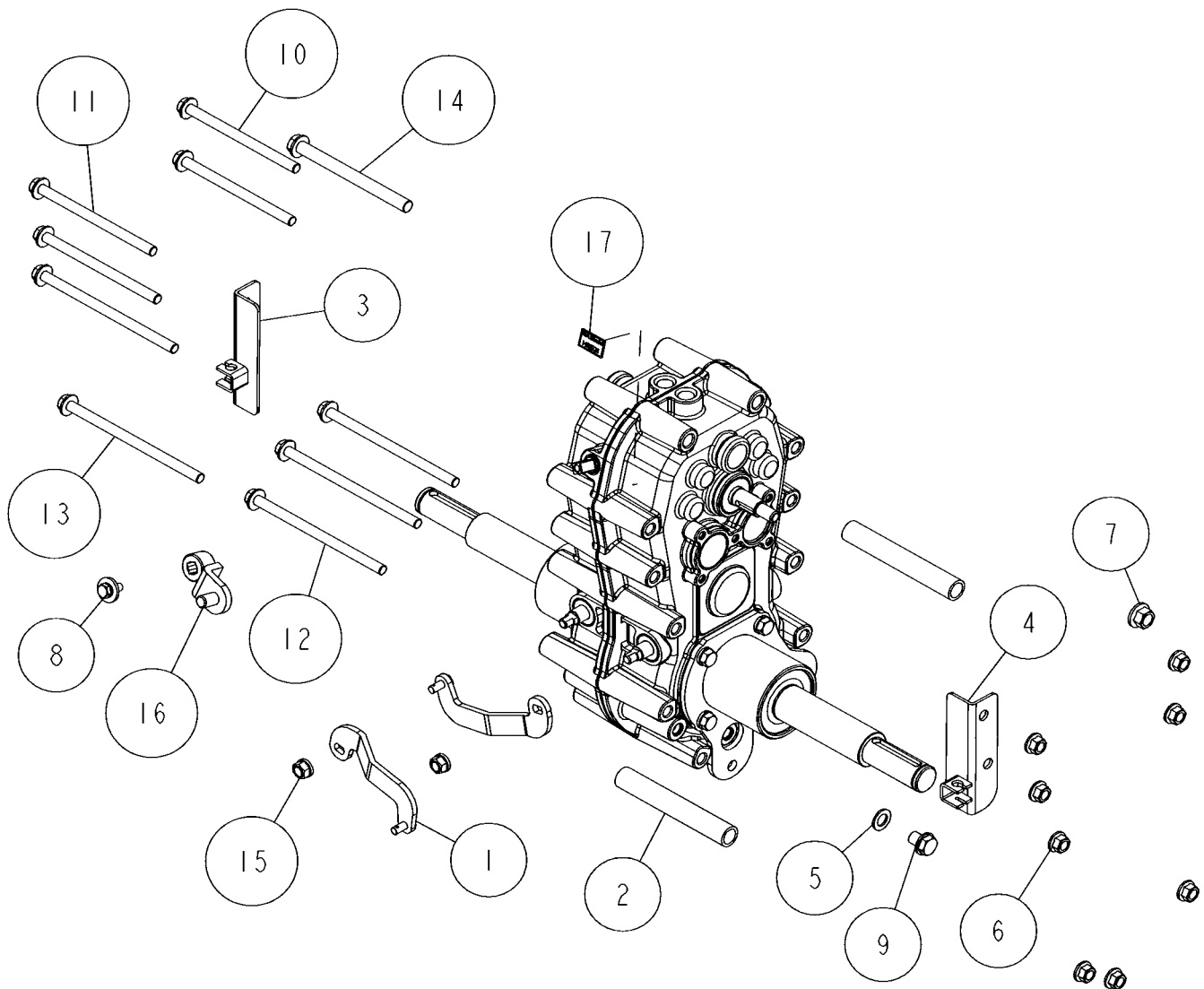
22	9002-0111	FE250D CG81(OIL)	1		
	9003-0110	FE290D CG80		1	
21	89-2150-050200	Key 5*20 (round)	1	1	
20	89-1750-060002	Spring Washer 6	1	1	
19	89-1750-050003	Spring Washer 5	2	2	
18	89-1713-060002	Flat Washer 6 (large)	1	1	
17	89-1712-050003	Flat Washer 5	2	2	
16	89-1711-100002	Flat Washer 10	5	5	
15	89-1711-080002	Flat Washer 8	4	4	
14	89-1581-060042	Flange Cap Nut M6	2	2	
13	89-1543-100002	Mini Hexagonal Nut (SW) M10	5	5	
12	89-1543-080002	Mini Hexagonal Nut (SW) M8	4	4	
11	89-1390-060122	Welded Bolt M6*12	2	2	
10	89-1251-050123	Flange Hexagonal Bolt M5*12	2	2	
9	89-1233-080162	Mini Hexagonal Bolt (PWSW) M8*16	3	3	
8	89-1213-080402	Mini Hexagonal Bolt (8T) M8*40	4	4	
7	89-1111-060162	Hexagonal Bolt M6*16	1	1	
6	83-1310-387-00	Wire-Stop Plate A8(80-1210-318-00)	4	4	
5	0211-50100	Belt Cover Inside CMP	1	1	
4	0285-52300	Supplementary Cover, inside(,Kawasaki)	1	1	
3	0223-60700	Muffler Guard CMP	1	1	
2	0211-30300	Engine Fitting Plate with Bolt (M)	2	2	
1	80-1614-521-00	Transmission Pulley	1	1	
Ref.	Parts Number	Parts Name	662	802	Remarks
			Quantity		



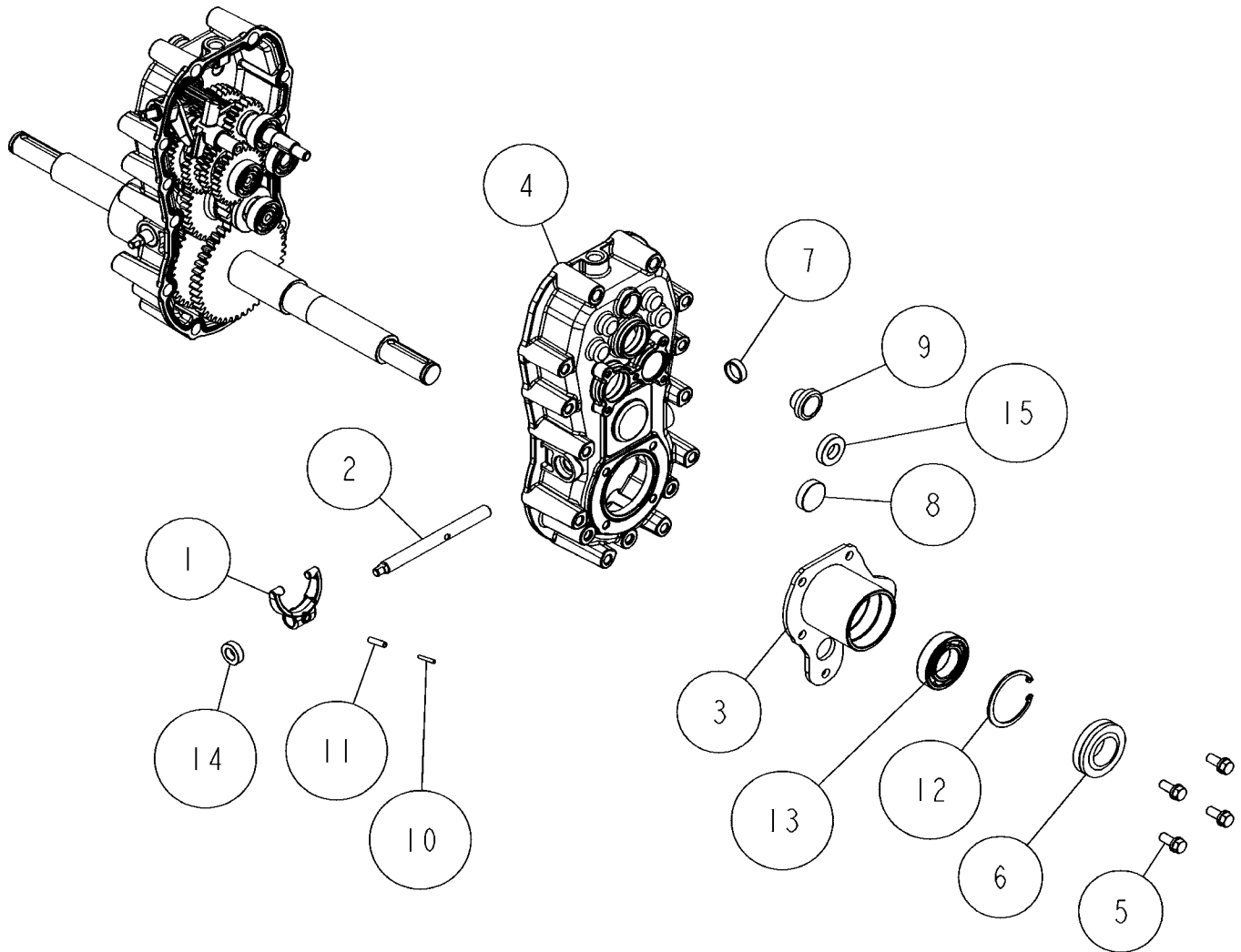
15	0251-70400	Label, Change	1	1	
14	0256-20510	Rear Bracket	1	1	
13	0253-79100	Lever Grip 12.7	1	1	
12	0253-22500	Change Rod Setting	1	1	
11	0253-22410	Change Guide CMP	1	1	
10	0253-16100	Change Lever CMP	1	1	
9	0251-11600	Change Lever Arm CMP	1	1	
8	0251-11300	Change Plate	1	1	
7	89-2131-120002	Snap Pin 12	1	1	
6	89-1750-100002	Spring Washer 10	1	1	
5	89-1611-100042	Mini Hexagonal Nut M10	1	1	
4	89-1233-080162	Mini Hexagonal Bolt (PWSW) M8*16	2	2	
3	89-1232-080162	Mini Hexagonal Bolt (SW) M8*16	6	6	
2	89-1213-101302	Mini Hexagonal Bolt (8T) M10*130	1	1	
1	83-1565-329-00	Washer 13*22*2.3	1	1	
Ref.	Parts Number	Parts Name	Quantity		Remarks
			662	802	



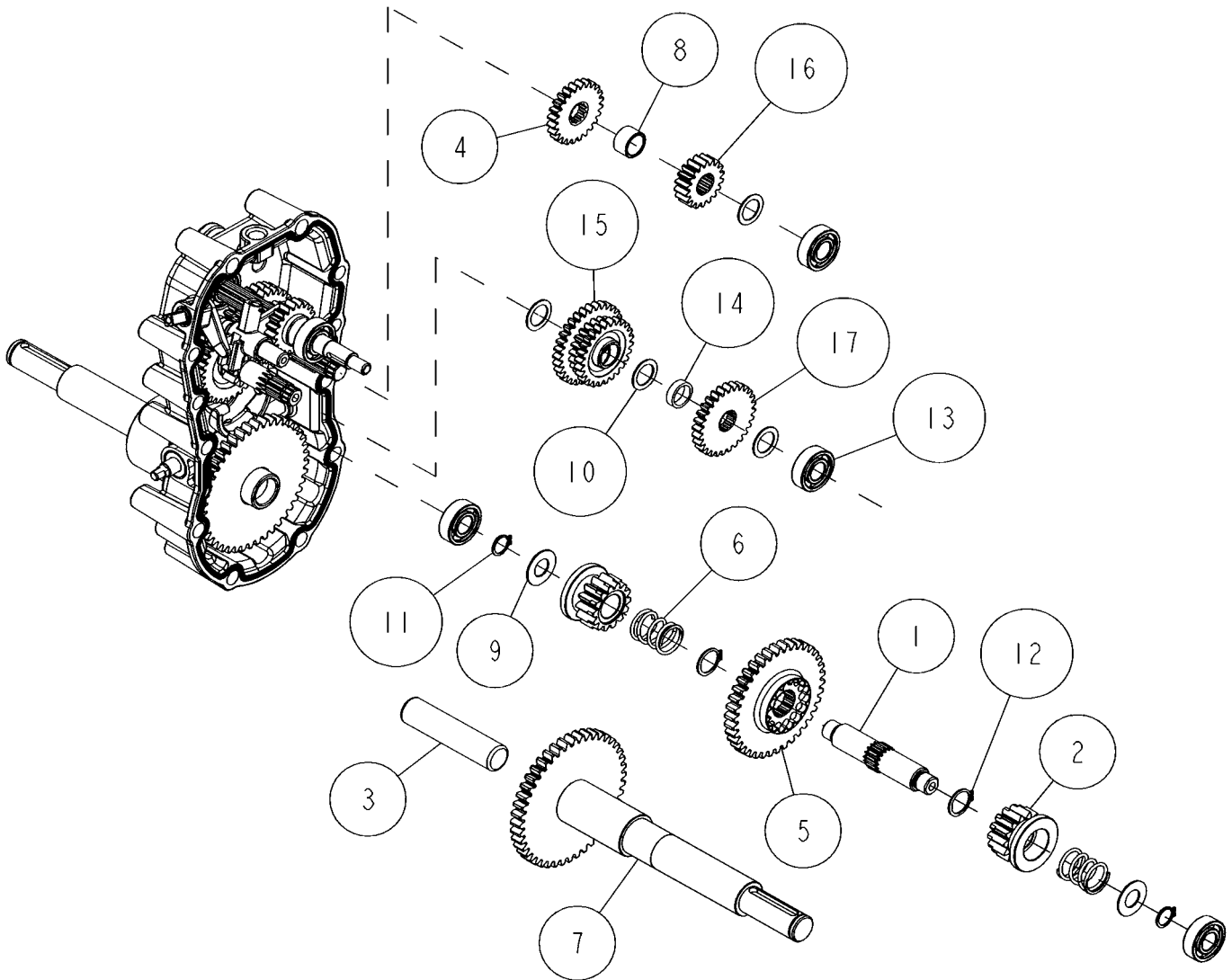
17	0285-09000	Transmission Assy HR662	1		
	0291-09000	Transmission Assy HR802		1	
16	0211-31800	Brake Packing (Large)	1	1	
15	89-2511-000140	Snap Ring (S14)	1	1	
14	89-2132-060002	Snap Pin 6 (with stopper)	2	2	
13	89-1711-060002	Flat Washer 6	2	2	
12	89-1543-080002	Mini Hexagonal Nut (SW) M8	3	3	
11	89-1253-081453	Flange Mini Hexagonal Bolt (8T) M8*145	3	3	
10	89-1132-060122	Hexagonal Bolt (SW) M6*12	6	6	
9	85-1445-317-00	Brake Packing (Small)	1	1	
8	85-1711-317-00	Shoe Return Spring	2	2	
7	85-1711-318-00	Brake Shoe Set	1	1	
6	85-1711-315-00	Brake Drum	1	1	
5	80-1614-315-00	Return Spring	1	1	
4	80-1614-314-00	Brake Cover	1	1	
3	80-1614-312-00	Brake Cover CMP	1	1	
2	80-1614-302-20	Main Frame (R) CMP	1	1	
1	80-1614-301-20	Main Frame (L) CMP	1	1	
Ref.	Parts Number	Parts Name	Quantity		Remarks
			662	802	



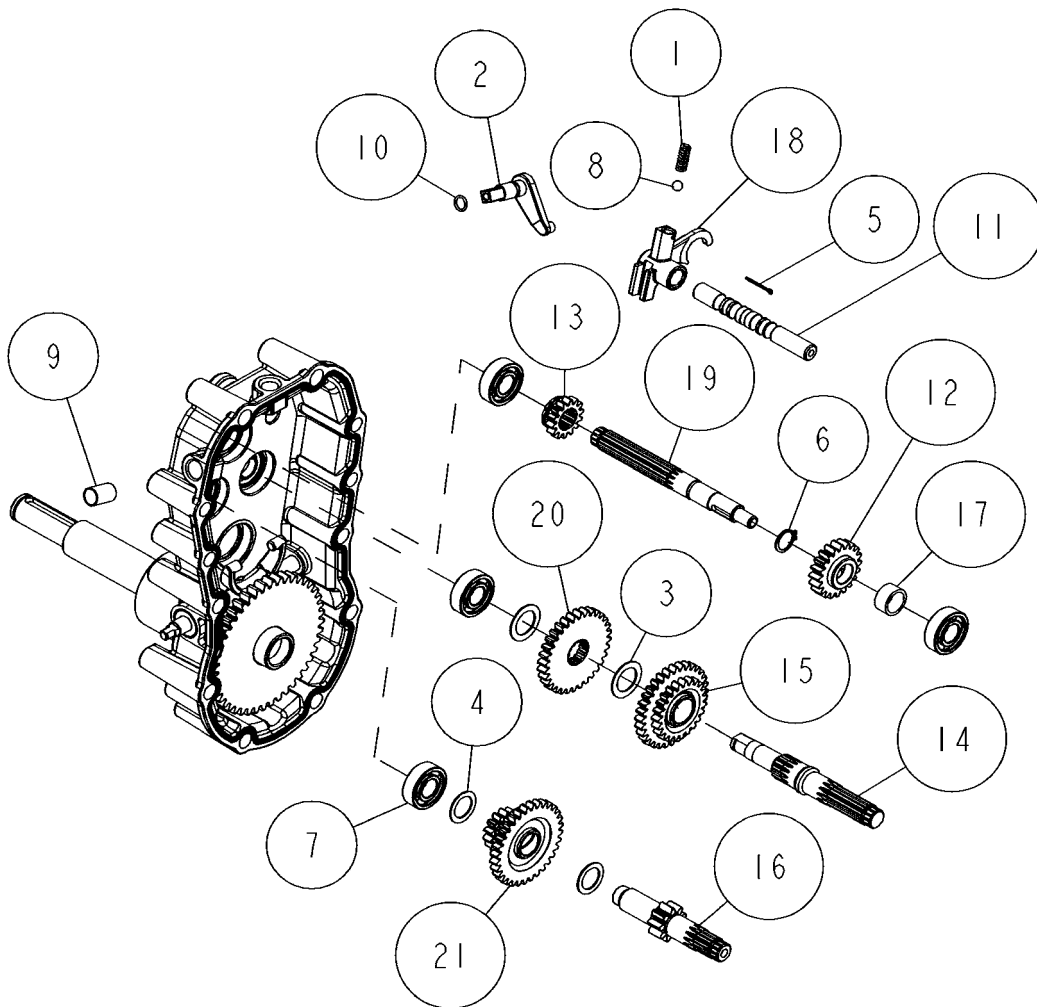
17	0285-70200	Label, Transmission HR662	1		
	0291-70200	Label, Transmission HR802		1	
16	0251-04300	Change Arm CMP	1	1	
15	89-1543-080002	Mini Hexagonal Nut (SW) M8	2	2	
14	89-1254-101153	Flange Mini Hexagonal Bolt M10*115 P=	1	1	
13	89-1253-081403	Flange Mini Hexagonal Bolt (8T) M8*140	3	3	
12	89-1253-081353	Flange Mini Hexagonal Bolt (8T) M8*135	2	2	
11	89-1253-081203	Flange Mini Hexagonal Bolt (8T) M8*120	2	2	
10	89-1253-081153	Flange Mini Hexagonal Bolt (8T) M8*115	2	2	
9	89-1251-100122	Flange Mini Hexagonal Bolt M10*12	1	1	
8	83-1565-111-00	Hexagonal Bolt (with Big Washer) M6*16	1	1	
7	83-1493-255-00	Flange Lock Nut M10 (slender)	1	1	
6	83-1484-255-00	Lock Nut ZUF M8	9	9	
5	83-1020-349-00	Copper Packing 10.5*18*1.6	1	1	
4	80-1614-198-10	Side Clutch Wire Stopper (R)	1	1	
3	80-1565-197-00	Side Clutch Wire Stopper (L)	1	1	
2	80-1565-159-00	Shaft BB Reinforce Pipe	2	2	
1	80-1565-153-00	Side Clutch Arm	2	2	
Ref.	Parts Number	Parts Name	Quantity		Remarks
			662	802	



15	89-5121-153007	Oil Seal UE 15.30.7	1	1	
14	89-5121-122207	Oil Seal UE 12.22.7	1	1	
13	89-3111-060064	Bearing 6006	1	1	
12	89-2512-000550	Snap Ring (R55)	1	1	
11	89-2111-050020	Spring Pin 5*20	1	1	
10	89-2111-030020	Spring Pin 3*20	1	1	
9	83-1517-685-00	Oil Cap 20	1	1	
8	83-1415-672-00	Blind Cover 30	1	1	
7	83-1415-671-00	Blind Cover 22	1	1	
6	83-1415-662-00	Oil Seal AP 35.55.8	1	1	
5	83-1415-127-00	Seal Bolt (SW) M8*20	4	4	
4	80-1614-103-00	Transmission Case (R)	1	1	
3	80-1565-156-00	Shaft BB Case (R)	1	1	
2	80-1425-112-00	Driving Clutch Fork Shaft	1	1	
1	80-1415-114-00	Side Clutch Fork	1	1	
Ref.	Parts Number	Parts Name	Quantity		Remarks
			662	802	

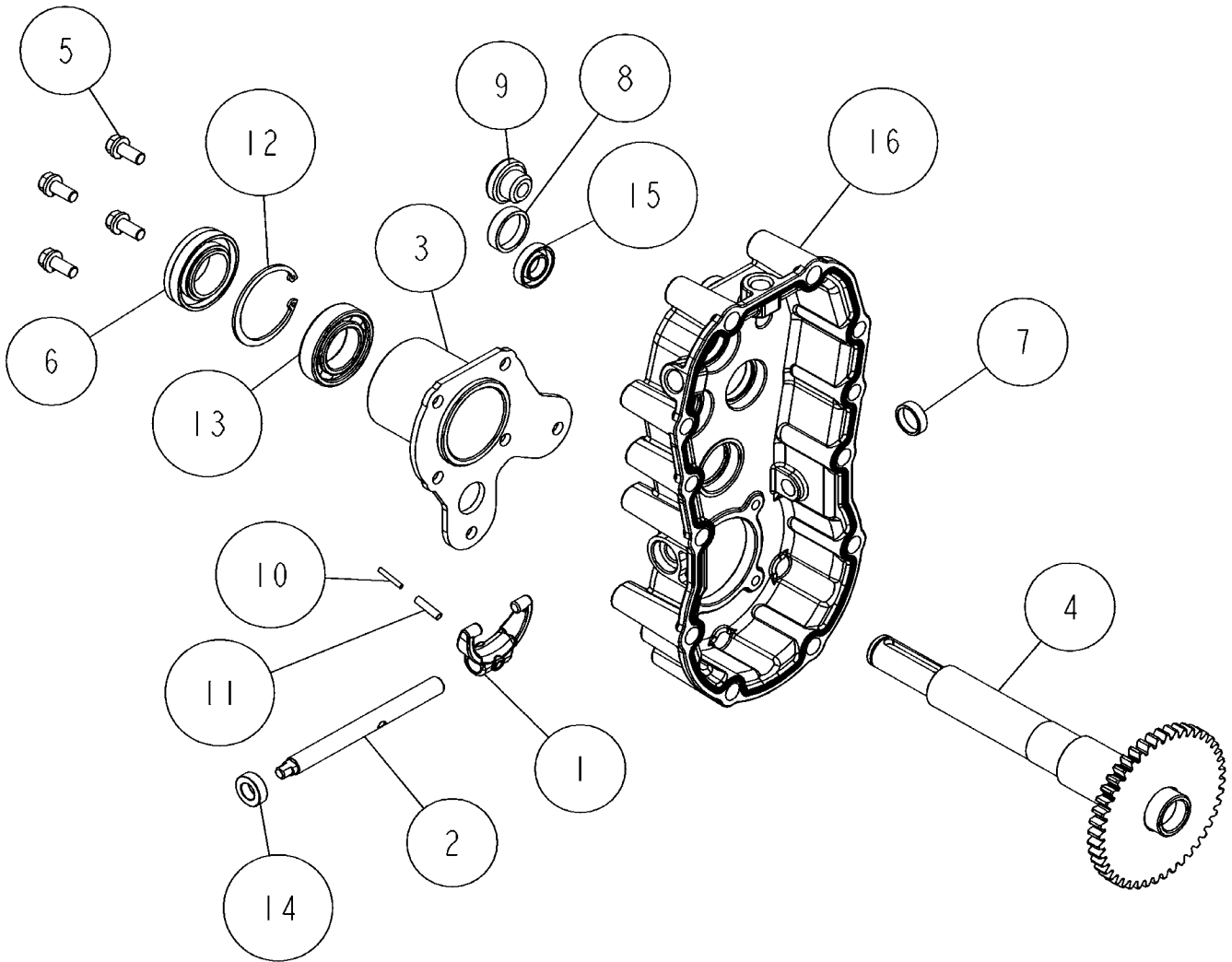


17	0282-00600	3rd Shaft Gear 28T	1	1	
16	0282-00500	2nd Shaft Gear 18T	1	1	
15	0251-01610	3rd Shaft Gear 22T	1	1	
14	0223-02500	Collar 6L	1	1	
13	89-3111-062024	Bearing 6202	4	4	
12	89-2511-000200	Snap Ring (S20)	2	2	
11	89-2511-000150	Snap Ring (S15)	2	2	
10	83-1830-368-00	Thrust Washer 18*26*1.0	4	4	
9	83-1633-362-10	Thrust Washer 15*30*1.2	2	2	
8	80-1920-130-00	Collar A	1	1	
7	80-1614-146-10	Axle CMP	1		
	0204-00100	Axle CMP		1	
6	80-1575-162-00	Side Clutch Spring	2	2	
5	80-1575-142-00	Side Clutch Gear 38T	1	1	
4	80-1575-129-10	2nd Shaft Gear 24T	1	1	
3	80-1310-150-10	Shaft Pin	1	1	
2	80-1032-141-00	Side Clutch Gear 14T	2	2	
1	80-1032-140-00	Side Clutch Shaft	1	1	
Ref.	Parts Number	Parts Name	Quantity		Remarks
			662	802	

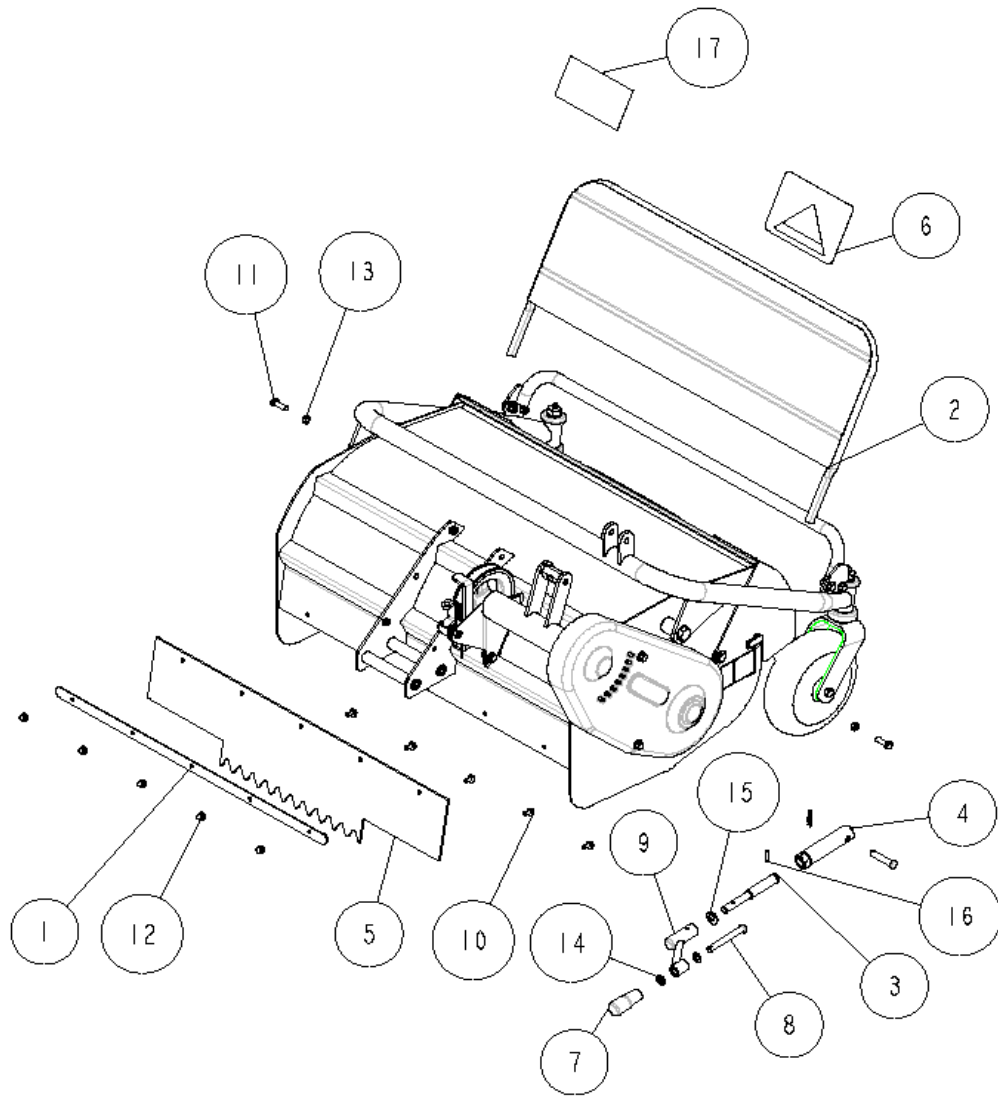


21	0251-02100	3rd Shaft Gear 14T CMP	1	1	
20	0251-01300	2nd Shaft Gear 32T	1	1	
19	0251-01100	Trasmission 1st Shaft	1	1	
18	0251-00300	Shift Folk	1	1	
17	0223-02400	Collar 11L	1	1	
16	0223-01400	3rd Shaft	1	1	
15	0223-01200	Back Gear CMP	1	1	
14	0223-00800	2nd Shaft	1	1	
13	0223-00700	1st Shaft Shift Gear 14T	1	1	
12	0223-00600	1st Shaft Gear 20T	1	1	
11	0223-00400	Shift Fork Shaft	1	1	
10	89-5221-009000	O Ring P9	1	1	
9	89-3510-012200	DU Bush 12.20	1	1	
8	89-3410-075000	Steel Ball 7.5	1	1	
7	89-3111-062024	Bearing 6202	4	4	
6	89-2511-000160	Snap Ring (S16)	1	1	
5	89-2120-200202	Split Pin 2*20	1	1	
4	83-1830-368-00	Thrust Washer 18*26*1.0	2	2	
3	83-1310-371-00	Thrust Washer 20*30*1.0	2	2	
2	80-1575-109-00	Swing Arm	1	1	
1	0282-00400	Spring	1	1	
Ref.	Parts Number	Parts Name	Quantity		Remarks
			662	802	

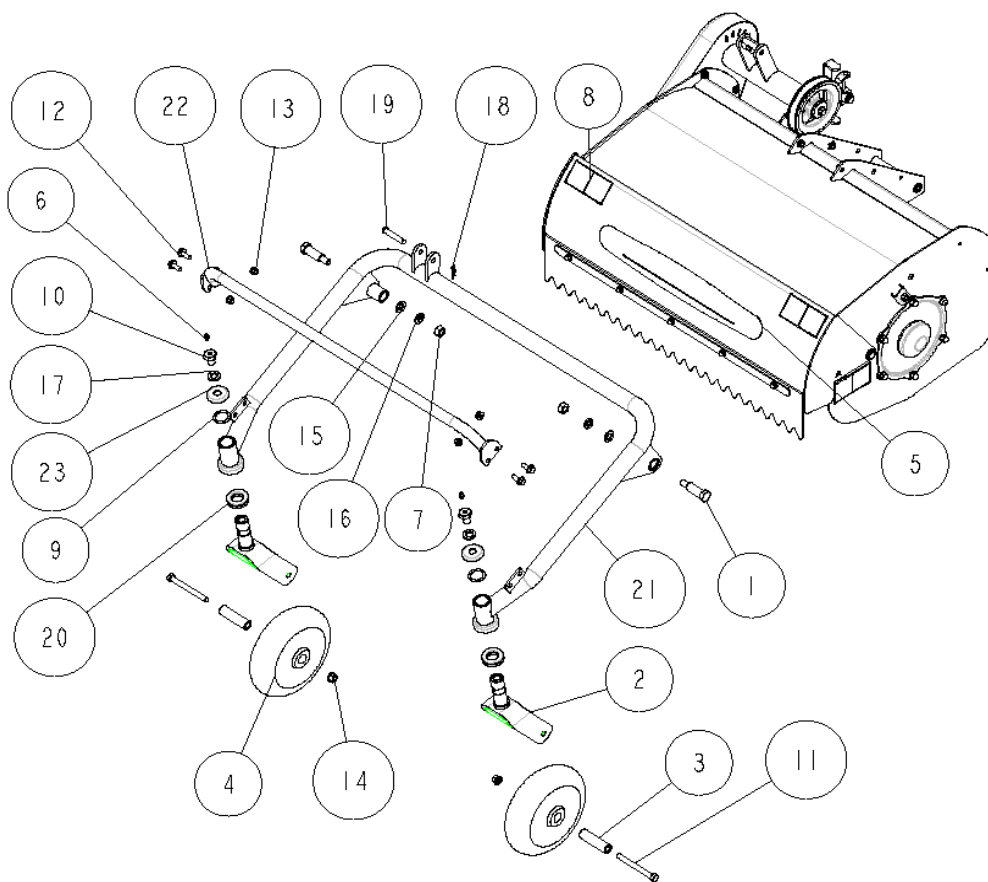
13/18 Transmission 5/5



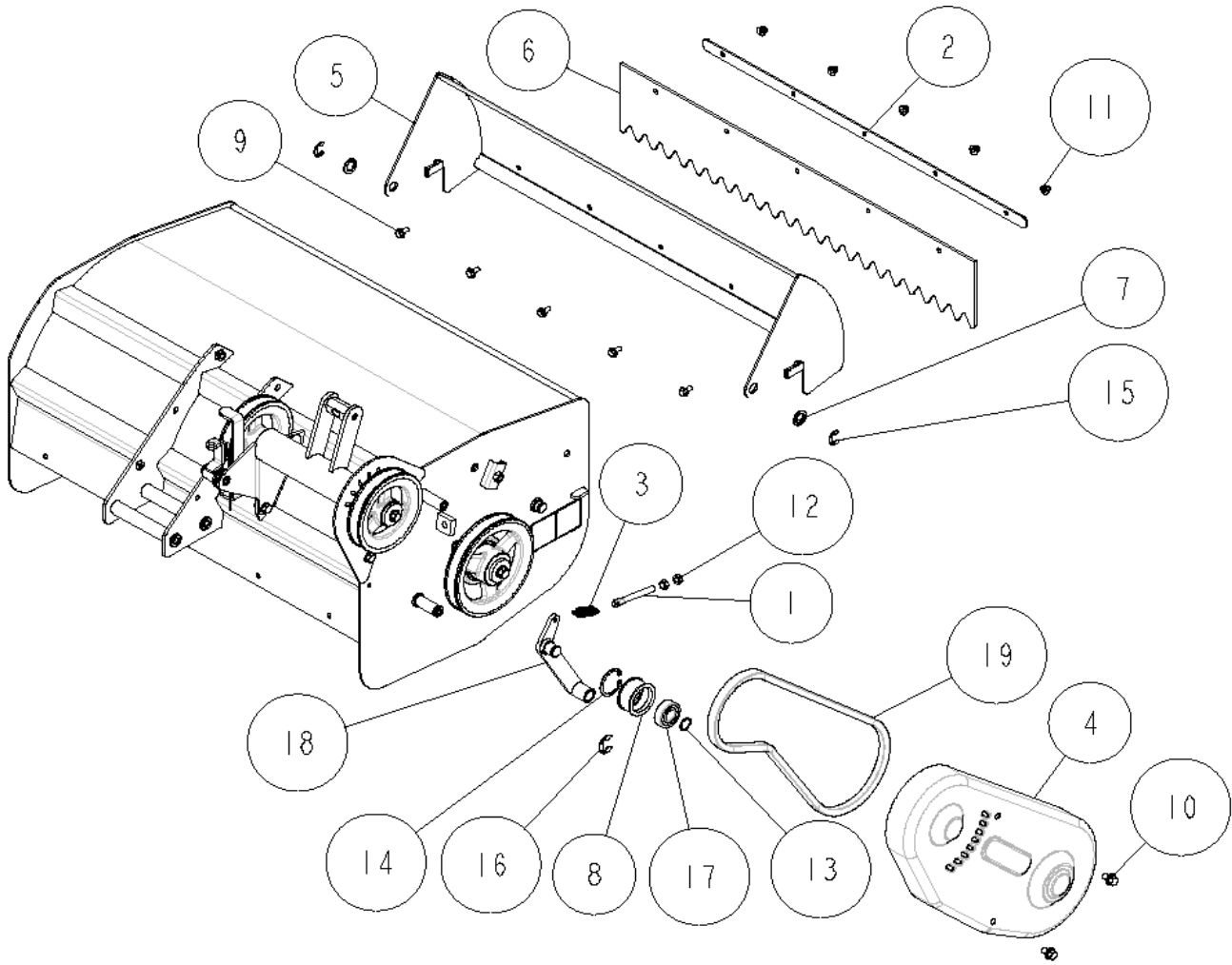
16	0251-00100	Transmission Case (L)	1	1	
15	89-5121-153007	Oil Seal UE 15.30.7	1	1	
14	89-5121-122207	Oil Seal UE 12.22.7	1	1	
13	89-3111-060064	Bearing 6006	1	1	
12	89-2512-000550	Snap Ring (R55)	1	1	
11	89-2111-050020	Spring Pin 5*20	1	1	
10	89-2111-030020	Spring Pin 3*20	1	1	
9	83-1517-685-00	Oil Cap 20	1	1	
8	83-1415-672-00	Blind Cover 30	1	1	
7	83-1415-671-00	Blind Cover 22	1	1	
6	83-1415-662-00	Oil Seal AP 35.55.8	1	1	
5	83-1415-127-00	Seal Bolt (SW) M8*20	4	4	
4	80-1614-146-10	Axle CMP	1		
	0204-00100	Axle CMP		1	
3	80-1565-155-00	Shaft BB Case (L)	1	1	
2	80-1425-112-00	Driving Clutch Folk Shaft	1	1	
1	80-1415-114-00	Side Clutch Fork	1	1	
Ref.	Parts Number	Parts Name	Quantity		Remarks
			662	802	



17	0223-76100	Label, Caution (Large)	1	1	
16	89-2111-050022	Spring Pin 5*22	1	1	
15	89-1714-120002	Flat Washer 12	1	1	
14	89-1711-100002	Flat Washer 10	2	2	
13	89-1611-080042	Mini Hexagonal Nut M8	2	2	
12	83-1575-189-00	Flange Cap Nut M6	5	6	
11	89-1211-080252	Mini Hexagonal Bolt M8*25	2	2	
10	89-1137-060152	Hexagonal Bolt (PW) M6*15	5	6	
9	84-1723-739-00	Cutting Height Adjusting Handle	1	1	
8	83-1713-166-00	Round Headed Pin 10*80	1	1	
7	83-1210-425-00	Lever Grip 10	1	1	
6	80-1614-906-00	Label, Safety Cover	1	1	
5	80-1614-782-10	Rear Flapper	1		
	0204-60500	Rear Flapper		1	
4	0285-61200	Height Adjusting Bolt Receiver	1	1	
3	0285-62400	Height Adjusting Bolt CMP	1	1	
2	80-1613-733-10	Safety Cover	1		
	0204-60700	Safety Cover		1	
1	80-1610-787-00	Flapper Holder	1		
	0204-70600	Flapper Holder		1	
Ref.	Parts Number	Parts Name	662	802	Remarks
			Quantity		

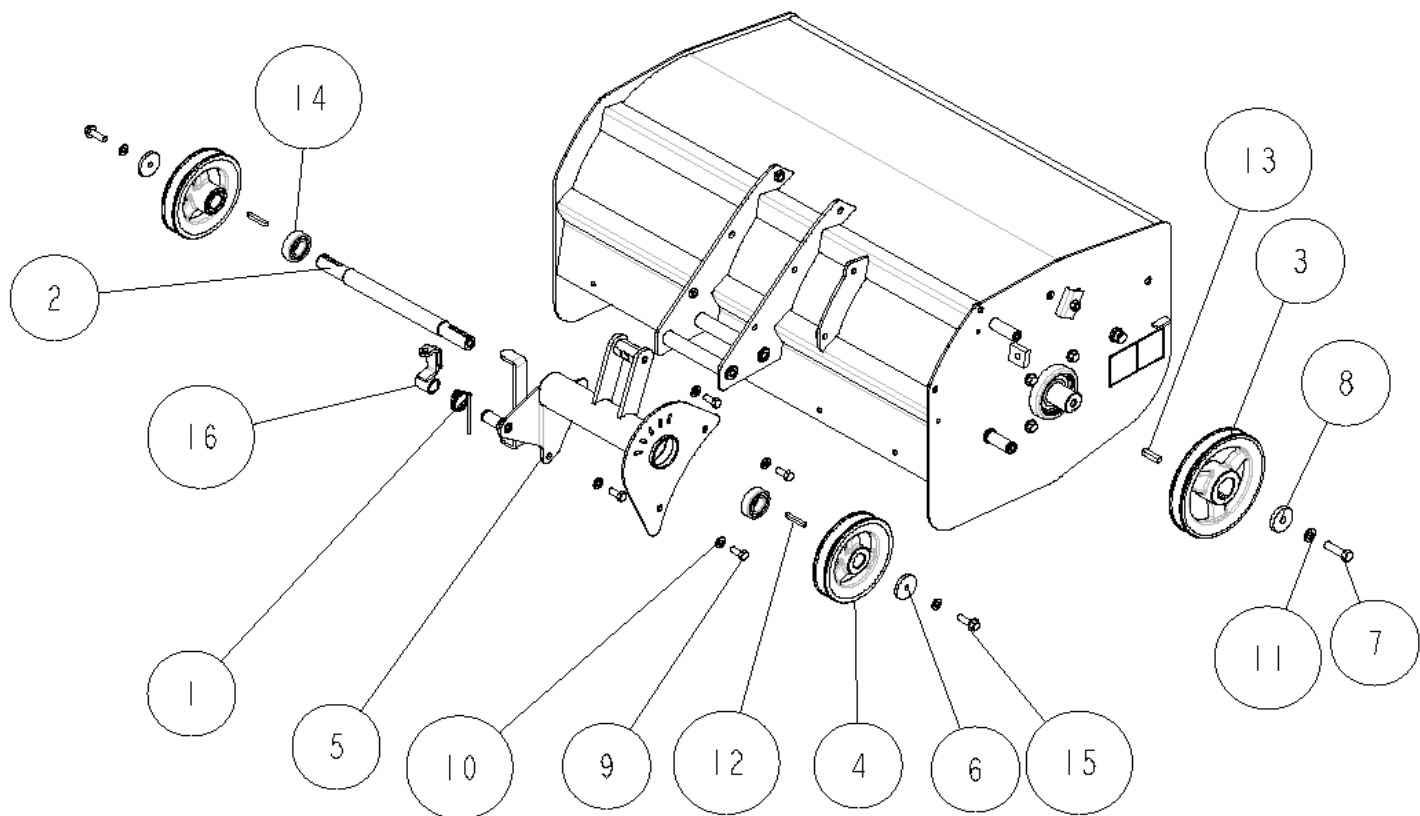


23	0256-60700	Dust Cover	2	2	
22	0211-60500	Front Bumper	1		
	0204-61200	Front Bumper		1	
21	0211-60400	Front Arm CMP	1		
	0204-61100	Front Arm CMP		1	
20	89-3370-051105	Thrust Bearing 51105	2	2	
19	89-2181-100502	Flat Head Pin 10*50	1	1	
18	89-2131-100002	Snap Pin 10	1	1	
17	89-1750-140002	Spring Washer 14	2	2	
16	89-1750-120002	Spring Washer 12	2	2	
15	89-1714-120002	Flat Washer 12	2	2	
14	89-1543-100002	Mini Hexagonal Nut (SW) M10	2	2	
13	89-1543-080002	Mini Hexagonal Nut (SW) M8	4	4	
12	89-1253-080202	Flange Mini Hexagonal Bolt (8T) M8*20	4	4	
11	89-1211-100952	Mini Hexagonal Bolt M10*95	2	2	
10	84-1783-791-00	Grease Nipple Bolt M14	2	2	
9	83-1783-376-00	Thrust Washer 25*34*1.0	2	2	
8	83-1613-907-10	Label, Caution for Hand and Leg	2	2	
7	83-1610-192-00	Hexagonal Nut (slender) M12 P=1.25	2	2	
6	83-1415-975-00	Grease Nipple M6	2	2	
5	83-1050-901-00	Label, OREC	1	1	
4	80-1614-727-00	Front Wheel	2	2	
3	80-1614-726-00	Front Wheel Collar	2	2	
2	80-1614-725-20	Front Wheel Fork	2	2	
1	80-1614-714-00	Front Arm Setting Shaft	2	2	
Ref.	Parts Number	Parts Name	662	802	Remarks
			Quantity		



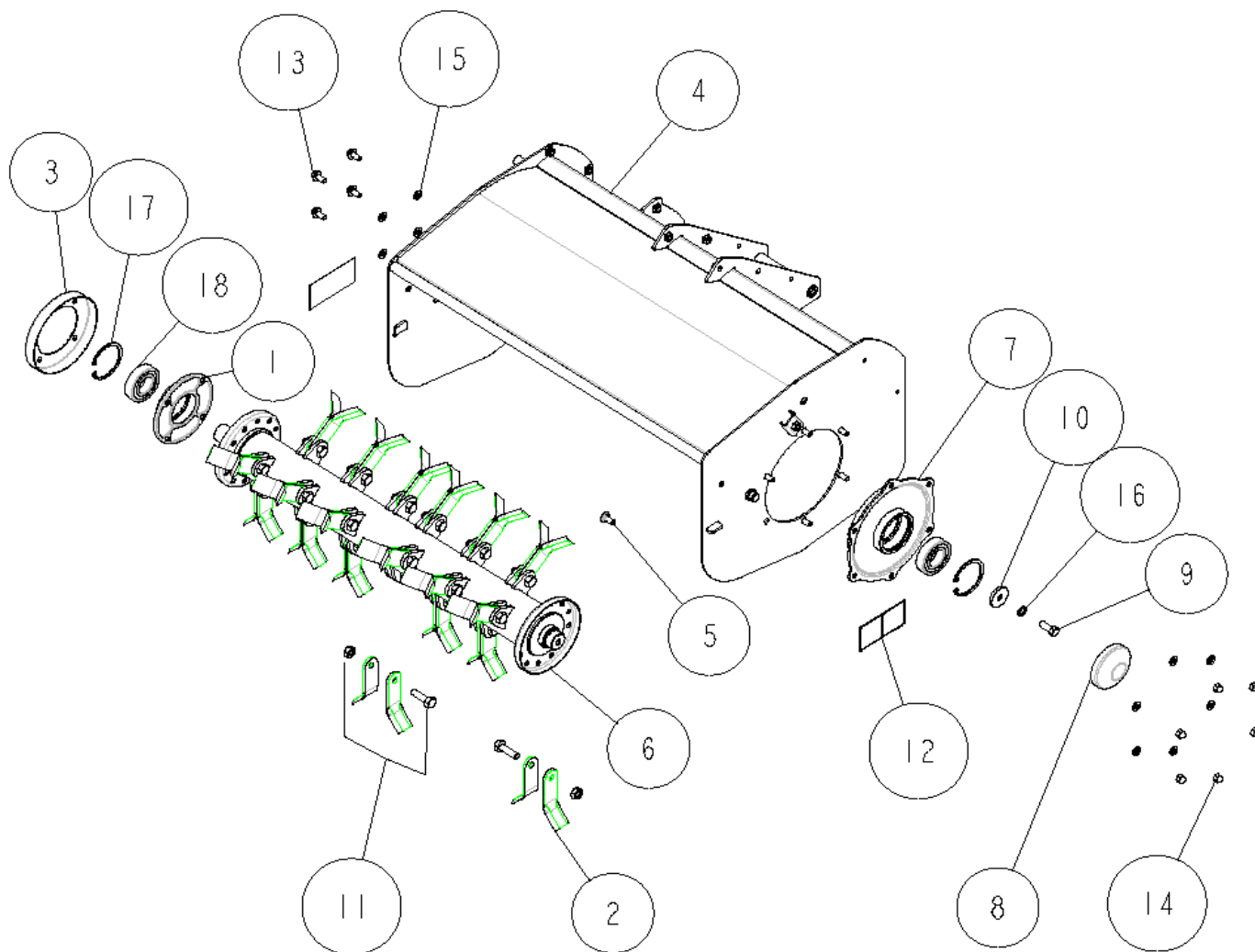
19	89-6123-003901	V Belt LBR-39	1		
	89-6123-003902	V Belt SB-39 (W800)		1	
18	0211-63200	Front Tension Arm CMP	1	1	
17	89-3115-062034	Bearing 6203 2RS	1	1	
16	89-2521-000150	E Type Ring 15	1	1	
15	89-2521-000120	E Type Ring 12	2	2	
14	89-2512-000400	Snap Ring (R40)	1	1	
13	89-2511-000170	Snap Ring (S17)	1	1	
12	89-1611-080042	Mini Hexagonal Nut M8	2	2	
11	83-1575-189-00	Flange Cap Nut M6	5	6	
10	89-1233-080162	Mini Hexagonal Bolt (PWSW) M8*16	2	2	
9	89-1137-060152	Hexagonal Bolt (PW) M6*15	5	6	
8	83-1032-765-00	Tension Pulley	1	1	
7	80-1675-357-00	Thrust Washer 16*23*2.3	2	2	
6	80-1614-781-10	Front Flapper	1		
	0204-60400	Front Flapper		1	
5	80-1614-764-00	Front Cover CMP	1		
	0204-60300	Front Cover CMP		1	
4	80-1614-694-10	Knife Belt Cover	1	1	
3	80-1614-315-00	Return Spring	1	1	
2	80-1610-787-00	Flapper Holder	1		
	0204-70600	Flapper Holder		1	
1	80-1182-827-00	Tension Pulling Bolt	1	1	
Ref.	Parts Number	Parts Name	662	802	Remarks
			Quantity	Quantity	

17/18 Rotary cover 4/5



16	0231-37100	Knife Brake	1	1	
15	0212-72100	Hexagonal Bolt(8T) M10*25(Meck)	2	2	
14	89-3115-060044	Bearing 6004 2RS	2	2	
13	89-2151-070300	Key 7*30 (half round)	1	1	
12	89-2151-050350	Key 5*35 (half round)	2	2	
11	89-1750-100002	Spring Washer 10	3	3	
10	89-1750-080002	Spring Washer 8	4	4	
9	89-1213-080182	Mini Hexagonal Bolt (8T) M8*18	4	4	
8	83-1610-322-00	Washer 10*36*6	1	1	
7	83-1610-125-00	Hexagonal Bolt (8T) M10*35	1	1	
6	83-1610-321-00	Washer 10*36*4.5	2	2	
5	80-1614-691-30	Supporter Pipe CMP	1		
	0204-40200	Supporter Pipe CMP		1	
4	80-1614-636-00	Supporter Pulley	2	2	
3	80-1614-634-20	Knife Pulley 155	1	1	
2	80-1614-621-30	Supporter Shaft	1		
	0204-40110	Supporter Shaft		1	
1	80-1614-373-20	Knife Brake Spring	1	1	
Ref.	Parts Number	Parts Name	662	802	Remarks
			Quantity		

18/18 Rotary cover 5/5



18	89-3115-062064	Bearing 6206 2RS	2	2	
17	89-2512-000620	Snap Ring (R62)	2	2	
16	89-1812-100002	Toothed washer (inside) 10	1	1	
15	89-1750-080002	Spring Washer 8	10	10	
14	89-1671-080042	Mini Cap Nut M8	6	6	
13	89-1253-080162	Flange Mini Hexagonal Bolt (8T) M8*16	4	4	
12	83-1613-907-10	Label, Caution for Hand and Leg	2	2	
11	83-1610-835-00	Knife Setting Bolt Set	19	23	
10	83-1610-321-00	Washer 10*36*4.5	1	1	
9	83-1610-124-00	Hexagonal Bolt (8T) M10*25 (left screw)	1	1	
8	80-1614-810-00	BB Case Cover	1	1	
7	0285-60100	Knife Shaft BB Case Set	1	1	
6	80-1614-800-00	Knife Drum ASSY	1		
	0204-50000	Knife Drum ASSY		1	
5	80-1614-705-00	Flat Head Bolt M8*18	6	6	
4	80-1614-703-30	Rotary Cover CMP	1		
	0204-60110	Rotary Cover CMP		1	
3	80-1612-813-00	Dust Cover	1	1	
2	80-1610-821-00	Hammer Knife Blade	38	46	
1	80-1610-804-00	BB Case	1	1	
Ref.	Parts Number	Parts Name	662	802	Remarks
			Quantity		