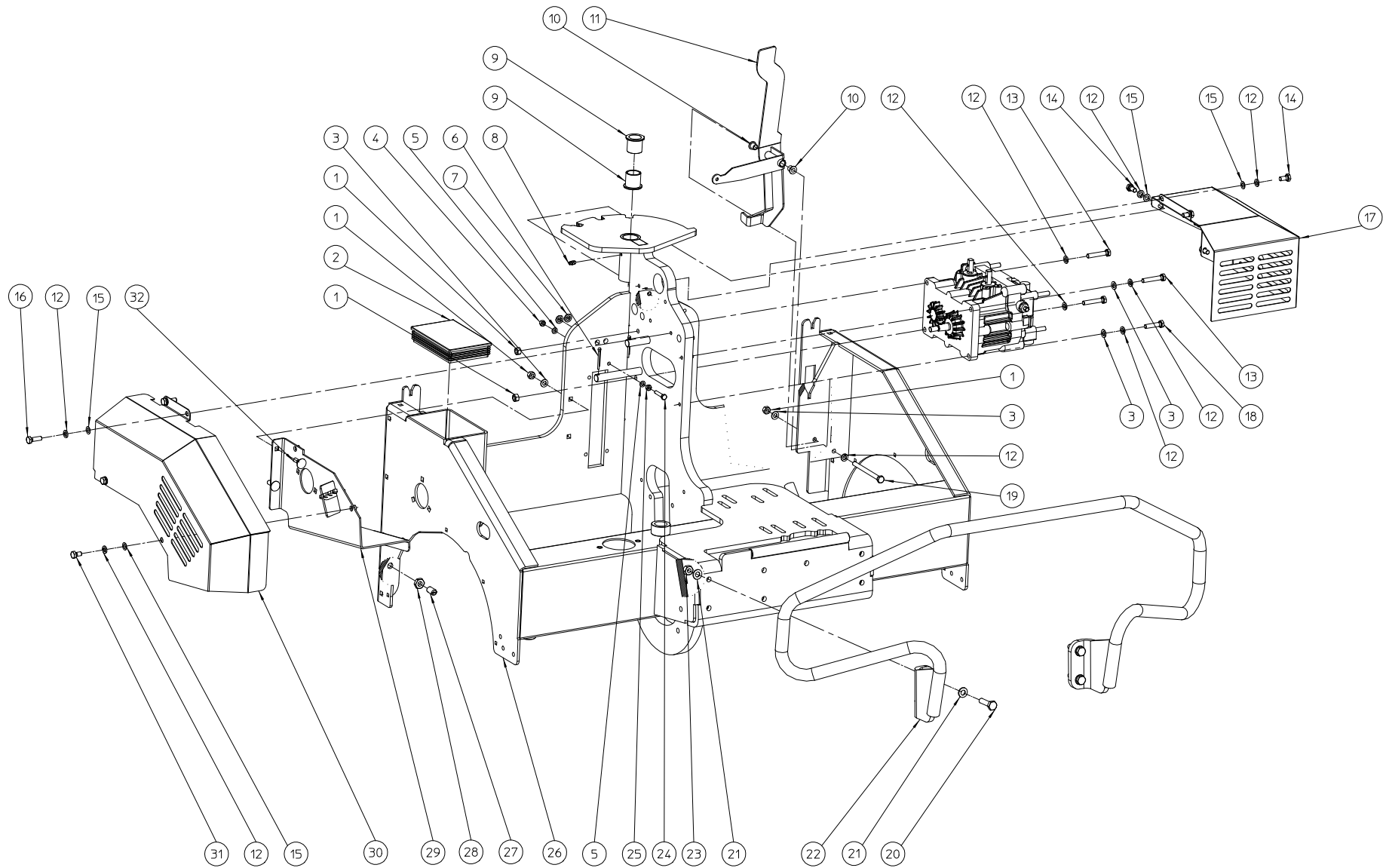


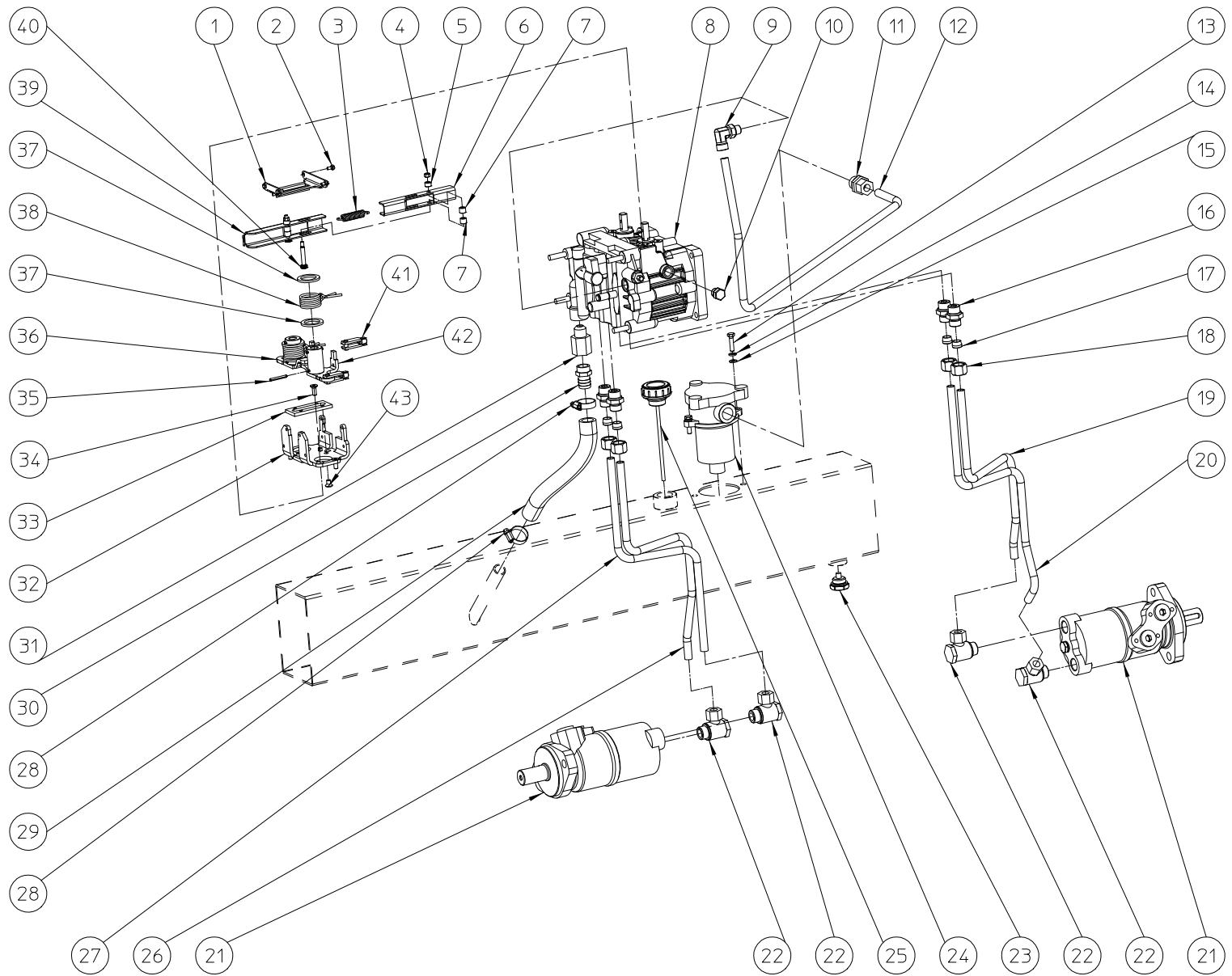
ELIET GZC 1000 -- GENERAL					
NO	MMA 01 161 100	REV	1	DATE	2014/01/31

#	Order nr	article description	quantity
1	MMA 01 161 110	front frame	1
2	MMA 01 161 120	hydraulics	1
3	MMA 01 161 130	front rolls	1
4	MMA 01 161 140	handle-bar	1
5	MMA 01 161 150	control panel	1
6	MMA 01 161 160	back frame	1
7	MMA 01 161 170	harrow	1
8	MMA 01 161 180	transmission	1
9	MMA 01 161 190	seeder	1
10	MMA 01 161 200	stickers	1



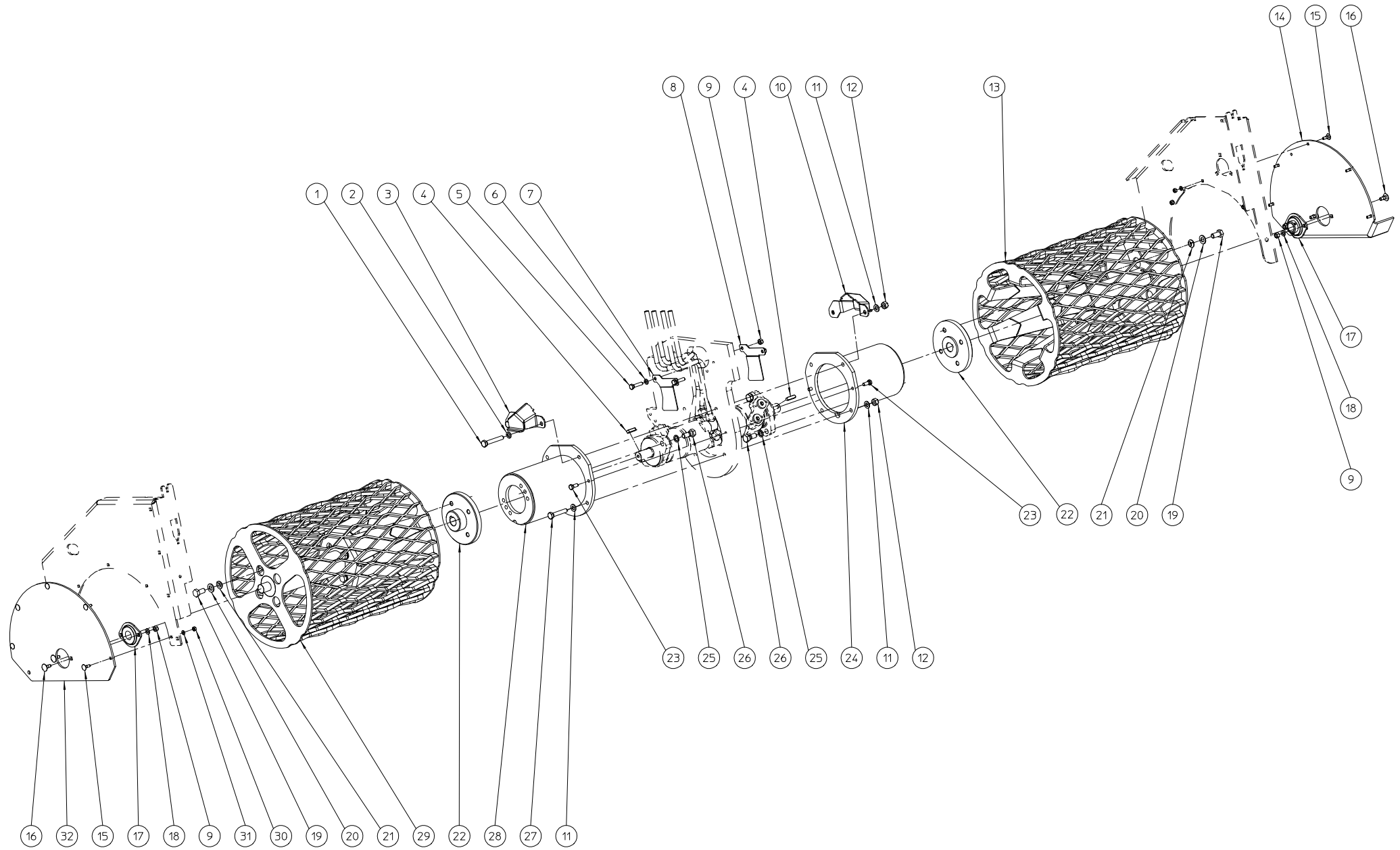
ELIET GZC 1000 --FRONT CHASSIS					
NO	MMA 01 161 110	REV	1	DATE	2014/03/05

#	Order nr	article description	quantity
1	BS 502 000 800	self locking nut m8 din 985	5
2	BR 021 215 100	cap pvc black 100x150	1
3	BS 531 000 800	washer m8 din 125	5
4	BS 502 000 600	self locking nut m6 din 985	1
5	BS 531 000 600	washer m6 din 125	2
6	BB 135 070 321	split pins	2
7	MPA 01 161 640	fixation spring transmission	2
8	BY 100 106 100	grease fitting m6 din 71412	1
9	BR 112 253 000	nylon bushing with collar (25/30/37x30/2.5)	2
10	BR 112 081 300	nylon bushing with collar (8/11/16x13/2)	2
11	MPA 01 161 170	control seed reservoir	1
12	BS 533 000 800	lock washer m8 din 127b	14
13	BS 512 000 841	bolt m8x45 din 933	3
14	BS 512 000 816	bolt m8x16 din 933	6
15	BS 534 000 800	lock washer m8 din 6798a	9
16	BS 512 000 825	bolt m8x25 din 933	2
17	MPA 01 161 330	protection pump	1
18	BS 512 000 835	bolt m8x35 din 933	1
19	BS 512 000 850	bolt m8x100 din 933	1
20	BS 512 001 040	bolt m10x40 din 933	4
21	BS 531 001 000	washer m10 din 125	8
22	MPA 01 161 350	bumper	1
23	BS 502 001 000	self locking nut m10 din 985	4
24	BS 512 000 630	bolt m6x30 din 933	1
25	BS 501 000 600	nut m6 din 934	1
26	MPA 01 161 010	support front roll	1
27	BS 351 601 222	spring loaded plunjer m12x22	1
28	BS 501 901 200	nut m12 din 439	1
29	MPA 01 161 230	support transmission	1
30	MPA 01 161 320	protection belt	1
31	BS 512 000 814	bolt m8x14 din 933	2
32	BS 554 100 825	bolt m8x25 din 603	2



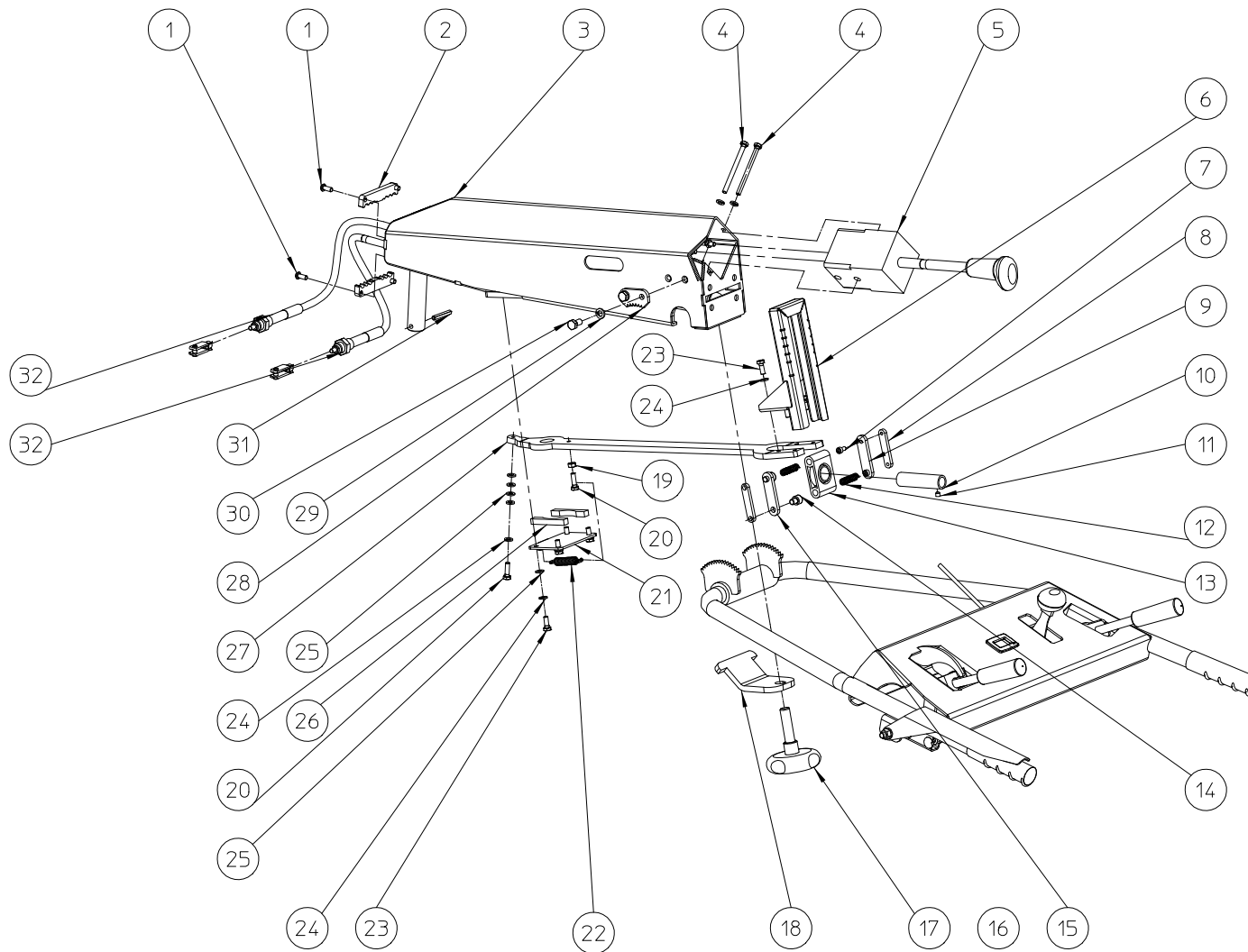
ELIET GZC 1000 -- HYDRAULICS					
NO	MMA 01 161 120	REV	1	DATE	2014/01/29

#	Order nr	article description	quantity
1	MPA 01 161 690	slide center point	1
2	BS 512 000 408	bolt m4x8 din 933	4
3	BV 912 000 010	recall spring	1
4	BS 502 000 500	self locking nut m5 din 985	2
5	BR 111 060 690	nylon bushing (6/10x6)	2
6	MPA 01 161 710	control rod pump back	1
7	BR 111 060 890	nylon bushing (6/10x8)	4
8	BH 241 010 001	variable displacement pump 2 x 10cc	1
9	BH 522 091 214	stud elbows 12lx9/16" unf	1
10	BH 500 514 000	blanking plug 9/16"unf	1
11	BH 509 211 208	male stud coupling 12lx1/2"	1
12	MPA 01 161 760	hydraulic tube return	1
13	BS 512 000 625	bolt m6x25 din 933	2
14	BS 533 000 600	lock washer m6 din 127b	2
15	BS 531 000 600	washer m6 din 125	2
16	BH 509 291 219	male stud coupling 12lx3/4 unf bo	4
17	BH 508 821 200	cutting ring 12ls	4
18	BH 508 121 200	nut 12l	4
19	MPA 01 161 750	hydraulic tube right front	1
20	MPA 01 161 740	hydraulic tube right back	1
21	BH 330 440 001	hydraulic engine ompe 400 cc	2
22	BH 513 111 208	banjo 12lx1/2"	4
23	BH 720 604 080	magnetic plug	1
24	BH 280 801 080	oil filter 1/2 complete (filter element 25mic => bh 280 801 510)	1
25	BH 720 704 112	filler cap	1
26	MPA 01 161 730	hydraulic tube left front	1
27	MPA 01 161 720	hydraulic tube left back	1
28	BT 670 117 290	hose clamp 17x29mm	2
29	BR 200 219 245	flexible hose 27	1
30	BT 136 260 820	insert connector for hose 20x1/2	1
31	BH 504 608 190	male stud coupling (m-f) 3/4-16unf x 1/2bsp	1
32	MPA 01 161 680	lever neutral position	1
33	BR 910 000 650	nylon slidepiece pump	1
34	BS 522 100 616	screw m6x16 din 7991	4
35	BB 120 040 300	locking 4x30 din 1481	4
36	MPA 01 161 270	control lever pump left	1
37	MPA 01 310 870	washer	4
38	BV 923 000 010	spring	2
39	MPA 01 161 700	control rod pump front	1
40	BS 024 000 530	set screw iso 7379 m5-6x30	2
41	BS 556 000 624	fork m6x24 din 71752	2
42	MPA 01 161 280	control lever pump right	1
43	BS 522 100 610	screw m6x10 din 7991	4



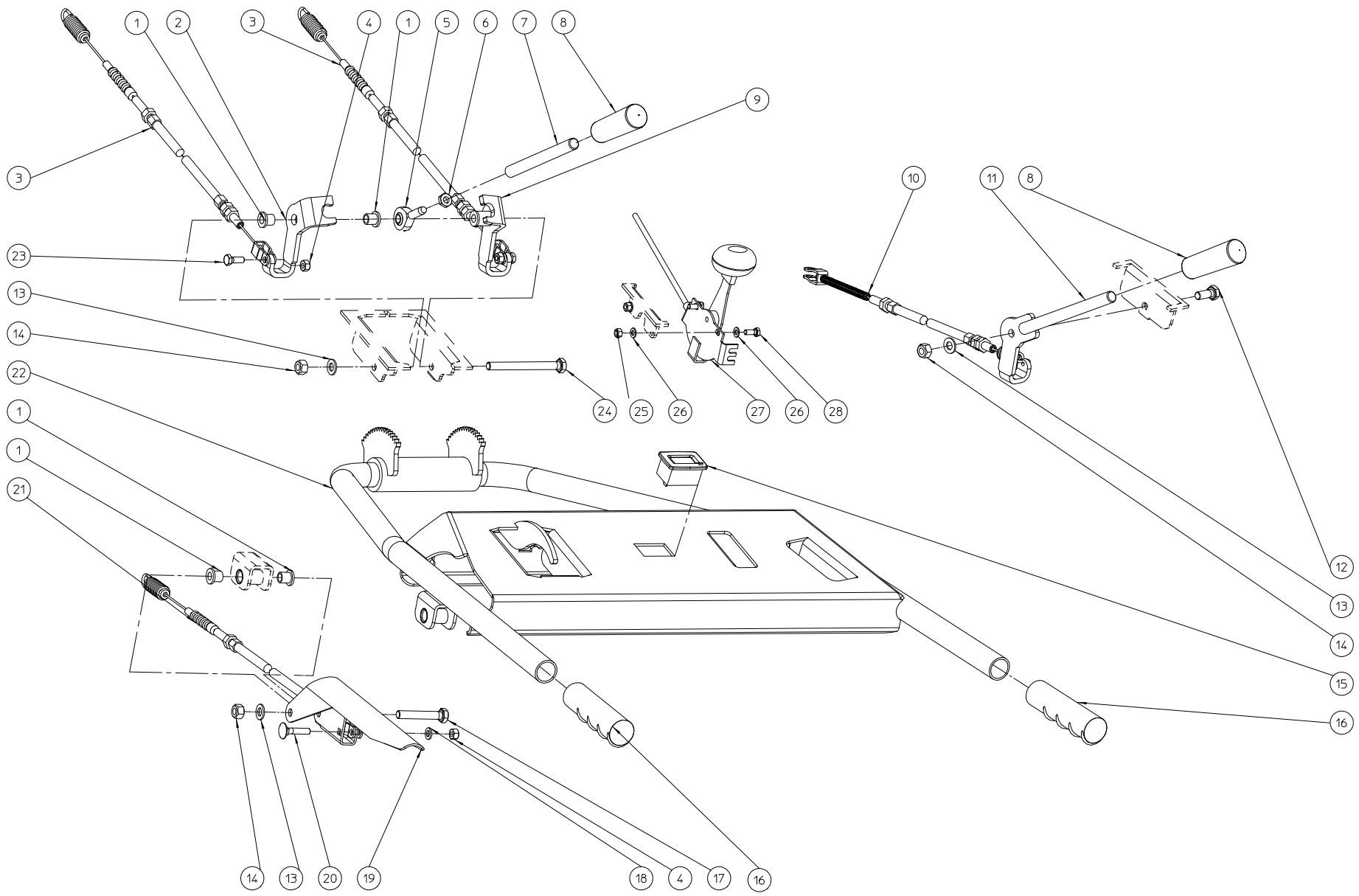
ELIET GZC 1000 -- FRONT ROLLS						
NO	MMA 01 161 130	REV	1	DATE	2014/01/24	

#	Order nr	article description	quantity
1	BS 512 001 045	bolt m10x65 din 933	2
2	BS 533 001 000	lock washer m10 din 127b	2
3	MPA 01 161 820	protection connector left	1
4	BB 351 080 732	key 8x7x32 din 6885a	2
5	BS 512 000 835	bolt m8x35 din 933	2
6	BS 533 000 800	lock washer m8 din 127b	2
7	MPA 01 161 670	protection tube right	1
8	MPA 01 161 660	protection tube left	1
9	BS 502 000 800	self locking nut m8 din 985	6
10	MPA 01 161 830	protection connector right	1
11	BS 531 001 000	washer m10 din 125	6
12	BS 502 001 000	self locking nut m10 din 985	4
13	MPA 01 161 060	roll front right	1
14	MPA 01 161 220	support front right roll	1
15	BS 554 100 620	bolt m6x20 din 603	10
16	BS 554 100 820	bolt m8x20 din 603	4
17	BL 801 102 500	bearing + flanges aspfl 205	2
18	BS 531 000 800	washer m8 din 125	4
19	BS 512 301 225	bolt m12x1.5x25 din 961	8
20	BS 531 001 200	washer m12 din 125	8
21	BS 535 301 210	lock cup washer m12 din 74361	8
22	BA 281 504 501	hub rear wheel m12x1.5	2
23	BS 512 000 820	bolt m8x20 din 933	4
24	MPA 01 161 040	engine support right	1
25	BS 733 611 220	nordlock washer glued 12	4
26	BS 052 201 230	screw din 609-7968 m12x30	4
27	BS 512 001 043	bolt m10x55 din 933	2
28	MPA 01 161 030	engine support left	1
29	MPA 01 161 050	roll front left	1
30	BS 502 000 600	self locking nut m6 din 985	10
31	BS 531 000 600	washer m6 din 125	10
32	MPA 01 161 450	support front left roll	1

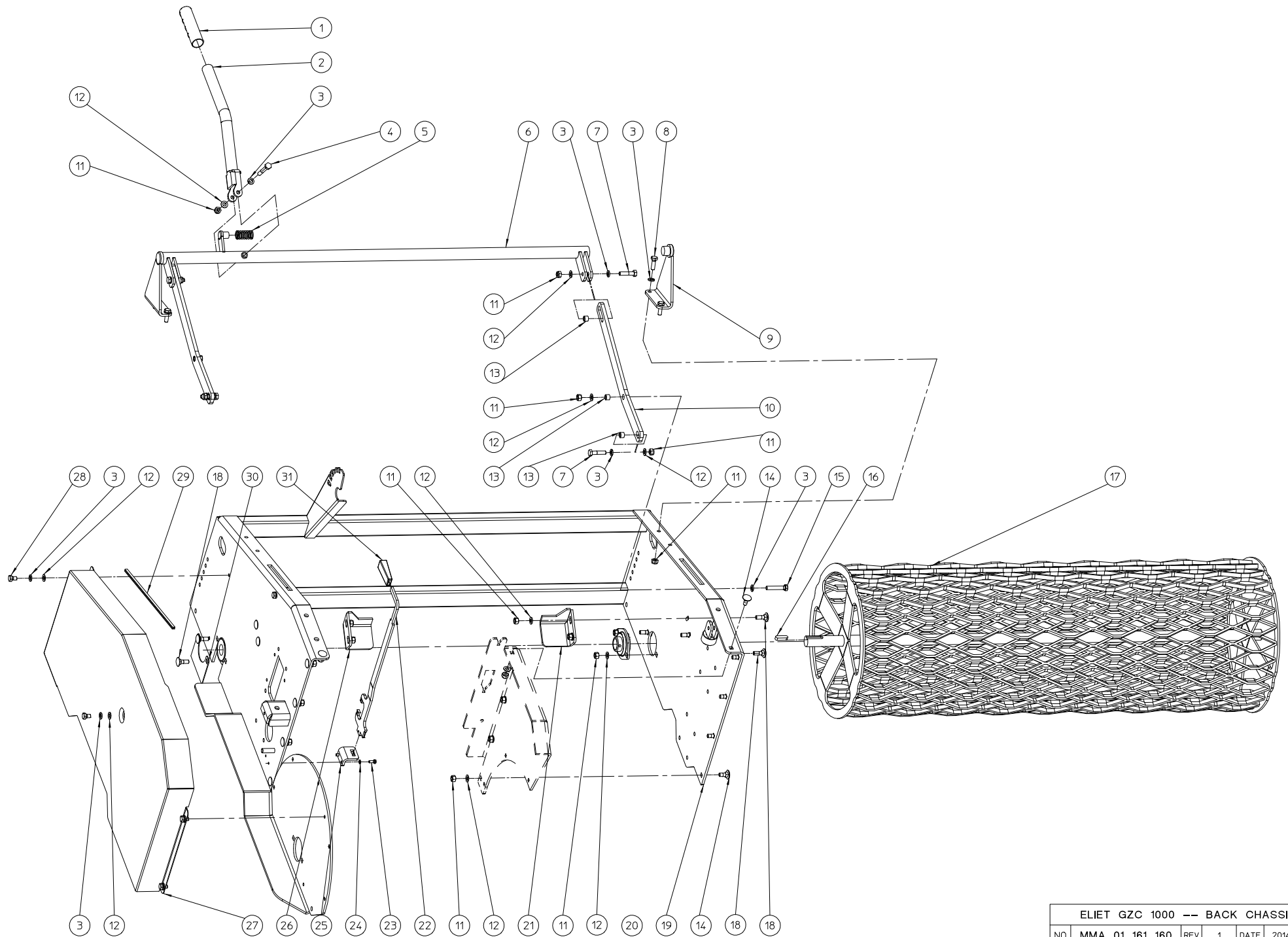


ELIET GZC 1000 --- STEER					
NO	MMA 01 161 140	REV	1	DATE	2014/02/28

#	Order nr	article description	quantity
1	BS 522 500 616	screw m6x16 iso 7380	4
2	BR 910 000 660	nylon cable handle	2
3	MPA 01 161 080	support steer	1
4	BS 512 000 844	bolt m8x60 din 933	2
5	BH 470 300 100	joystick	1
6	MPA 01 161 070	steer joystick	1
7	BS 512 100 510	bolt din 912 m5x10	2
8	MPA 01 161 530	ball joint m5	1
9	MPA 01 161 520	ball joint 5	1
10	MPA 01 161 930	tube joystick	1
11	BS 023 000 606	set screw m6x6 din 916	1
12	BV 916 000 040	spring	2
13	BL 855 007 202	pillow block bearing	1
14	BS 521 100 810	screw m8x10 din 912	2
15	MPA 01 161 500	ball joint 8	1
16	MPA 01 161 510	ball joint m8	1
17	BN 630 414 450	lob knob 732-80 m14x50	1
18	MPA 01 161 470	height control steer	1
19	BS 501 000 600	nut m6 din 934	1
20	BS 512 000 620	bolt m6x20 din 933	2
21	MPA 01 161 540	hinged plate	1
22	BV 011 311 005	spring 1,3x11x55	1
23	BS 512 000 616	bolt m6x16 din 933	8
24	BS 533 000 600	lock washer m6 din 127b	11
25	BS 531 000 600	washer m6 din 125	8
26	BR 910 000 670	nylon slidepiece handle	2
27	MPA 01 161 460	control steer joystick	1
28	MPA 01 161 490	toothed rack handle	2
29	BS 533 000 800	lock washer m8 din 127b	4
30	BS 512 000 816	bolt m8x16 din 933	4
31	BB 120 060 350	locking 6x35 din 1481	1
32	BK 154 601 500	cable joystick	2

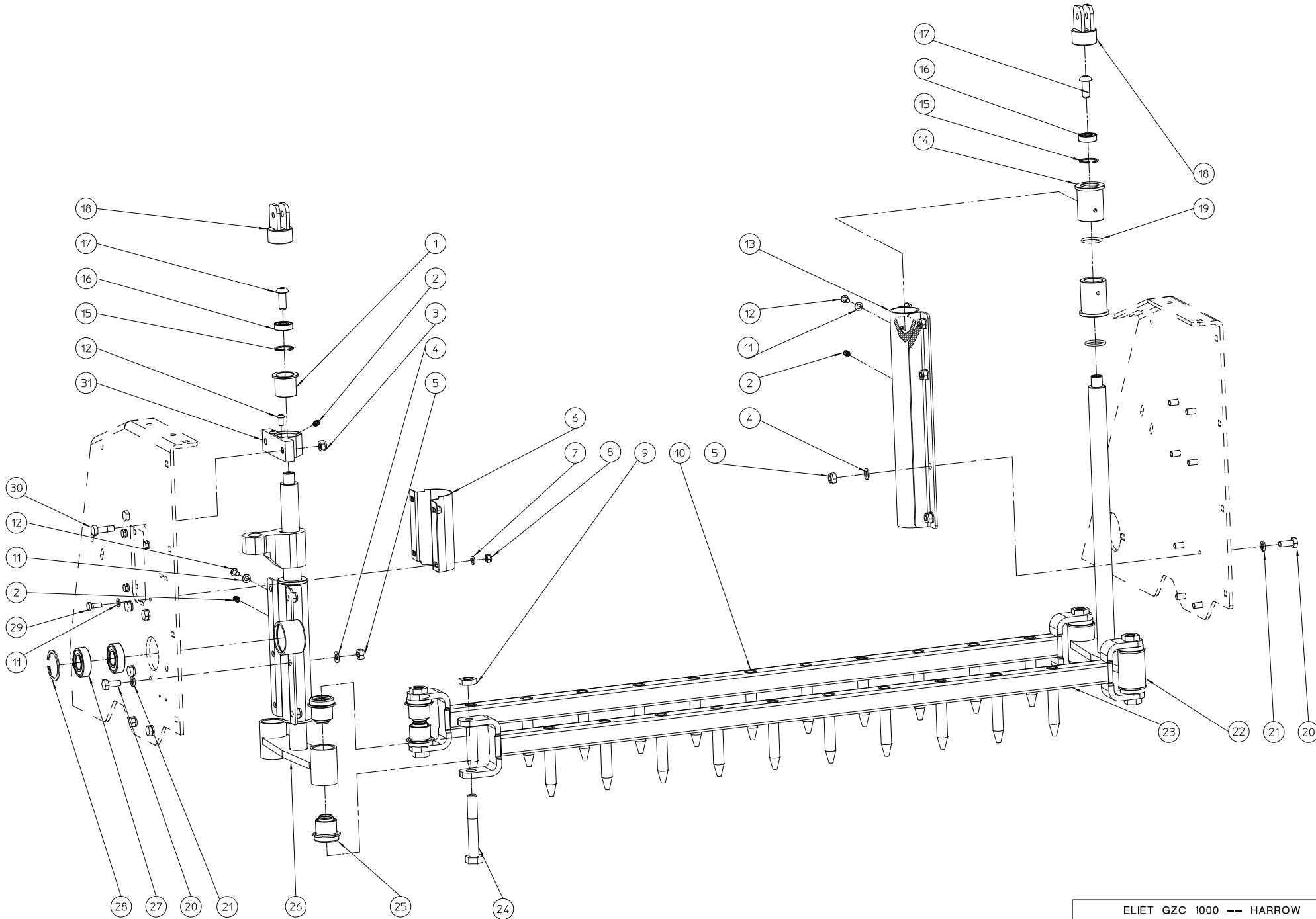


#	Order nr	article description	quantity
1	BR 112 081 300	nylon bushing with collar (8/11/16x13/2)	6
2	MPA 01 161 110	handle-bar harrow slow	1
3	BK 153 182 200	coupling cable harrow	2
4	BS 502 000 600	self locking nut m6 din 985	3
5	BL 650 830 802	hinged cable end	1
6	BS 501 900 800	nut m8 din 439	1
7	MPA 01 161 770	handle harrow	1
8	BN 230 100 512	plastic grip	2
9	MPA 01 161 120	handle-bar harrow quick	1
10	BK 153 182 490	cable seed container	1
11	MPA 01 161 130	handle-bar seed reservoir	1
12	BS 512 000 820	bolt m8x20 din 933	1
13	BS 531 000 800	washer m8 din 125	3
14	BS 502 000 800	self locking nut m8 din 985	3
15	BE 412 430 000	maintenance meter	1
16	BN 230 100 408	plastic grip 1"	2
17	BS 512 000 842	bolt m8x50 din 933	1
18	BS 531 000 600	washer m6 din 125	1
19	MPA 01 161 100	safety handle (presence control)	1
20	BS 554 100 630	bolt m6x30 din 603	1
21	BK 153 182 220	coupling cable pump	1
22	MPA 01 161 090	steer	1
23	BS 512 000 616	bolt m6x16 din 933	2
24	BS 512 000 849	bolt m8x90 din 933	1
25	BS 502 000 500	self locking nut m5 din 985	2
26	BS 531 000 500	washer m5 din 125	4
27	BK 164 022 585	throttle control + cable	1
28	BS 512 000 512	bolt m5x12 din 933	2



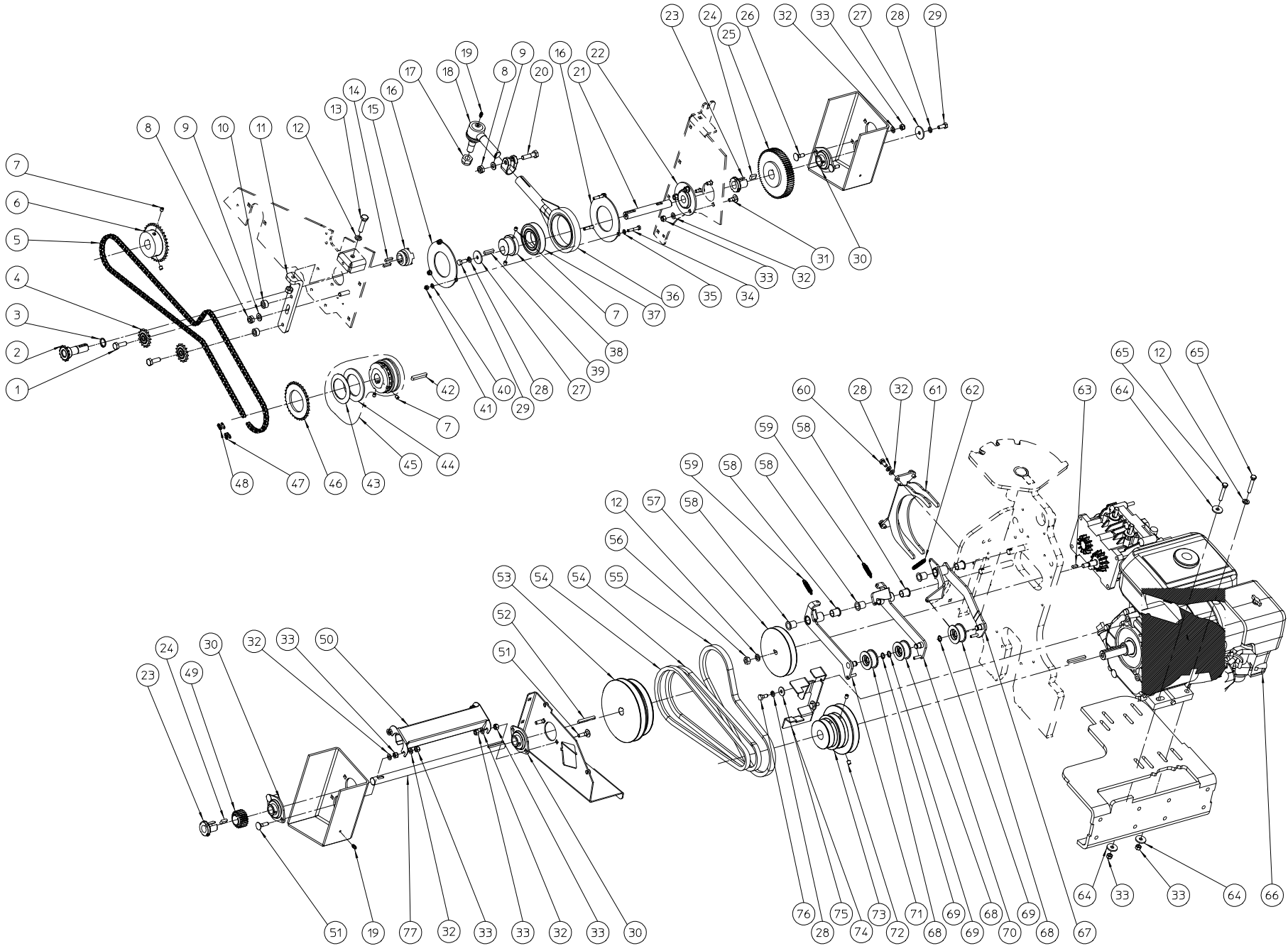
ELIET GZC 1000 -- BACK CHASSIS						
NO	MMA 01 161 160	REV	1	DATE	2014/03/03	

#	Order nr	article description	quantity
1	BN 230 100 408	plastic grip 1"	1
2	MPA 01 161 300	lever regulation harrow	1
3	BS 533 000 800	lock washer m8 din 127b	16
4	BS 511 000 844	bolt m8x60 din 931	1
5	BV 916 000 010	spring 20x2,5x37	1
6	MPA 01 160 170	bell crank depth control	1
7	BS 511 000 835	bolt m8x35 din 931	4
8	BS 512 000 825	bolt m8x25 din 933	4
9	MPA 01 161 290	support regulation comb left	2
10	MPA 01 161 480	plate height control harrow	2
11	BS 502 000 800	self locking nut m8 din 985	29
12	BS 531 000 800	washer m8 din 125	32
13	MPA 01 160 430	spacer bush	6
14	BS 554 100 820	bolt m8x20 din 603	12
15	BS 512 000 841	bolt m8x45 din 933	2
16	BB 351 080 730	key 8x7x30 din 6885a	1
17	MPA 01 160 020	back roller	1
18	BS 554 100 825	bolt m8x25 din 603	6
19	MPA 01 161 020	support back roll	1
20	BL 801 102 500	bearing + flanges aspfl 205	2
21	MPA 01 161 210	guide seed reservoir left	1
22	MPA 01 161 560	fork transmission seed container	1
23	BS 512 000 512	bolt m5x12 din 933	2
24	BS 533 000 500	lock washer m5 din 127b	2
25	MPA 01 161 550	support fork harrow	1
26	MPA 01 161 200	guide seed reservoir right	1
27	MPA 01 161 310	protecton chain	1
28	BS 512 000 812	bolt m8x12 din 933	5
29	BR 000 910 340	rubber u-moulding 340mm	1
30	MPA 01 160 420	bearing cover	1
31	BN 230 100 200	plastic grip 15x6x60	1



ELIET GZC 1000 -- HARROW						
NO	MMA 01 161 170	REV	1	DATE	2014/03/03	

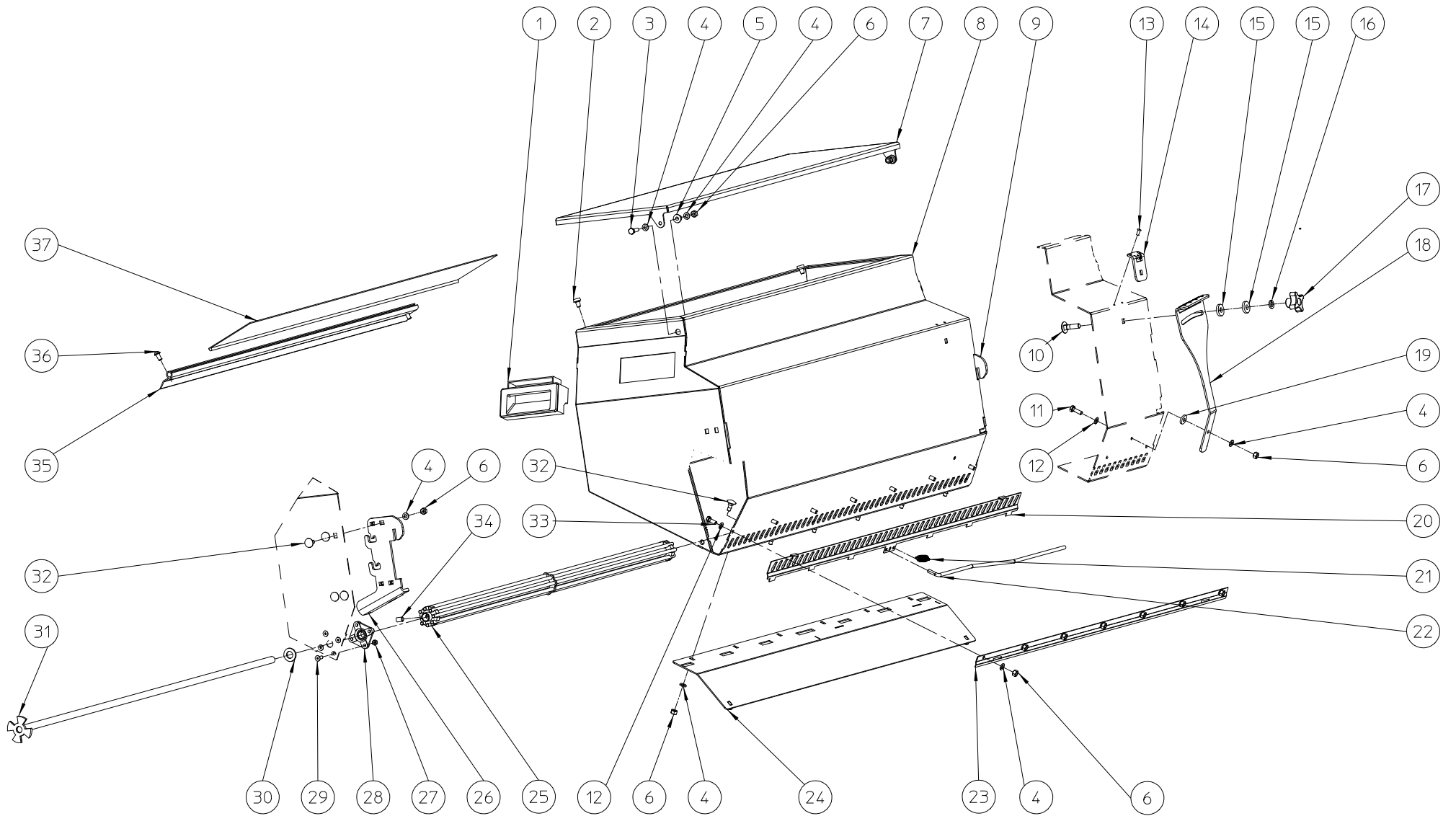
#	Order nr	article description	quantity
1	BR 112 253 000	nylon bushing with collar (25/30/37x30/2.5)	1
2	BY 100 106 100	grease fitting m6 din 71412	3
3	BS 502 000 811	self locking nut m8x1 gr.10 din 985	2
4	BS 531 000 800	washer m8 din 125	14
5	BS 502 000 800	self locking nut m8 din 985	14
6	MPA 01 160 075	bearing housing (right)	1
7	BS 531 000 600	washer m6 din 125	5
8	BS 502 000 600	self locking nut m6 din 985	4
9	BS 501 901 400	nut m14 din 439	4
10	MPA 01 160 100	harrow 11 teeth	1
11	BS 533 000 600	lock washer m6 din 127b	8
12	BS 522 500 612	screw m6x12 iso 7380	6
13	MPA 01 160 050	bearing housing (links)	1
14	BR 910 000 080	nylon bushing	2
15	BB 002 000 260	retaining ring 26 din 472	2
16	BL 001 002 603	bearing 6000 2z	2
17	BS 522 501 025	screw m8x60 iso 7380	2
18	MPA 01 160 140	twisting bracket	2
19	BH 802 024 300	o-ring	2
20	BS 512 000 820	bolt m8x20 din 933	14
21	BS 533 000 800	lock washer m8 din 127b	14
22	MPA 01 160 080	t-shaft (left)	1
23	MPA 01 160 090	harrow 10 teeth	1
24	BS 511 001 449	bolt m14x90 din 931	4
25	BR 601 130 200	vibration damper	8
26	MPA 01 160 060	bearing housing (right) complete	1
27	BL 002 004 203	bearing 6004 zz	2
28	BB 002 000 420	retaining ring 42 din 472	1
29	BS 512 000 616	bolt m6x16 din 933	4
30	BS 011 300 827	bolt m8x1x27 gr.10 din 960	2
31	MPA 01 161 430	support nylon bushing	1



ELIET GZC 1000 -- TRANSMISSION					
NO	MMA 01 161 180	REV	1	DATE	2014/07/15

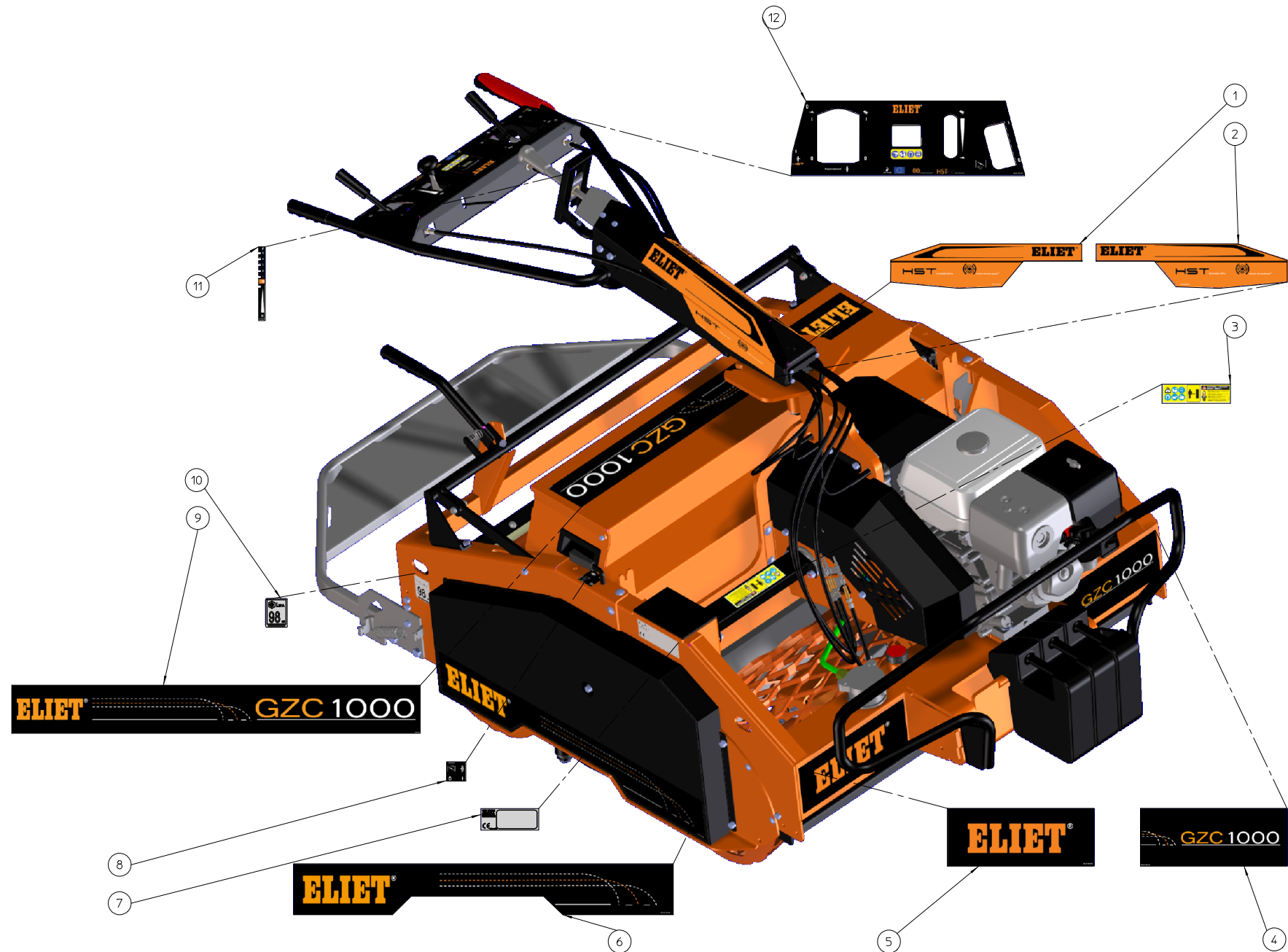
#	Order nr	article description	quantity
1	BS 512 001 030	bolt m10x30 din 933	2
2	MPA 01 161 360	drive axe seed reservoir	1
3	BB 001 000 200	retaining ring 20 din 471	1
4	BA 198 010 150	sprocket simplex 3/8"x7/32" 15t + bearing	2
5	BA 101 182 020	chain simplex 3/8"x7/32" 182l	1
6	BA 161 033 251	sprocket simplex 3/8"x7/32" 33t	1
7	BS 023 000 808	set screw m8x8 din 916	6
8	BS 502 001 000	self locking nut m10 din 985	3
9	BS 531 001 000	washer m10 din 125	2
10	MPA 01 160 210	spacer ring sprocket	2
11	MPA 01 160 200	support chain tightener	1
12	BS 533 001 000	lock washer m10 din 127b	4
13	BS 512 001 041	bolt m10x45 din 933	1
14	BB 351 050 525	key 5x5x25 din 6885a	2
15	BR 910 000 580	collar clutch	1
16	MPA 01 160 220	cover plate eccentric	2
17	BS 500 041 600	self-locking nut m16 din 985	1
18	BA 231 011 600	elastic joint m16	1
19	BY 100 106 100	grease fitting m6 din 71412	2
20	BS 511 001 040	bolt m10x40 din 931	1
21	MPA 01 161 370	axe eccentric	1
22	BL 801 502 000	bearing + flanges aspf 204	1
23	BB 502 230 500	lock bush	2
24	BB 341 061 020	key 6x10x20 din 6880	2
25	BA 602 006 501	gear m2 65t h2305	1
26	BS 554 100 825	bolt m8x25 din 603	2
27	BS 532 008 356	washer m8x35x3	2
28	BS 533 000 800	lock washer m8 din 127b	7
29	BS 512 000 820	bolt m8x20 din 933	2
30	BL 801 102 001	bearing + flanges aspfl 204	3
31	BS 554 100 820	bolt m8x20 din 603	3
32	BS 531 000 800	washer m8 din 125	15
33	BS 502 000 800	self locking nut m8 din 985	17
34	BS 511 000 635	bolt m6x35 din 931	3
35	BS 533 000 600	lock washer m6 din 127b	3
36	BR 900 000 320	bearing excentric	1
37	BL 004 508 503	bearing din 625 2rz	1
38	MPA 01 161 420	eccentric	1
39	BB 341 060 630	key 6x6x30 din 6880	1
40	BS 531 000 600	washer m6 din 125	3
41	BS 502 000 600	self locking nut m6 din 985	3
42	BB 351 080 750	key 8x7x50 din 6885a	1
43	BA 240 109 000	torque limiter (compl. unit)	1
44	BA 161 033 600	sprocket simplex 3/8"x7/32" 33t	1
45	BA 151 400 000	connecting chain link simplex (1/2) 3/8"x7/32"	1
46	BA 151 200 000	connecting chain link simplex 3/8"x7/32"	1
47	BA 602 002 101	gear m2 21t h2305	1
48	MPA 01 161 650	protection axe harrow	1
49	BS 554 100 830	bolt m8x30 din 603	4
50	BB 342 060 657	key 6.35x6.35x57 din 6880	2
51	MPA 01 161 390	pulley spa 157-140	1
52	BA 521 709 503	belt a 37	2

53	BA 522 509 140	belt lb 36	1
54	BS 501 071 000	nut m10 din 934 left-hand	1
55	BA 566 712 502	pulley spb 125xcon1-8	1
56	BR 112 152 100	nylon bushing with collar (15.4/18/23x21/1)	6
57	BV 011 009 004	spring 1,0x9,0x45,0	2
58	BS 512 000 816	bolt m8x16 din 933	4
59	MPA 01 161 630	guide harrow pulley	1
60	BV 916 000 020	spring 8x1x55	1
61	BB 351 050 518	key 5x5x18 din 6885a	1
62	BS 532 008 306	washer m8x30x3	6
63	BS 512 000 842	bolt m8x50 din 933	4
64	BM 202 109 000	honda gx 270	1
65	MPA 01 161 240	lever pumpcontrol	1
66	BA 599 227 450	idler roller	3
67	BB 001 000 120	retaining ring 12 din 471	3
68	MPA 01 161 250	levier harrow fast	1
69	MPA 01 161 260	levier harrow slow	1
70	BS 023 000 810	set screw m8x10 din 916	4
71	MPA 01 161 400	pulley spb125 spa80-63	1
72	MPA 01 161 340	belt guide	1
73	BS 532 008 254	washer m8x25x2	2
74	BS 512 040 819	bolt unf 5/16"x3/4"	2
75	MPA 01 161 380	reduction axe harrow	1



ELIET GZC 1000 -- SEED CONTAINER					
NO	MMA 01 161 190	REV	1	DATE	2014/03/05

#	Order nr	article description	quantity
1	BN 230 100 600	grip	2
2	BR 602 006 151	rubber bumper	2
3	BS 512 000 620	bolt m6x20 din 933	2
4	BS 531 000 600	washer m6 din 125	26
5	BR 112 060 800	nylon bushing with collar (6/10/15x8.5/2)	2
6	BS 502 000 600	self locking nut m6 din 985	24
7	MPA 01 161 150	cover seed reservoir	1
8	MPA 01 161 140	seed reservoir	1
9	MPA 01 161 570	reinforcement left	1
10	BS 554 100 830	bolt m8x30 din 603	1
11	BS 512 000 618	bolt m6x18 din 933	1
12	BS 533 000 600	lock washer m6 din 127b	8
13	BB 221 104 100	pop plug alu 3.9x10 din 7337 a	2
14	MPA 01 161 590	comb seedflow	1
15	BS 531 200 800	washer m8 din 7349	2
16	BS 533 000 800	lock washer m8 din 127b	1
17	BN 630 808 400	lob knob 188-40 m8	1
18	MPA 01 161 600	doselever	1
19	BS 531 200 600	washer m6 din 7349	1
20	MPA 01 161 620	dosingplate	1
21	BV 011 311 005	spring 1,3x11x55	1
22	MPA 01 161 440	control rod seed reservoir	1
23	MPA 01 161 610	sliding rail dosage	1
24	MPA 01 161 160	deflector	1
25	MPA 01 161 180	stirrer	1
26	MPA 01 161 580	reinforcement right	1
27	BS 502 000 500	self locking nut m5 din 985	8
28	BL 855 007 125	flange bearing efsm-12	2
29	BS 522 100 516	screw m5x16 din 7991	8
30	BR 111 130 200	nylon bushing (13/24x2,5)	1
31	MPA 01 161 190	axe transmission	1
32	BS 554 100 616	bolt m6x16 din 603	14
33	BS 512 000 614	bolt m6x14 din 933	7
34	BS 023 100 812	set screw m8x12 din 913	2
35	MPA 01 161 920	profile deflector	1
36	BS 522 500 612	screw m6x12 iso 7380	2
37	BY 431 310 094	deflector strip	1



ELIET GZC 1000 -- STICKERS						
NO	MMA 01 161 200	REV	1	DATE	2014/01/24	

#	Order nr	article description	quantity
1	BQ 501 160 170	sticker handle top	1
2	BQ 501 160 160	sticker handle top	1
3	BQ 505 010 171	safety sticker 70x115 (pictogram)	1
4	BQ 501 160 180	sticker gzc 1000 150x120mm	1
5	BQ 501 160 190	sticker gzc 1000 350x120mm	1
6	BQ 501 160 240	sticker protection	1
7	BQ 505 010 010	identity sticker ce 120x30	1
8	BQ 501 160 200	sticker couple and decouple	1
9	BQ 501 160 140	sticker seed container	1
10	BQ 505 112 098	sticker sound level 98 db	1
11	BQ 501 160 150	sticker transmission	1
12	BQ 501 160 130	sticker dashboard	1