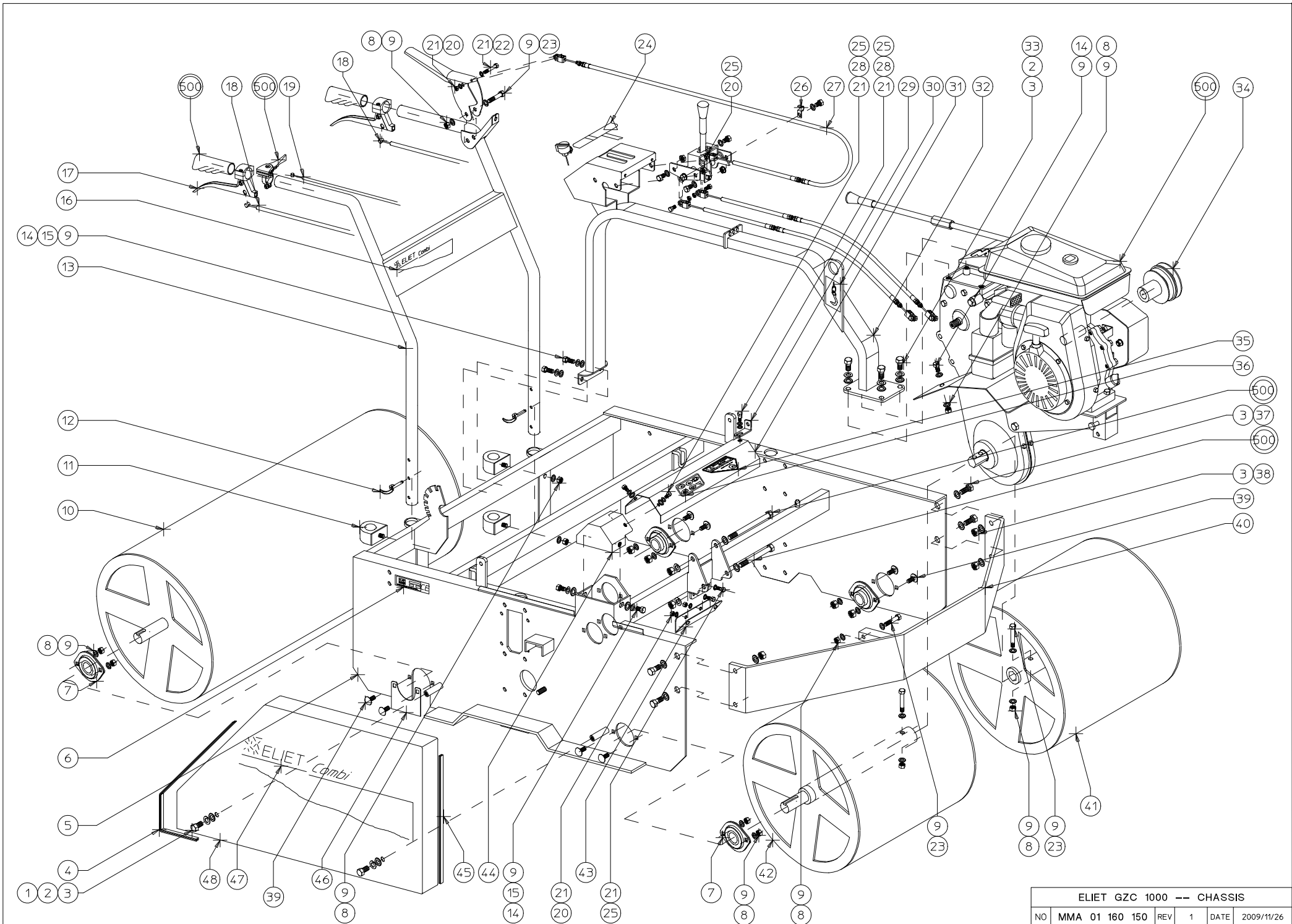


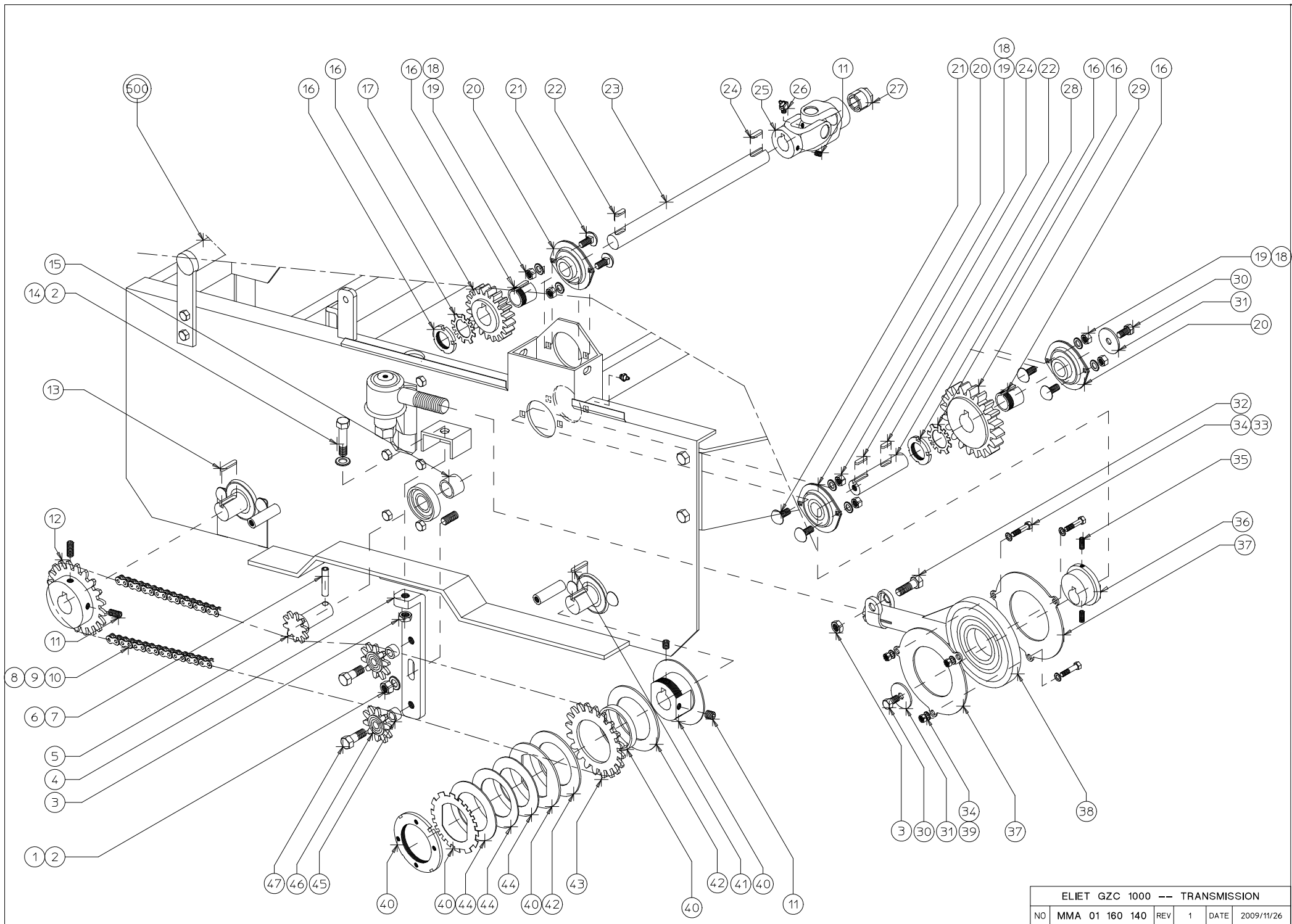
ELIET GZC 1000 -- GENERAL OVERVIEW					
NO	MMA 01 160 100	REV	1	DATE	2009/11/26

#	Order nr	article description	quantity
500	MMA 01 160 150	chassis	0
501	MMA 01 160 140	transmission	0
502	MMA 01 160 120	seed container	0
503	MMA 01 160 130	harrow + transmission	0
504	MMA 01 160 110	engine unit + controls	0



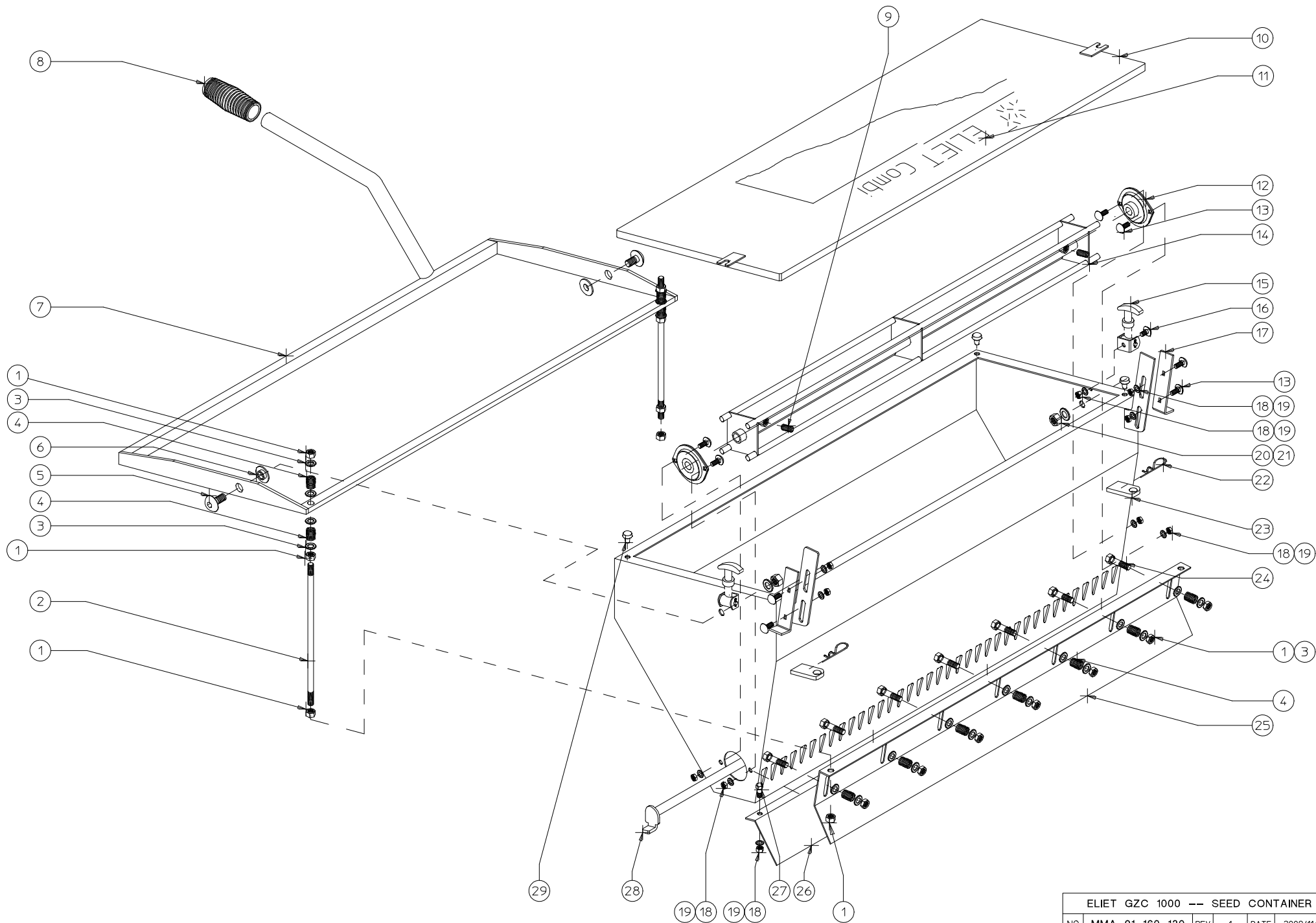
ELIET GZC 1000 -- CHASSIS						
NO	MMA 01 160 150	REV	1	DATE	2009/11/26	

#	Order nr	article description	quantity
1	BS 512 001 020	bolt m10x20 din 933	2
2	BS 533 001 000	lock washer m10 din 127b	6
3	BS 531 001 000	washer m10 din 125	14
4	BR 000 910 560	rubber u-moulding 560mm	1
5	MPA 01 160 010	chassis	1
6	BQ 505 010 010	identity sticker ce 120x30	0
7	BL 801 102 500	bearing + flanges aspfl 205	4
8	BS 502 000 800	self locking nut m8 din 985	18
9	BS 531 000 800	washer m8 din 125	26
10	MPA 01 160 020	back roller	1
11	BR 900 000 400	antivibration blocks	4
12	BB 040 404 030	locking pin 4,5x32	2
13	MPA 01 160 190	push bracket	1
14	BS 512 000 816	bolt m8x16 din 933	5
15	BS 533 000 800	lock washer m8 din 127b	4
16	BQ 501 160 010	sticker eliet seeder combi 165x55	1
17	BN 312 216 500	handle disengagement differential	2
18	BK 152 251 660	cable disengagement differential	2
19	BK 153 151 820	throttle control + cable	1
20	BS 502 000 600	self locking nut m6 din 985	4
21	BS 531 000 600	washer m6 din 125	9
22	BS 511 000 641	bolt m6x45 din 931	1
23	BS 511 000 842	bolt m8x50 din 931	5
24	BE 412 731 600	maintenance meter	1
25	BS 512 000 616	bolt m6x16 din 933	5
26	BE 043 200 101	cable clamp	1
27	BK 152 251 800	cable clutch + emergency stop	1
28	BS 533 000 600	lock washer m6 din 127b	3
29	MPA 01 160 290	attaching part protection cardan shaft	1
30	BQ 501 060 090	sticker hook attachment	1
31	MPA 01 160 280	protection cardan shaft	1
32	MPA 01 160 120	support commander unit	1
33	BS 512 001 025	bolt m10x25 din 933	4
34	BA 566 007 502	pulley spb ii 75x70x20x5	1
35	BQ 505 010 070	safety sticker 100x80 (hand cuts)	1
36	BQ 505 010 050	safety sticker 60x100 (pictogram)	1
37	BS 512 001 030	bolt m10x30 din 933	4
38	BS 502 001 000	self locking nut m10 din 985	6
39	BS 554 100 820	bolt m8x20 din 603	8
40	MPA 01 160 130	weight support	1
41	MPA 01 160 030	left front roller	1
42	MPA 01 160 040	right front roller	1
43	MPA 01 160 110	chassis bracket	1
44	MPA 01 160 270	cover gear box	1
45	BR 000 910 340	rubber u-moulding 340mm	1
46	MPA 01 160 420	bearing cover	1
47	BQ 501 160 020	sticker eliet seeder combi 430x110	1
48	MPA 01 160 300	transmission guard	1



ELIET GZC 1000 -- TRANSMISSION						
NO	MMA 01 160 140	REV	1	DATE	2009/11/26	

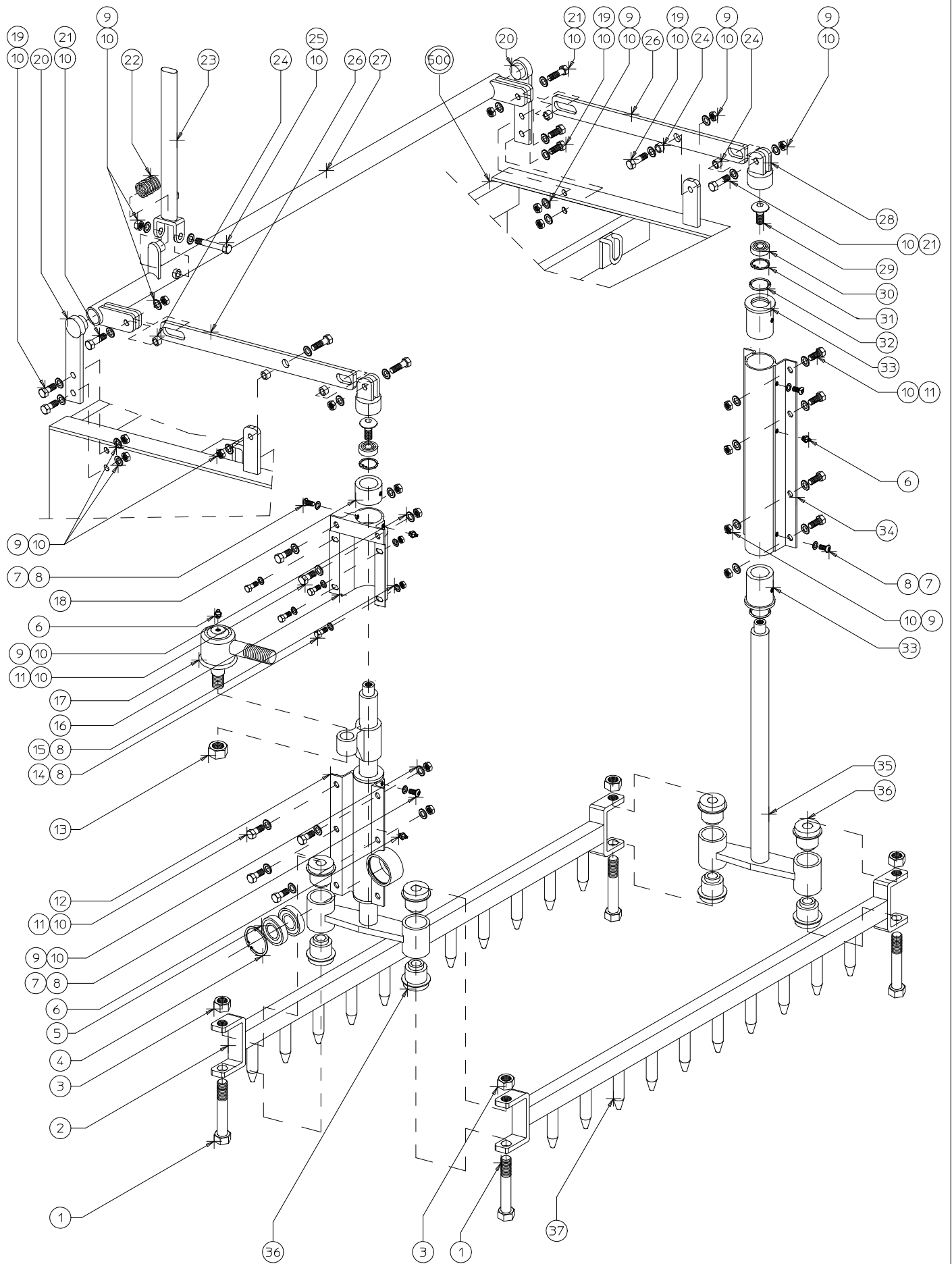
#	Order nr	article description	quantity
1	BS 502 001 000	self locking nut m10 din 985	1
2	BS 531 001 000	washer m10 din 125	1
3	BS 501 001 000	nut m10 din 934	2
4	MPA 01 160 200	support chain tightener	1
5	BA 161 013 001	sprocket simplex 3/8"x7/32" 13t	1
6	BB 120 050 400	locking 5x40 din 1481	1
7	BB 120 080 400	locking 8x40 din 1481	1
8	BA 101 182 020	chain simplex 3/8"x7/32" 182l	1
9	BA 151 200 000	connecting chain link simplex 3/8"x7/32"	1
10	BA 151 400 000	connecting chain link simplex (1/2) 3/8"x7/32"	1
11	BS 023 000 808	set screw m8x8 din 916	5
12	BA 161 033 251	sprocket simplex 3/8"x7/32" 33t	1
13	BB 341 080 730	key 8x7x30 din 6880	1
14	BS 512 001 041	bolt m10x45 din 933	1
15	MPA 01 160 260	spacer controller seed gate	1
16	BB 502 230 500	lock bush Ø20xm25 h-2305	2
17	BA 602 003 501	gear m2 35t h2305	1
18	BS 531 000 800	washer m8 din 125	6
19	BS 502 000 800	self locking nut m8 din 985	6
20	BL 801 102 001	bearing + flanges aspfl 204	3
21	BS 554 100 820	bolt m8x20 din 603	6
22	BB 341 060 916	key 6x9x16 din 6880	2
23	MPA 01 160 240	transmission shaft	1
24	BB 341 060 630	key 6x6x30 din 6880	2
25	BA 221 219 004	shaft connector	1
26	BY 100 106 200	grease fitting m6 45° din 71412	1
27	BB 503 150 250	trantorque Ø15/Ø25	1
28	MPA 01 160 250	shaft gear box	1
29	BA 602 004 801	gear m2 48t h2305	1
30	BS 512 000 820	bolt m8x20 din 933	2
31	BS 532 008 356	washer m8x35x3	2
32	BS 511 001 041	bolt m10x45 din 931	1
33	BS 511 000 635	bolt m6x35 din 931	3
34	BS 531 000 600	washer m6 din 125	6
35	BS 023 000 608	set screw m6x8 din 916	2
36	MPA 01 160 230	eccentric	1
37	MPA 01 160 220	cover plate eccentric	2
38	BR 900 000 320	bearing excentric	1
39	BS 502 000 600	self locking nut m6 din 985	3
40	BA 240 109 000	torque limiter (compl. unit)	1
41	BB 341 080 750	key 8x7x50 din 6880	1
42	BA 240 109 001	torque limiter -- ferrodo	2
43	BA 161 033 600	sprocket simplex 3/8"x7/32" 33t	1
44	BA 240 109 003	pressure disk -2.110g	3
45	MPA 01 160 210	spacer ring sprocket	2
46	BA 198 010 150	sprocket simplex 3/8"x7/32" 15t + bearing	2
47	BS 512 001 030	bolt m10x30 din 933	2



ELIET GZC 1000 -- SEED CONTAINER

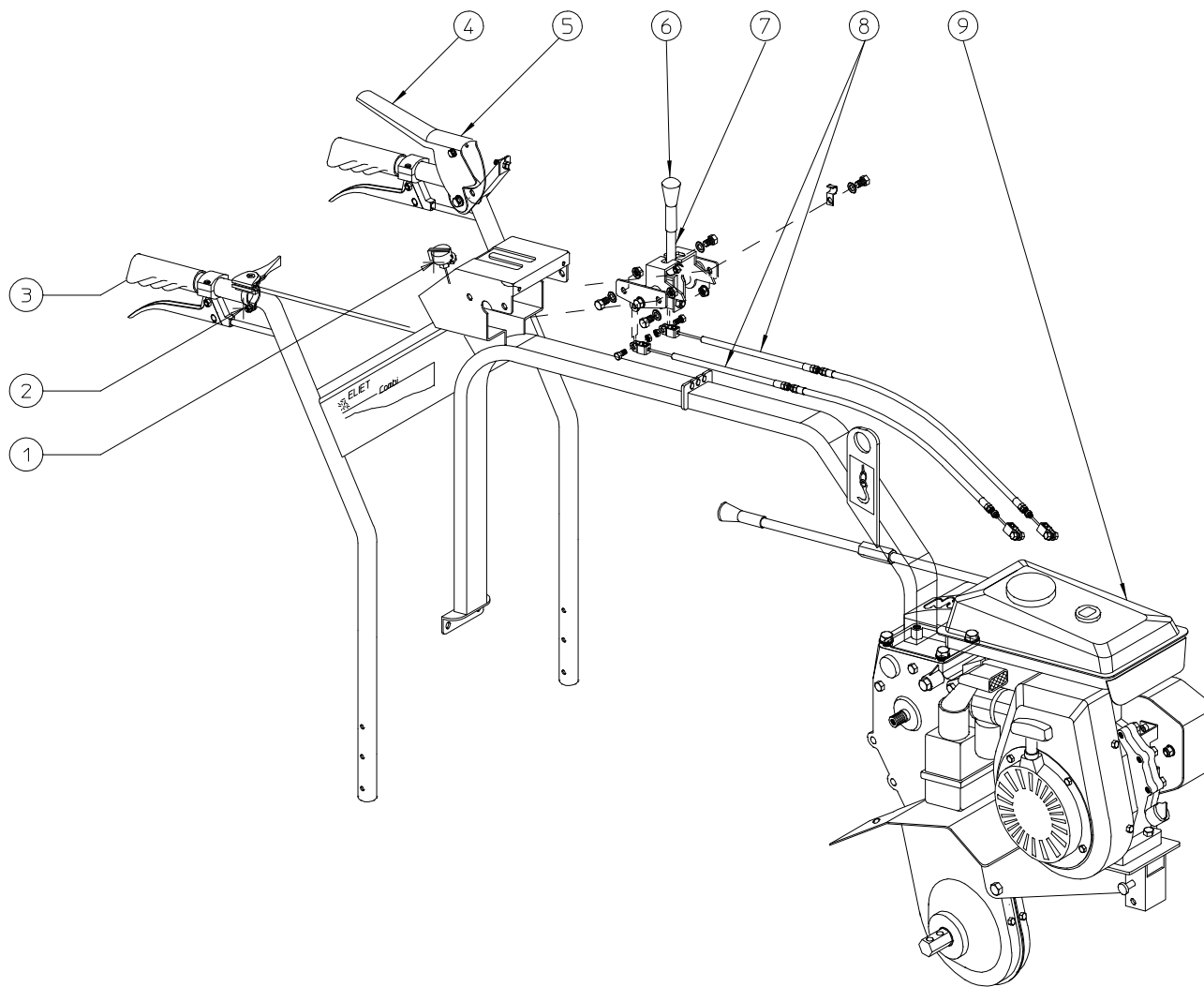
NO	MMA 01 160 120	REV	1	DATE	2009/11/26
----	----------------	-----	---	------	------------

#	Order nr	article description	quantity
1	BS 502 000 800	self locking nut m8 din 985	15
2	BS 581 000 825	stud m8x250 din 975	2
3	BS 531 000 800	washer m8 din 125	15
4	BV 911 000 010	spring 14x2x16	11
5	BS 522 501 025	screw m8x60 iso 7380	2
6	BR 112 100 600	nylon bushing with collar (10/13.5/25x6/2.5)	2
7	MPA 01 160 380	lever seed flow control	1
8	BN 230 100 400	rubber grip	1
9	BS 023 000 808	set screw m8x8 din 916	2
10	MPA 01 160 350	cover	1
11	BQ 501 160 020	sticker eliet seeder combi 430x110	1
12	BL 801 101 200	bearing + flanges aspfl 201	2
13	BS 554 100 616	bolt m6x16 din 603	8
14	MPA 01 160 330	mixer	1
15	BO 230 010 650	latch	2
16	BS 522 500 612	screw m6x12 iso 7380	2
17	MPA 01 160 390	plate for seed flow setting	2
18	BS 531 000 600	washer m6 din 125	14
19	BS 502 000 600	self locking nut m6 din 985	14
20	BS 531 001 000	washer m10 din 125	2
21	BS 502 001 000	self locking nut m10 din 985	2
22	BB 040 102 040	hairpin cotter 2mm din 11024	2
23	MPA 01 160 320	seed container	1
24	BS 512 000 835	bolt m8x35 din 933	7
25	MPA 01 160 360	valve	1
26	MPA 01 160 370	seed guide	1
27	BS 512 000 616	bolt m6x16 din 933	4
28	MPA 01 160 340	shaft mixer	1
29	BR 602 006 151	rubber bumper	4



ELIET GZC 1000 -- HARROW						
NO	MMA 01 160 130	REV	1	DATE	2009/11/26	

#	Order nr	article description	quantity
1	BS 511 001 449	bolt m14x90 din 931	4
2	MPA 01 160 100	harrow 11 teeth	1
3	BS 501 901 400	nut m14 din 439	4
4	BB 002 000 420	retaining ring 42 din 472	1
5	BL 002 004 203	bearing 6004 zz	2
6	BY 100 106 100	grease fitting m6 din 71412	4
7	BS 522 500 612	screw m6x12 iso 7380	5
8	BS 531 000 600	washer m6 din 125	13
9	BS 502 000 800	self locking nut m8 din 985	27
10	BS 531 000 800	washer m8 din 125	54
11	BS 512 000 820	bolt m8x20 din 933	16
12	MPA 01 160 060	bearing housing (right) complete	1
13	BS 500 041 600	self-locking nut m16 din 985	1
14	BS 512 000 620	bolt m6x20 din 933	4
15	BS 502 000 600	self locking nut m6 din 985	4
16	MPA 01 160 070	bearing housing (right)	1
17	BA 231 011 600	elastic joint m16	1
18	BR 910 000 090	nylon bushing	1
19	BS 512 000 825	bolt m8x25 din 933	6
20	MPA 01 160 160	bracket hinge depth control	2
21	BS 511 000 835	bolt m8x35 din 931	4
22	BV 916 000 010	spring 20x2,5x37	1
23	MPA 01 160 180	lever depth control	1
24	MPA 01 160 430	spacer bush	6
25	BS 511 000 844	bolt m8x60 din 931	1
26	MPA 01 160 150	bar depth control	2
27	MPA 01 160 170	bell crank depth control	1
28	MPA 01 160 140	twisting bracket	2
29	BS 522 501 025	screw m8x60 iso 7380	2
30	BL 001 002 603	bearing 6000 2z	2
31	BB 002 000 260	retaining ring 26 din 472	2
32	BH 802 024 300	o-ring Ø24.2 x 3	2
33	BR 910 000 080	nylon bushing	2
34	MPA 01 160 050	bearing housing (links)	1
35	MPA 01 160 080	t-shaft (left)	1
36	BR 601 130 200	vibration damper	8
37	MPA 01 160 090	harrow 10 teeth	1



ELIET GZC -- ENGINE UNIT & CONTROLS					
NO	MMA 01 160 110	REV	1	DATE	2009/11/26

#	Order nr	article description	quantity
1	KU 61592-55210	on-off switch	1
2	KU 00105-42920	throttle control handle	1
3	KU 00108-41420	hand grips	2
4	KU 00108-41630	clutch handle	1
5	KU 00109-42150	clutch handle	1
6	KU 00108-23270	grip lever belt tightener	1
7	KU 00109-42140	lever belt tightener	1
8	KU 00109-42210	cable coupling	2
9	BM 213 106 500	kubota engine-gearbox unit	1