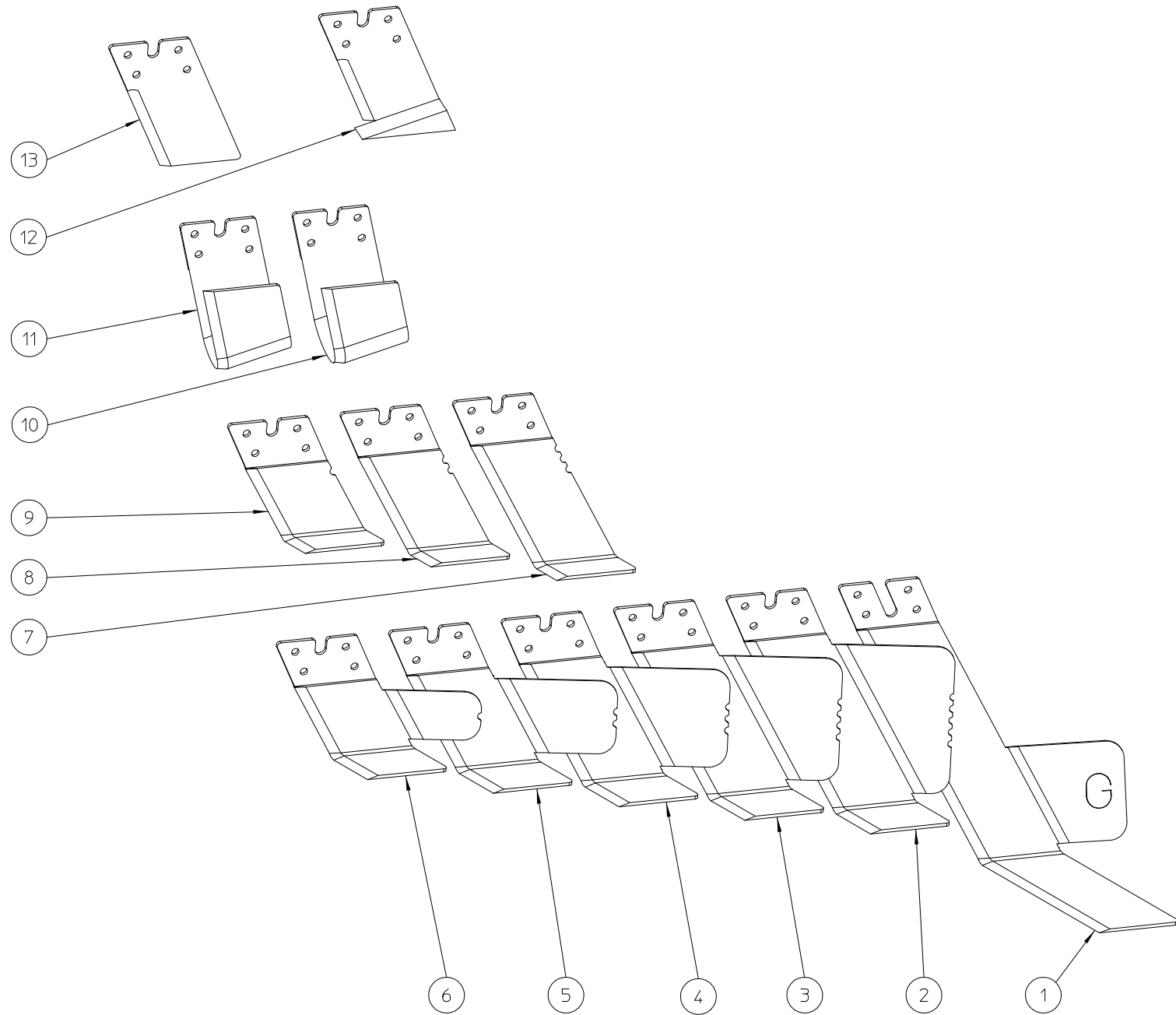


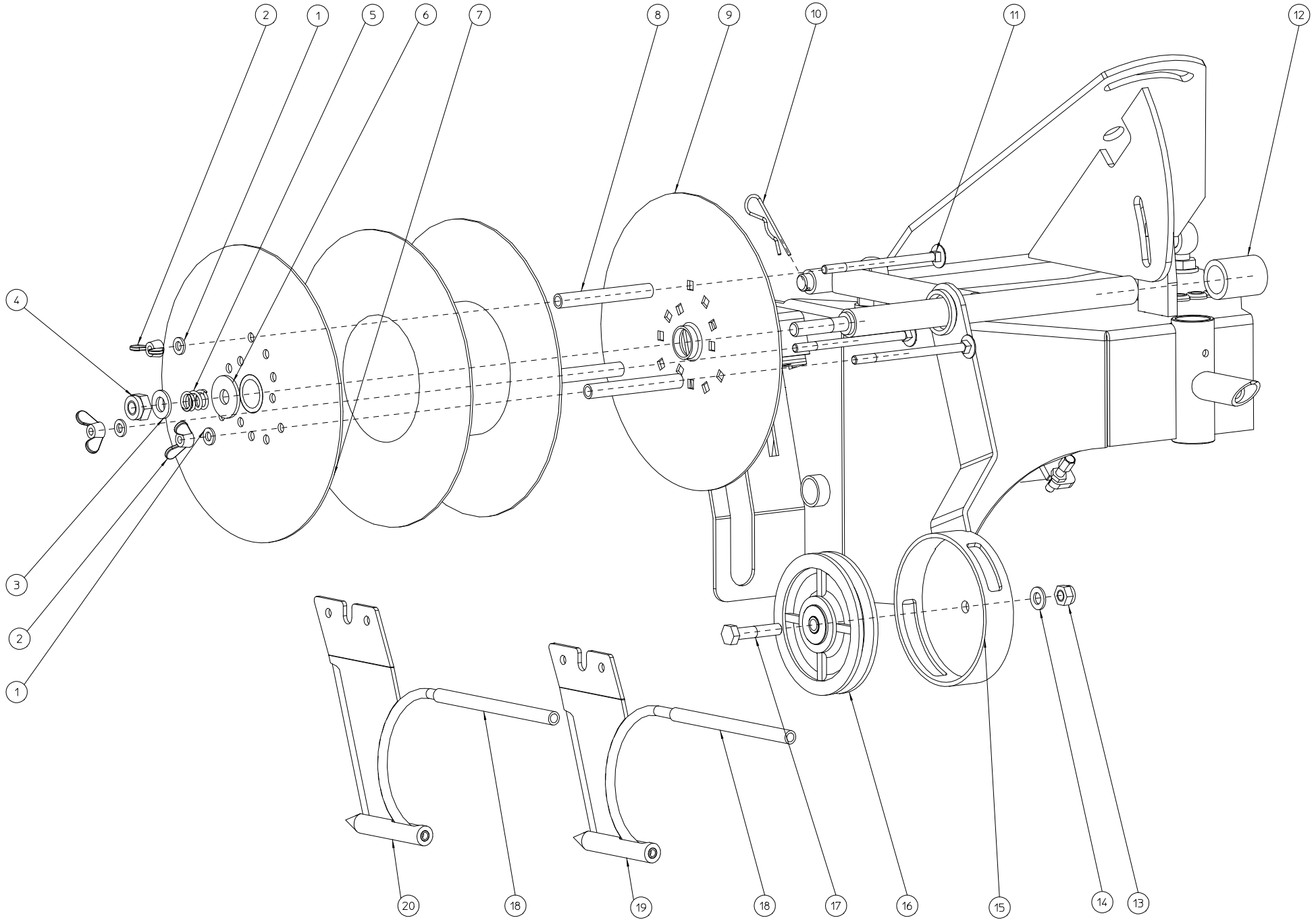
| ELIET EDGE STYLER PRO | | | | | |
|-----------------------|----------------|-----|---|------|------------|
| NO | MMA-01.121.100 | REV | 1 | DATE | 2009/08/26 |

| # | Order nr | article description | quantity |
|-----|----------------|---------------------|----------|
| 160 | MMA 01 121 160 | blade kit | 1 |
| 170 | MMA 01 121 170 | cable puller | 1 |



| | | | | | |
|---------------------------------|----------------|-----|---|------|------------|
| ELIET EDGE STYLER --- BLADE KIT | | | | | |
| NO | MMA-01.121.160 | REV | 1 | DATE | 2009/10/13 |

| # | Order nr | article description | quantity |
|----|----------------|----------------------------|----------|
| 1 | BU 104 103 400 | golf bunker knife | 1 |
| 2 | BU 104 100 500 | standard blade 10cm (vvvv) | 1 |
| 3 | BU 104 100 400 | standard blade 8cm (vvvv) | 1 |
| 4 | BU 104 100 300 | standard blade 4cm (vvv) | 1 |
| 5 | BU 104 100 200 | standard blade 4cm (vv) | 1 |
| 6 | BU 104 100 100 | standard blade 2cm (v) | 1 |
| 7 | BU 104 103 300 | angular blade 8cm (vvv) | 1 |
| 8 | BU 104 103 200 | angular blade 6cm (vv) | 1 |
| 9 | BU 104 103 100 | angular blade 4cm (v) | 1 |
| 10 | BU 104 102 200 | u-shaped blade 50mm | 1 |
| 11 | BU 104 102 100 | u-shaped blade 35mm | 1 |
| 12 | BU 104 104 100 | border knife | 1 |
| 13 | BU 104 101 100 | straight knife 10cm | 1 |



| ELIET EDGE STYLER -- CABLE PULLER | | | | | |
|-----------------------------------|----------------|-----|---|------|------------|
| NO | MMA-01.121.170 | REV | 1 | DATE | 2009/06/15 |

| # | Order nr | article description | quantity |
|----|----------------|---|----------|
| 1 | BS 531 000 600 | washer m6 din 125 | 3 |
| 2 | BS 504 500 600 | nut m8 din 315 | 3 |
| 3 | BS 531 001 000 | washer m10 din 125 | 1 |
| 4 | BS 502 001 011 | self locking nut m10x1.25 gr.10 din 985 | 1 |
| 5 | BV 911 000 010 | spring 14x2x16 | 1 |
| 6 | BS 532 010 305 | washer m10x30x2.5 | 1 |
| 7 | MPA 01 121 300 | flange bobbin front | 1 |
| 8 | MPA 01 121 290 | spacer bobbin | 3 |
| 9 | MPA 01 121 295 | flange bobbin back | 1 |
| 10 | BB 040 102 040 | hairpin cotter 2mm din 11024 | 1 |
| 11 | BS 554 000 650 | bolt m6x100 din 603 | 3 |
| 12 | BR 200 219 003 | sucking hose 19x35mm | 1 |
| 13 | BS 502 000 800 | self locking nut m8 din 985 | 1 |
| 14 | BS 531 000 800 | washer m8 din 125 | 1 |
| 15 | MPA 01 121 310 | support bobbin | 1 |
| 16 | BA 032 099 200 | cable roll 100mm | 1 |
| 17 | BS 511 000 840 | bolt m8x40 din 931 | 1 |
| 18 | BR 210 706 013 | hose 9.5x135mm | 2 |
| 19 | BU 104 104 202 | wire trenching 5cm | 1 |
| 20 | BU 104 104 203 | wire trenching 7cm | 1 |