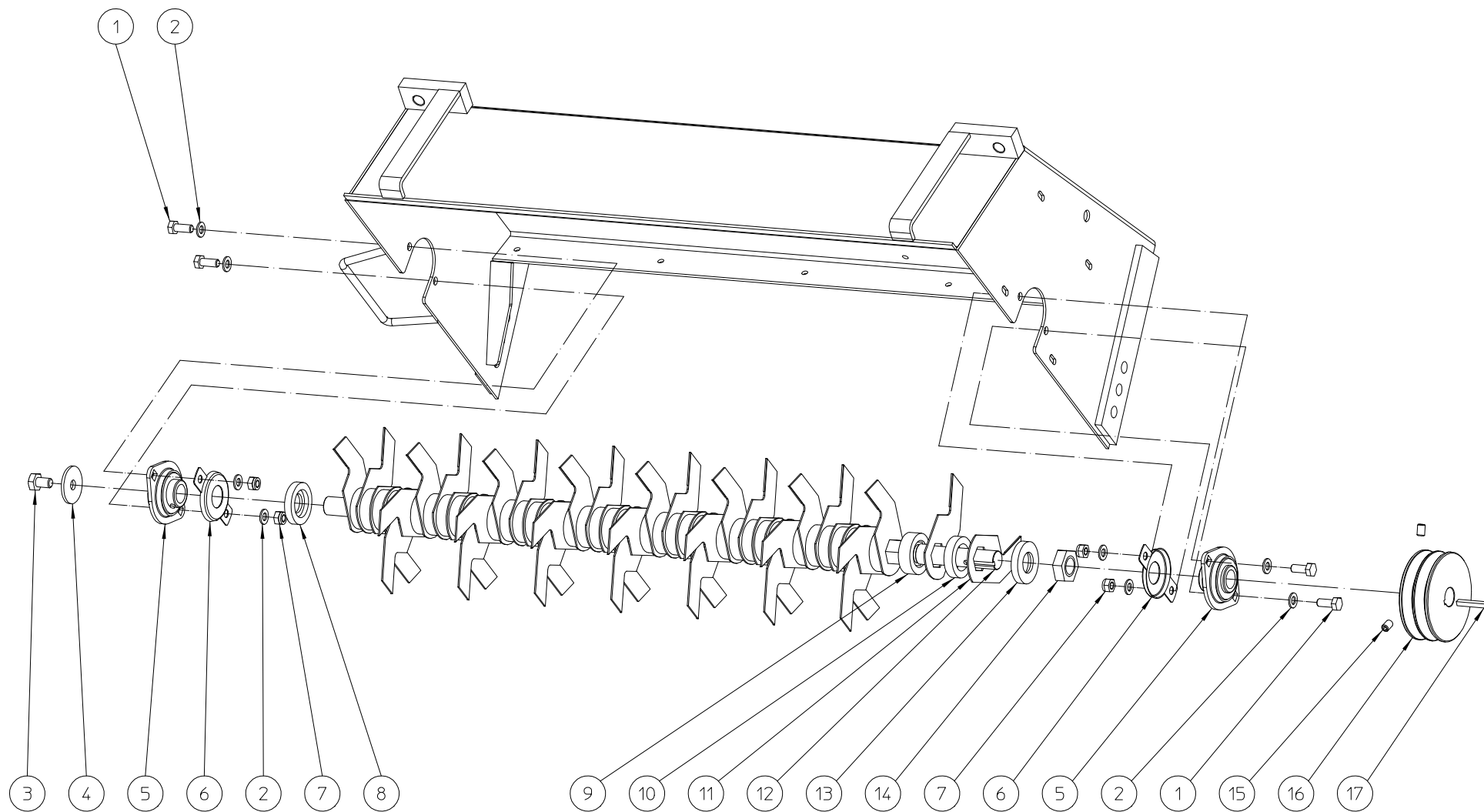


ELIET E750					
NO	MMA 01 100 100	REV	1	DATE	2009/03/11

#	Order nr	article description	quantity
1	BQ 501 010 030	sticker eliet 200x90	1
2	MPA 01 100 140	upper steering bracket	1
3	MPA 01 100 150	clutch handle	1
4	MPA 01 100 110	lower steering bracket	1
5	BV 910 000 010	rod	1
6	MPA 01 100 200	anti projection shield	1
7	MPA 01 100 210	fixing plate	2
8	BS 522 500 616	screw m6x16 iso 7380	6
9	BR 910 000 110	nylon guard attachment	1
10	BS 531 000 600	washer m6 din 125	27
11	BS 502 000 600	self locking nut m6 din 985	11
12	BS 511 000 641	bolt m6x45 din 931	4
13	BS 505 500 600	nut m6 din 1587	4
14	BB 001 000 100	retaining ring 10 din 471	2
15	BR 112 101 500	nylon bushing with collar (10/13/18x15/2)	4
16	BR 111 102 000	nylon bushing (10.3/15x20)	2
17	MPA 01 100 130	lever belt tightener	1
18	MPA 01 090 130	retainer	1
19	MPA 01 100 220	transmission guard	1
20	BS 512 000 616	bolt m6x16 din 933	9
21	BQ 505 010 070	safety sticker 100x80 (hand cuts)	1
22	BA 521 208 570	belt xpa 857	2
23	BS 511 001 250	bolt m12x100 din 931	2
24	BS 532 012 456	washer m12x45x3	2
25	BW 325 025 000	rear wheel alu 250/50-60 (e 501 pro)	2
26	MPA 01 090 290	rear wheel scraper	2
27	MPA 01 100 190	axle for rear wheel 61mm (e 501 pro)	2
28	BS 531 001 200	washer m12 din 125	4
29	BS 502 001 200	self locking nut m12 din 985	4
30	BS 512 001 016	bolt m10x16 din 933	2
31	BS 532 010 406	washer m10x40x3	2
32	BW 320 020 000	front wheel alu 200/50-60 (e 501 pro)	2
33	BB 040 102 040	hairpin cotter 2mm din 11024	2
34	BS 501 000 600	nut m6 din 934	4
35	MPA 01 100 290	front wheel axle	1
36	MPA 01 100 260	front wheel holder left	1
37	MMA 01 100 110	rotor fixed knives	1
38	BQ 501 100 010	sticker eliet e750 590x160	1
39	BQ 505 010 050	safety sticker 60x100 (pictogram)	1
40	BQ 505 010 040	safety sticker 60x100 (spark plug)	1
41	BQ 505 010 150	safety sticker 60x100 (distance)	1
42	MPA 01 100 270	chassis	1
43	MPA 01 100 250	front wheel holder right	1
44	BN 630 214 600	lob knob 189-60 m14x135	2
45	BS 502 001 400	self locking nut m14 din 985	4
46	MPA 01 090 260	locking handle	2
47	BV 909 000 030	spring	2
48	BQ 505 010 010	identity sticker ce 120x30	0
49	BS 501 901 200	nut m12 din 439	2
50	BS 551 101 242	eye bolt m12x50 din 444	2
51	BS 512 000 840	bolt m8x40 din 933	4
52	BS 502 000 800	self locking nut m8 din 985	4

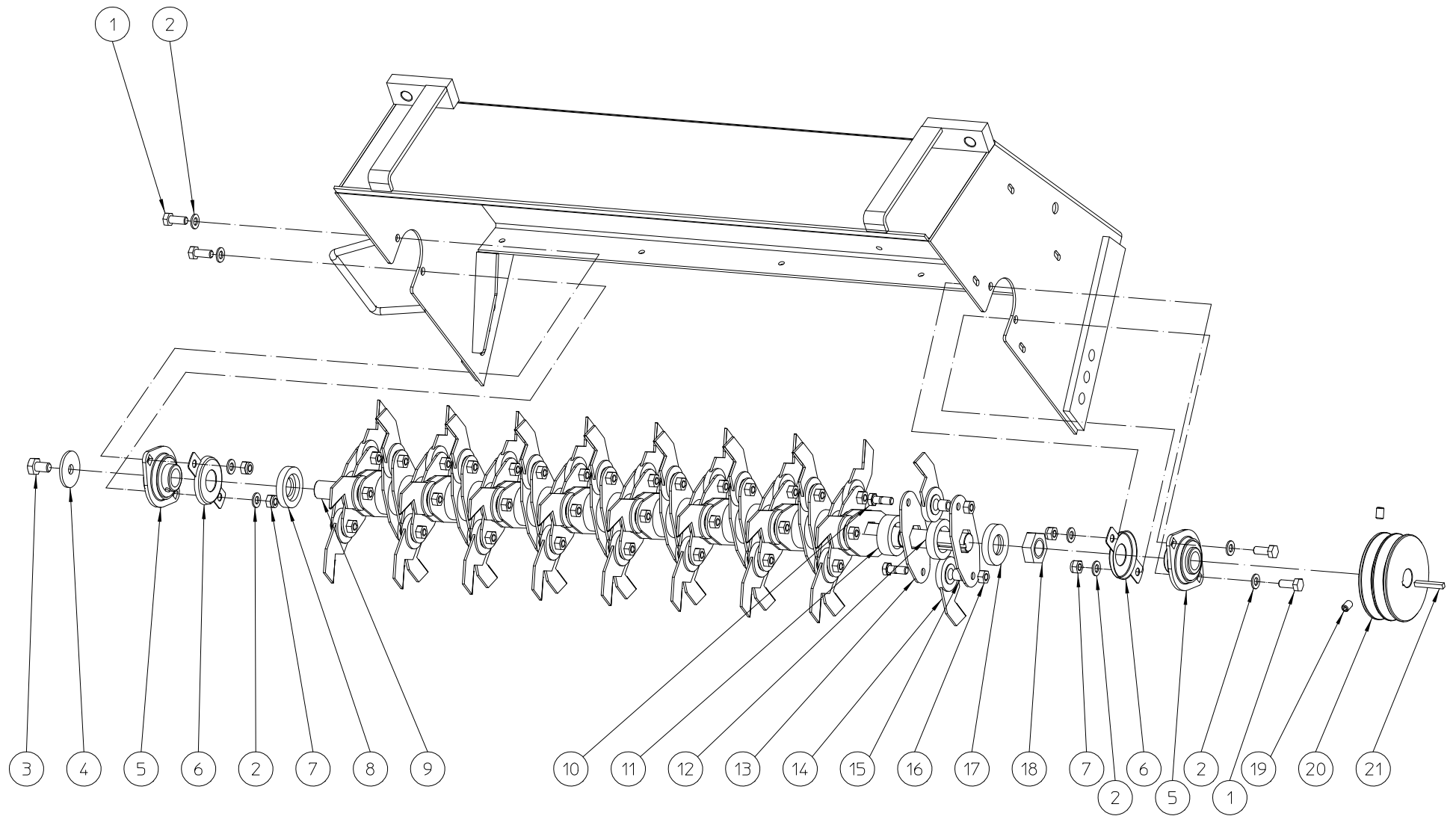
53	BS 531 000 800	washer m8 din 125	9
54	MPA 01 100 100	engine plate	1
55	BS 023 000 810	set screw m8x10 din 916	2
56	BA 565 707 102	pulley spa ii 71x1"x1/4" (engine)	1
57	MPA 01 100 280	belt catcher	1
58	BS 512 040 816	bolt unf 5/16"x5/8"	1
59	BS 533 000 800	lock washer m8 din 127b	1
60	BB 342 060 640	key 6.35x6.35x40 din 6880	1
61	BM 202 109 000	honda gx 270	1
62	BQ 505 010 030	sticker max 3200 rpm 90x25	1
63	BZ 201 100 010	manual e750	1



ELIET E750 --- ROTOR SHAFT DOUBLE CUT KNIVES

NO	MMA 01 100 130	REV	1	DATE	2006/07/06
----	----------------	-----	---	------	------------

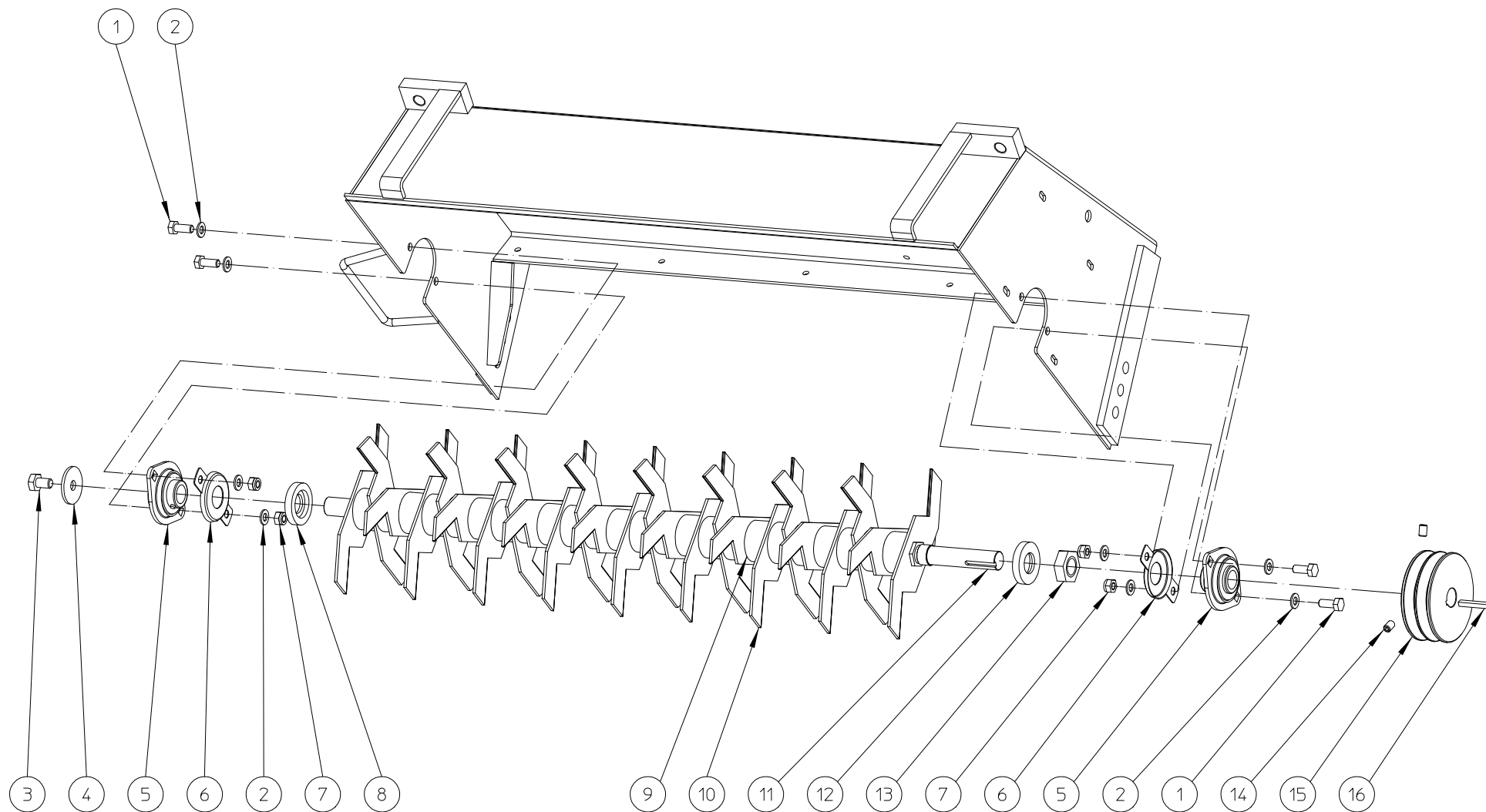
#	Order nr	article description	quantity
1	BS 512 000 820	bolt m8x20 din 933	4
2	BS 531 000 800	washer m8 din 125	8
3	BS 512 001 016	bolt m10x16 din 933	1
4	BS 532 010 305	washer m10x30x2.5	1
5	BL 801 102 002	bearing + flanges ucpfl 204	2
6	MPA 01 010 010	bearing protection cover 204	2
7	BS 502 000 800	self locking nut m8 din 985	4
8	MPA 01 090 520	connection ring for blades 20x45x8mm	1
9	BR 111 291 410	nylon bushing (28.5/44x14)	42
10	BR 111 291 010	nylon bushing (28.5/44x10)	2
11	BU 402 300 103	set of double cut knives (45)	1
12	MPA 01 100 500	blade shaft	1
13	MPA 01 090 510	connection ring for blades 22x45x8mm	1
14	BS 501 902 200	nut m22x1.50 din 439	1
15	BS 023 000 810	set screw m8x10 din 916	2
16	BA 565 709 002	pulley spa ii 90x20x5 (rotor)	1
17	BB 341 050 535	key 5x5x35 din 6880	1



ELIET E750 -- ROTOR SHAFT LOOSE KNIVES

NO	MMA 01 100 120	REV	1	DATE	2006/07/06
----	----------------	-----	---	------	------------

#	Order nr	article description	quantity
1	BS 512 000 820	bolt m8x20 din 933	4
2	BS 531 000 800	washer m8 din 125	8
3	BS 512 001 016	bolt m10x16 din 933	1
4	BS 532 010 305	washer m10x30x2.5	1
5	BL 801 102 002	bearing + flanges ucpfl 204	2
6	MPA 01 010 010	bearing protection cover 204	2
7	BS 502 000 800	self locking nut m8 din 985	4
8	MPA 01 090 520	connection ring for blades 20x45x8mm	1
9	MPA 01 100 500	blade shaft	1
10	BS 011 000 822	bolt m8x22 din 931	48
11	BR 111 291 410	nylon bushing (28.5/44x14)	23
12	BR 111 291 010	nylon bushing (28.5/44x10)	24
13	MPA 01 090 530	bracket for loose blade	48
14	BU 402 200 103	set of loose knives with bush (48)	1
15	MPA 01 090 540	bush loose blade	0
16	BS 501 000 800	nut m8 din 934	48
17	MPA 01 090 510	connection ring for blades 22x45x8mm	1
18	BS 501 902 200	nut m22x1.50 din 439	1
19	BS 023 000 810	set screw m8x10 din 916	2
20	BA 565 709 002	pulley spa ii 90x20x5 (rotor)	1
21	BB 341 050 535	key 5x5x35 din 6880	1



ELIET E750 -- ROTOR SHAFT FIXED KNIVES

NO	MMA 01 100 110	REV	1	DATE	2006/07/06
----	----------------	-----	---	------	------------

#	Order nr	article description	quantity
1	BS 512 000 820	bolt m8x20 din 933	4
2	BS 531 000 800	washer m8 din 125	8
3	BS 512 001 016	bolt m10x16 din 933	1
4	BS 532 010 305	washer m10x30x2.5	1
5	BL 801 102 002	bearing + flanges ucpfl 204	2
6	MPA 01 010 010	bearing protection cover 204	2
7	BS 502 000 800	self locking nut m8 din 985	4
8	MPA 01 090 520	connection ring for blades 20x45x8mm	1
9	BR 111 292 510	nylon bushing (28.5/44x25)	24
10	BU 402 100 202	set of fixed knives (25)	1
11	MPA 01 100 500	blade shaft	1
12	MPA 01 090 510	connection ring for blades 22x45x8mm	1
13	BS 501 902 200	nut m22x1.50 din 439	1
14	BS 023 000 810	set screw m8x10 din 916	2
15	BA 565 709 002	pulley spa ii 90x20x5 (rotor)	1
16	BB 341 050 535	key 5x5x35 din 6880	1