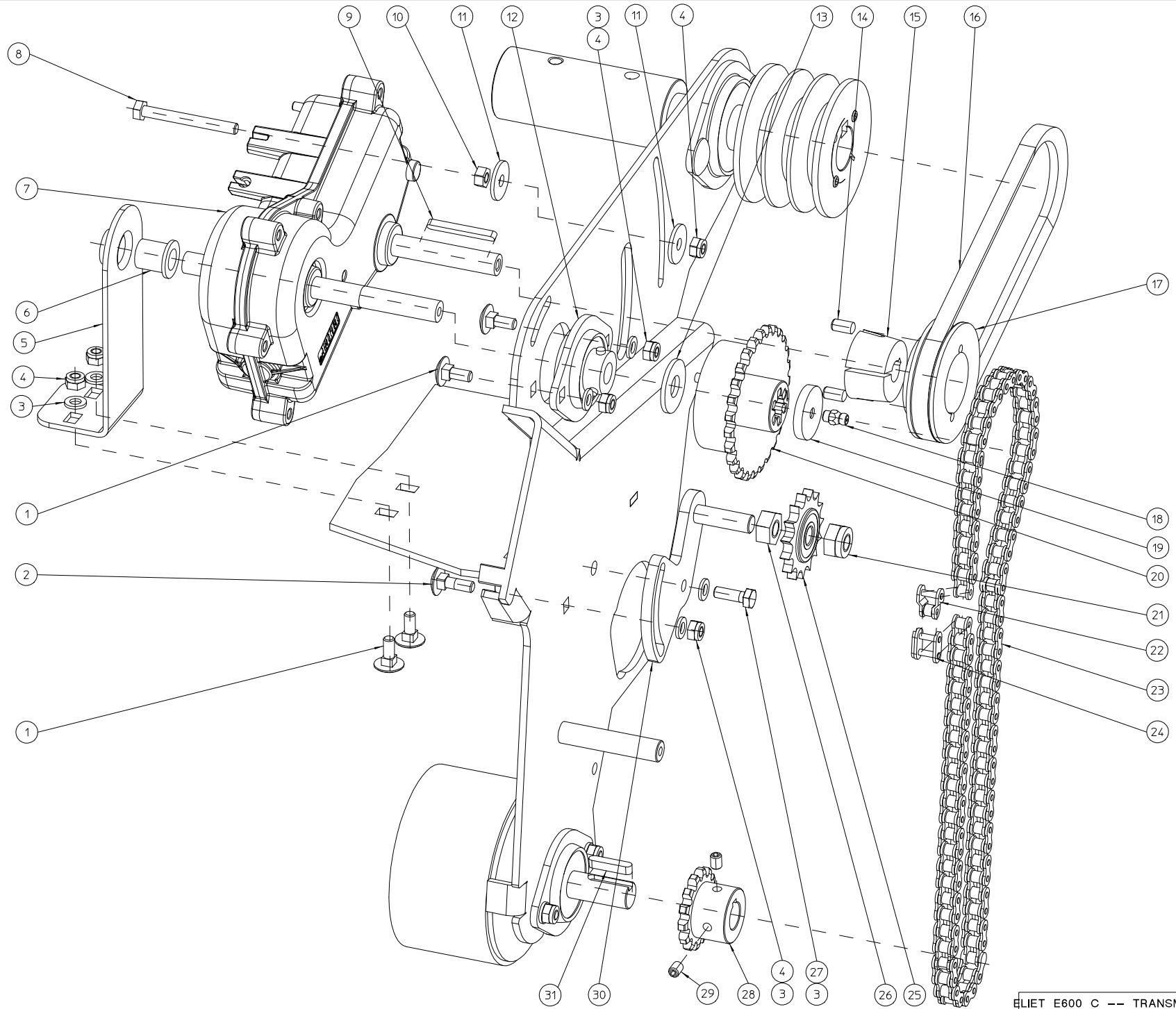


ELIET E600 C --- GENERAL

NO	MMA 01 350 100	REV	1	DATE	2014/01/30
----	----------------	-----	---	------	------------

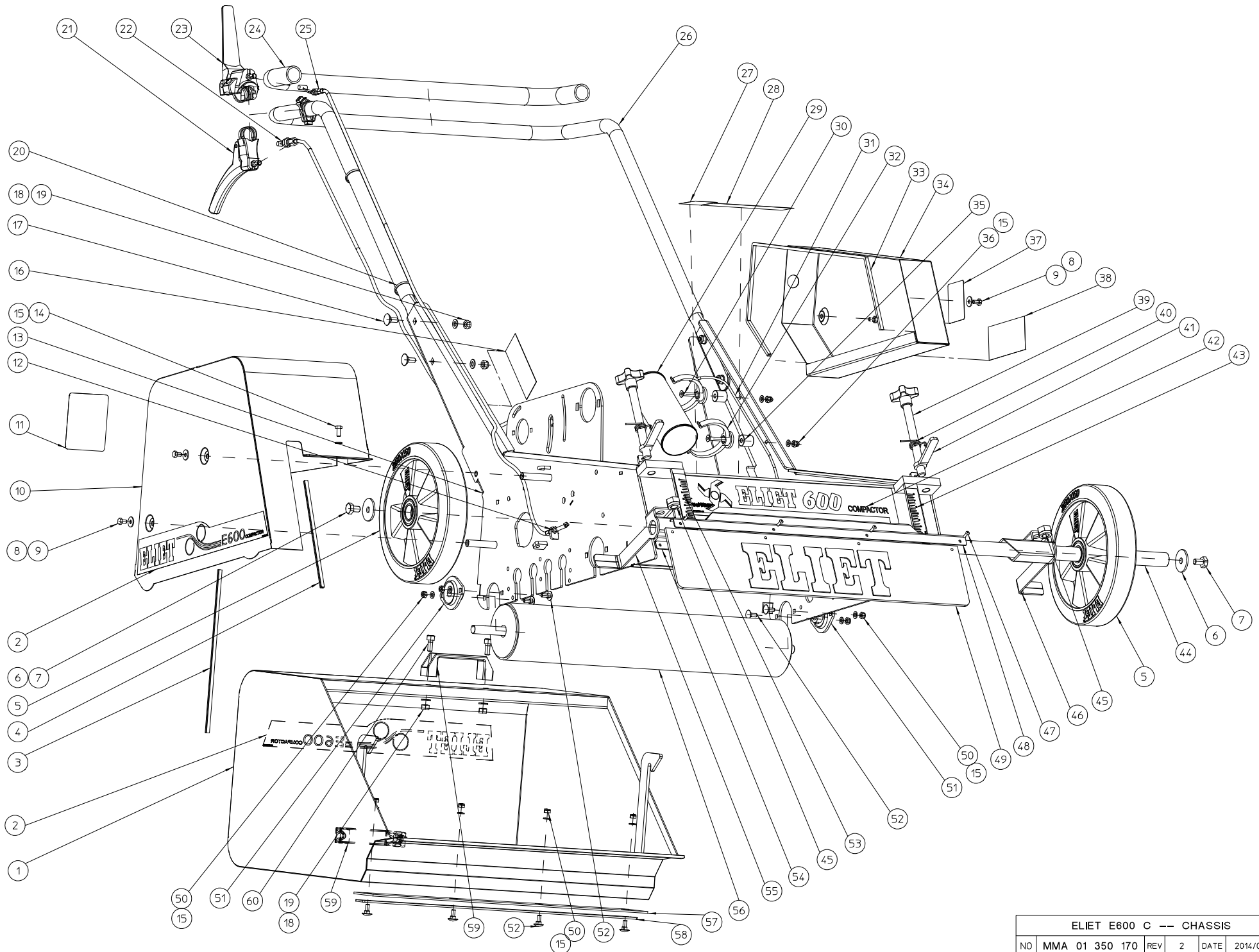
#	Order nr	article description	quantity
501	MMA 01 350 130	transmission pinch roll	1
502	MMA 01 350 170	frame	1
503	MMA 01 350 150	hinged transfer rolls	1
504	MMA 01 350 120	transmission bladeshaft	1
505	MMA 01 350 160	transmission conveyor	1
506	MMA 01 350 110	transmission bladeshaft	1
507	MMA 01 350 140	fixed transfer rolls	1



ELIET E600 C -- TRANSMISSION PULLING ROL

NO	MMA 01 350 130	REV	1	DATE	2014/01/30
----	----------------	-----	---	------	------------

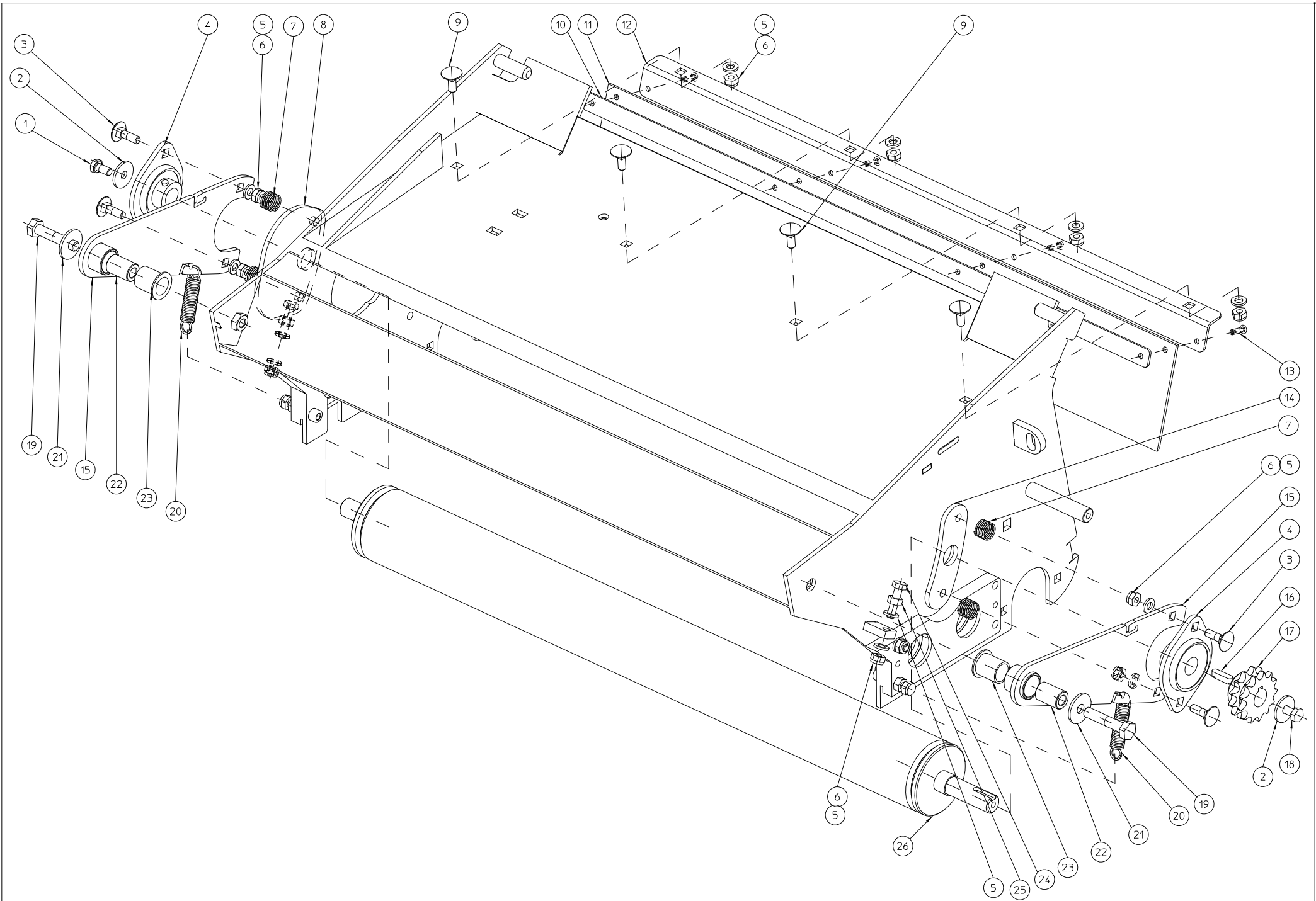
#	Order nr	article description	quantity
1	BS 554 100 616	bolt m6x16 din 603	4
2	BS 554 100 620	bolt m6x20 din 603	1
3	BS 531 000 600	washer m6 din 125	6
4	BS 502 000 600	self locking nut m6 din 985	6
5	MPA 01 350 135	support gear box	1
6	BR 112 121 900	nylon bushing with collar (12/16/21x19/2)	1
7	BA 670 405 405	reduction gearboxes e600 compactor	1
8	BS 512 000 643	bolt m6x55 din 933	1
9	BB 351 040 440	key 4x4x40 din 6885a	1
10	BS 501 000 600	nut m6 din 934	1
11	BS 532 006 224	washer m6x22x2	2
12	BL 801 101 200	bearing + flanges aspfl 201	1
13	BR 910 000 730	nylon washer 2,5x12,3x30	1
14	BB 501 306 130	set screw 1/4"x1/2"	2
15	BB 501 111 200	taper lock tl 1108-12	1
16	BA 521 404 870	belt z 487	1
17	BA 561 706 310	pulley spz 63 tl1108	1
18	BY 100 106 100	grease fitting m6 din 71412	1
19	MPA 01 350 130	clamp ring	1
20	BA 161 027 289	sprocket simplex 3/8"x7/32" 27t + clutch mechanism	1
21	BS 502 001 000	self locking nut m10 din 985	1
22	BA 151 400 000	connecting chain link simplex (1/2) 3/8"x7/32"	1
23	BA 101 081 020	chain simplex 3/8"x7/32" 81l	1
24	BA 151 200 000	connecting chain link simplex 3/8"x7/32"	1
25	BA 198 010 150	sprocket simplex 3/8"x7/32" 15t + bearing	1
26	BS 501 001 000	nut m10 din 934	1
27	BS 512 000 618	bolt m6x18 din 933	1
28	BA 161 014 151	sprocket simplex 3/8"x7/32" 14t	1
29	BS 023 000 608	set screw m6x8 din 916	2
30	MPA 01 350 055	support chain tightener	1
31	BB 351 050 525	key 5x5x25 din 6885a	1



ELIET E600 C -- CHASSIS					
NO	MMA 01 350 170	REV	2	DATE	2014/01/30

#	Order nr	article description	quantity
1	MPA 01 350 155	container	1
2	BQ 501 170 020	sticker eliet 468x72	2
3	BR 000 910 300	rubber u-moulding 300mm	1
4	BR 000 910 200	rubber u-moulding 200mm	1
5	BW 325 025 000	rear wheel alu 250/50-60 (e 501 pro)	2
6	BS 532 010 406	washer m10x40x3	2
7	BS 512 001 016	bolt m10x16 din 933	2
8	BS 532 006 183	washer m6x18x1.5	4
9	BS 512 000 610	bolt m6x10 din 933	4
10	MPA 01 350 050	protection transmission	1
11	BQ 505 010 130	safety sticker 100x80 (belt transmission)	1
12	BS 501 900 600	nut m6 din 439	1
13	MPA 01 350 020	frame	1
14	BS 512 000 614	bolt m6x14 din 933	2
15	BS 531 000 600	washer m6 din 125	12
16	BQ 505 010 010	identity sticker ce 120x30	1
17	BS 554 100 820	bolt m8x20 din 603	4
18	BS 531 000 800	washer m8 din 125	8
19	BS 502 000 800	self locking nut m8 din 985	8
20	BE 043 010 140	wrap tie 140x3.5	2
21	BN 332 500 350	control handle	1
22	BK 153 181 220	control cable tractionroll	1
23	BN 332 500 140	control handle	1
24	BN 231 002 077	soft rubber grip dia 25mm (l=775mm)	1
25	BK 153 181 460	control cable drive knives	1
26	MPA 01 350 140	pushbracket above	1
27	BQ 505 112 098	sticker sound level 98 db	1
28	BQ 505 010 171	safety sticker 70x115 (pictogram)	1
29	BX 900 110 010	spray can 400 ml chain	1
30	BS 522 100 641	screw m6x45 din 7991	2
31	BH 646 060 040	hose blue 600 mm	1
32	BT 653 006 300	clam 63mm	2
33	BR 000 910 790	rubber u-moulding 790mm	1
34	MPA 01 350 045	protection rolltransmission	1
35	BR 111 200 600	nylon bushing (6.5/20x20)	2
36	BS 505 800 600	nut m6 din 986	2
37	BQ 505 010 370	safety sticker 70x56 (belt transmission)	1
38	BQ 501 010 020	sticker eliet 130x60	1
39	BN 630 214 600	lob knob 189-60 m14x135	2
40	BV 909 000 030	spring	2
41	MPA 01 090 260	locking handle	2
42	BQ 501 170 010	sticker eliet 445x80	1
43	BQ 501 170 040	sticker depth setting right	1
44	MPA 01 350 120	wheelshaft	1
45	BS 502 001 400	self locking nut m14 din 985	2
46	MPA 01 350 105	support height control left	1
47	BB 221 104 140	pop plug alu 3.9x14 din 7337 a	4
48	MPA 01 350 115	support rubberflapper	1
49	BR 900 001 610	rubberflap - eliet e600 compactor	1
50	BS 502 000 600	self locking nut m6 din 985	8
51	BL 801 101 500	bearing + flanges aspfl 202	2
52	BS 554 100 616	bolt m6x16 din 603	8

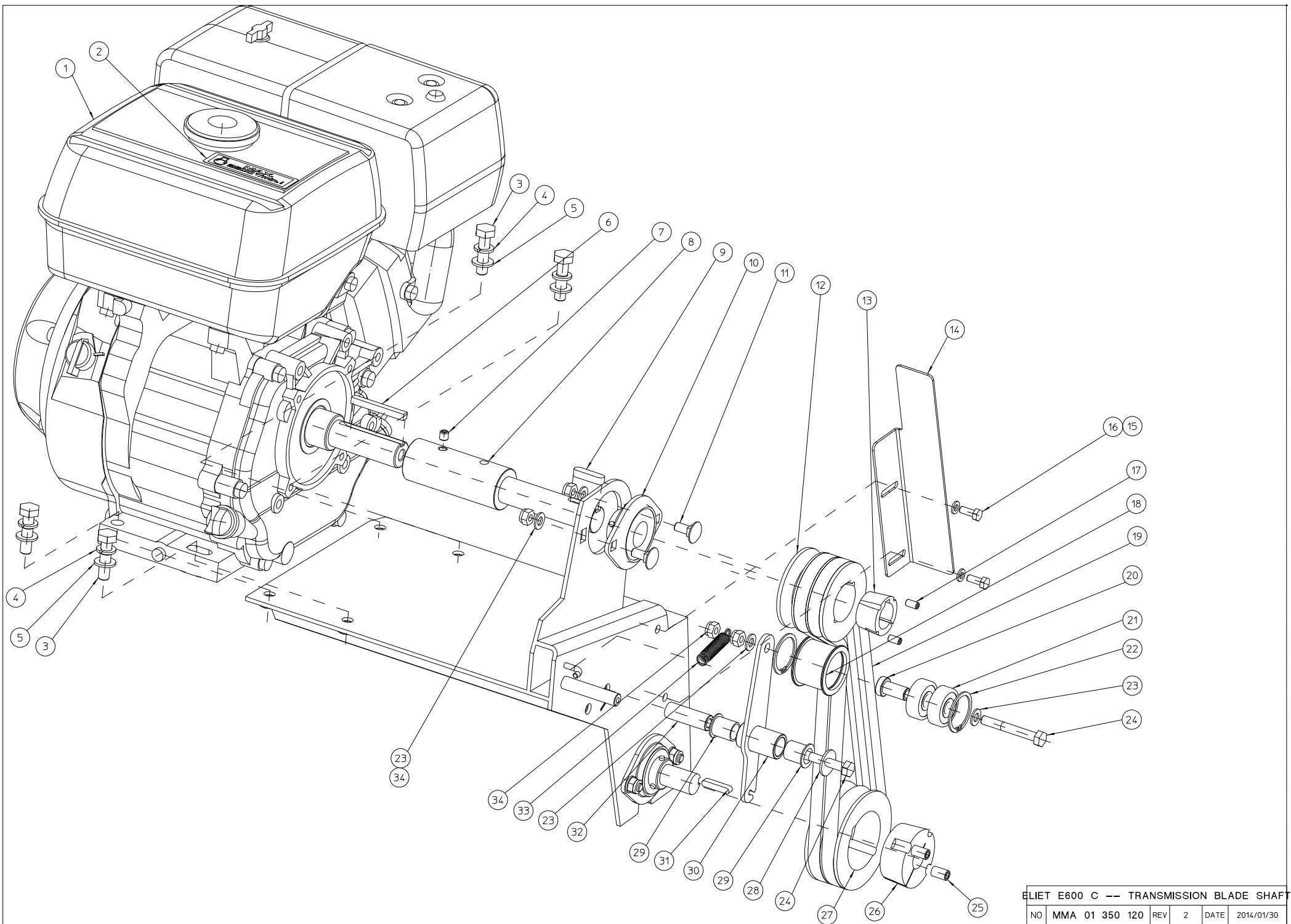
53	BQ 501 170 030	sticker depth setting left	1
54	MPA 01 350 110	support flapper	1
55	MPA 01 350 100	support height control right	1
56	MPA 01 350 060	tractionroll	1
57	BR 910 000 740	nylon scraper 70x3x560	1
58	MPA 01 350 245	clampprofile scraper tractionroll	1
59	BN 230 300 100	grip	2
60	BS 521 100 820	screw m8x20 din 912	4



ELIET E600 C -- HINGED TRANSPORT ROLLS

NO	MMA 01 350 150	REV	2	DATE	2014/01/30
----	----------------	-----	---	------	------------

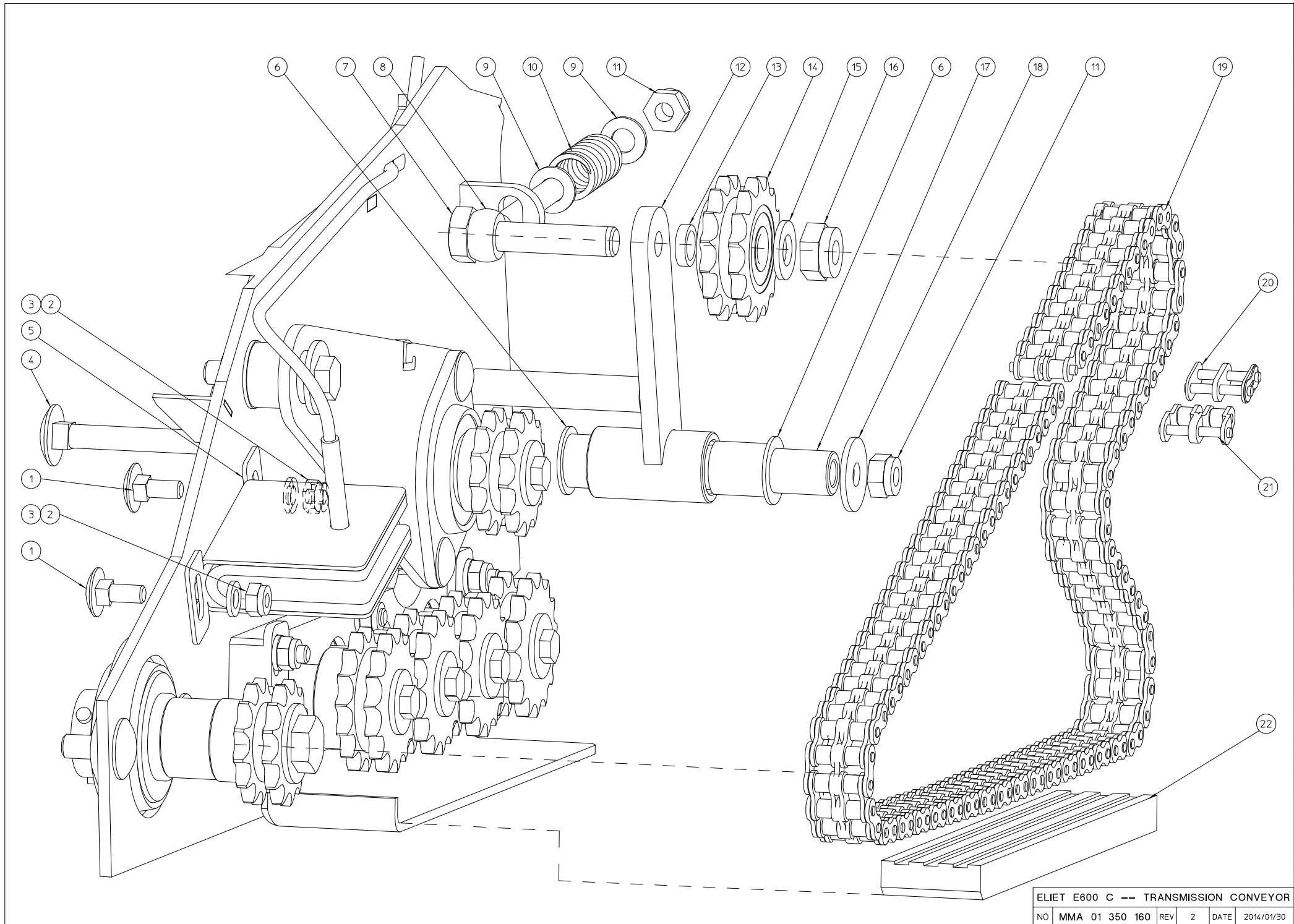
#	Order nr	article description	quantity
1	BS 512 070 612	bolt din 933 m6x12	1
2	BS 532 006 224	washer m6x22x2	2
3	BS 554 100 620	bolt m6x20 din 603	4
4	BL 801 101 500	bearing + flanges aspfl 202	2
5	BS 531 000 600	washer m6 din 125	12
6	BS 502 000 600	self locking nut m6 din 985	10
7	BV 902 030 010	compression spring	4
8	BR 910 000 700	cover plate right	1
9	BS 554 100 616	bolt m6x16 din 603	4
10	MPA 01 350 110	support flapper	1
11	BR 910 000 720	ertalon plate	1
12	MPA 01 350 230	supportangle ertalonplate	1
13	BB 221 104 140	pop plug alu 3.9x14 din 7337 a	4
14	BR 910 000 710	cover plate left	1
15	MPA 01 350 185	support articulated roll	2
16	BB 351 050 520	key 5x5x20 din 6885a	1
17	BA 172 013 151	sprocket duplex 3/8"x7/32" 13t	1
18	BS 512 000 612	bolt m6x12 din 933	1
19	BS 511 000 840	bolt m8x40 din 931	2
20	BV 011 311 005	spring 1,3x11x55	2
21	BS 532 008 254	washer m8x25x2	2
22	MPA 01 350 175	hingering pinchroll	2
23	BR 112 152 100	nylon bushing with collar (15.4/18/23x21/1)	2
24	BS 512 000 625	bolt m6x25 din 933	2
25	BS 501 000 600	nut m6 din 934	2
26	MPA 01 350 200	articulated roll	1



ELIET E600 C -- TRANSMISSION BLADE SHAFT

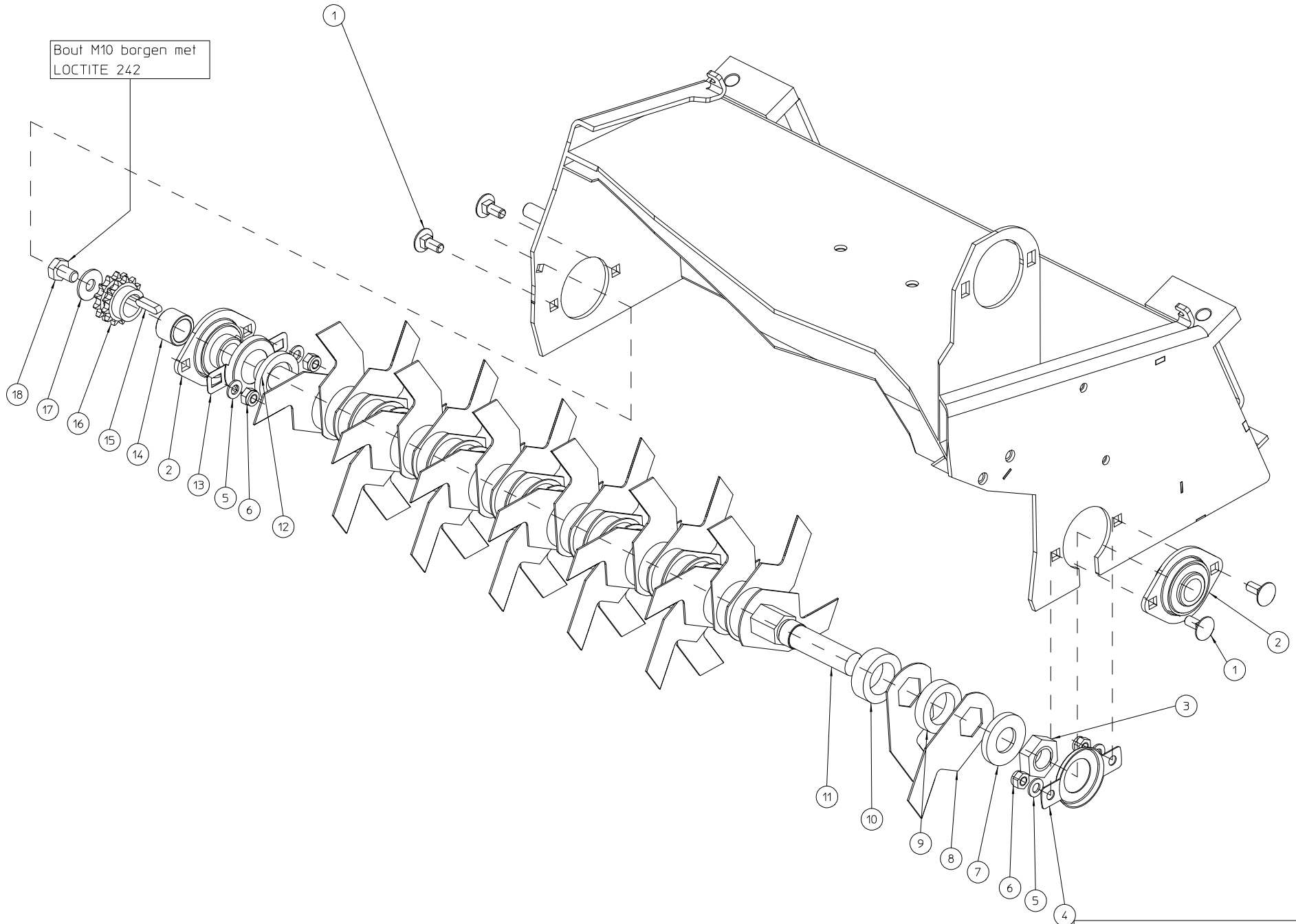
NO	MMA 01 350 120	REV	2	DATE	2014/01/30
----	----------------	-----	---	------	------------

#	Order nr	article description	quantity
1	BM 202 109 000	honda gx 270	1
2	BQ 505 010 020	sticker max 2800 rpm 90x25	1
3	BS 511 001 040	bolt m10x40 din 931	4
4	BS 533 001 000	lock washer m10 din 127b	4
5	BS 531 001 000	washer m10 din 125	4
6	BB 342 060 657	key 6.35x6.35x57 din 6880	1
7	BS 023 000 808	set screw m8x8 din 916	1
8	MPA 01 350 125	extention engineshaft	1
9	BB 351 080 732	key 8x7x32 din 6885a	1
10	BL 801 102 500	bearing + flanges aspfl 205	1
11	BS 554 100 820	bolt m8x20 din 603	2
12	BA 562 707 130	pulley spa iii 71 tl1108	1
13	BB 501 112 500	taper lock tl 1108-25	1
14	MPA 01 350 190	belt catcher	1
15	BS 531 000 600	washer m6 din 125	2
16	BS 512 000 616	bolt m6x16 din 933	2
17	BB 501 306 130	set screw 1/4"x1/2"	2
18	MPA 01 350 030	pressure roller belt tightener	1
19	BA 527 708 380	belt 4l 330	2
20	MPA 01 350 040	spacer belt tightener galvanized	1
21	BL 001 203 703	bearing 6301 2rz	2
22	BB 002 000 370	retaining ring 32 din 472	2
23	BS 531 000 800	washer m8 din 125	4
24	BS 511 000 844	bolt m8x60 din 931	2
25	BB 501 310 160	set screw 3/8"x5/8"	2
26	BB 501 132 000	taper lock tl 1610-20	1
27	BA 562 709 021	pulley spa ii 90 tl1610	1
28	BS 532 008 254	washer m8x25x2	1
29	BR 112 152 100	nylon bushing with collar (15.4/18/23x21/1)	2
30	MPA 01 350 025	support pressure roller	1
31	BB 351 060 630	key 6x6x30 din 6885a	1
32	MPA 01 350 035	thumb belt tightener	1
33	BV 011 011 005	spring 1x11x55	1
34	BS 502 000 800	self locking nut m8 din 985	4



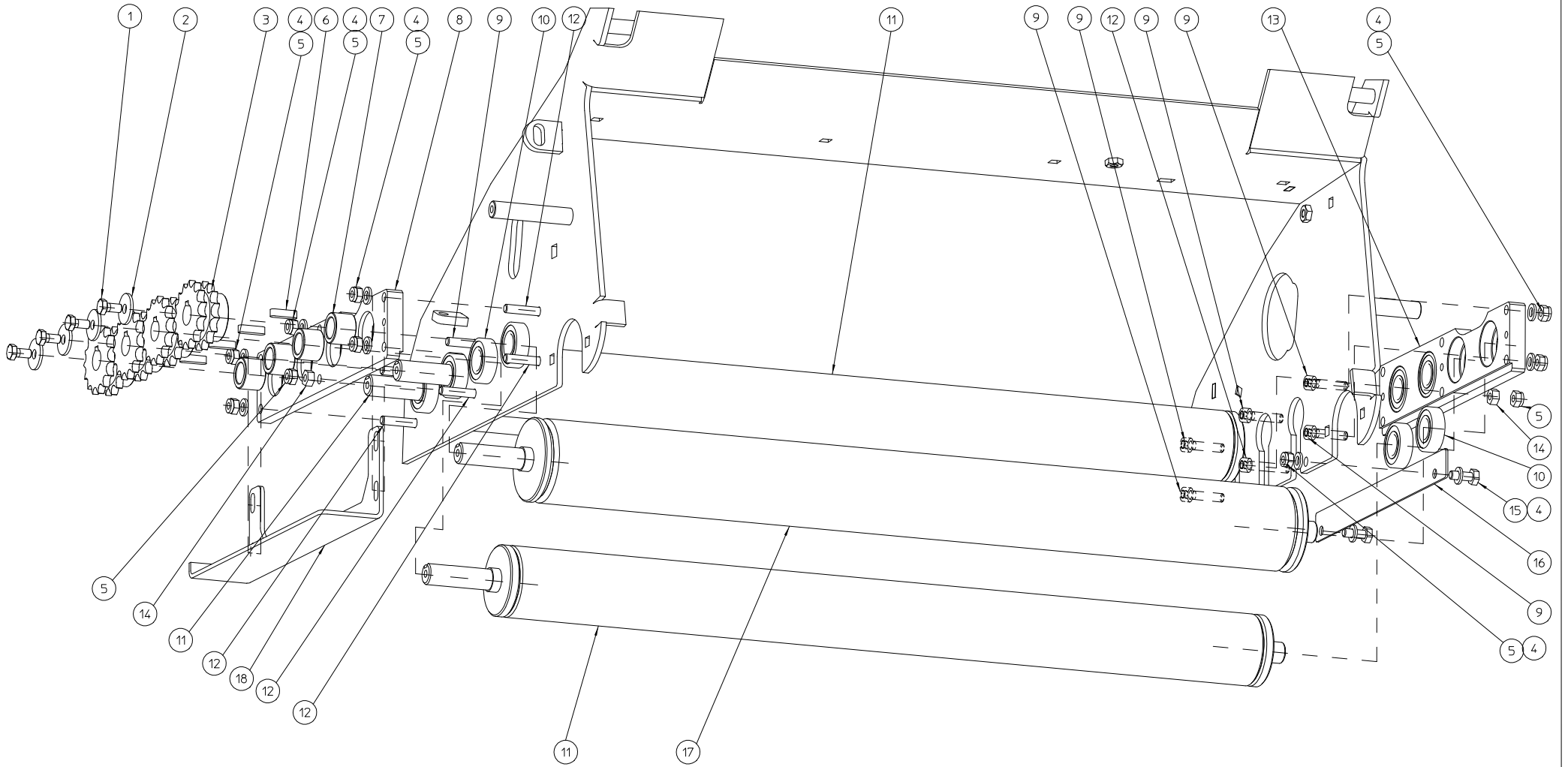
#	Order nr	article description	quantity
1	BS 554 100 616	bolt m6x16 din 603	2
2	BS 502 000 600	self locking nut m6 din 985	2
3	BS 531 000 600	washer m6 din 125	2
4	BS 554 100 844	bolt m8x60 din603	1
5	MPA 01 350 240	piece lubricate chain	1
6	BR 112 152 100	nylon bushing with collar (15.4/18/23x21/1)	2
7	BS 512 001 042	bolt m10x50 din 933	1
8	BS 851 000 848	eye bolt m8x80 din 444	1
9	BS 531 000 800	washer m8 din 125	2
10	BV 012 014 535	spring	1
11	BS 502 000 800	self locking nut m8 din 985	2
12	MPA 01 350 165	support chaintension roller	1
13	MPA 01 350 160	spacer chain tightener	1
14	BA 198 050 150	sprocket duplex 3/8"x7/32" 15t + bearing	1
15	BS 531 001 000	washer m10 din 125	1
16	BS 502 001 000	self locking nut m10 din 985	1
17	MPA 01 350 035	thumb belt tightener	1
18	BS 532 008 254	washer m8x25x2	1
19	BA 102 099 020	chain duplex 3/8"x7/32" 99l	1
20	BA 152 200 000	connecting chain link duplex 3/8"x7/32"	1
21	BA 152 400 000	connecting chain link duplex (1/2) 3/8"x7/32"	1
22	BR 910 000 750	chain catcher 205x35x12	1

Bout M10 borgen met
LOCTITE 242



ELIET E600 C -- BLADE SHAFT					
NO	MMA 01 350 110	REV	2	DATE	2014/01/30

#	Order nr	article description	quantity
1	BS 554 100 820	bolt m8x20 din 603	4
2	BL 801 102 002	bearing + flanges ucpfl 204	2
3	BS 501 902 200	nut m22x1.50 din 439	1
4	MPA 01 010 010	bearing protection cover 204	1
5	BS 531 000 800	washer m8 din 125	4
6	BS 502 000 800	self locking nut m8 din 985	4
7	MPA 01 350 070	support disc ring blades	1
8	BU 102 300 100	double cut blade e501 / e750	36
9	BR 111 291 010	nylon bushing (28.5/44x10)	1
10	BR 111 291 410	nylon bushing (28.5/44x14)	34
11	MPA 01 350 065	blade shaft	1
12	MPA 01 350 075	support disc ring blades	1
13	MPA 01 350 255	protection plate bearing	1
14	MPA 01 350 080	spacer chain wheel	1
15	BB 351 060 625	key 6x6x25 din 6885a	1
16	BA 172 013 201	sprocket duplex 3/8"x7/32" 13t	1
17	BS 532 010 274	washer m10x27x2	1
18	BS 512 001 016	bolt m10x16 din 933	1



#	Order nr	article description	quantity
1	BS 512 070 612	bolt din 933 m6x12	4
2	BS 532 006 224	washer m6x22x2	4
3	BA 172 015 150	sprocket duplex 3/8"x7/32" 15t	4
4	BS 531 000 600	washer m6 din 125	14
5	BS 502 000 600	self locking nut m6 din 985	14
6	BB 351 050 520	key 5x5x20 din 6885a	4
7	MPA 01 350 225	spacer chain wheel	4
8	MPA 01 350 220	bearingblock left	1
9	BS 521 100 625	screw m6x25 din 912	6
10	BL 001 503 203	bearing 6002 zz	8
11	MPA 01 350 180	inputroll	3
12	BS 521 100 630	screw m6x30 din 912	6
13	MPA 01 350 215	bearingblock right	1
14	BS 501 000 600	nut m6 din 934	2
15	BS 512 000 616	bolt m6x16 din 933	2
16	MPA 01 350 210	sealingplate right	1
17	MPA 01 350 195	pinch roll	1
18	MPA 01 350 235	support chain catcher	1