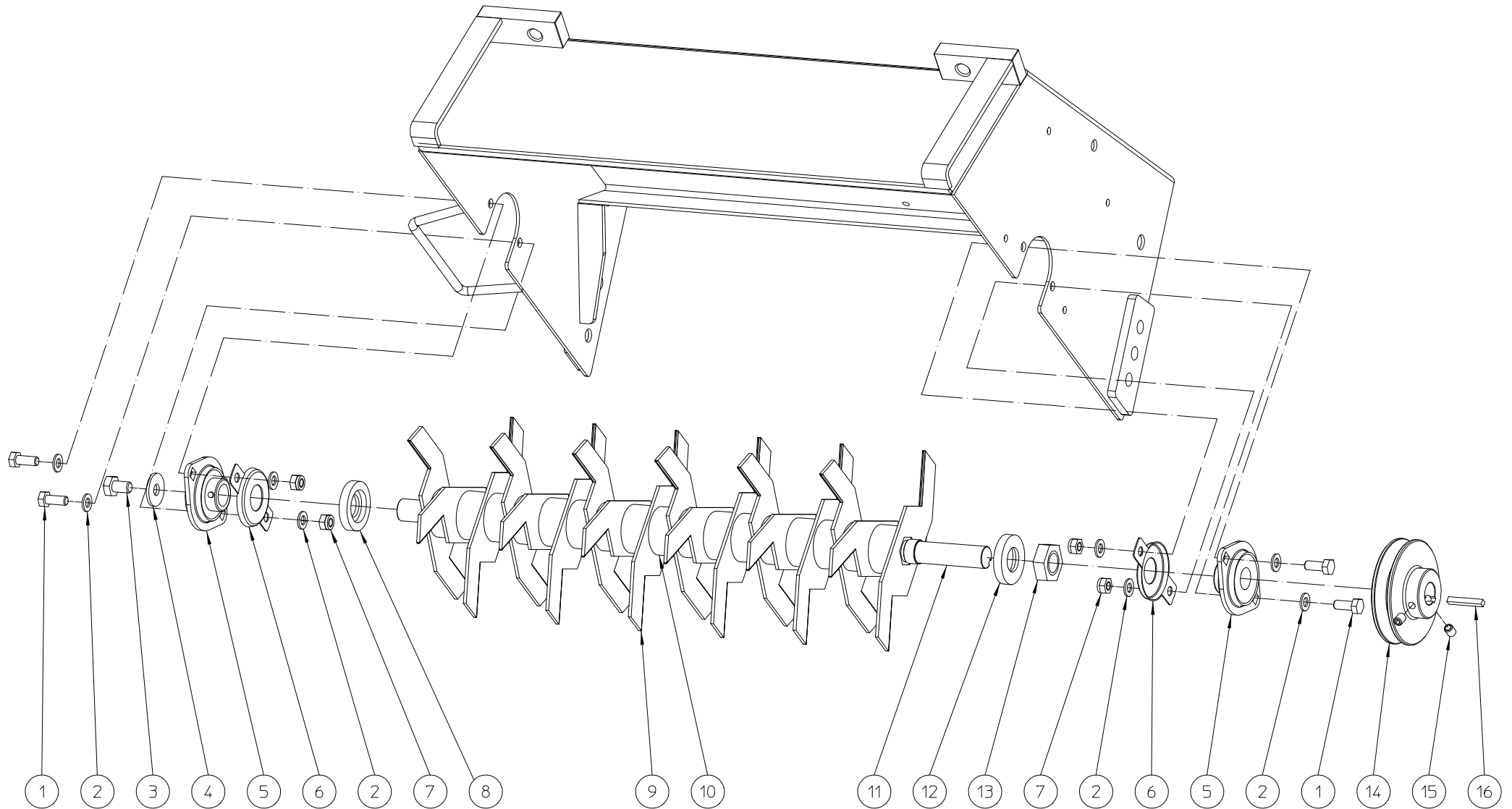


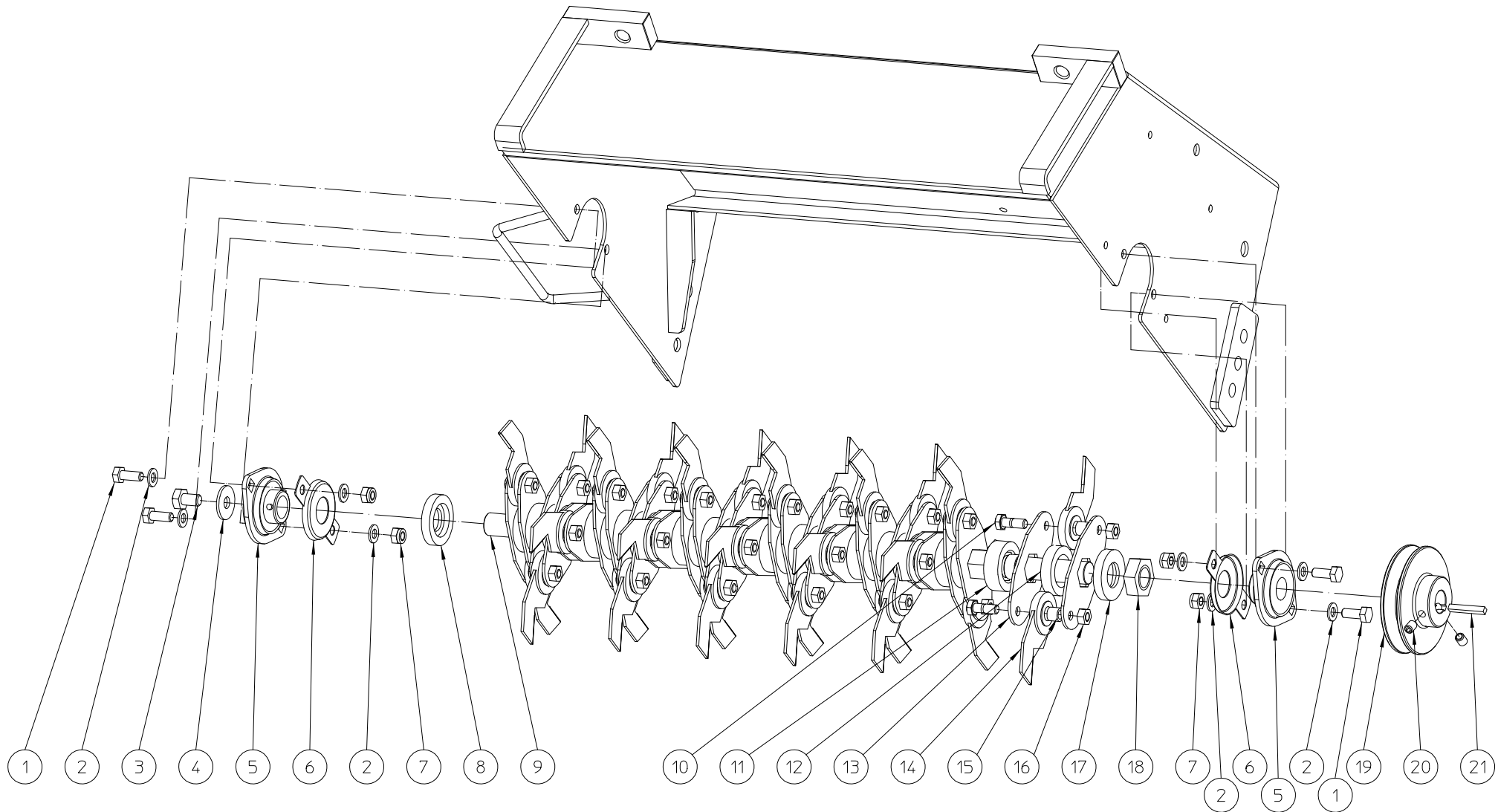
ELIET E 501 -- GENERAL								
NO	MMA	01	090	100	REV	2	DATE	2014/12/02

#	Order nr	article description	quantity
110	MMA 01 090 110	rotor fixed knives	1
170	MMA 01 090 170	standard	1
180	MMA 01 090 180	steer	1
190	MMA 01 090 190	stickers	1



ELIET E501 -- ROTOR SHAFT FIXED KNIVES				
NO	MMA 01 090 110	REV	1	DATE 2006/07/06

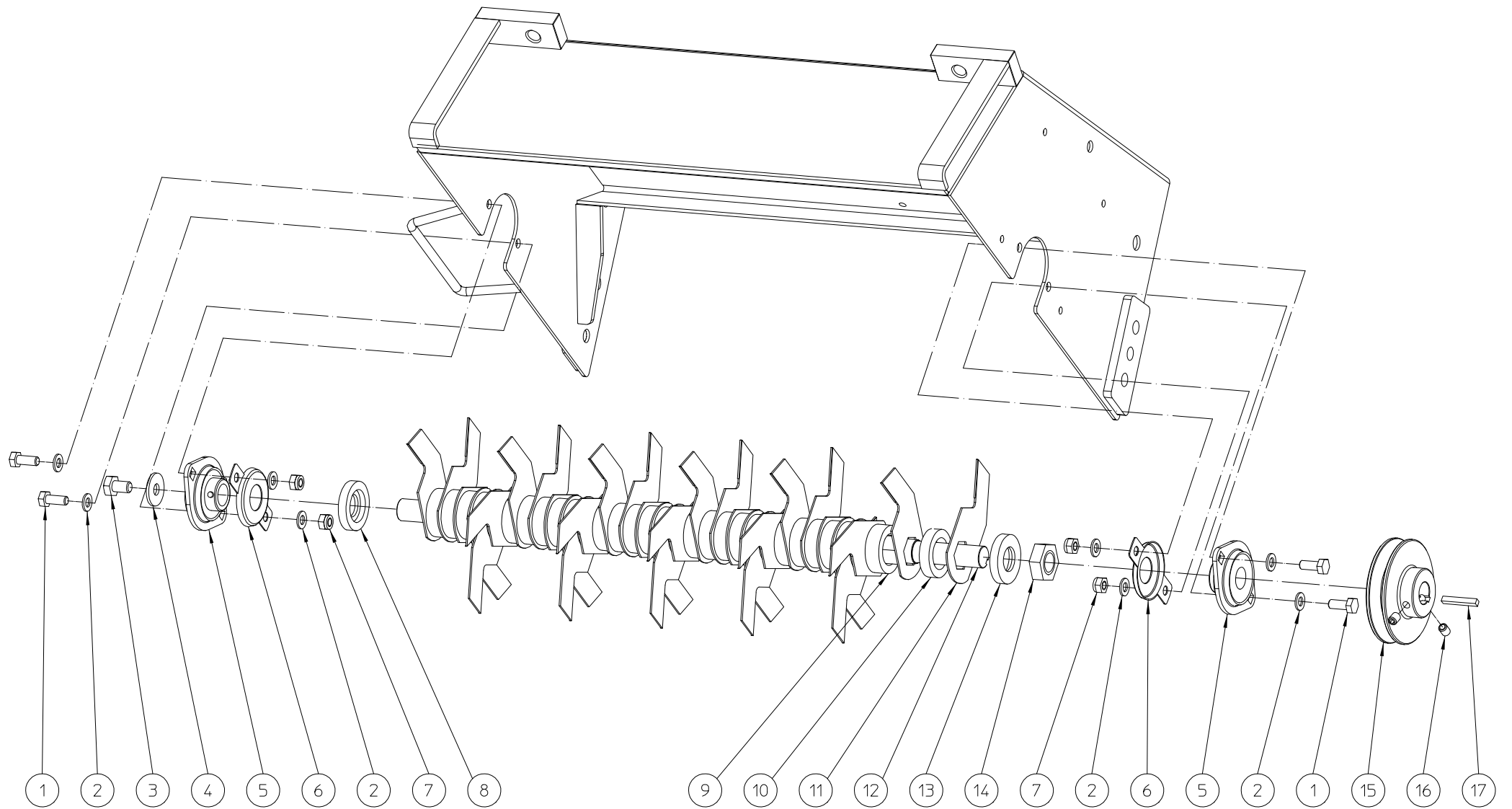
#	Order nr	article description	quantity
1	BS 512 000 820	bolt m8x20 din 933	4
2	BS 531 000 800	washer m8 din 125	8
3	BS 512 001 016	bolt m10x16 din 933	1
4	BS 532 010 305	washer m10x30x2.5	1
5	BL 801 102 001	bearing + flanges aspf1 204	2
6	MPA 01 010 010	bearing protection cover 204	2
7	BS 502 000 800	self locking nut m8 din 985	4
8	MPA 01 090 520	connection ring for blades 20x45x8mm	1
9	BU 402 100 201	set of fixed knives (18)	1
10	BR 111 292 510	nylon bushing (28.5/44x25)	17
11	MPA 01 090 500	blade shaft	1
12	MPA 01 090 510	connection ring for blades 22x45x8mm	1
13	BS 501 902 200	nut m22x1.50 din 439	1
14	BA 565 709 001	pulley spa 90x20x5 (rotor)	1
15	BS 023 000 810	set screw m8x10 din 916	2
16	BB 341 050 535	key 5x5x35 din 6880	1



ELIET E501 -- ROTOR SHAFT LOOSE KNIVES

NO	MMA 01 090 120	REV	1	DATE	2006/07/06
----	----------------	-----	---	------	------------

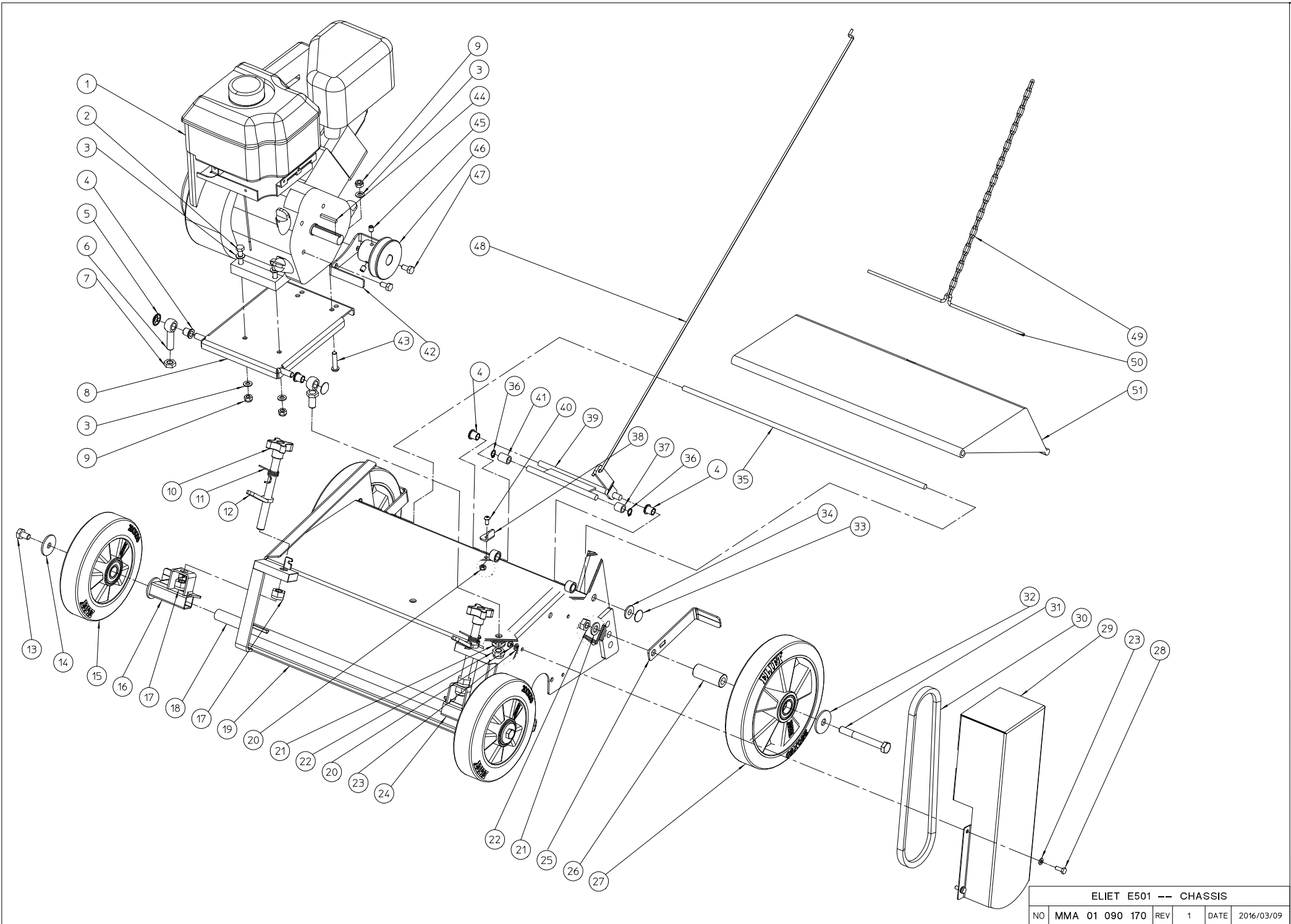
#	Order nr	article description	quantity
1	BS 512 000 820	bolt m8x20 din 933	4
2	BS 531 000 800	washer m8 din 125	8
3	BS 512 001 016	bolt m10x16 din 933	1
4	BS 532 010 305	washer m10x30x2.5	1
5	BL 801 102 001	bearing + flanges aspfl 204	2
6	MPA 01 010 010	bearing protection cover 204	2
7	BS 502 000 800	self locking nut m8 din 985	4
8	MPA 01 090 520	connection ring for blades 20x45x8mm	1
9	MPA 01 090 500	blade shaft	1
10	BS 011 000 822	bolt m8x22 din 931	34
11	BR 111 291 410	nylon bushing (28.5/44x14)	16
12	BR 111 291 010	nylon bushing (28.5/44x10)	17
13	MPA 01 090 530	bracket for loose blade	34
14	BU 402 200 102	set of loose knives with bush (34)	1
15	MPA 01 090 540	bush loose blade	0
16	BS 501 000 800	nut m8 din 934	34
17	MPA 01 090 510	connection ring for blades 22x45x8mm	1
18	BS 501 902 200	nut m22x1.50 din 439	1
19	BA 565 709 001	pulley spa 90x20x5 (rotor)	1
20	BS 023 000 810	set screw m8x10 din 916	2
21	BB 341 050 535	key 5x5x35 din 6880	1



ELIET E501 --- ROTOR SHAFT DOUBLE CUT KNIVES

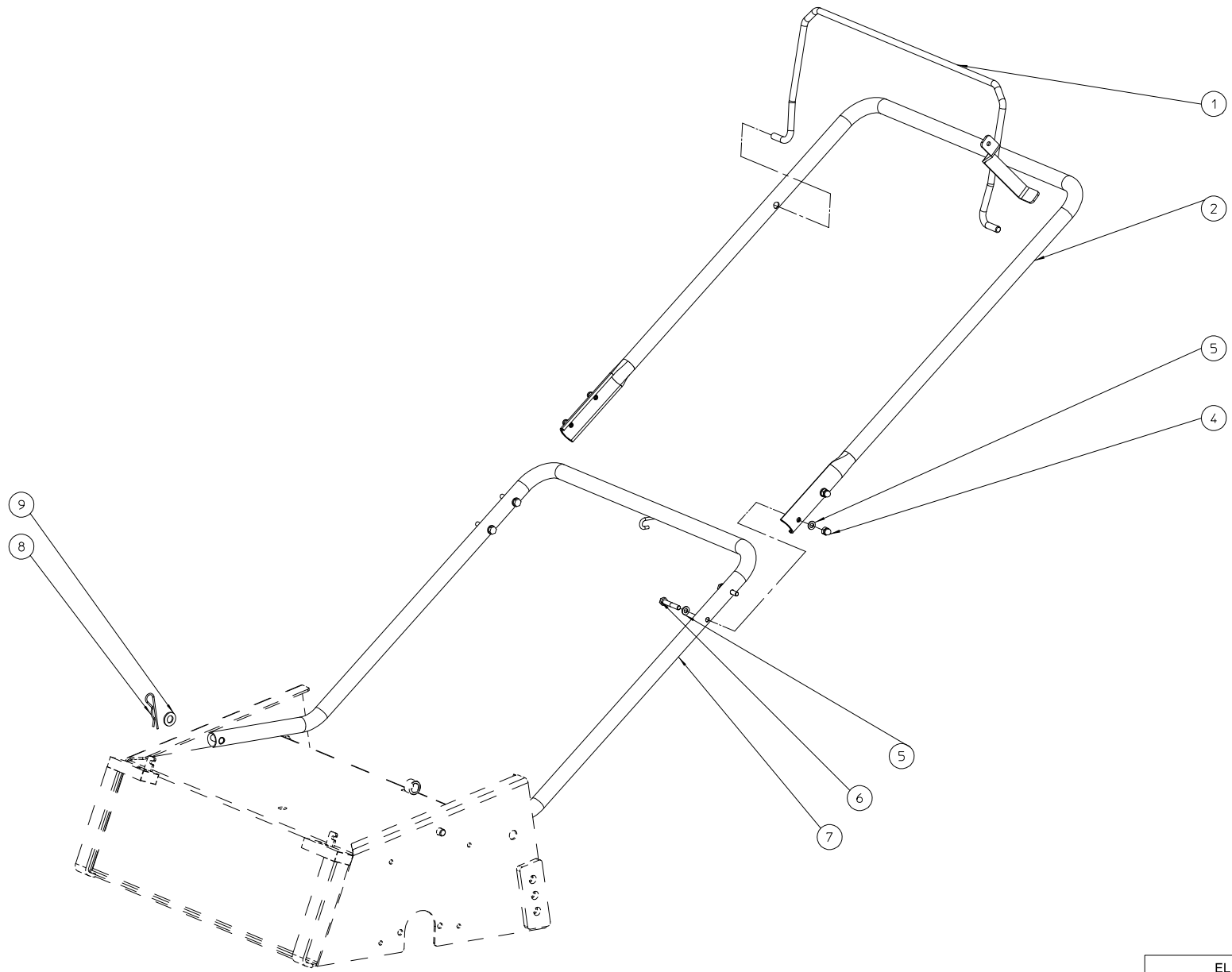
NO	MMA 01 090 130	REV	1	DATE	2006/07/06
----	----------------	-----	---	------	------------

#	Order nr	article description	quantity
1	BS 512 000 820	bolt m8x20 din 933	4
2	BS 531 000 800	washer m8 din 125	8
3	BS 512 001 016	bolt m10x16 din 933	1
4	BS 532 010 305	washer m10x30x2.5	1
5	BL 801 102 001	bearing + flanges aspf1 204	2
6	MPA 01 010 010	bearing protection cover 204	2
7	BS 502 000 800	self locking nut m8 din 985	4
8	MPA 01 090 520	connection ring for blades 20x45x8mm	1
9	BR 111 291 410	nylon bushing (28.5/44x14)	30
10	BR 111 291 010	nylon bushing (28.5/44x10)	1
11	BU 402 300 102	set of double cut knives (32)	1
12	MPA 01 090 500	blade shaft	1
13	MPA 01 090 510	connection ring for blades 22x45x8mm	1
14	BS 501 902 200	nut m22x1.50 din 439	1
15	BA 565 709 001	pulley spa 90x20x5 (rotor)	1
16	BS 023 000 810	set screw m8x10 din 916	2
17	BB 341 050 535	key 5x5x35 din 6880	1



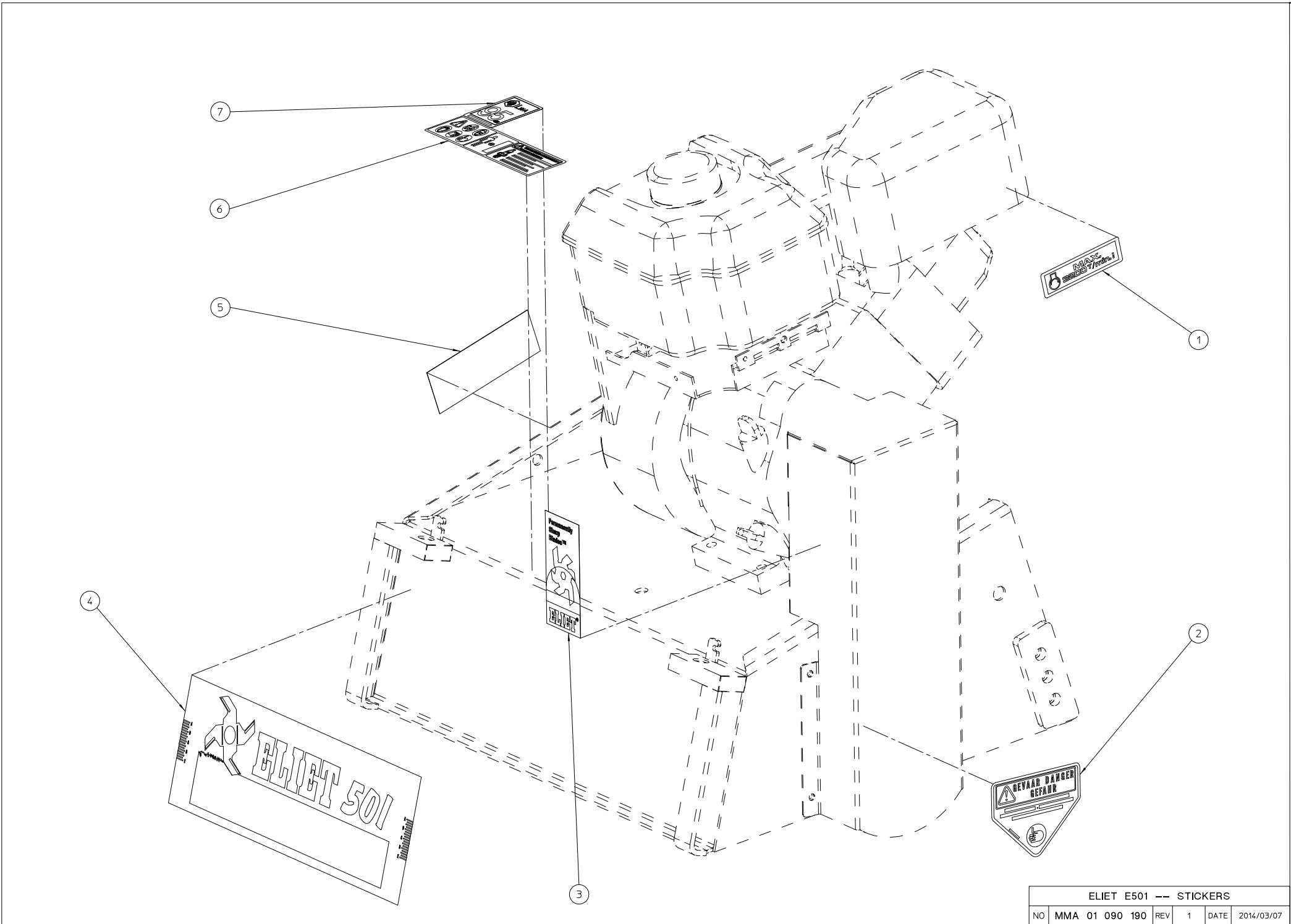
ELIET E501 -- CHASSIS						
NO	MMA 01 090 170	REV	1	DATE	2016/03/09	

#	Order nr	article description	quantity
1	BM 201 205 500	engine b&s intek 5.5 hp (axle 3/4")	1
2	BS 511 000 835	bolt m8x35 din 931	2
3	BS 531 000 800	washer m8 din 125	6
4	BR 112 101 500	nylon bushing with collar (10/13/18x15/2)	4
5	BB 011 000 100	starlock 10mm	2
6	BS 551 101 242	eye bolt m12x50 din 444	2
7	BS 501 901 200	nut m12 din 439	2
8	MPA 01 090 140	engine plate	1
9	BS 502 000 800	self locking nut m8 din 985	4
10	BN 630 214 600	lob knob 189-60 m14x135	2
11	BV 909 000 030	spring	2
12	MPA 01 090 260	locking handle	2
13	BS 512 001 016	bolt m10x16 din 933	2
14	BS 532 010 406	washer m10x40x3	2
15	BW 320 020 000	front wheel alu 200/50-60 (e 501 pro)	2
16	MPA 01 090 110	front wheel holder left	1
17	BS 502 001 400	self locking nut m14 din 985	4
18	MPA 01 090 100	front wheel axle	1
19	MPA 01 090 120	chassis	1
20	BS 502 000 600	self locking nut m6 din 985	5
21	BS 531 001 200	washer m12 din 125	4
22	BS 502 001 200	self locking nut m12 din 985	4
23	BS 531 000 600	washer m6 din 125	8
24	MPA 01 090 270	front wheel holder right	1
25	MPA 01 090 290	rear wheel scraper	2
26	MPA 01 100 190	axle for rear wheel 61mm (e 501 pro)	2
27	BW 325 025 000	rear wheel alu 250/50-60 (e 501 pro)	2
28	BS 512 000 616	bolt m6x16 din 933	4
29	MPA 01 090 250	transmission guard	1
30	BA 521 208 000	belt xpa 800	1
31	BS 511 001 250	bolt m12x100 din 931	2
32	BS 532 012 456	washer m12x45x3	2
33	BB 011 000 090	starlock 9mm	2
34	BR 112 100 600	nylon bushing with collar (10/13.5/25x6/2.5)	2
35	MPA 01 090 230	axle	1
36	BB 001 000 100	retaining ring 10 din 471	2
37	BR 111 101 500	nylon bushing (10.3/15x15)	1
38	MPA 01 090 130	retainer	1
39	MPA 01 090 210	lever belt tightener	1
40	BS 522 500 612	screw m6x12 iso 7380	1
41	BR 111 102 000	nylon bushing (10.3/15x20)	1
42	MPA 01 090 150	belt catcher	1
43	BS 522 500 835	screw m8x35 iso 7380	2
44	BB 342 050 535	key 4.7x4.7x35 din 6880	1
45	BS 023 000 810	set screw m8x10 din 916	2
46	BA 565 707 101	pulley spa 71x3/4"x3/16" (engine)	1
47	BS 512 040 816	bolt unf 5/16"x5/8"	2
48	BV 909 000 040	rod	1
49	BY 512 032 344	chain Ø3x11x23mm - 44cm	1
50	MPA 01 090 220	chain attachment	1
51	BR 900 000 510	rubber anti projection guard	1



ELIET E501 -- HANDLEBAR					
NO	MMA 01 090 180	REV	1	DATE	2014/03/10

#	Order nr	article description	quantity
1	MPA 01 090 350	clutch handle	1
2	MPA 01 090 170	upper steering bracket	1
4	BS 505 500 600	nut m6 din 1587	4
5	BS 531 000 600	washer m6 din 125	8
6	BS 511 000 635	bolt m6x35 din 931	4
7	MPA 01 090 180	lower steering bracket	1
8	BB 040 102 040	hairpin cotter 2mm din 11024	1
9	BS 531 001 000	washer m10 din 125	1



ELIET E501 -- STICKERS						
NO	MMA 01 090 190	REV	1	DATE	2014/03/07	

#	Order nr	article description	quantity
1	BY 512 032 344	chain Ø3x11x23mm - 44cm	1
2	BV 909 000 040	rod	1
3	MPA 01 090 220	chain attachment	1
4	BR 111 101 500	nylon bushing (10.3/15x15)	1
5	BR 900 000 510	rubber anti projection guard	1
6	MPA 01 090 230	axle	1
7	BS 531 000 600	washer m6 din 125	9