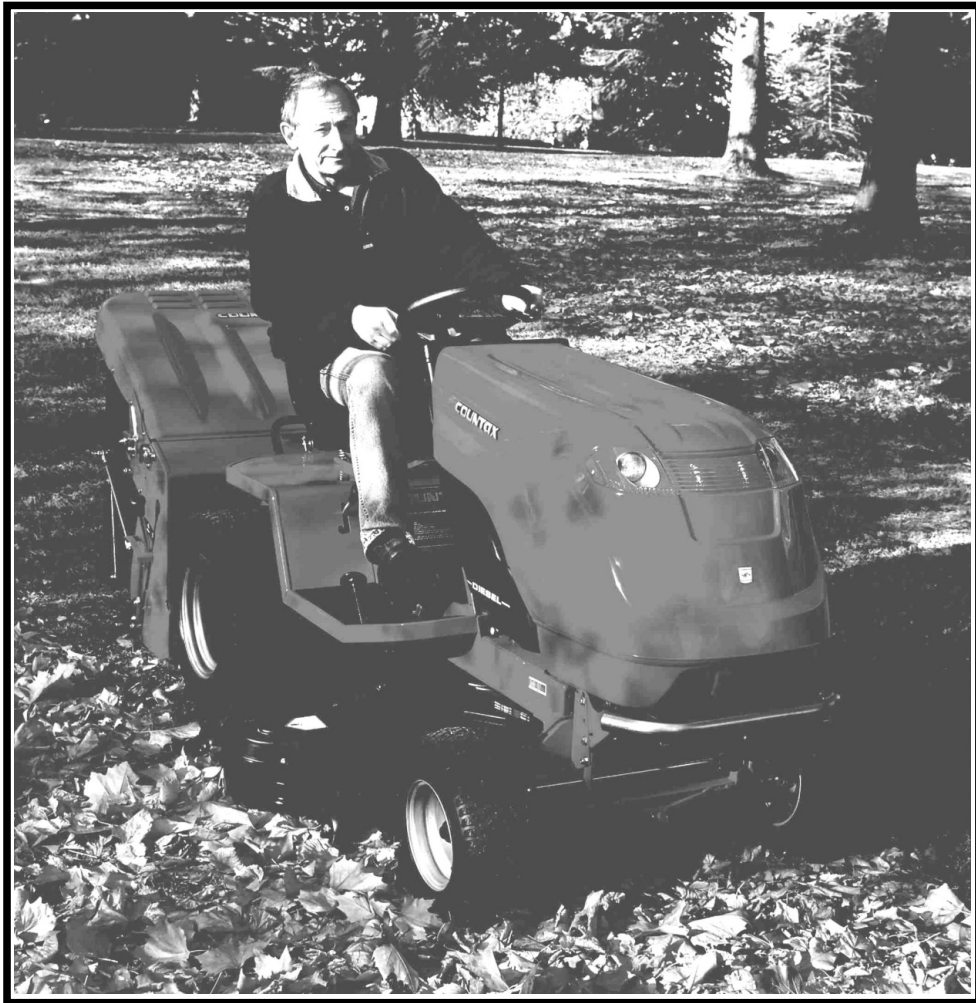


COUNTAX[®]

D18/50 DIESEL TRACTOR



SERVICE DRAWINGS & PARTS LISTS

December 2006

COUNTAX[®]

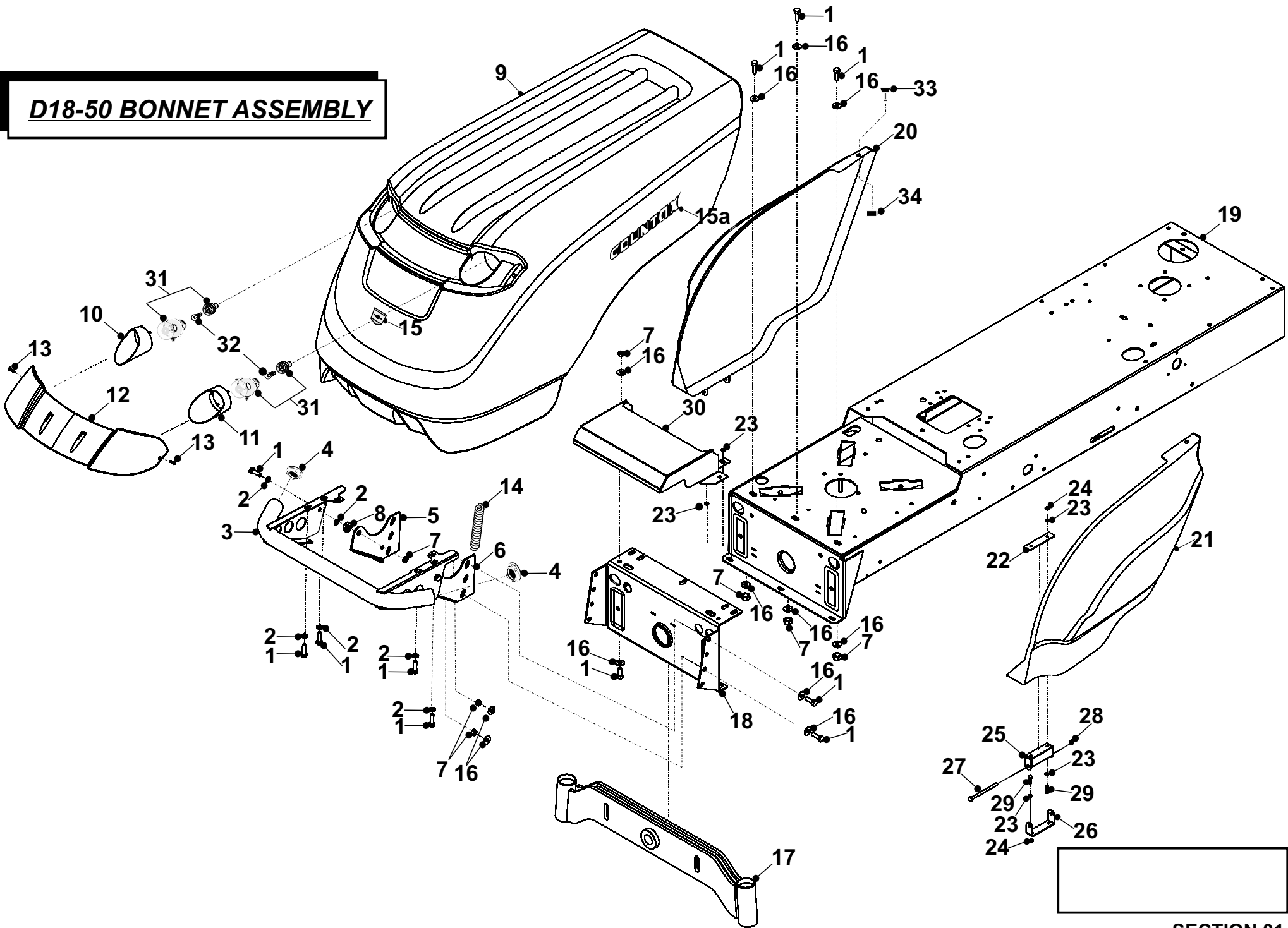
D18/50 DIESEL TRACTOR

2006

SERVICE DRAWINGS & PARTS LISTS

- SECTION 01 BONNET ASSEMBLY
- SECTION 02 CONSOL ASSEMBLY
- SECTION 03 FRONT AXLE ASSEMBLY
- SECTION 04 FRONT & REAR DECK CRADLE ASSEMBLIES
- SECTION 05 WIRING LOOM OMS TYPE
- SECTION 06 PTO TRANSMISSION ASSEMBLY
- SECTION 07 RUNNING BOARD & REAR BODY
- SECTION 08 PEDAL ASSEMBLY
- SECTION 09 SEATBOX ASSEMBLY
- SECTION 10 SEAT ASSEMBLY
- SECTION 11 HANDBRAKE ASSEMBLY
- SECTION 12 STEERING ASSEMBLY
- SECTION 13 HYDROSTATIC TRANSMISSION ASSEMBLY
- SECTION 14 YANMAR DIESEL ENGINE ASSEMBLY
- SECTION 15 DECALS

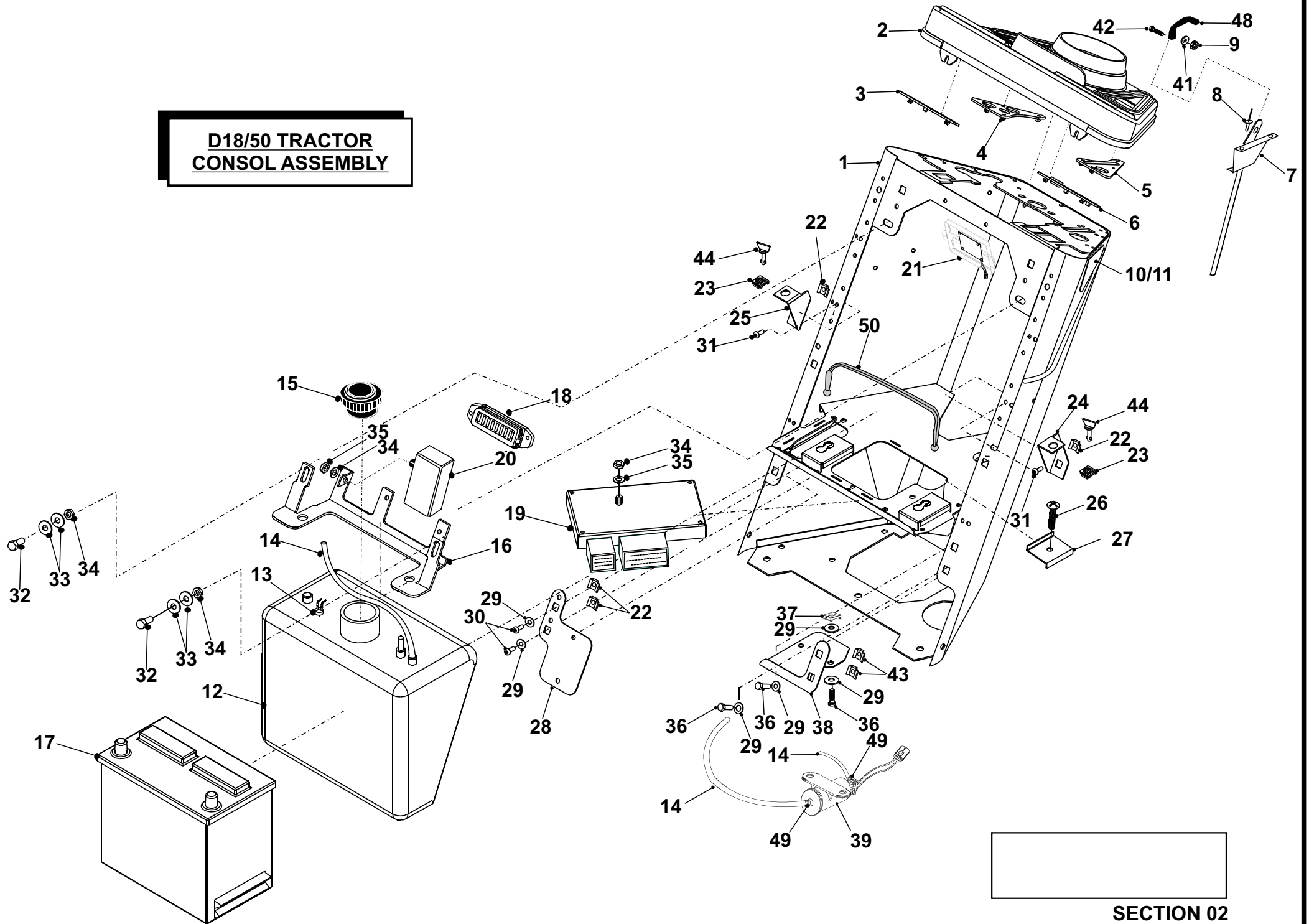
D18-50 BONNET ASSEMBLY



D18-50 BONNET ASSEMBLY
JANUARY 2006 MODEL
PARTS LIST

	PART DESCRIPTION	PART NUMBER
1.	Bolt M8 x 25mm	02826000
2.	M8 Washer	08819501
3.	Stainless Steel Bullbar	328956800
4.	Stainless Steel Bullbar Plastic End Cap	148014400
5.	Bonnet Bracket Side Plate RH	302015200
6.	Bonnet bracket Side Plate LH	302015300
7.	M8 Nyloc Nut	04920100
8.	Pivot Boss	183017700
9.	Bonnet – Diesel Fibreglass	148005700
10.	RH Light Can	148013600
11.	LH Light Can	148013500
12.	Bonnet Lens	148013400
13.	M4 x 16 Socket Head Countersunk Screw	018005100
14.	Bonnet Spring	25805200
15.	Countax Badge	35929300
15a	Pegged Badge `Countax` (Countax Yellow)	32932500
16	Washer M8 x 21 x 1.6mm	088003700
17.	Front Axle Beam	327169300
18.	Front Axle Plate	301052700
19.	Diesel Chassis	328957200
20.	RH Side Panel	148015900
21.	LH Side Panel	148015800
22	Fixing Plate Side Plate	301142900
23.	M5 Washer	08911500
24.	M5 Nyloc Nut	04885900
25.	Side Panel Hinge Upper	301142500
26.	Side Panel Hinge Lower	301142600
27.	M6 x 85mm Hex Head Bolt	018005800
28.	Nut M6 Nyloc	04920500
29.	M5 x 16 mm Set Screw	02912200
30.	Diesel Exhaust Heat Shield	301059100
31.	Headlight Unit – Hella	448008400
32.	Bulb Hella 21W	448008500
33.	Dzus Wing Head Stud Black	149499800
34.	Dzus ¼ Turn Retainer Black	149500000

**D18/50 TRACTOR
CONSOL ASSEMBLY**



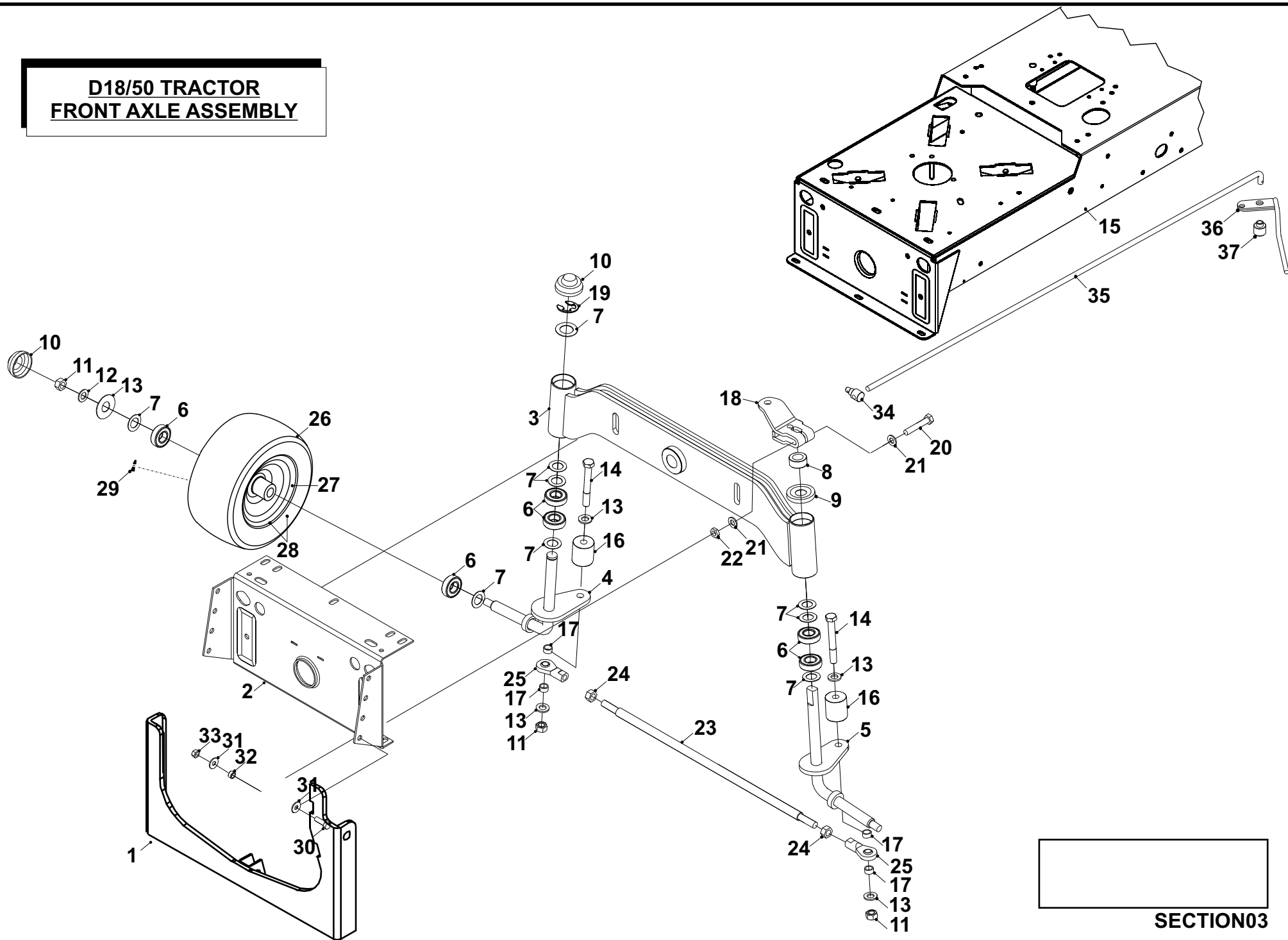
D18/50 TRACTOR
CONSOL ASSEMBLY
PARTS LIST

	PARTS DESCRIPTION	PART NUMBER
1	Consol	328957300
2	Consol Top Dashboard	148012800
3	Insert Consol Top Upper Right	148013000
4	Insert Consol Top Lower Right	148013200
5	Insert Consol Top Lower Left	148013100
6	Insert Consol Top Upper Left	148012900
7	Throttle Control	52913200
8	Rivet 3.2mm x 9mm	12863100
9	M4 Nyloc Nut	04826400
10	Knee Pad R/H	14859200
11	Knee Pad R/H	14859300
12	Fuel Tank	14803000
13	Fuel Level Sensor	448010600
14	Diesel Fuel Return Pipe	528004200
15	Fuel Tank Cap	52803100
16	Fuel Tank & Fuse Holder Bracket	307205800
17	Battery	458141400
18	Fuse Box Holder	301139400
19	Main PCB	449560800
20	Deck Height PCB (Dial-a-Height) (Hiwin Actuator)	448016200
	Deck Height PCB (Dial-a Height) (Type E-150 Actuator)	448007700
21	Display PCB	449561000
22	M5 Captive Nut	04928600
23	Zdus ¼" Turn Receptacle	149499900
24	Side Panel Catch RH	301142800
25	Side Panel Catch LH	301142700
26	M8 x 40mm BZP Bolt	018003200
27	Battery Retainer Plate	301007400
28	Regulator Bracket	307196700
29	Washer ¼"	08825600
30	M6 x 20 Set Screw	018000300
31	M5 x 16 Button Head Screw	019479500
32	Bolt M8 x 20mm	02825900
33	Washer M8 x 21 x 1.6mm	088003700

D18/50 TRACTOR
CONSOL ASSEMBLY
JANUARY 2004 MODEL from serial no: 40116...
PARTS LIST

	PART DESCRIPTION	PART NUMBER
34	M8 Nyloc Nut	04920100
35	M8 Washer	08819501
36	M6 x 16mm Set Screw	028662300
37	Nut M6 Nyloc	04920500
38	Fuel Pump Bracket	301143600
39	Fuel Pump	Yanmar Pt.No 11820052100
40	Jubilee Clip	11856900
41	M4 Form A Washer BZP	08826200
42	Set Screw M4 x 12mm Pozipan Z/P	02826300
43	M6 Captive Nut	048000900
44	Dzus Wing Head Stud Black	149499800
45	PCB Cover	148003200
46	Washer No.10	088004400
47	Screw No.10 x ½" Flat Ended Pozidrive Self Tapper	028663300
48	Control Knob	14810400
49	Jubilee Clip	11856900
50	Battery Strap	149499500

**D18/50 TRACTOR
FRONT AXLE ASSEMBLY**

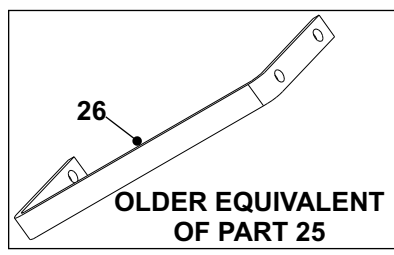
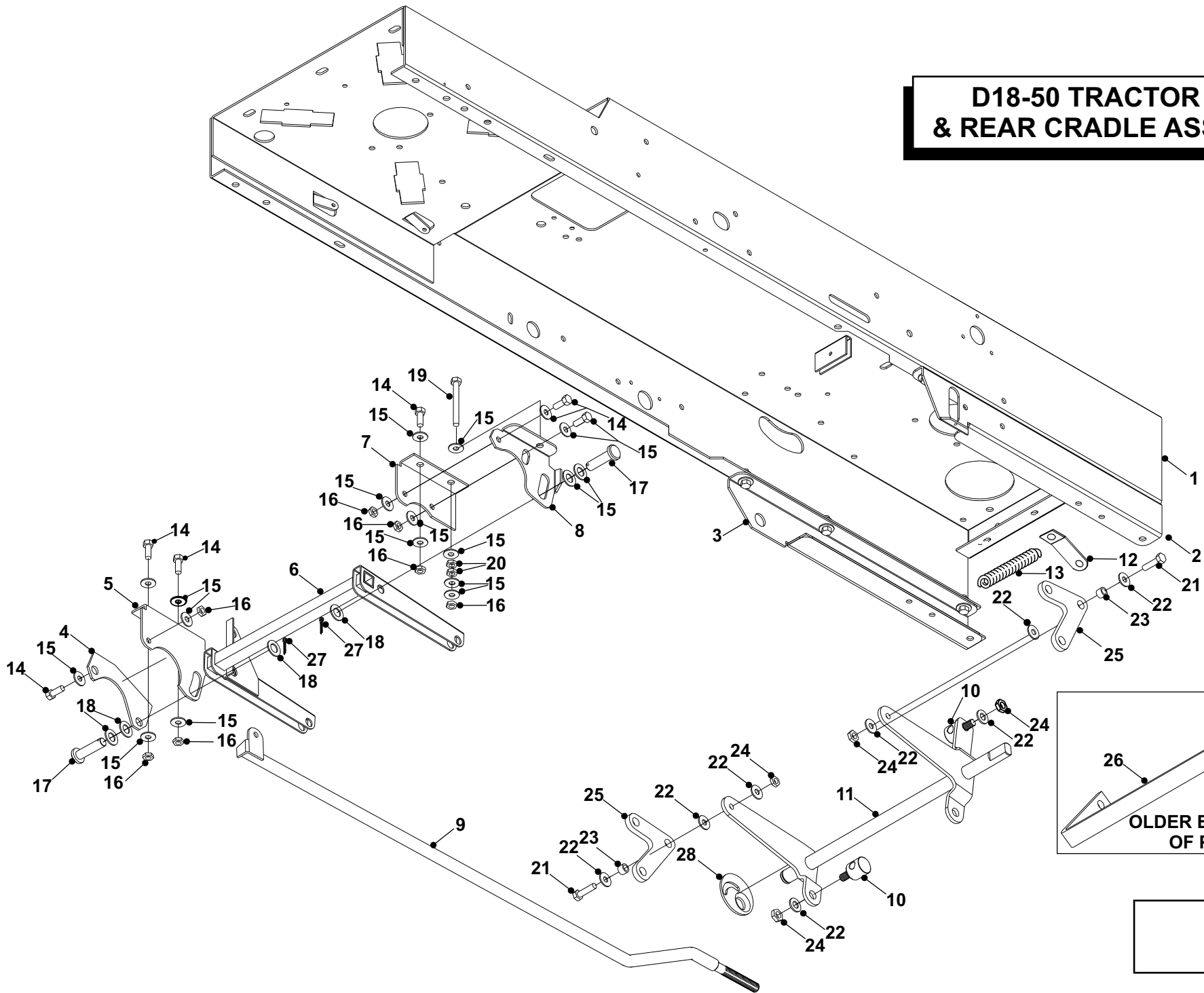


SECTION03

**D18-50 TRACTOR
FRONT AXLE ASSEMBLY PARTS LIST**

	PART DESCRIPTION	PART NUMBER
1	Deck Tension Cradle	327365700
2	Universal Front Axle Plate	301052700
3	Front Axle	327169300
4	Stub Axle R/H	327169400
5	Stub Axle L/H	327172800
6	Front Wheel Bearing	10802200
7	Washer 32 x 19.5	30127900
8	Cross Bar Spacer	31323502
9	Slinger	32121800
10	Axle Beam Hub Cap	27113900
11	M12 Nyloc Nut	049381100
12	M12 x 24 x 1.6 Washer	088003600
13	Hub Cap Washer, Front Wheel	30128100
14	Bolt M12 x 120mm	018002200
15	Chassis	328957200
16	Steering Link Support Spacer	183012600
17	Steering Link Rod Spacer	183012800
18	Steering Arm	327172500
19	19mm External Circlip	07921200
20	M10 x 55 Hex Head Bolt	018002400
21	Washer 10.8 i.d. x 20.7 o.d. x 2mm Thk	088002400
22	M10 Nyloc Nut	04886100
23	M12 Track Rod	183017000
24	Nut M12	049381200
25	M12 Rod Joint	108728000
26	Front Tyre 16 x 6.50	198000600
27	Front Wheel Rim	198000700
28	Complete Front Wheel	198001400
29	Wheel Valve	14889200
30	Bolt M8 x 25mm	02826000
31	Washer M8 x 21 x 1.6	088003700
32	Spacer 7mm x 5/16"	31302800
33	M8 Nyloc Nut	04920100
34	Trunnion (Deck Cradle)	18805500
35	Chassis Deck Tension Rod	313007700
36	Deck Tension Lever	321122800
37	Deck Height Pivot Boss	18317400
38	M12 Washer	088001200
39	Bolt M8 x 45mm	02941000
40	M8 Washer	08819500
41	Washer M8 x 25 x 3mm Unplated	089418600
42	Rue Clip	11836700

D18-50 TRACTOR FRONT & REAR CRADLE ASSEMBLIES



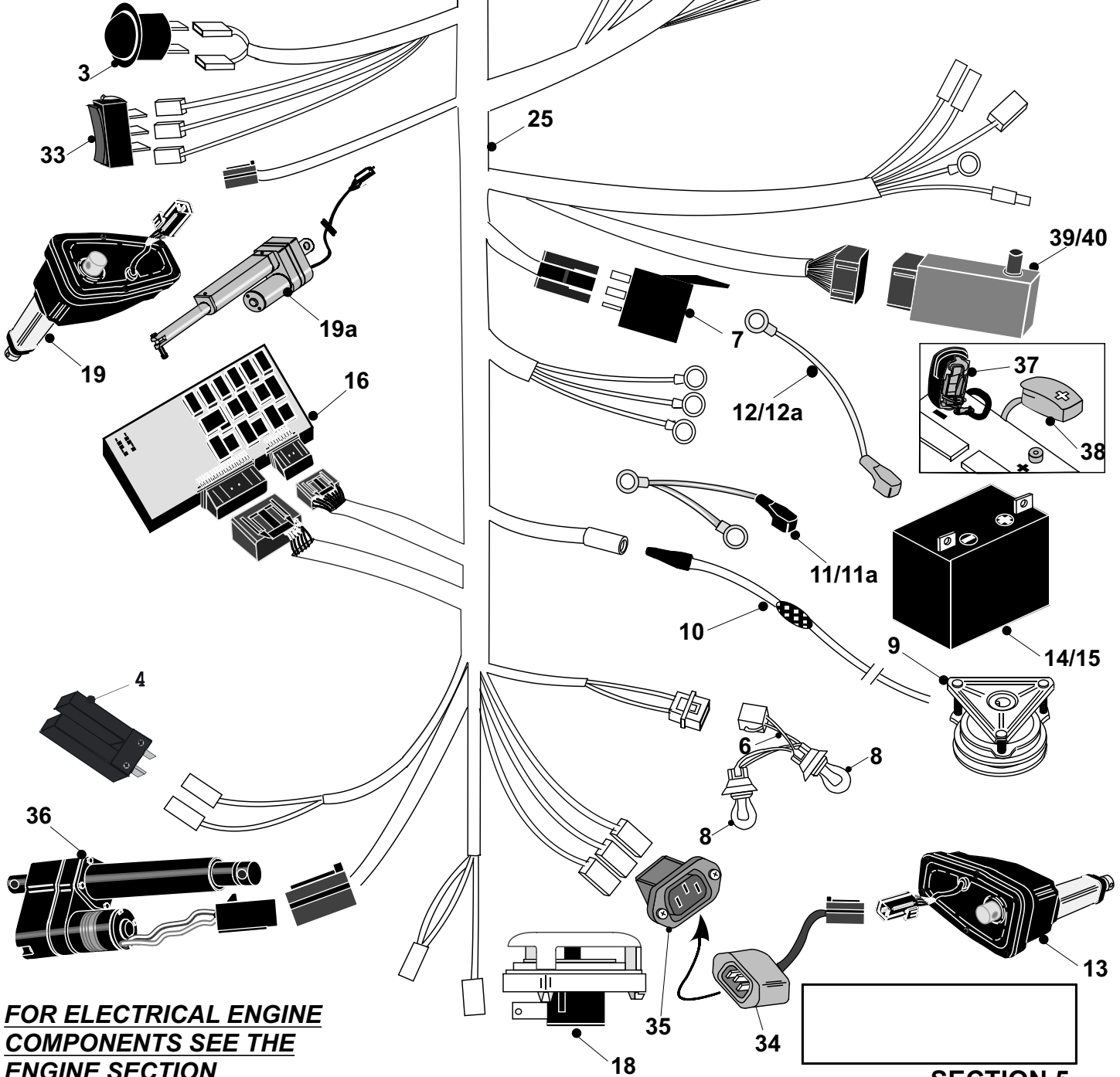
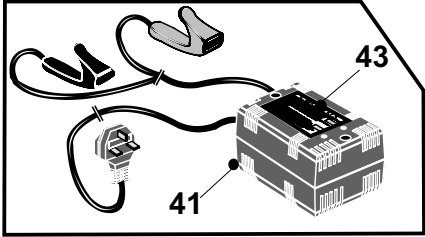
D18-50 TRACTOR
FRONT & REAR DECK CRADLE ASSEMBLIES
PARTS LIST

	PART DESCRIPTION	PART NUMBER
1	Diesel Chassis 2003	328957200
2	L/H Trans-Axle Bracket	307182700
3	R/H Trans-Axle Bracket	307182800
4	Deck Swing Plate	30128200
5	R/H Front Deck Level Bracket	301054000
6	Front Deck Carry Cradle	32703700
7	L/H Front Deck Level Bracket	301053900
8	Deck Front Level Bracket	301040000
9	Deck Level Rod	327015500
10	Deck Level Trunnion	189497500
11	Rear Deck Level Bracket	328954300
12	Deck Lift Spring Anchor	307183500
13	Deck Assist Spring	25885300
14	M8 x 20mm Bolt	02825900
15	Washer M8 x 21 x 1.6mm	088003700
16	M8 Nyloc Nut	04920100
17	Deck Lift Pin	31339400
18	Washer M12 x 24 x 1.6mm	088003600
19	Set Screw M8 x 70mm	01850700
20	Full Nut M8	04852100
21	M8 x 30mm Hex Head Bolt	018005700
22	M10 Washer 10.8 i.d x 20.7 o d x 2mm Thk	088002400
23	Spacer 9mm x 5/16"	18302701
24	M10 Nyloc Nut	04886100
25	Multiple Deck Lift Link	301143200
26	Height Lever Bar	302002000
27	Split Pin 1/8" x 1"	07823300

DECEMBER 2006

SECTION 04

**D18/50 TRACTOR
DIESEL ENGINE
WIRING LOOM
OMS TYPE**



**FOR ELECTRICAL ENGINE
COMPONENTS SEE THE
ENGINE SECTION**

SECTION 5

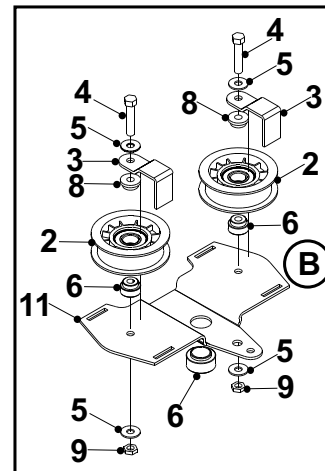
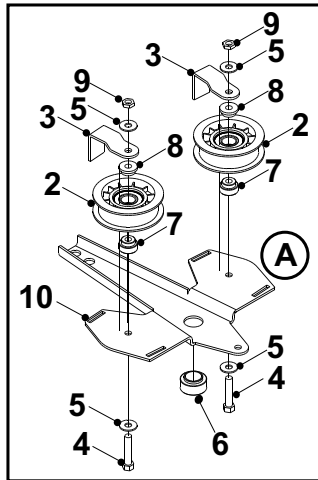
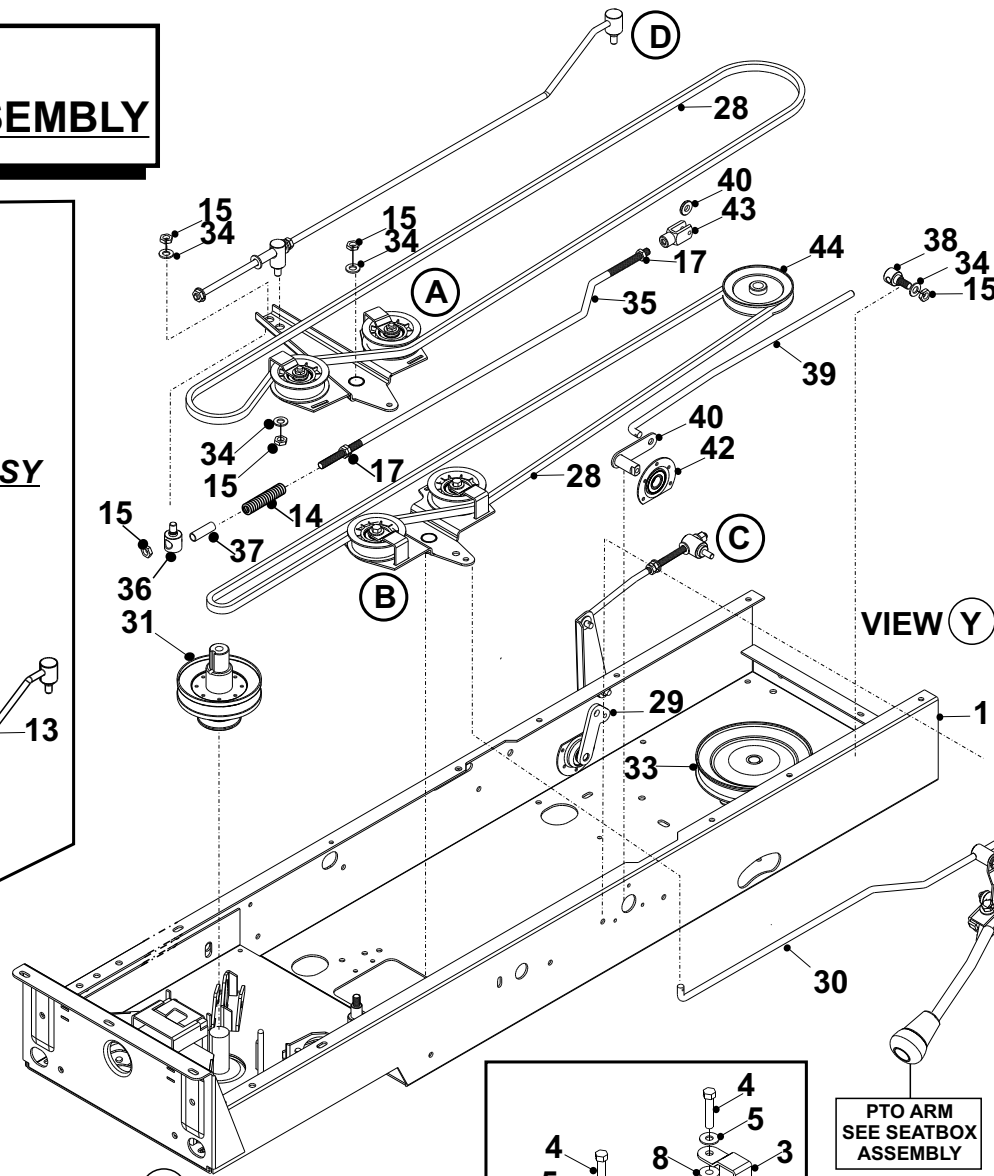
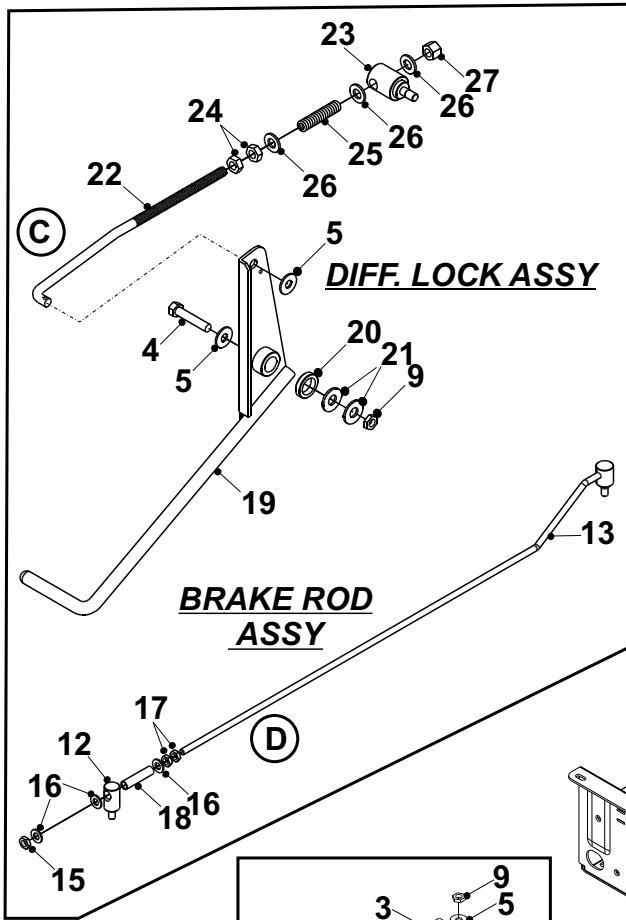
D18/50 TRACTOR
DIESEL ENGINE WIRING LOOM
PARTS LIST

	PART DESCRIPTION	PART NUMBER
1	Display PCB 2004	449561000
2	Fuse Box Holder	301139400
3	Switch Momentary ON 2003	448008700
4	Position Sensor Switch	449666600
6	Headlight Loom	448015000
7	Electric Relay 12v / 30amp with diode	449562700
8	Bulb PY21W	448008500
9	Diesel Electric Clutch	448004900
10	Clutch Loom Magstop Modular	44946800
11	Battery Lead – Negative (-) (for use on item 14)	449562300
11a	Battery Lead – Negative (-) (for use on item 15)	448001100
12	Battery Lead – Positive (+) (for use on item 14)	449562200
12a	Battery Lead – Positive (+) (for use on item 15)	448005300
13	Net Empty Actuator	448002800
14	PBQ 40HR-12 Wet Battery Diesel	458141400
15	Battery – Dry Charged	458141300
16	Main PCB	449560800
17	Ignition Washer 23 x 16 x 2mm	089418900
18	Seat Switch	44949500
19	Actuator c/w Potentiometer	448007700
19a	Actuator 1200N Hiwin (from serial no: 40505...)	448015700
20	10amp Fuse(not illustrated)	44889500
21	Fuse Spade 20amp(not illustrated)	44835000
22	Ignition Switch	44812900
22a	Ignition Key	52813000
23	Ignition Switch Steel Lock Nut M16	048001300
24	Bezel (Accurate 121)	52813100
25	HE Loom + Fuel Sender 2003	448015300
26	Tie Wrap (Not Illustrated)	52825400
27	Tie Wrap Mount (Not Illustrated)	52816800
28	Tie Wrap Self Adhesive (Not Illustrated)	52816700
29	Collet Knob Cap – Rotary HE PCB 2001	148011000
30	Collet Knob	148010600
32	Fuse 30amp Spade ,Diesel Fuse Box (not illustrated)	449559200
31	Dial Height Switch PCB	449561500
33	Switch ON / OFF / ON 2003 (R1311DAAA)	448008900
34	PGC Net Emptying Loom	448004300
35	Rear Socket For Net Emptying Loom	448005600
36	Sweeper Lift Actuator Warner LA10	448005800
37	Battery Connector Negative (-) Black	448001100
38	Battery Connector Positive (+) Red	44812700

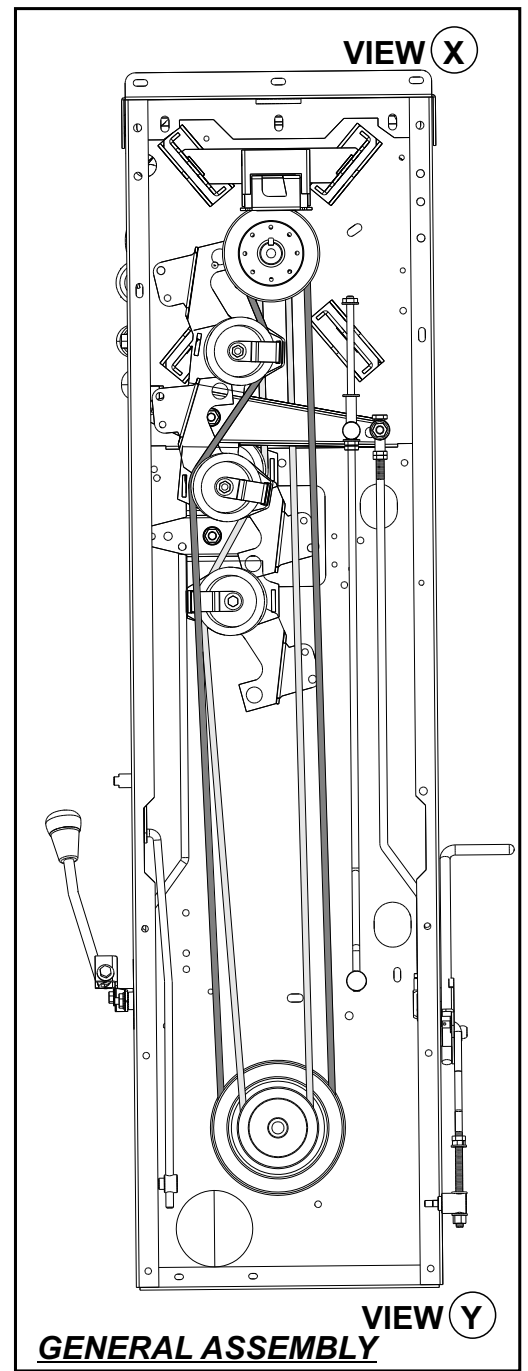
D18/50 TRACTOR
DIESEL ENGINE WIRING LOOM - OMS TYPE
JANUARY 2004 MODEL from serial no: 40116....
PARTS LIST

	PART DESCRIPTION	PART NUMBER
39	Dial Height PCB (E150 Actuator)	449561102
40	Dial Height PCB (Hiwin Actuator)	448016202
41	Battery Charger	449563000
42	Battery charger Instructions (not illustrated)	36919400
43	Battery Charger Decal	36919400

D18/50 TRACTOR PTO TRANSMISSION ASSEMBLY



PTO ARM
SEE SEATBOX
ASSEMBLY



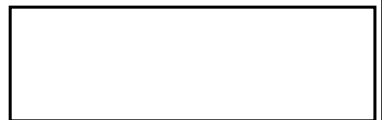
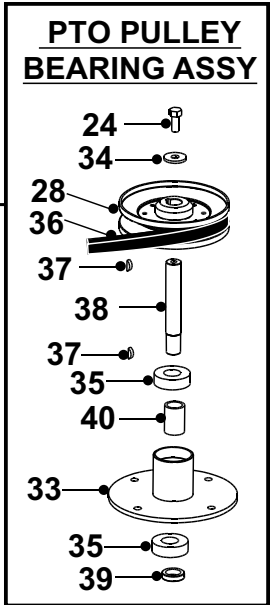
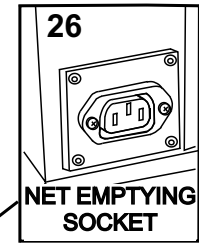
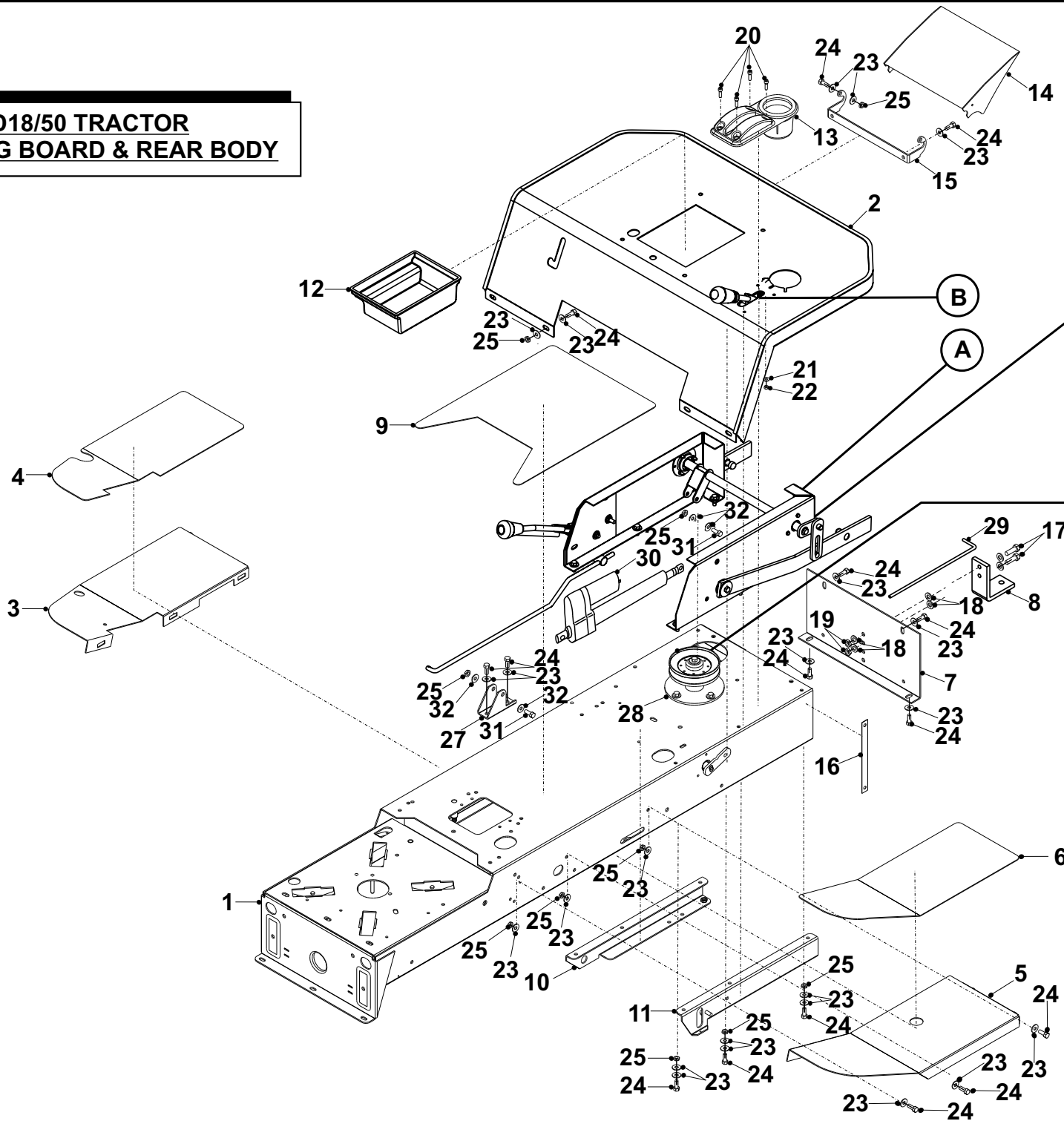
D18/50 TRACTOR
PTO TRANSMISSION ASSEMBLY
PARTS LIST

	PART DESCRIPTION	PART NUMBER
1	Diesel Chassis	328957200
2	Tx PTO Jockey pulley	20811500
3	Belt Keeper	307187100
4	Bolt M8 x 45mm	02941000
5	Washer M8 x 21 x 1.6mm	088003700
6	Bearing Clutch Plate	183019500
7	Spacer Jockey Wheel	18831600
8	Sweeper Jockey Cap	31351100
9	M8 Nyloc Nut	04920100
10	Diesel Clutch Jockey Plate	307197000
11	PTO Jockey Plate	307197100
12	Jockey Trunnion	183019000
13	Brake Rod	327178900
14	Brake Rod Spring	259405100
15	M10 Nyloc nut	04886100
16	M10 Form `B` Washer plated	089420500
17	M10 Lock nut	04872100
18	Brake Rod Tube	183019100
19	Pedal Plate	321122200
20	PTO End Spacer	31306200
21	Washer M10 x 24 x 2	088004500
22	Diff Lock Control Rod	313010400
23	Diff Lock Spring Trunnion	183019800
24	1/4 UNC Nut	04938100
25	"Diff Lock Spring"	259405200
26	Washer 3/8 T3 Z/P	08820100
27	3/8" UNF Nyloc Nut	04820300
28	Belt: Dayco Super 11 A98	228001400
29	Handbrake Bearing Link Shaft Con Plate	307196100
30	PTO Engage Rod	313010800
31	Engine Pulley	327015600
32	Hydrostatic Box Pulley	20904400
33	7" Pulley	20870700
34	Washer 10.8 i.d x 20.7 o.d x 2mm Thk	088002400
35	Handbrake Clutch Link	318955800
36	Brake Engage Rod Trunnion	187186100
37	Park Brake Engage Rod Sleeve	174008900
38	Trunnion Forward/Reverse	187186500
39	Tx Rod	313018600

D18/50 TRACTOR
PTO TRANSMISSION ASSEMBLY
JANUARY 2004 MODEL from serial no: 40116...
PARTS LIST

	PART DESCRIPTION	PART NUMBER
40	Brake Link Bracket	327022200
41	Cassette Bearing Housing	301048100
42	Bearing 17 x 40 mm	108728400
43	10mm x 1.5 Clevis	108000600
44	10mm Spring Pin Short	108000500

**D18/50 TRACTOR
RUNNING BOARD & REAR BODY**



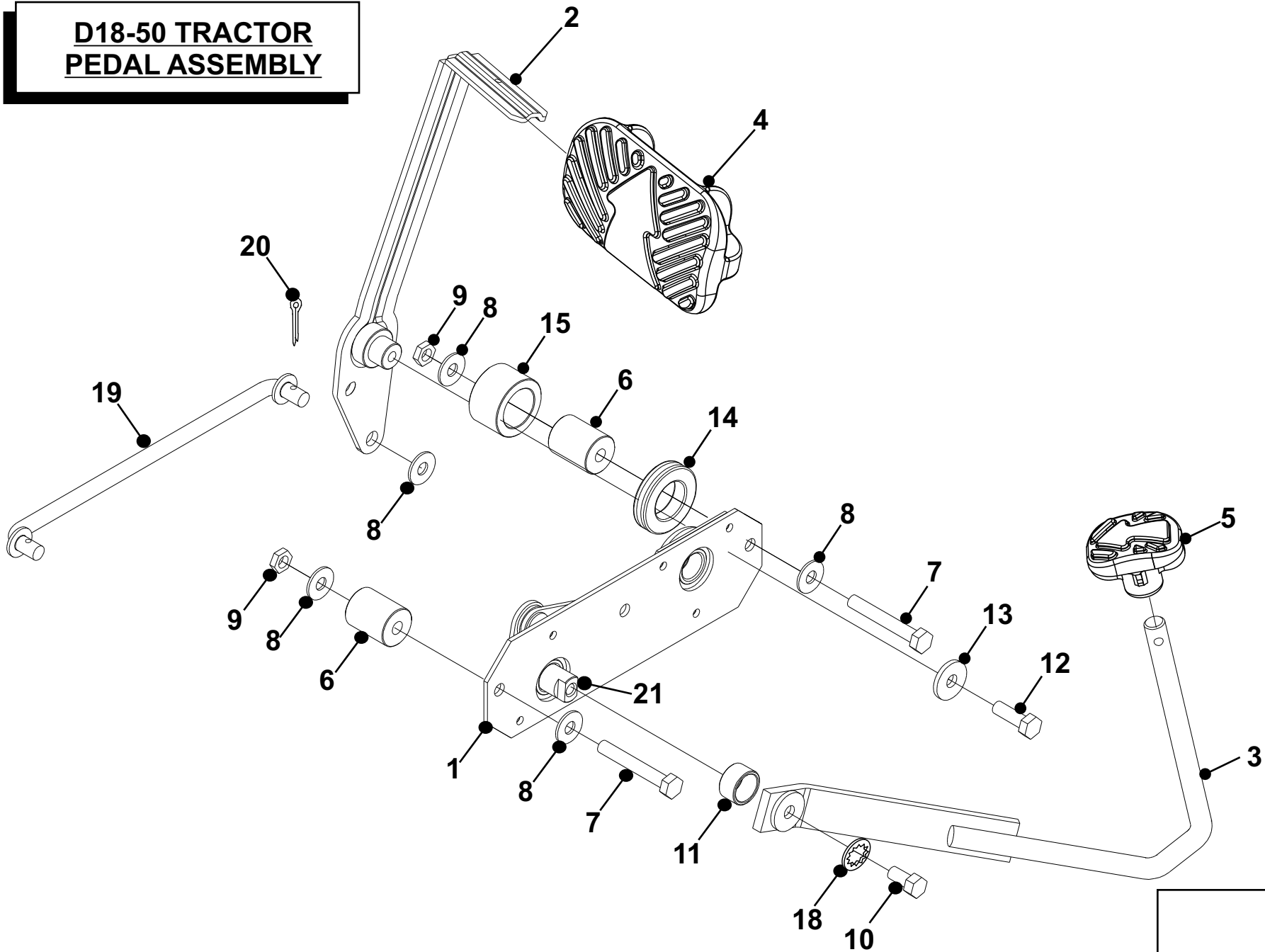
D18/50 TRACTOR
RUNNING BOARD & REAR BODY
PARTS LIST

	ASSEMBLY DESCRIPTION	SECTION No.
A	Seat Box Assembly	See Section 08
B	Handbrake Assembly	See Section 09
	PART DESCRIPTION	PART NUMBER
1	Diesel Chassis	328957200
2	Rear Body	328957100
3	LH Running Board	301054800
4	Running Board Mat R/H	148007300
5	RH Running Board	301069300
6	Running Board Mat L/H	148007200
7	Rear Chassis Panel	3010416Y0
8	Tow Bracket	29200100
9	Running Board Mat Central	148007400
10	LH Transaxle Mounting Bracket	327179600
11	RH Transaxle Mounting Bracket	327179700
12	HE Tool Tray	148003700
13	Cup Holder	148013900
14	PTO Flap	149496300
15	PTO Flap Hinge	301126000
16	Stainless Steel Wear Strip	301140300
17	Bolt M10 x 30mm	02886000
18	Washer 10.8 i.d. x 20.7 o.d.x 2mm Thk	088002400
19	M10 Nyloc Nut	04886100
20	M6 X 20 Long Socket Head Cap Screw s/c	019479400
21	¼" T4 HP Washer	04920500
22	M6 Nyloc Nut	048001000
23	Washer M8 x 21 x 1.6	088003700
24	Bolt M8 X 20mm	02825900
25	M8 Nyloc nut	04920100
26	Net Emptying Socket	448004300
27	Rear Lift Actuator Mounting	302005600
28	PTO pulley 5"	208000400
29	Dump Valve Lever Rod Handle	313020100
30	Actuator Warner LA10	448005800
31	Bolt M8 x 45mm	02941000
32	Washer M8 x 25 x 3mm	089418600

D18/50 TRACTOR
RUNNING BOARD & REAR BODY
JANUARY 2004 MODEL from serial no: 40116...
PARTS LIST

	PART DESCRIPTION	PART NUMBER
33.	PTO Bearing Housing	32700301
34.	Washer 5/16" ID 1"	08819800
35.	Bearing	10802200
36.	A98 Dayco Super 11Belt	228001400
37.	Woodruff Key	09823900
38.	PTO Shaft	183013700
39.	PTO End Spacer	31306200
40.	PTO Centre Spacer	31334800

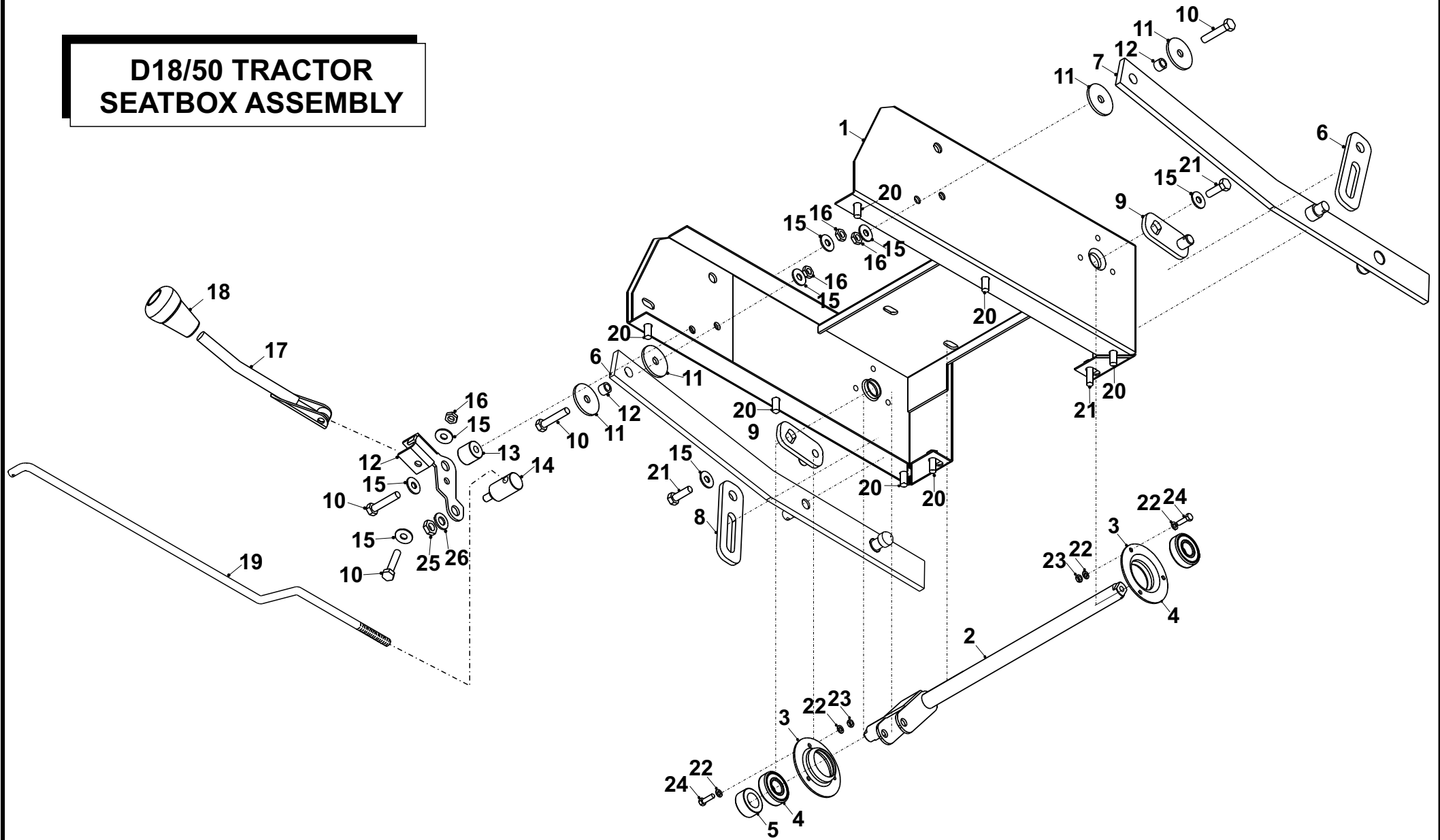
**D18-50 TRACTOR
PEDAL ASSEMBLY**



D18-50 TRACTOR
PEDAL ASSEMBLY

	PART DESCRIPTION	PART NUMBER
1	Pedal Cassette	409427400
2	Forward Pedal	327362600
3	Reverse Pedal	328958000
4	Forward Pedal Rubber Large	148013700
5	Reverse Pedal Rubber Small	148013800
6	Cassette / Chassis Spacer	187186200
7	M8 x 50mm Hex Head Bolt	018003500
8	Washer M8 x 21 x 1.6mm	088003700
9	M8 Nyloc Nut	04920100
10	M8 x 16mm M/Screw	028001000
11	Spacer	31330002
12	Bolt M8 x 25mm	02826000
13	Washer M8 x 25 x 3mm	089418600
14	Grommet Large	52848000
15	Spacer Short	183020700
16	M5 Nyloc Nut	04885900
17	Flanged Button Head Bolt M8 x 25mm	018003700
18	M8 Internal Shakeproof Washer	088003800
19	Forward / Reverse Cassette Rod	327362701
20	Split Pin 1" x 1/8"	06823300
21	Forward / Reverse Linkage Rod	327022201

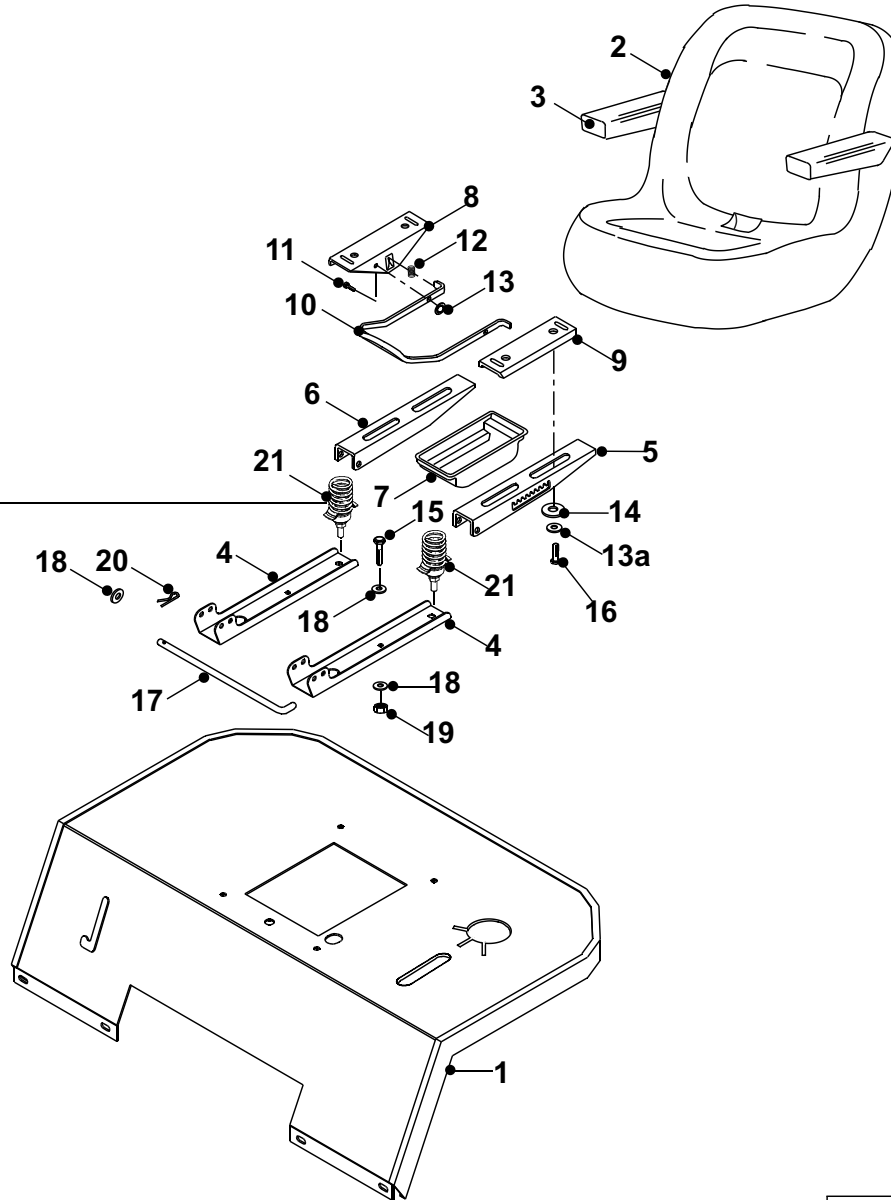
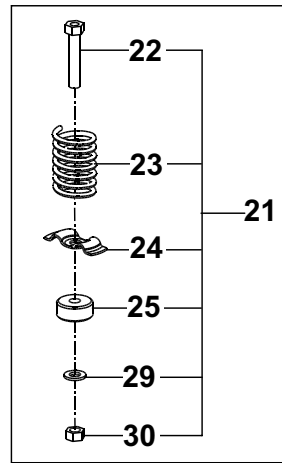
D18/50 TRACTOR SEATBOX ASSEMBLY



**D18/50 TRACTOR
SEATBOX ASSEMBLY
PARTS LIST**

	PART DESCRIPTION	PART NUMBER
01	Seat-Box	327010400
02	Sweeper Lift Bar	327009400
03	Bearing Housing 17mm	27106601
04	Bearing 6203ZZ	10845500
05	Crossbar Spacer	31323502
06	Sweeper Lift Arm R/H	32720300
07	Sweeper Lift Arm L/H	32721100
08	Deck Control Switch Plate	301133500
09	RH Lift Con Plate	327171600
10	M8 x 40mm BZP Bolt	018003200
11	M8 x 40 x 3mm Heavy Gauge Washer	08925400
12	PTO Lever Plate	30134501
13	Roller Plate Bush	31329200
14	Trunnion (PTO Engage)	18806100
15	Washer M8 x 21 x 1.6mm	088003700
16	M8 Nyloc Nut	04920100
17	PTO Engage lever	32708700
18	Lever Knob	14804800
19	PTO Engage Rod	313010800
20	Bolt M8 x 20mm	02825900
21	Bolt M8 x 25mm	02826000
22	M5 Washer	08911500
23	M5 Nyloc Nut	04885900
24	M5 x 16mm S/Screw	02912200
25	Washer 10.8 i.d x 20.7 o.d x 2mm Thk	088002400
26	M10 Nyloc Nut	04886100

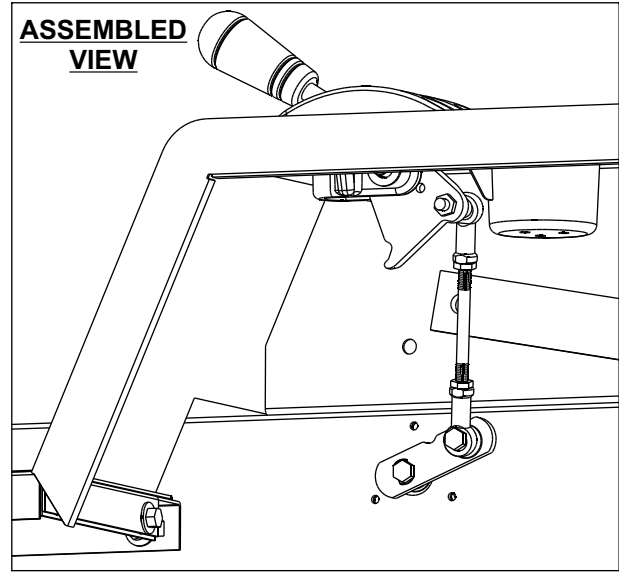
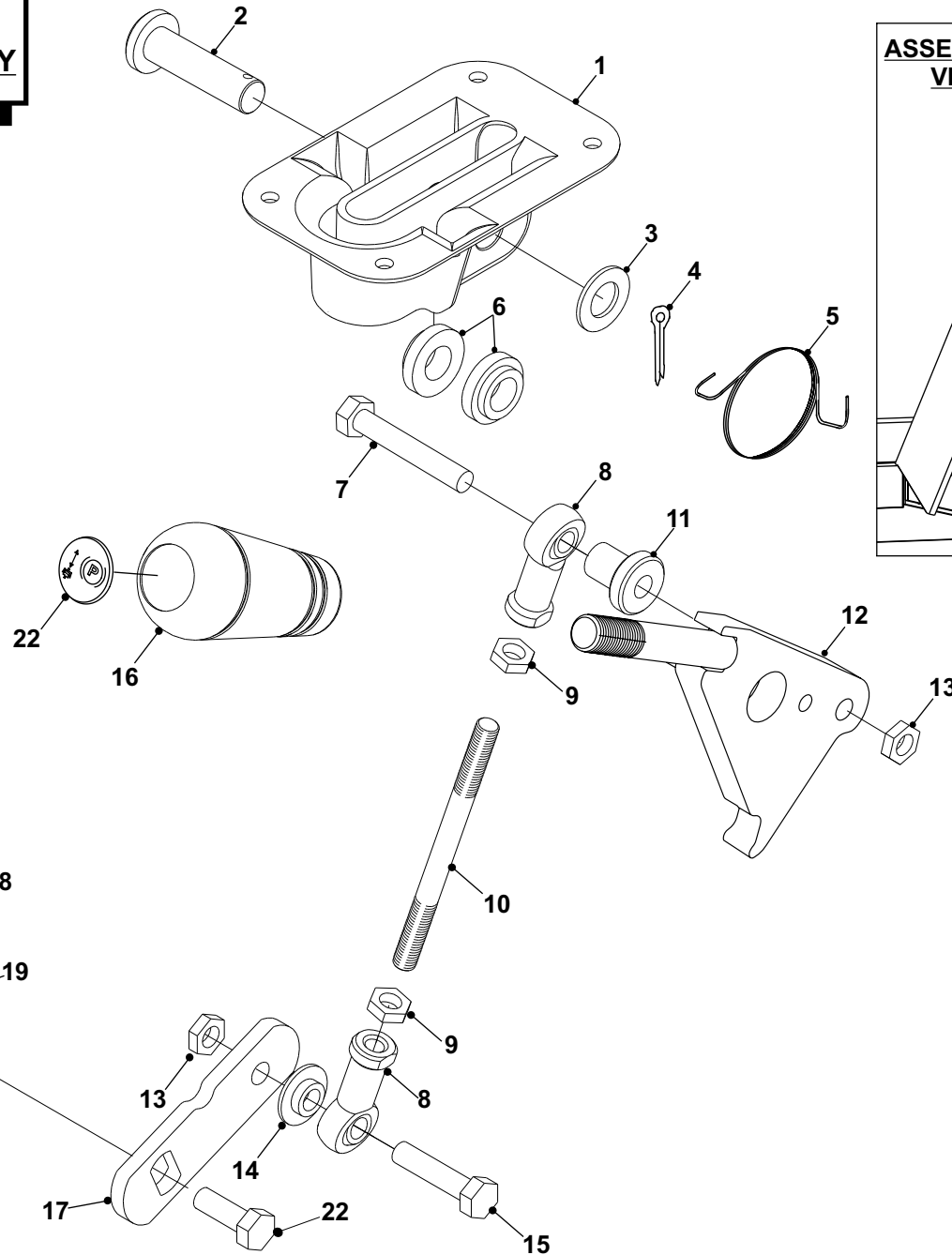
**D18-50 TRACTOR
SEAT ASSEMBLY**



**D18-50 TRACTOR
SEAT ASSEMBLY
PARTS LIST**

	PART DESCRIPTION	PART NUMBER
1	Rear Body Panel	328957100
2	Seat	149500300
3	Arm Rest Kit	148002101
4	Seat Attachment Channel	27115400
5	Adjustable Seat Channel L/H	30117800
6	Adjustable Seat Channel R/H	30117700
7	Tool Tray	148003700
8	Seat Plate Adjuster R/H	30117900
9	Seat Plate Adjuster L/H	30118000
10	Seat Handle	30203100
11	Rivet ¼" x ½" B/Z	12855800
12	Spring	25831100
13	Starlock Washer ¼"	08868700
13a	Shakeproof Washer ¼" x 5/8"	08824200
14	M8 x 40 x 3 Heavy Gauge Washer	08925400
15	Bolt M8 x 20mm	02825900
16	Bolt M8 x 25mm	02826000
17	Seat Pivot Rod	31301800
18	Washer M8	08819500
19	M8 Nyloc Nut	04920100
20	2mm R Clip	06849100
21	Seat Spring (Full Assembly)	405003200
22	M10 x 40 Caps Screw	028003400
23	Seat Spring (Adjustable Seat)	25845600
24	Spring Retaining Washer(Seat)	27835400
25	Seat Spring Spacer	31330800
26	Literature Case (Not Illustrated)	148016400
27	Fir Tree Buttons (Not Illustrated)	148016500
28	Decal 'Read Manual' (Not Illustrated)	358036400
29	Washer 10.8 i.d x 20.7 x 2mm	088002400
30	M10 Nyloc Nut	04886100

**D18-50 TRACTOR
HANDBRAKE ASSEMBLY**

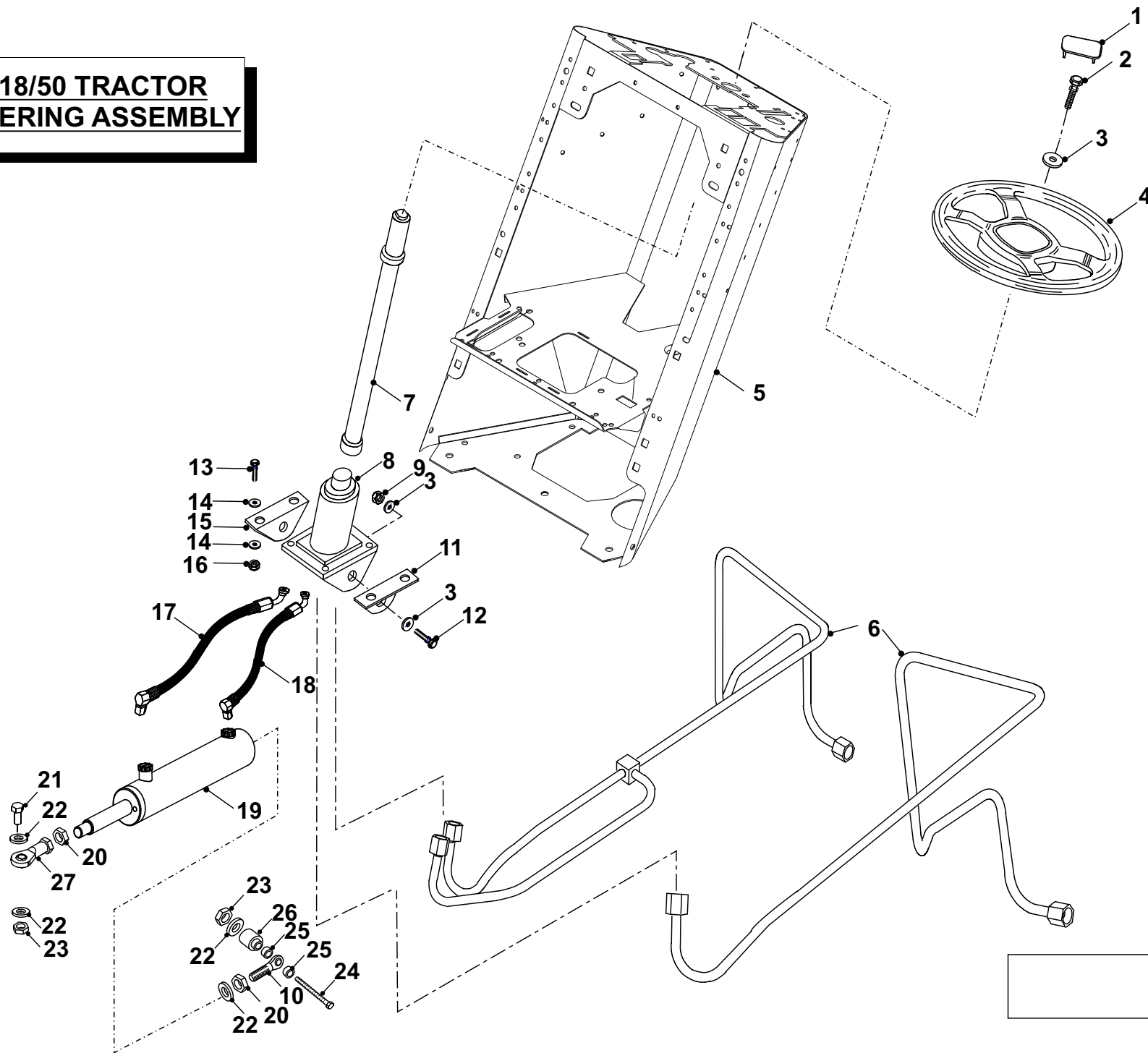


DRWG No
ISSUE:01

**D18-50 TRACTOR
HANDBRAKE ASSEMBLY
PART LIST**

	PART DESCRIPTION	PART NUMBER
1	Handbrake Block	148014000
2	Deck Lift Pin	31339400
3	Washer M12 x 24 x 1.6mm	088003600
4	Split Pin 1" x 1/8"	06823300
5	Spring – Hand Brake Block Torsion	258000600
6	Handbrake Nylon Bush	149498000
7	M8 x 50 Hex Head Bolt BZP	018003500
8	M8 x 8mm Rod End RH Thread Female	10896200
9	Full Nut Hex M8 Z/P	04822300
10	Handbrake Handle	321124300
11	Pivot	18321000
12	Handbrake Lever Linkage Rod	318955700
13	M8 Nyloc Nut	04920100
14	Pivot Boss	31306100
15	M8 x 35mm Bolt	01935100
16	Handbrake Handle	187185300
17	Hand Brake Outer Conrod Connection Plate	307196000
18	Tractor Pedal Cassette Bearing Housing	301048100
19	Bearing	10811600
20	Link Shaft	328975000
21	Handbrake Handle Badge	359505100
22	Bolt M8 x 25mm	02826000

D18/50 TRACTOR STEERING ASSEMBLY



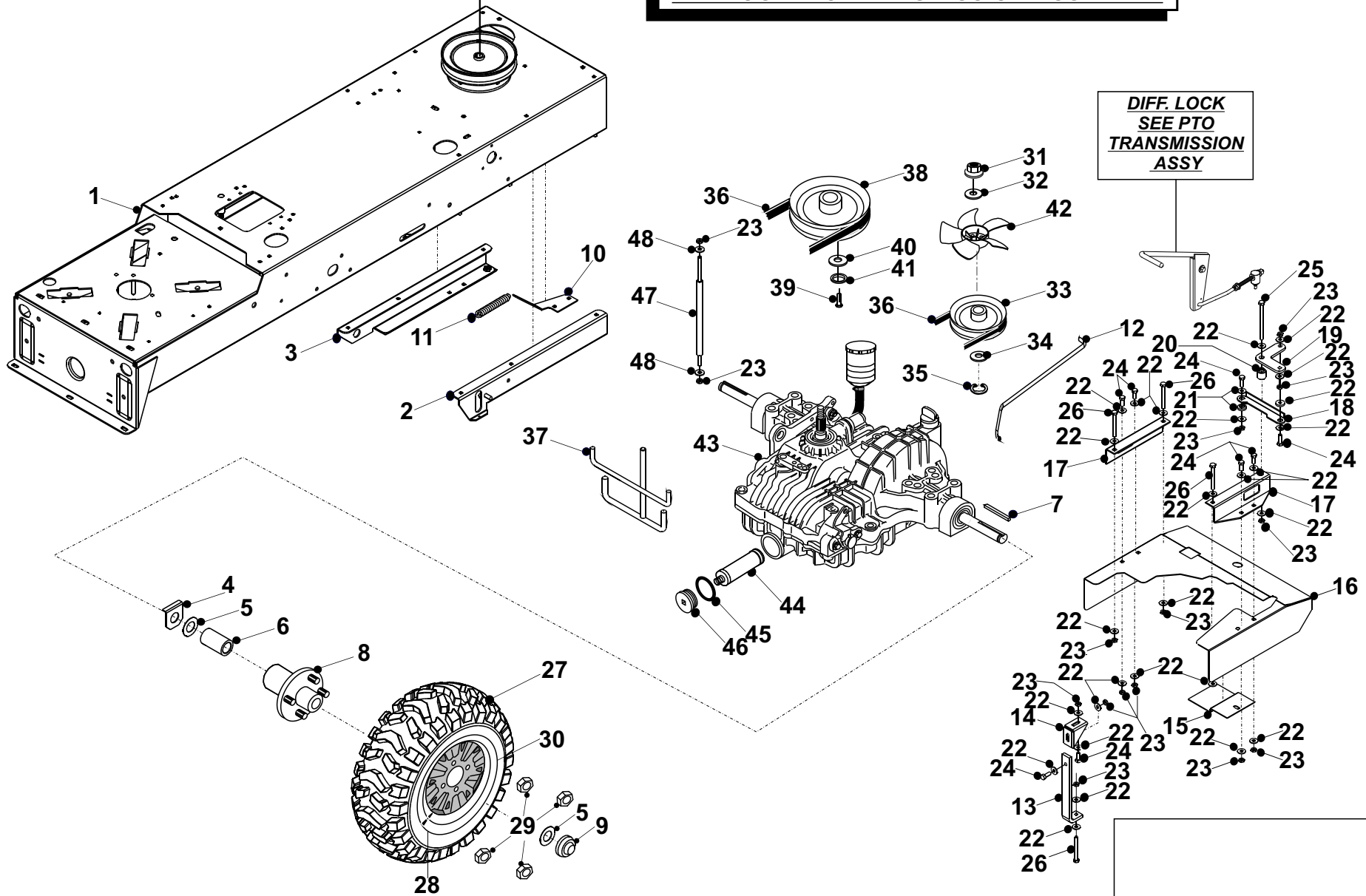
D18/50 TRACTOR
STEERING ASSEMBLY
PARTS LIST

	PART DESCRIPTION	PART NUMBER
1	Steering Wheel Cap	14938700
2	Screw M8 x 25mm	01916900
3	M8 Washer	08819501
4	Steering Wheel	14928200
5	Consol	321124600
6	Steering Pipes Kit -2 Pieces	178965202
7	Steering Column	327169200
8	Steering Orbital	529469100
9	M8 Nyloc Nut	04920100
10	M12 Male Rod End	039221000
11	L/H Orbital Bracket	301120800
12	M8 x 16mm Set Screw	028001000
13	M6 x 16mm Set Screw	028662300
14	Washer M6	088000300
15	R/H Orbital Plate	301120700
16	Nut M6 Nyloc	04920500
17	Steering Pipe Flexible-Right	178965301
18	Steering Pipe Flexible Left	178965401
19	Steering Cylinder	178965100
20	Nut M12 Half Nut	04938200
21	Bolt M12 x 60mm	019478800
22	M12 Washer	088001200
23	M12 Nyloc Nut	049381100
24	M12 x 80mm Bolt	019478500
25	Steering Link Rod Spacer (Small)	183012800
26	Steering Link Rod Spacer (Large)	183012700
27	M12 Rod End Joint	10872800
28	Column Bearing	10801700
29	Washer 23 x 16 x 2mm	089418900
30	Bolt M8 x 20mm	02825900
31	Washer M8x 21x 1.6mm	088003700
32	M8 Nut Nyloc	04920100

PTO PULLEY BEARING ASSY
SEE RUNNING BOARD
& SEAT BOX ASSEMBLY

D18/50 TRACTOR
HYDROSTATIC TRANSMISSION ASSEMBLY

DIFF. LOCK
SEE PTO
TRANSMISSION
ASSY



D18/50 TRACTOR
HYDROSTATIC TRANSMISSION
PARTS LIST

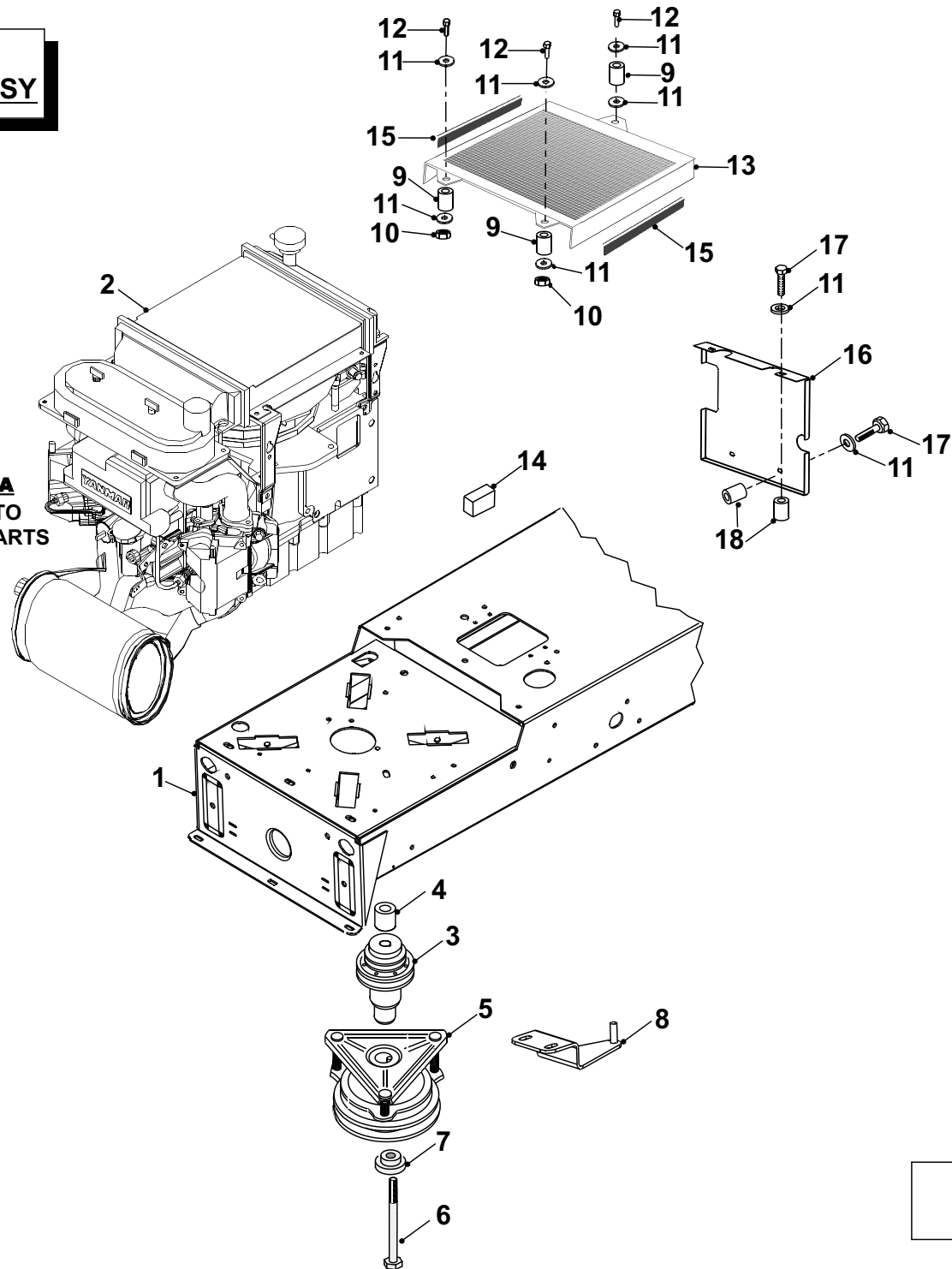
	PART DESCRIPTION	PART NUMBER
1	Diesel Chassis	328957200
2	L/H Trans-Axle Bracket	307182700
3	R/H Trans-Axle Bracket	307182800
4	K66 Transaxle Thrust Washer	307191900
5	Washer 46mm X 25mm	089419000
6	2050 Wheel Spacer	183018500
7	Key 1/4" x 1/4" x 2.1/4"	09862600
8	Rear Wheel Hub	198001300
9	Hub Cap	14811800
10	Finger Plate	301119601
11	Spring	307183500
12	Dump Valve Rod	313010600
13	Transaxle Support Bar	292003500
14	Torque Bracket	30137700
15	K66 Transaxle Hydraulic Loop Pipe Guard	307188800
16	Grass Transaxle Deflector	301120500
17	Transaxle Grass Deflector Bracket	301119500
18	Diff Lock Link	301119300
19	Diff Lock Pedal Link Crank	301119200
20	Deck Overlock Pivot	18833702
21	PTO Plate Spacer	31305100
22	Washer M8 x 21 x 1.6mm	088003700
23	M8 Full Nut	04822300
24	Bolt M8 X 25mm	02826000
25	Bolt 110mm x M8	019478400
26	M8 x 75mm Hex Head Bolt	018005600
27	Rear Tyre	198000400
28	Wheel Valve	14889200
29	Wheel Nut	048000800
30	Rear Wheel Rim Includes: Grease Nipple (not illustrated) 'O' Ring (not illustrated) Washer 5/16 Shake-Proof (not illustrated)	198000500 11898800 24898700 08823500
31	M10 Flange Nut Nyloc	049381600
32	Washer 32 o.d x 10.5 i.d x 3mm Thk	089418800
33	Hydrostatic Box Pulley	20904400

D18/50 TRACTOR
HYDROSTATIC TRANSMISSION
JANUARY 2004 MODEL from serial no: 40116....
PARTS LIST

	PART DESCRIPTION	PART NUMBER
34	9/16" T4 LP Washer	08917800
35	14mm Circlip	07906600
36	Dayco A98 Super II Belt	228001400
37	Double Belt Guide	327021800
38	Pulley 7" PTO	20870700
39	Bolt M8 x 20	02825900
40	Washer M8 x 25 x 3mm	089418600
41	5/16" Shakeproof Washer	08855100
42	Hydro Cooling Fan	148002900
43	Tuff Torq K66 Transaxle	479389100
44	Filter	1A6370-26450
45	Packing	24351-020400
46	Cap	1A6370-24380
47	L/H Transaxle Steady Rod	313019100
48	M8 Washer	08819501

**D18/50 TRACTOR
YANMAR DIESEL ENGINE ASSY**

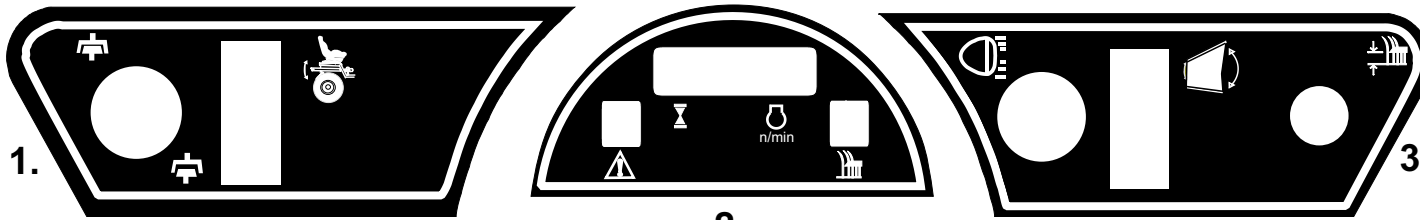
**YANMAR
DIESEL
ENGINE
MODEL 2V78 - CA**
PLEASE REFER TO
YANMAR ENGINE PARTS
CATALOGUE



D18/50 TRACTOR
YANMAR DIESEL ENGINE ASSEMBLY
PARTS LIST

	PART DESCRIPTION	PART NUMBER
1.	Diesel Chassis	328957200
2.	Yanmar 16hp Diesel Engine Model 2V78-CA Please refer to Yanmar Engine Parts Catalogue	N/A
3.	Engine Transmission Pulley	327015600
4.	Bolt M8 x 45mm	02941000
5.	Ogura Electric Clutch	448004900
6.	Hex Head Bolt M10 x 55mm	01802400
7.	Upper Metal Restraint For Rubber Block	307197800
8.	Diesel Clutch Stop Rubber Block	148016600
9.	Spacer 7mm x 5/16"	31302800
10.	Nut M6 Nyloc	04920500
11.	Washer 9/16"	08827800
12.	Bolt M6 x 20mm	018000300
13.	Radiator Guard	307194200
14.	Starter Motor Guard Panel	307201200
15.	Foam Seal / Gasket Radiator Grille	389471801
16.	Cowl – Diesel Engine Back Panel	307019201
17.	Screw M6 x 35mm	019478900
18.	Spacer 20mm x 5/16" i.d.	31302500
19.	Clutch Restraint Plate	328957900
20.	Bolt M8 x 20mm	02825900
21.	Washer M8	08819500
22.	Diesel Engine Shock Mount	528003600
23.	M8 Nyloc Nut	04920100
24.	M10 Flanged Nyloc Nut	049381600
25.	Diesel Rubber Mounting Spacer	183013300
26.	Diesel Engine Mounting Plate	327015001
27.	Lower Metal Restraint For Rubber Block	307197900
28.	Pulley Cap	183021500

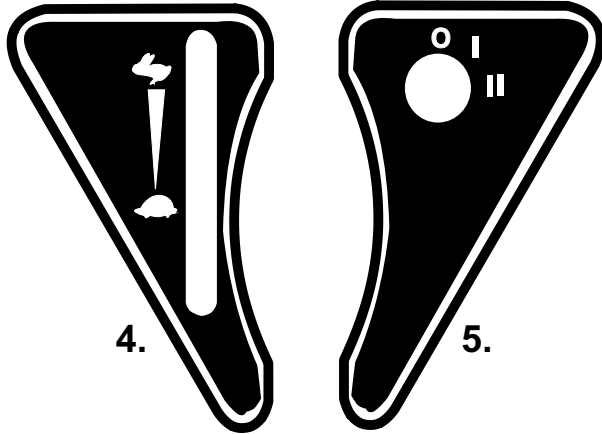
D18-50 TRACTOR DECALS



1.

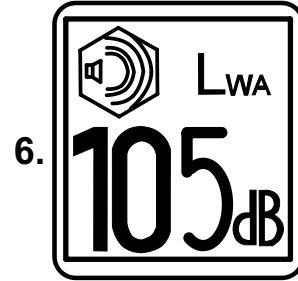
2.

3.



4.

5.



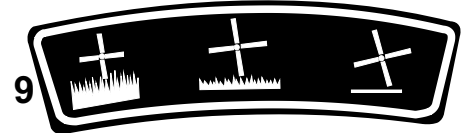
6.



7.



8.



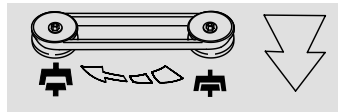
9.



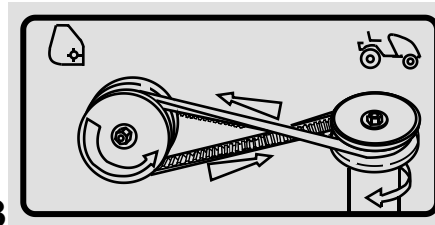
10.



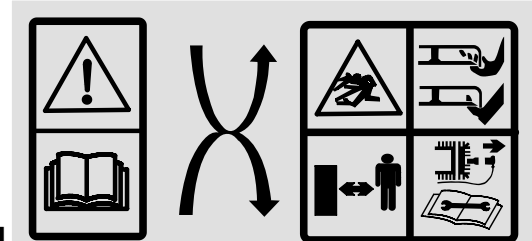
11.



12.



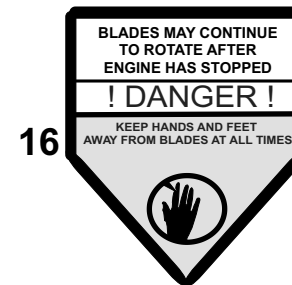
13.



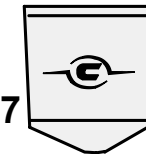
14.



15.



16.



17.

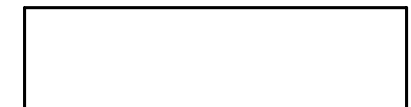


18.

19 COUNTAX

20

DIESEL



SECTION 15

D18/50 TRACTOR
DECALS
PARTS LIST

	PART DESCRIPTION	PART NUMBER
1	Clutch / Sweeper Decal	358031100
2	Dash Display Decal 04	358036500
3	Deck / Net / H. Light Decal 2003	358031500
4	Throttle Dash Decal 2003	358026900
5	Dash Ignition Decal 2003	358026600
6	Decal 105 Decibel	359497101
7	`Diesel Fuel Only' Self Adhesive Decal	358008500
8	PTO Danger Decal	35809500
9	Sweeper Height Decal 2003	35937601
10	IBS Decal 2003	35931301
11	`CE' Decal	35912000
12	Deck Belt Release Decal	35914600
13	Sweeper Belt Decal (Symbols Only)	35891200
14	Yellow Background Warning Label 153 x 75mm	358005900
15	Decal `Read Safety Instructions	359506300
16	PTO Danger Label	35809500
17	Decal Countac`C' Badge	35929300
18	Handbrake Handle Badge	359505100
19	Countax Bonnet Badge (Silver)	359505800
20	Diesel Bonnet Decal	359501000