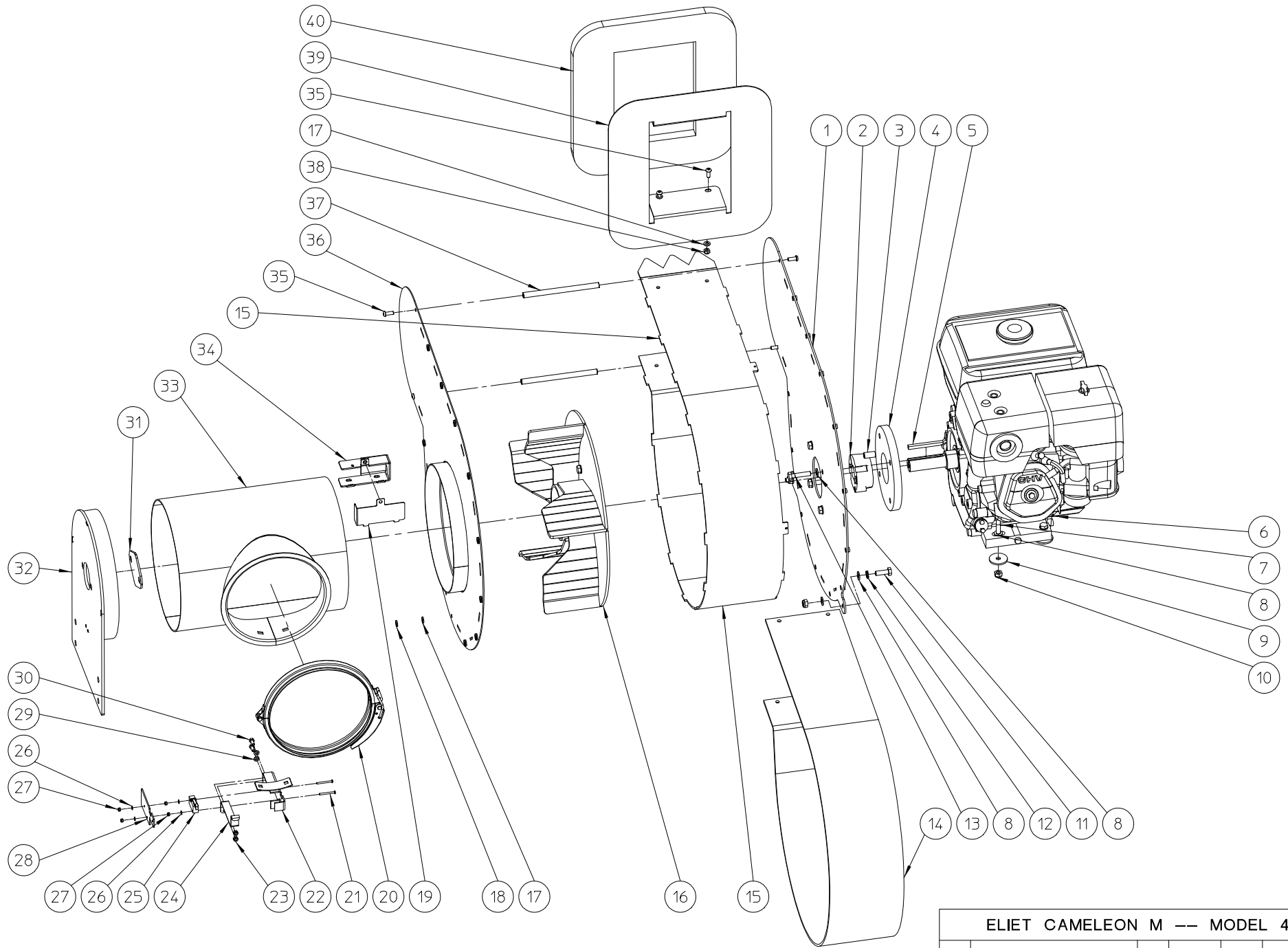


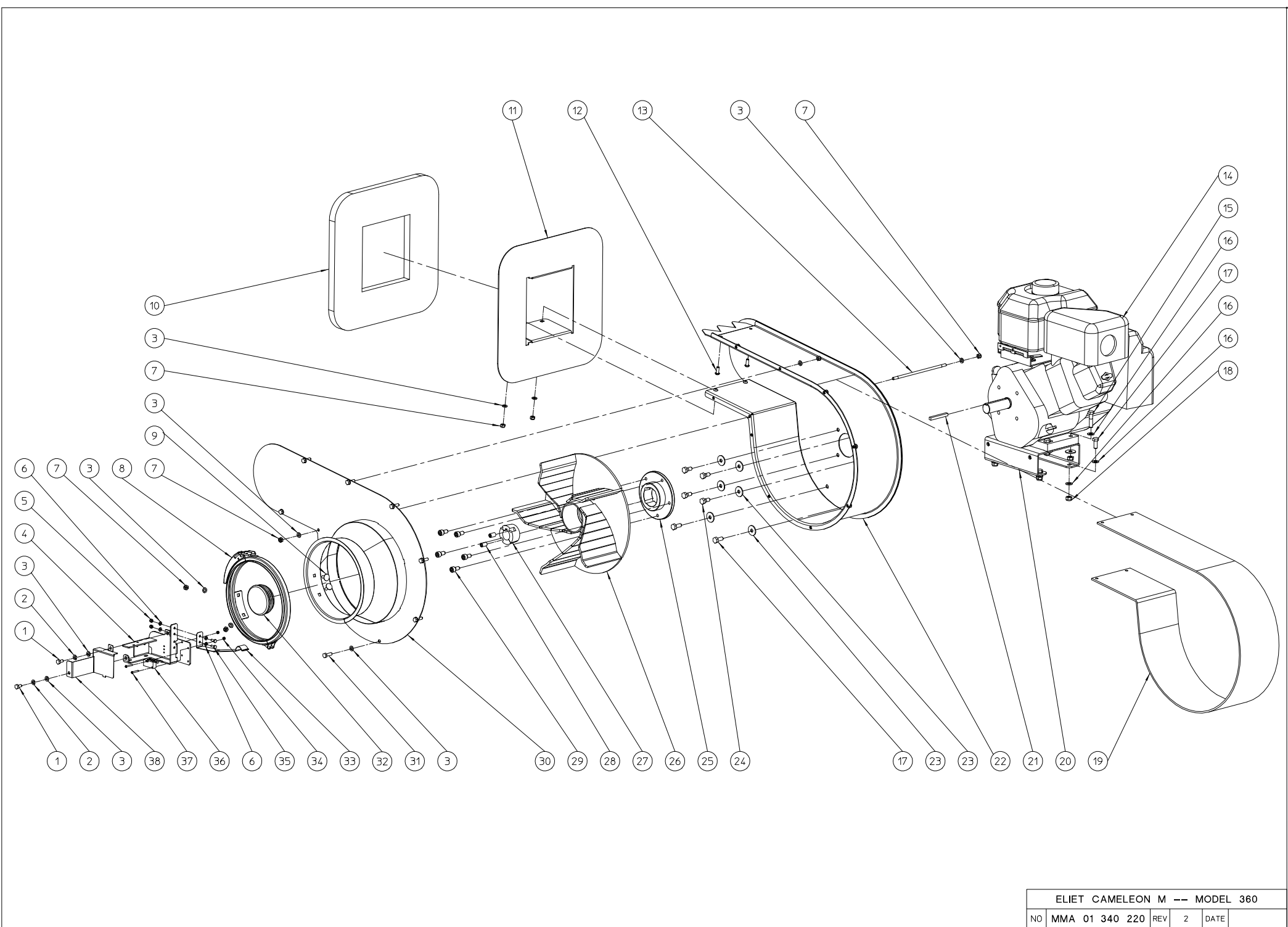
ELIET CAMELEON M 450 -- GENERAL						
NO	MMA 01 340 200	REV	2	DATE	2014/08/27	

#	Order nr	article description	quantity
10	MMA 01 340 210	model m450	1
20	MMA 01 340 220	model m360	1
30	MMA 01 340 230	machine front side	1
40	MMA 01 340 240	collector	1
50	MMA 01 340 250	suction hose assembly	1
60	MMA 01 340 260	rotor	1
70	MMA 01 340 270	comfortkit	1
80	MMA 01 340 140	shredding kit	1



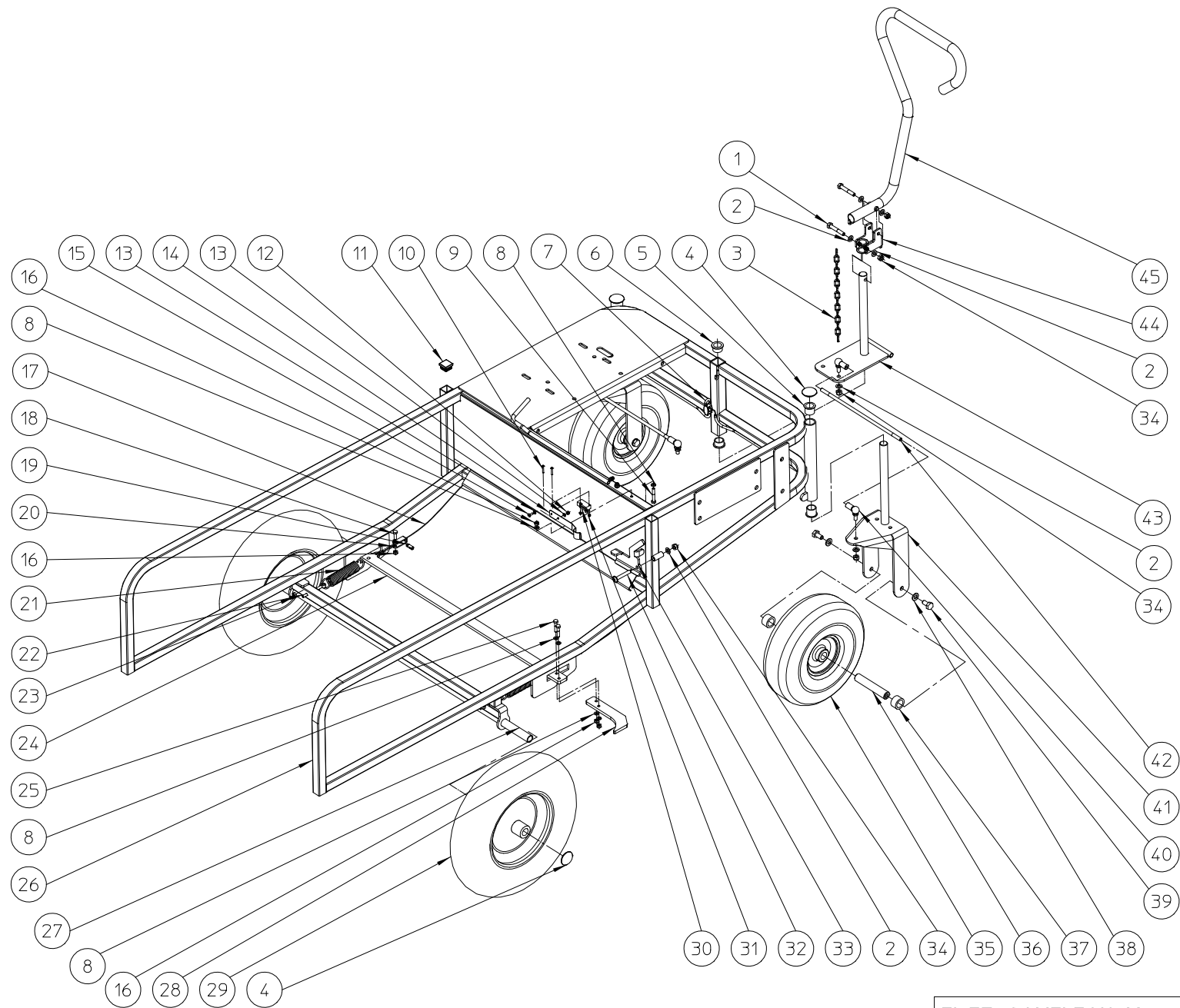
ELIET CAMELEON M --- MODEL 450					
NO	MMA 01 340 210	REV	2	DATE	2015/11/19

#	Order nr	article description	quantity
1	MPA 01 340 475	backplate turbine	1
2	BB 501 251 600	taper lock tl 2012-1"	1
3	BB 501 311 220	set screw 7/16"x7/8"	2
4	BR 181 601 500	nylon bushing (60/164x15)	1
5	BB 342 060 668	key 6.35x6.35x68 din 6880	1
6	BM 202 109 000	honda gx 270	1
7	BS 511 000 835	bolt m8x35 din 931	4
8	BS 531 000 800	washer m8 din 125	17
9	BS 532 008 356	washer m8x35x3	4
10	BS 502 000 800	self locking nut m8 din 985	6
11	BS 512 000 825	bolt m8x25 din 933	2
12	BS 534 000 800	lock washer m8 din 6798a	2
13	BS 511 040 840	bolt unf 5/16"x1"1/2	4
14	BR 900 001 600	rubber silencer cam m450	1
15	MPA 01 340 302	plate turbinehousing	1
16	MPA 01 340 225	impeller turbine	1
17	BS 531 000 600	washer m6 din 125	16
18	BS 533 000 600	lock washer m6 din 127b	12
19	MPA 01 340 530	cover contact	1
20	MPA 01 150 995	clamping ring	1
21	BS 522 500 330	screw m3x30 iso 7380	2
22	MPA 01 150 985	contact support suction hose	1
23	BS 502 000 500	self locking nut m5 din 985	2
24	BV 915 000 060	laminated spring 1mm	1
25	BE 120 010 500	safety switch	1
26	BS 531 000 300	washer m3 din 125	4
27	BS 502 000 300	self locking nut m3 din 985	4
28	MPA 01 150 980	cover plate contact	1
29	BS 531 000 500	washer m5 din 125	2
30	BS 512 000 512	bolt m5x12 din 933	2
31	MPA 01 340 550	closing plate turbine	1
32	MPA 01 340 500	supportplate turbine input	1
33	MPA 01 340 540	input tube with hose end	1
34	MPA 01 340 520	protection contact container	1
35	BS 522 500 616	screw m6x16 iso 7380	8
36	MPA 01 340 490	frontplate turbine	1
37	MPA 01 340 465	connectionshaft	2
38	BS 502 000 600	self locking nut m6 din 985	4
39	MPA 01 340 320	protectionplate	1
40	BQ 158 000 202	insulation foam	1



ELIET CAMELEON M -- MODEL 360					
NO	MMA 01 340 220	REV	2	DATE	

#	Order nr	article description	quantity
1	BS 512 000 612	bolt m6x12 din 933	2
2	BS 533 000 600	lock washer m6 din 127b	2
3	BS 531 000 600	washer m6 din 125	27
4	MPA 01 340 415	contactholder	1
5	BS 502 000 400	self locking nut m4 din 985	2
6	BS 531 000 400	washer m4 din 125	4
7	BS 502 000 600	self locking nut m6 din 985	17
8	MPA 01 150 435	quick strainer	1
9	BS 554 100 616	bolt m6x16 din 603	2
10	BQ 158 000 201	insulation foam	1
11	MPA 01 340 335	protectionplate	1
12	BS 522 500 616	screw m6x16 iso 7380	4
13	BS 581 200 601	stud ding m6x177x15x15	1
14	BM 201 205 501	engine b&s intek 5.5 hp (axle 1")	1
15	BS 511 000 835	bolt m8x35 din 931	4
16	BS 531 000 800	washer m8 din 125	14
17	BS 512 000 820	bolt m8x20 din 933	6
18	BS 502 000 800	self locking nut m8 din 985	10
19	BR 900 001 510	rubber silencer cam m360	1
20	MPA 01 340 340	enginesupport	1
21	BB 342 060 657	key 6.35x6.35x57 din 6880	1
22	MPA 01 340 325	turbinehousing	1
23	BS 532 008 254	washer m8x25x2	10
24	BS 512 040 819	bolt unf 5/16"x3/4"	4
25	BA 281 202 602	flange Ø120x26 - tl 1210	1
26	MPA 01 130 020	impeller	1
27	BB 501 221 600	taper lock tl 1210-1"	1
28	BB 501 310 160	set screw 3/8"x5/8"	2
29	BS 521 100 816	screw m8x16 din 912	5
30	MPA 01 340 330	frontplate turbine	1
31	BS 512 000 620	bolt m6x20 din 933	9
32	BR 020 501 750	round tube plug gl75	1
33	BV 920 010 010	spring	1
34	BS 502 000 300	self locking nut m3 din 985	2
35	BS 512 000 412	bolt m4x12 din 933	2
36	BE 120 010 500	safety switch	1
37	BS 522 500 320	screw m3x20 iso 7380	2
38	MPA 01 340 480	cover contact turbinetube	1

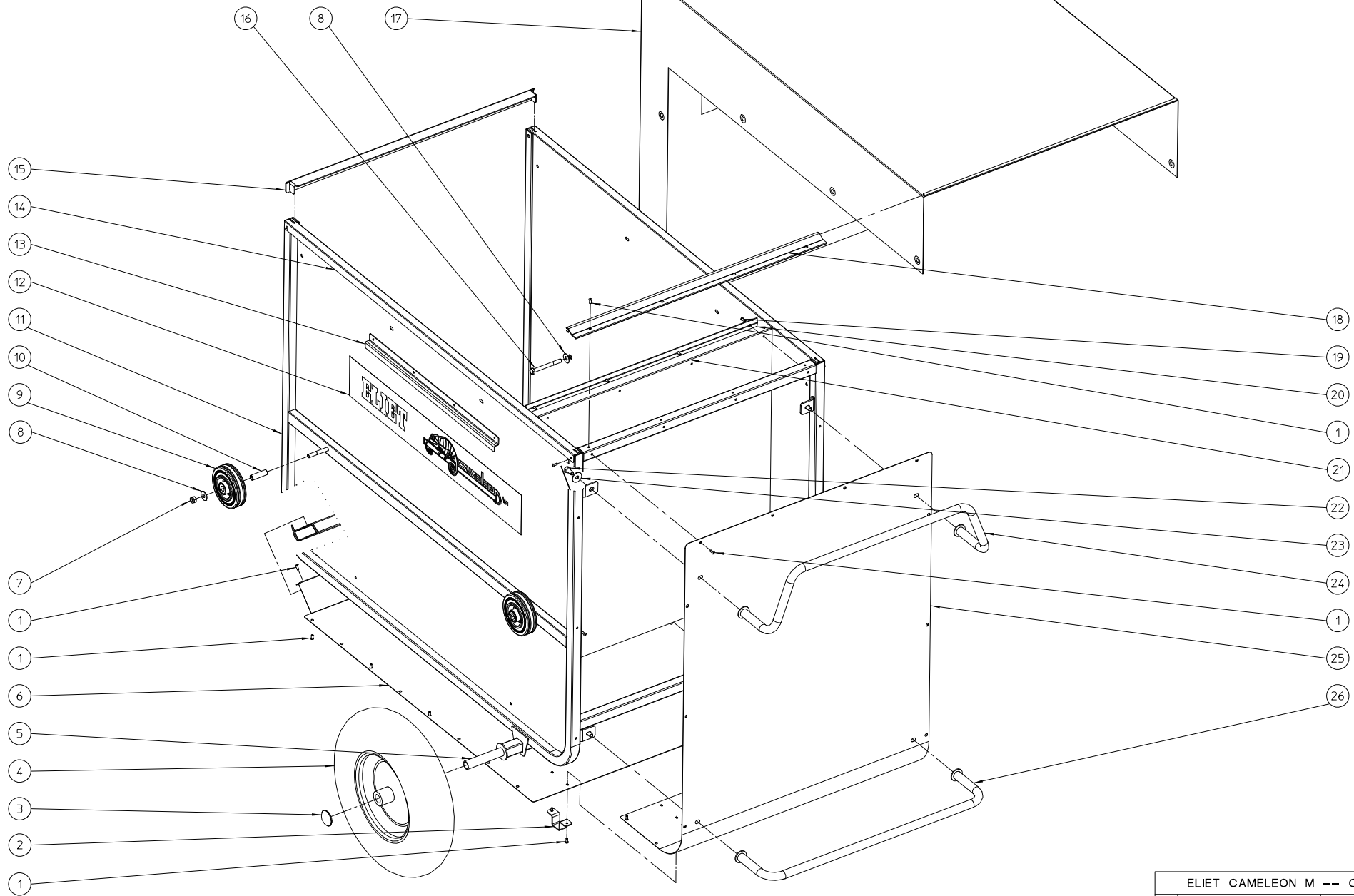


ELIET CAMELEON M -- MACHINE FRONTSIDE

NO	MMA 01 340 230	REV	3	DATE	2014/03/28
----	----------------	-----	---	------	------------

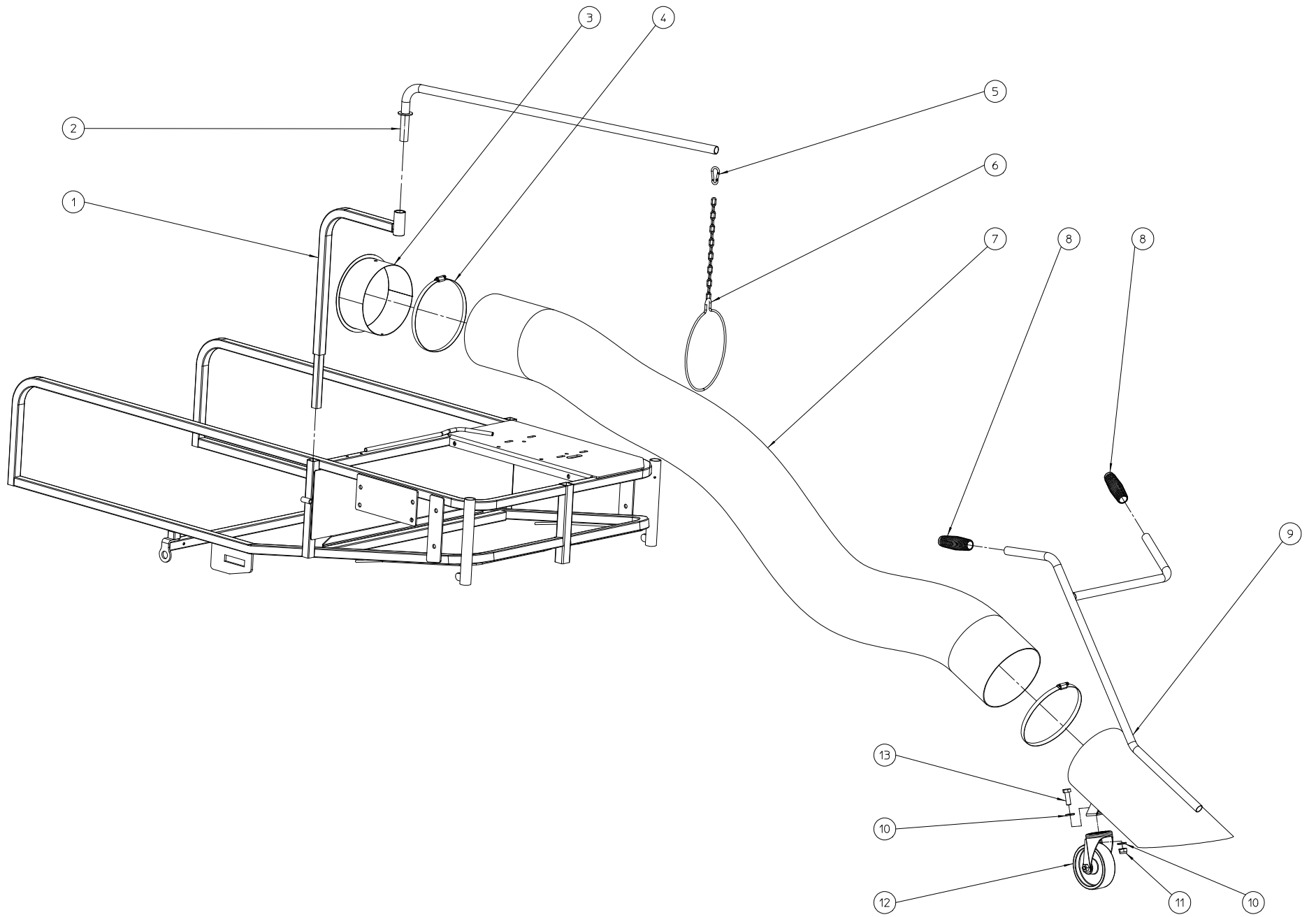
#	Order nr	article description	quantity
1	BS 511 000 842	bolt m8x50 din 931	2
2	BS 531 000 800	washer m8 din 125	9
3	BY 512 032 529	chain Ø3x13x25mm - 29cm	1
4	BB 011 000 200	starlock 20mm	4
5	BR 112 202 100	nylon bushing with collar (20/24/29x21/1)	4
6	BR 112 201 500	nylon bushing with collar (20/24/30x15/2)	2
7	BY 360 050 050	mobile pulley nylon 5mm	1
8	BS 531 000 600	washer m6 din 125	12
9	BS 511 000 640	bolt m6x40 din 931	2
10	BS 522 500 320	screw m3x20 iso 7380	2
11	BR 021 125 250	cap 25x25	1
12	BS 502 000 400	self locking nut m4 din 985	2
13	BS 531 000 400	washer m4 din 125	4
14	BV 920 010 020	spring	1
15	BS 541 000 410	screw m4x10 din 84	2
16	BS 502 000 600	self locking nut m6 din 985	8
17	BK 151 182 500	cable Ø1.8 l:2500mm	1
18	BS 512 000 620	bolt m6x20 din 933	2
19	BK 170 208 000	cable fastener 8x15mm	2
20	BK 170 541 120	clevis	2
21	BV 919 000 020	spring	2
22	BS 551 000 646	eye bolt m6x70 din 444	2
23	BS 501 000 600	nut m6 din 934	4
24	MPA 01 340 385	brakerail	1
25	BS 511 000 630	bolt m6x30 din 931	4
26	MPA 01 340 365	frame	1
27	MPA 01 340 045	tube wheelshaft	1
28	MPA 01 340 390	brake	2
29	BW 040 020 000	wheel 4.80-4	2
30	BE 120 010 500	safety switch	1
31	BS 502 000 300	self locking nut m3 din 985	2
32	BS 522 600 842	screw m8x50	1
33	MPA 01 340 170	clutching	1
34	BS 502 000 800	self locking nut m8 din 985	7
35	BW 029 020 000	wheel 4.00-4	2
36	MPA 01 340 375	wheelshaft	2
37	MPA 01 340 380	spacer wheelshaft	4
38	BS 531 001 000	washer m10 din 125	4
39	BS 512 001 020	bolt m10x20 din 933	4
40	BA 230 010 800	ball joint m8	4
41	MPA 01 340 370	fork castor wheel	2
42	BS 581 200 806	stud ding m8x300x30x30	2
43	MPA 01 340 406	control module	1
44	MPA 01 340 400	controlholder	1
45	MPA 01 340 395	control	1





ELIET CAMELEON M -- COLLECTOR					
NO	MMA 01 340 240	REV	1	DATE	2014/03/27

#	Order nr	article description	quantity
1	BB 221 104 100	pop plug alu 3.9x10 din 7337 a	40
2	MPA 01 340 130	clamp strap	2
3	BB 011 000 200	starlock 20mm	2
4	BW 040 020 000	wheel 4.80-4	2
5	MPA 01 340 045	tube wheelshaft	1
6	MPA 01 340 435	under-palett	1
7	BS 502 000 800	self locking nut m8 din 985	4
8	BS 532 008 223	washer m8x22x1.5	8
9	BW 110 012 000	wheel 100/30	4
10	MPA 01 340 450	shaft roller	4
11	MPA 01 340 425	chassis container	1
12	BQ 501 230 020		2
13	MPA 01 340 525	guide magnets	2
14	MPA 01 340 440	sideplate	2
15	MPA 01 340 460	support front	1
16	BS 511 000 847	bolt m8x70 din 931	4
17	BY 723 010 040	sail	1
18	MPA 01 340 545	alu profile deflector	1
19	BB 221 104 120	pop plug alu 3.9x12 din 7337 a	4
20	MPA 01 340 165	holder rubber	1
21	BR 900 001 630	rubberflap - cameleon m450	1
22	BS 512 000 816	bolt m8x16 din 933	4
23	BS 532 008 254	washer m8x25x2	4
24	MPA 01 340 140	steering bracket top	1
25	MPA 01 340 430	rear plate	1
26	MPA 01 340 145	steering bracket under	1



NO	MMA 01 340 250	REV	2	DATE
----	----------------	-----	---	------

#	Order nr	article description	quantity
1	MPA 01 340 455	holder swingarm	1
2	MPA 01 340 075	swingarm	1
3	MPA 01 150 400	fixation suction pipe	1
4	BT 670 217 200	hose clamp 175x200mm	2
5	BY 522 051 200	snap hook 5x50	1
6	MPA 01 340 175	supportring + chain suction hose	1
7	BR 220 420 020	flexible suction pipe Ø20x200cm	1
8	BN 230 100 400	rubber grip	2
9	MPA 01 340 470	suctionmouth	1
10	BS 531 001 200	washer m12 din 125	2
11	BS 502 001 200	self locking nut m12 din 985	1
12	BW 411 455 480	caster wheel 125/38	1
13	BS 512 001 235	bolt m12x35 din 933	1