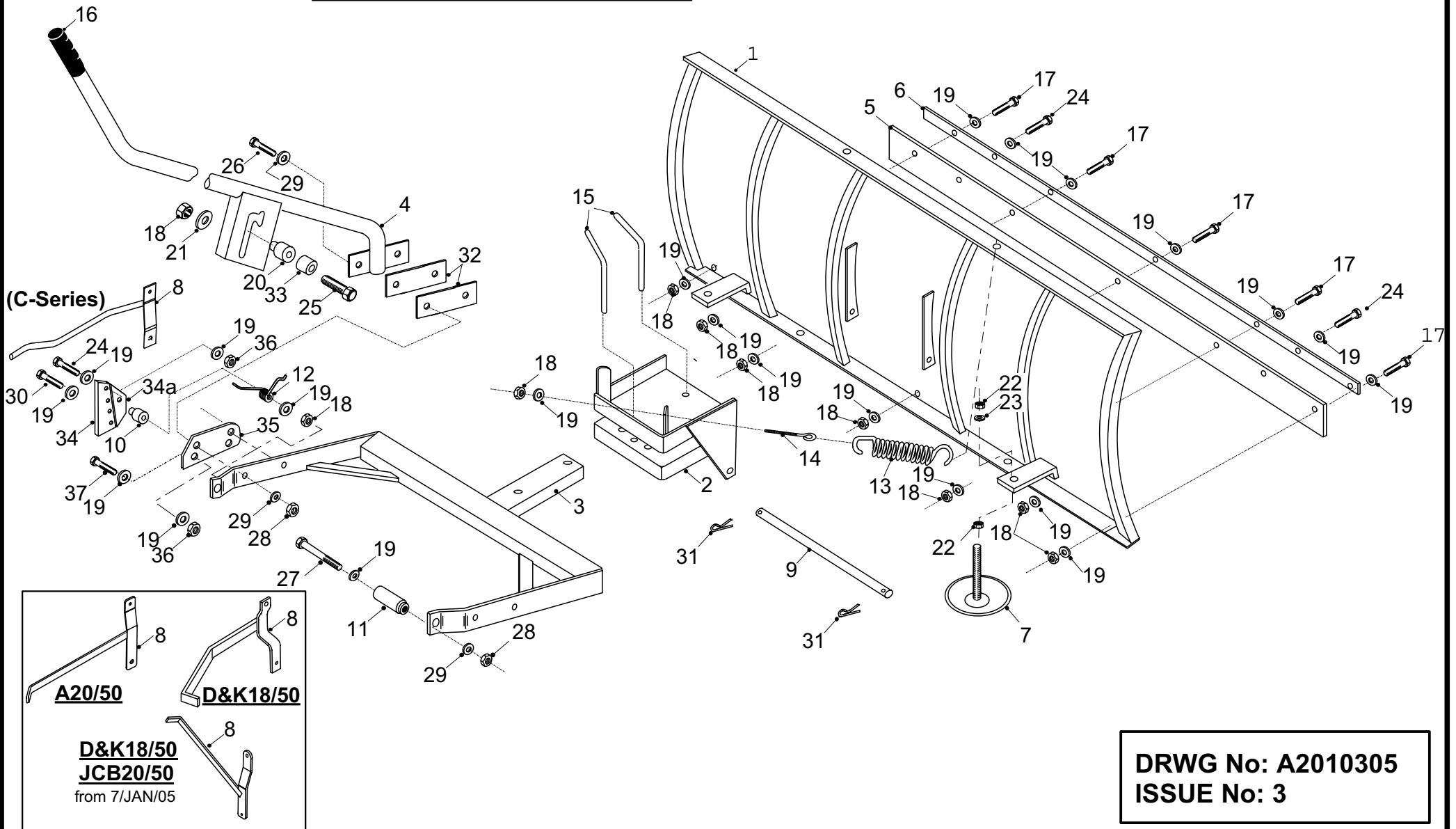


Countax Snowblade 2005



DRWG No: A2010305
ISSUE No: 3

COUNTAX SNOW BLADE 2005 PARTS LIST

	PART DESCRIPTION	PART NUMBER
1	Blade Assembly	321000700
2	Blade Pivot Assembly	32713000
3	Blade Attachment Assembly	321000600
4	Handle	17713200
5	Rubber Strip	14854500
6	Rubber Fastening Strip	30121600
7	Skid	32713300
8	Pedal Assembly – C-Series Pedal Assembly – A2050 Pedal Assembly – D1850 & K1850 Pedal Assembly** – D1850 / K1850 & JCB 2050 **from 7/Jan/05	327021200 327175300 327178400 32948600
9	Pivot Pin	18318200
10	Pedal Pivot Spacer	18303000
11	Blade Attachment Pivot Spacer	18300200
12	Torsion Spring	25870500
13	Blade Spring	25870600
14	Eye Bolt	18871300
15	Locking Pin	31300300
16	Plastic Handle Grip	14863200
17	Bolt 5/16" UNF x 1.1/4"	01820600
18	Nyloc Nut 5/16" UNF	04827500
19	Washer 5/16" T4 HP	04819700
20	Height Spacer 2002	183004600
21	Washer 40mm x 10mm	08118200
22	Locknut 3/8" UNF	04821400
23	Washer M12	088001200
24	Bolt M8 x 35mm	018001600
25	Bolt M8 x 50mm	018002300
26	Bolt M10 x 30mm	018002100
27	Bolt M10 x 85mm	018001900
28	Nyloc Nut 10mm	048000600
29	Washer M10mm	088001300
30	Bolt M8 x 50mm	018001800
31	'R' Clip	11836700
32	Handle Spacer 2002	318952800
33	Height Spacer Extension	187186300
34	Snowblade Front Plate (D & K Series)	307178500
34a	Snowblade Front Plate (small) (D & K Series)	307180600
35	Snowblade Connection Plate (D & K Series)	307180700
36	Nut Nyloc M8	04850600
37	Bolt M8 x 25mm	02826000

MAY 2006