

A20/50 TRACTOR PARTS LIST INDEX

- 1. FRONT AXLE ASSEMBLY**
- 2A. TWIN EXHAUST(B&S ENGINE) ASSEMBLY**
- 2B. TWIN EXHAUST(HONDA ENGINE) ASSEMBLY**
- 3. TWIN CYLINDER ENGINE(B&S) ASSEMBLY**
- 4A. MK-1 BONNET ASSEMBLY**
- 4B. MK-2 BONNET & TWIN CYLINDER
HONDA ENGINE ASSY**
- 5. CONSOL ASSEMBLY**
- 6. SEAT & REAR BODY ASSEMBLY**
- 7. FRONT ACTUATOR & DECK CRADLE
ASSEMBLIES**
- 8. P.T.O. TRANSMISSION ASSEMBLY**
- 8A. P.T.O. TRANSMISSION ASSEMBLY -
HAND CLUTCH / BRAKE CONTROL**
- 9. HAND CLUTCH/BRAKE CONTROL
TUFF TORQ HYDROSTATIC ASSEMBLY**
- 9A. HAND CLUTCH/BRAKE CONTROL
TUFF TORQ HYDROSTATIC ASSEMBLY-
from Serial No: 00126...**
- 10A. ELECTRICAL PARTS (Pre Operators
Management System)**
- 10B. ELECTRICAL PARTS (HE Operators
Management System)**
- 11. RUNNING BOARD & REAR BODY ASSEMBLY -
HAND CLUTCH / BRAKE CONTROL from
Serial No: 00216...**
- 11B. A20/50H RUNNING BOARD & REAR BODY
- HAND CLUTCH / BRAKE CONTROL**
- 12. TRACTOR DECALS**

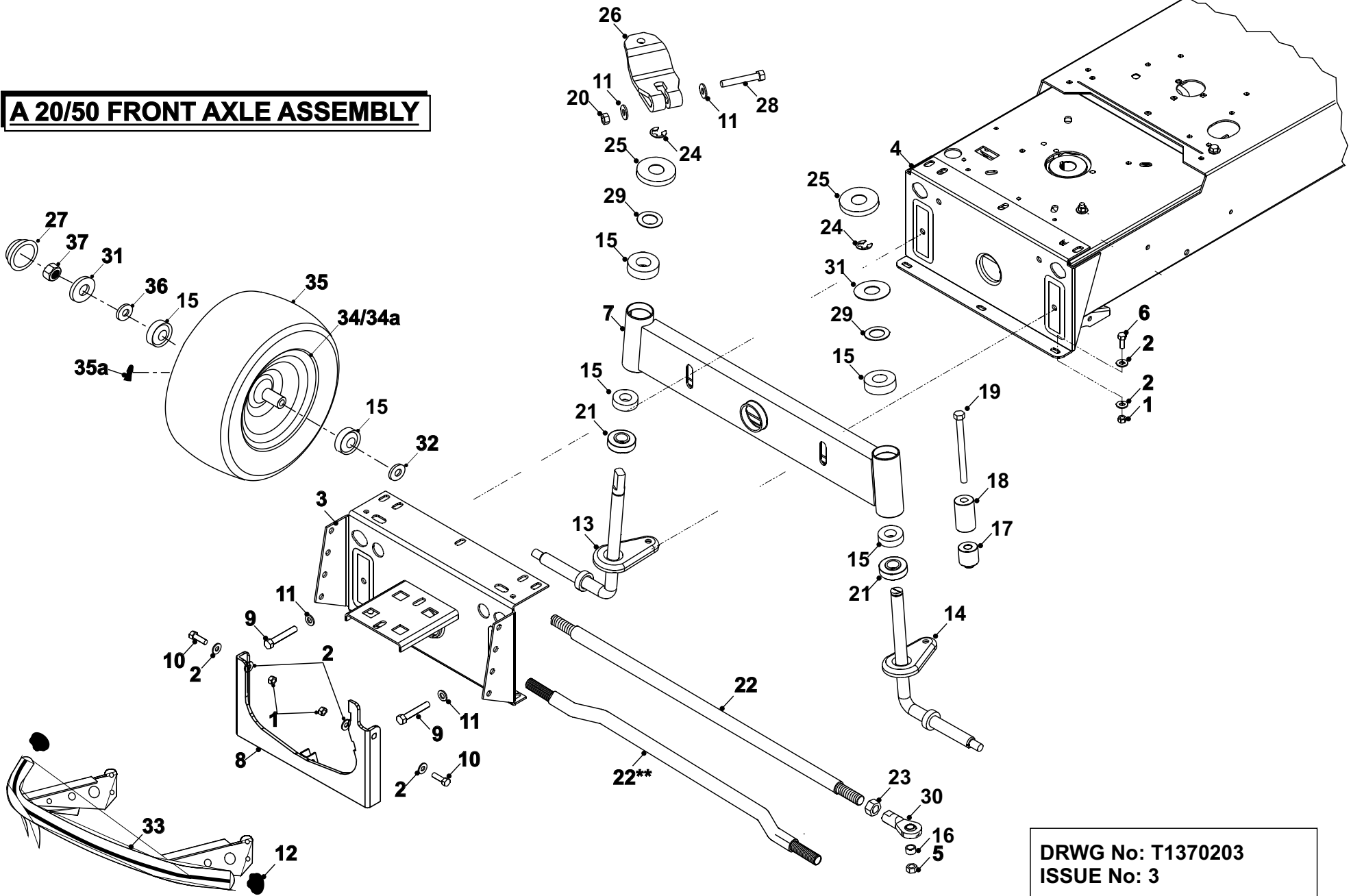
COUNTAX[®]



A20/50 TRACTOR
SERVICE DRAWINGS
& PARTS LIST

OCTOBER 2006

A 20/50 FRONT AXLE ASSEMBLY



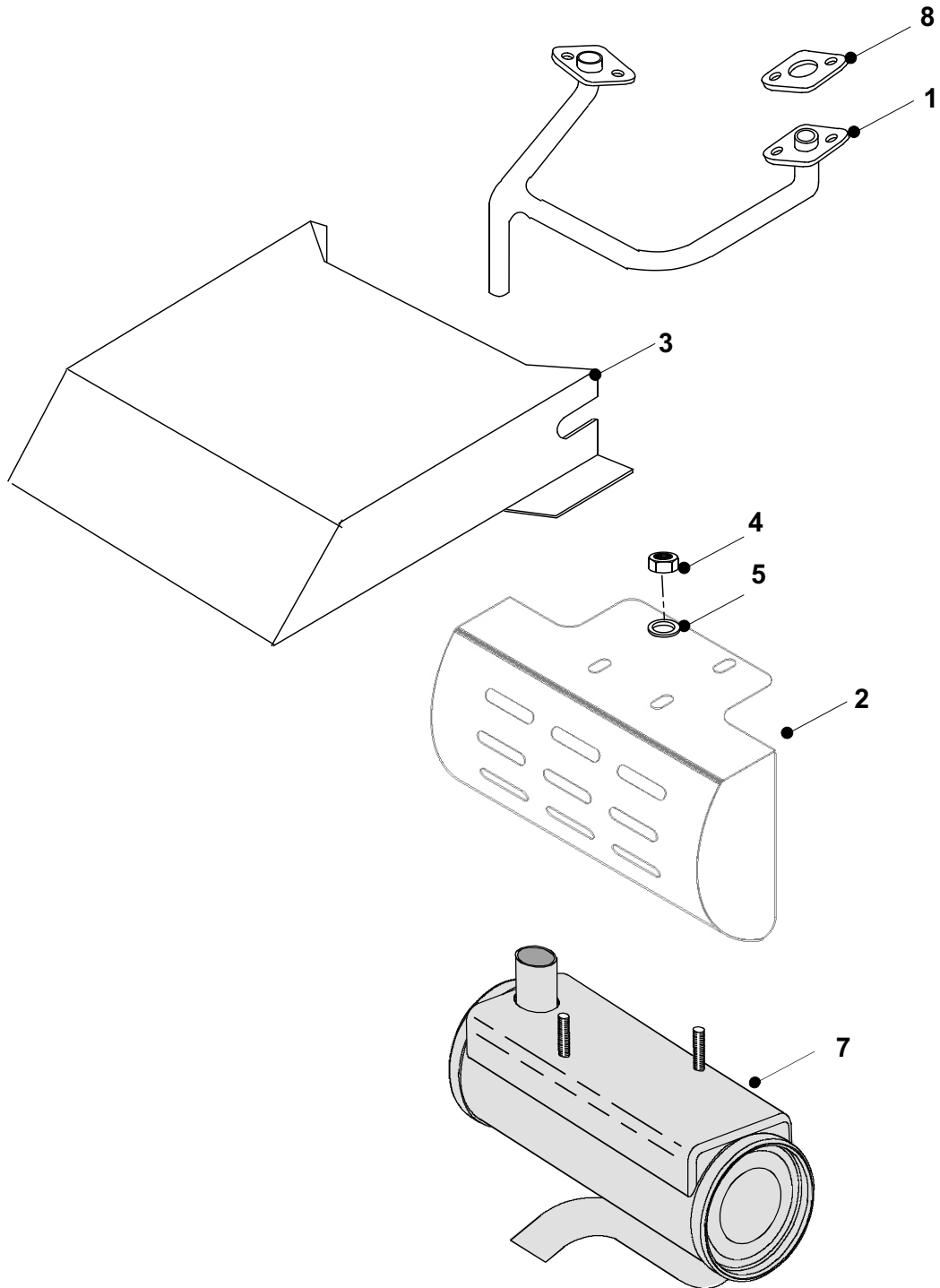
DRWG No: T1370203
ISSUE No: 3

SECTION 1.

**A20/50 2006 TRACTOR
FRONT AXLE ASSEMBLY PARTS LIST**

	PART DESCRIPTION	PART NUMBER
1	M8 Nyloc Nut	04850600
2	M8 Washer	08819501
3	Chassis Front	27115500
4	Chassis	327006300
5	M12 Nyloc Nut	049381100
6	Bolt M8 x 20mm	02825900
7	Axle Beam C-Series & A20/50	327014700
8	Deck Tension Cradle	327365700
9	M10 x 60mm Coach Bolt Zinc / Clear	018005000
10	Bolt M8 x 25mm Roofing Bolt	01902300
11	Washer 10.8id x 20.7od x 2mm Thk	088002400
12	Stainless Steel Bullbar Plastic End Cap	148014400
13	R.H. Stub Axle 20/50 2002 Model	327178200
14	L.H. Stub Axle Welded 2002 Version	327178300
15	Front Wheel Bearing	10802200
16	20/50 Steering Link Rod Spacer	183012800
17	20/50 Steering Link Rod Spacer	183012700
18	20/50 Steering Link Support Spacer	183012600
19	Bolt M12 x 120mm	018002200
20	M8 Nyloc Nut	04850600
21	Stub Axle Spacer	183006200
22	20/50 Track Rod	183012900
22**	Shaped Track Rod For 2050 Problem Tractors	183018200
23	Nut M12	049381200
24	19mm Circlip External cia1400/19	07921200
25	Slinger	32121800
26	20/50 Steering Arm 2002 Model	327177000
27	Hub Cap (Moulded)	14811800
28	Bolt M8 x 50mm	018001800
29	Washer 32mm x 19.5mm	30127900
30	M12 Rod End Joint 20/50	10872800
31	Hub Cap Washer Front Wheel	30128100
32	Washer 3/4" T3 ZP	08822900
33	Stainless Steel A/C Bullbar	327028000
34	20/50 Complete Front Wheel	198001400
34a	Wheel Rim – Supplied Through Sales Dept	198001900
35	20/50 Front Tyre	198000600
35a	Wheel Valve	14889200
36	Washer M12 x 24x 1.6	088003600
37	M12 Nyloc Nut	049381100

**A20/50 TWIN EXHAUST ASSEMBLY
BRIGGS & STRATTON ENGINE**



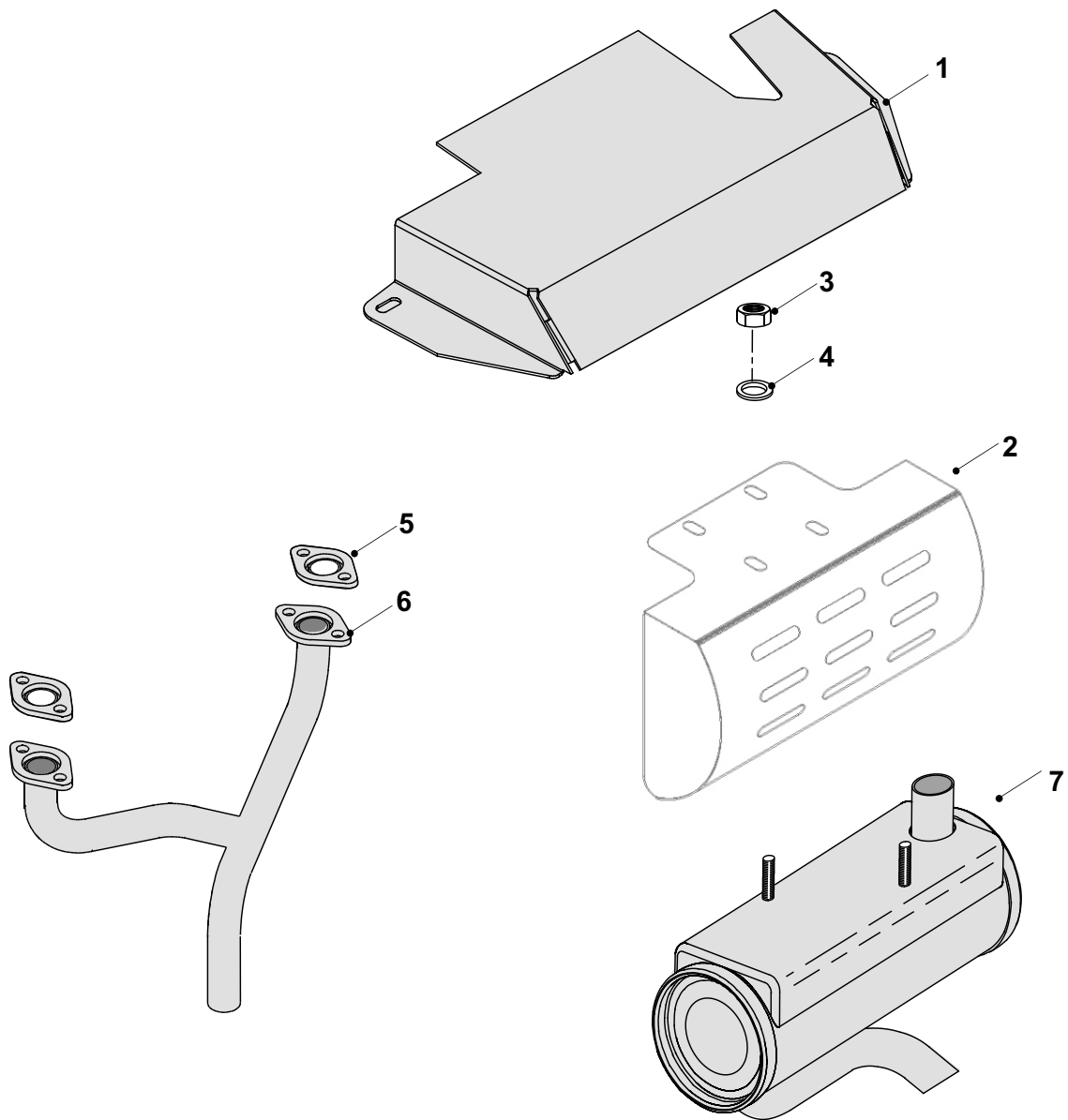
**DRWG No : T130A0101
ISSUE No : 1**

SECTION 2A.

**A20/50 TRACTOR
EXHAUST ASSEMBLY
BRIGGS & STRATTON
PARTS LIST**

	PART DESCRIPTION	PART NUMBER
1	Twin Exhaust – C Series / 2050 B & S	327172300
2	Exhaust Cover Galvanised	307199700
3	Exhaust Heat Shield C600/800	52100000
4	Full Nut Heax M8 Z/P	04822300
5	Washer M8	08815901
6	Exhaust Paste (not illustrated)	52923800
7	2003 Exhaust R/H Outlet	328956300
8	Exhaust Gaskets	(Supplied By Briggs & Stratton)

**A20/50H TWIN EXHAUST ASSEMBLY
HONDA GXV620 ENGINE**



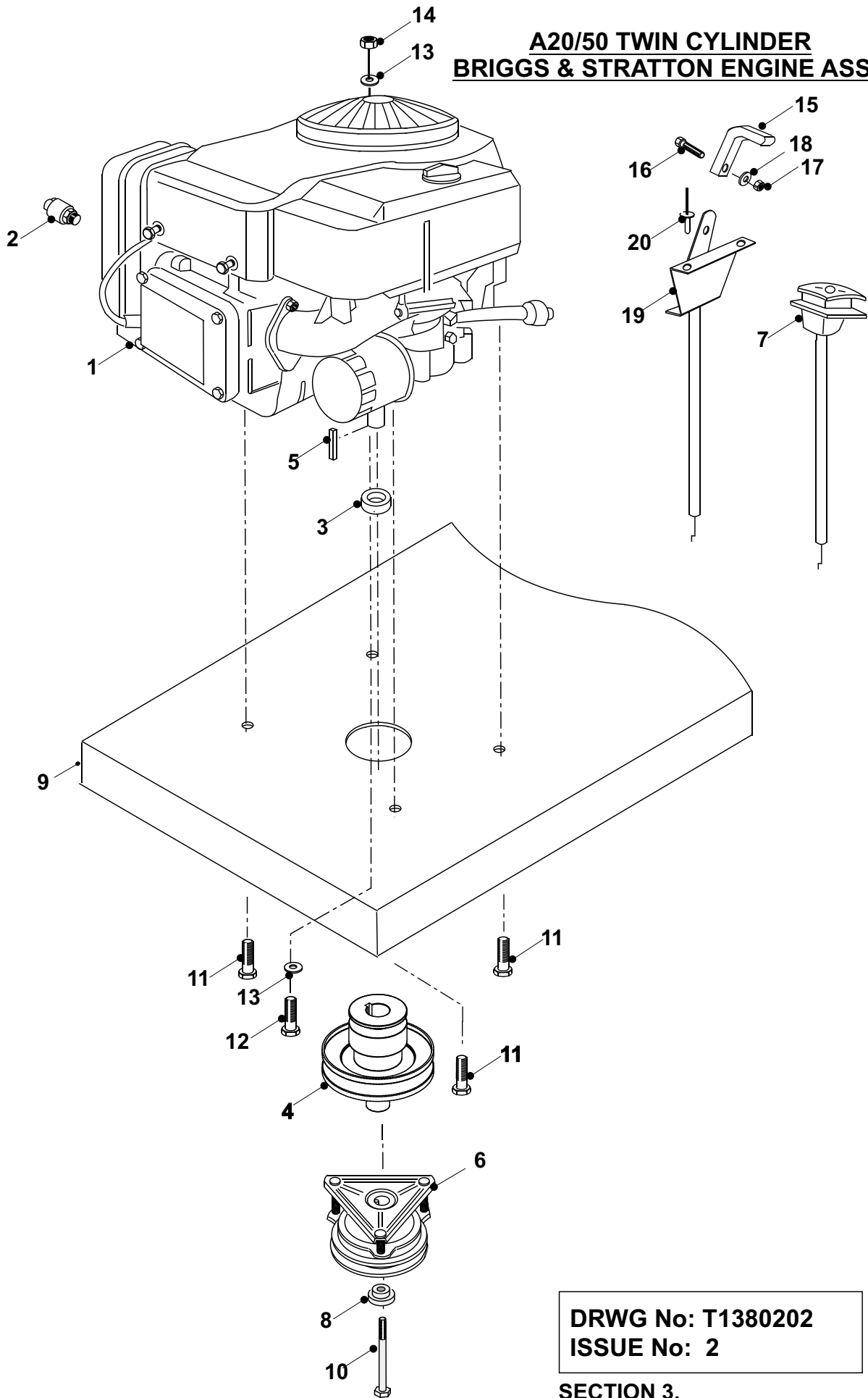
**DRWG No : T130B0101
ISSUE No : 1**

SECTION 2B.

**A20/50H TRACTOR
EXHAUST ASSEMBLY
HONDA GXV620 ENGINE
PARTS LIST**

	PART DESCRIPTION	PART NUMBER
1	Zintec Heat Shield 18/20HP GXV620	301138000
2	Exhaust Cover Galvanised	307199700
3	Full Nut Heax M8 Z/P	04822300
4	M8 Washer	08819501
5	Exhaust Gasket	Supplied by Honda
6	2002 Honda 18/20HP Exhaust Pipe	327026400
7	2003 Exhaust R/H Outlet	328956300
8	Exhaust Paste (not illustrated)	52923800

**A20/50 TWIN CYLINDER
BRIGGS & STRATTON ENGINE ASSY**



**DRWG No: T1380202
ISSUE No: 2**

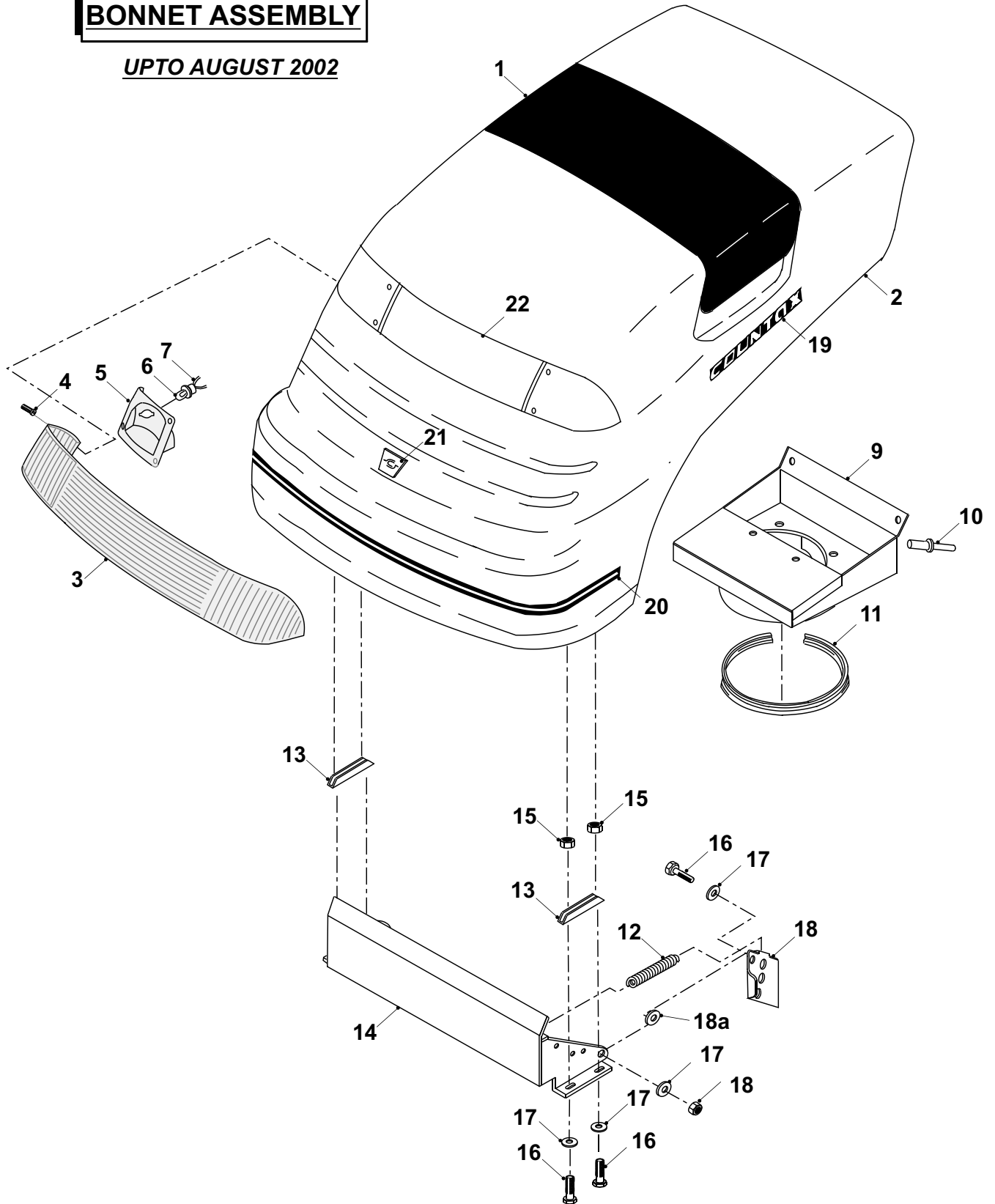
SECTION 3.

**A20/50 TRACTOR
ENGINE ANCILLARY PARTS LIST**

	PART DESCRIPTION	PART NUMBER
1	Engine - Not Available From Countax	N/A
2	Oil Drainage Valve	52851200
3	Engine Pulley Spacer	31854000
4	Tractor 20-50 Engine Pulley	327006500
5	Engine Key	09853400
6	Electric Clutch 20/50	44815200
7	Choke Cable	RCL29005800
8	2050 Engine Pulley Cap	183016800
9	Chassis	327006300
10	Bolt 7/16" UNF x 6"	01853300
11	3/8" UNC x 1.1/4" Bolt BZP	01848700
12	M8 x 40mm Bright Zinc Plate Bolt	018003200
13	M8 Washer	08819501
14	M8 Nyloc Nut	04850600
15	Control Knob (Throttle Cable)	14810400
16	M4 x 10 Posi S/s Z/P	02847800
17	M4 Nyloc T	04826400
18	M4 Form A Washer BZP	08826200
19	Twin Throttle Control (14,16,18 & 20HP Engines)	528004900
20	Pop Rivet 3.2mm x 9mm 1041-3209	12863100

**A20/50 MK-1
BONNET ASSEMBLY**

UPTO AUGUST 2002

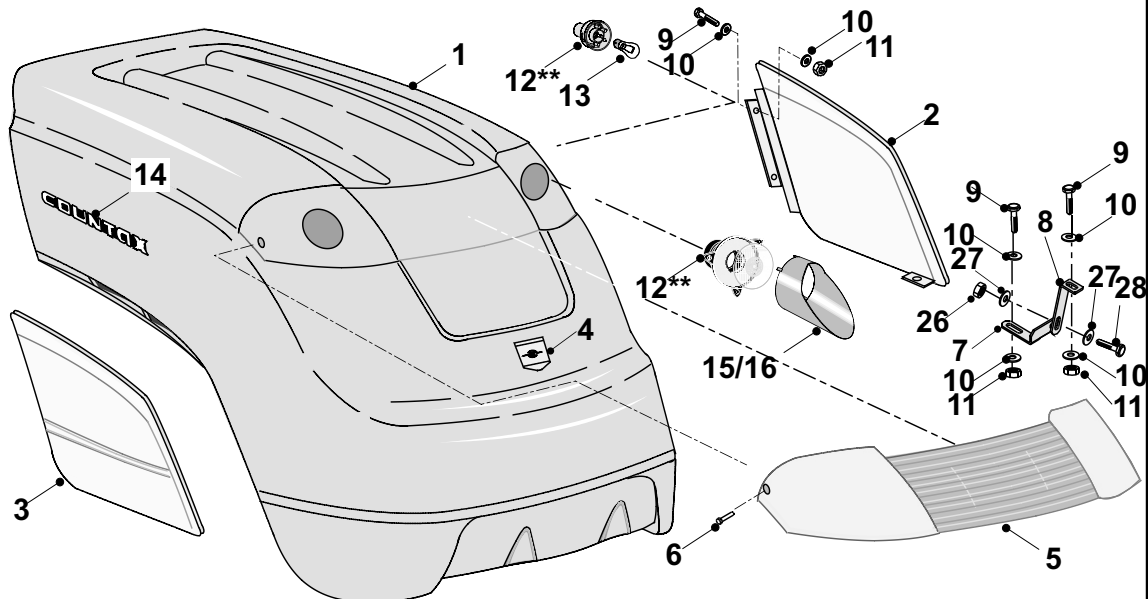


**DRWG No: T1299901
ISSUE No: 1**

SECTION 4A.

**A20/50 TRACTOR
BONNET ASSEMBLY PARTS LIST**

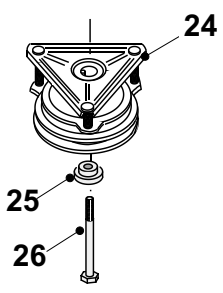
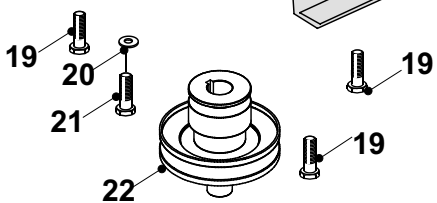
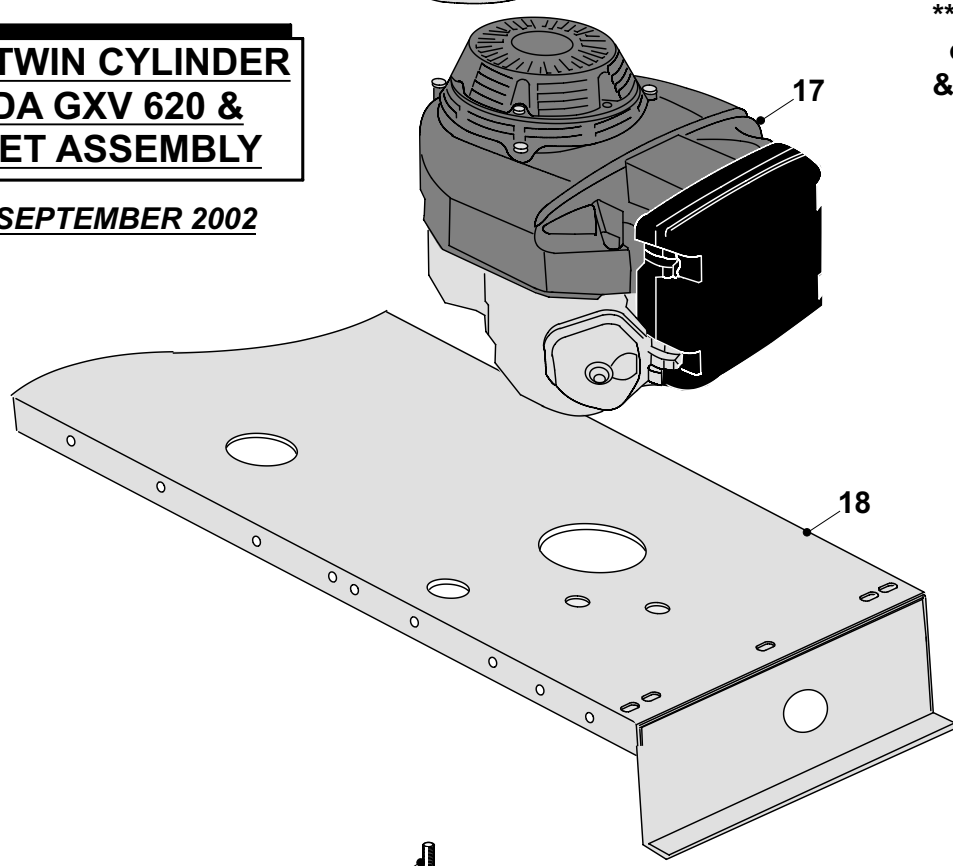
	PART DESCRIPTION	PART NUMBER
1	Bonnet Cowel 95/96	14929100
2	Bonnet 20/50	148003800
	Complete Bonnet A20/50 Bonnet	405004900
3	Headlamp Lens 96 C.Series	14932800
4	6 x 8mm Pozi S/S S/Tap	02913100
5	Headlamp Reflector (R/H)	14932700
	Headlamp Reflector (L/H)	14932600
6	12 Volt Pole Bulb	44816200
7	Bulb Holder	44816100
8	Light Loom 3894 (not Illustrated)	44813900
9	20/50 Bonnet Cowl	327013400
10	Rivet 4.8mm x 16mm Alloy Pop 1031-4816	12860100
11	Bonnet Rubber Trim	14896100
12	Spring	25805200
13	Bonnet Hinge Plate	27116500
14	Bonnet Hinge	32730100
15	M8 Nyloc Nut	04920100
16	Screw 8mm x 25mm	02819600
17	M8 Washer	08819501
18	Bonnet Hinge Stop (LH)	27103300
	Bonnet Hinge Stop (RH)	27113600
18a	Bonnet Pivot Boss	31306100
19	Pegged Badge Countax (Countax Yellow)	35932500
20	Bumper Strip Decal	35931100
21	Decal C.Series Badge	35929300
22	Decal – Headlamp Strip	35931200
23	Decal A20/50 Drive Belt (not illustrated – Decal location under bonnet)	358009801



**A20/50 TWIN CYLINDER
HONDA GXV 620 &
BONNET ASSEMBLY**

FROM SEPTEMBER 2002

****Item 12 comprises
of Bulb Holder
& Headlight Unit**



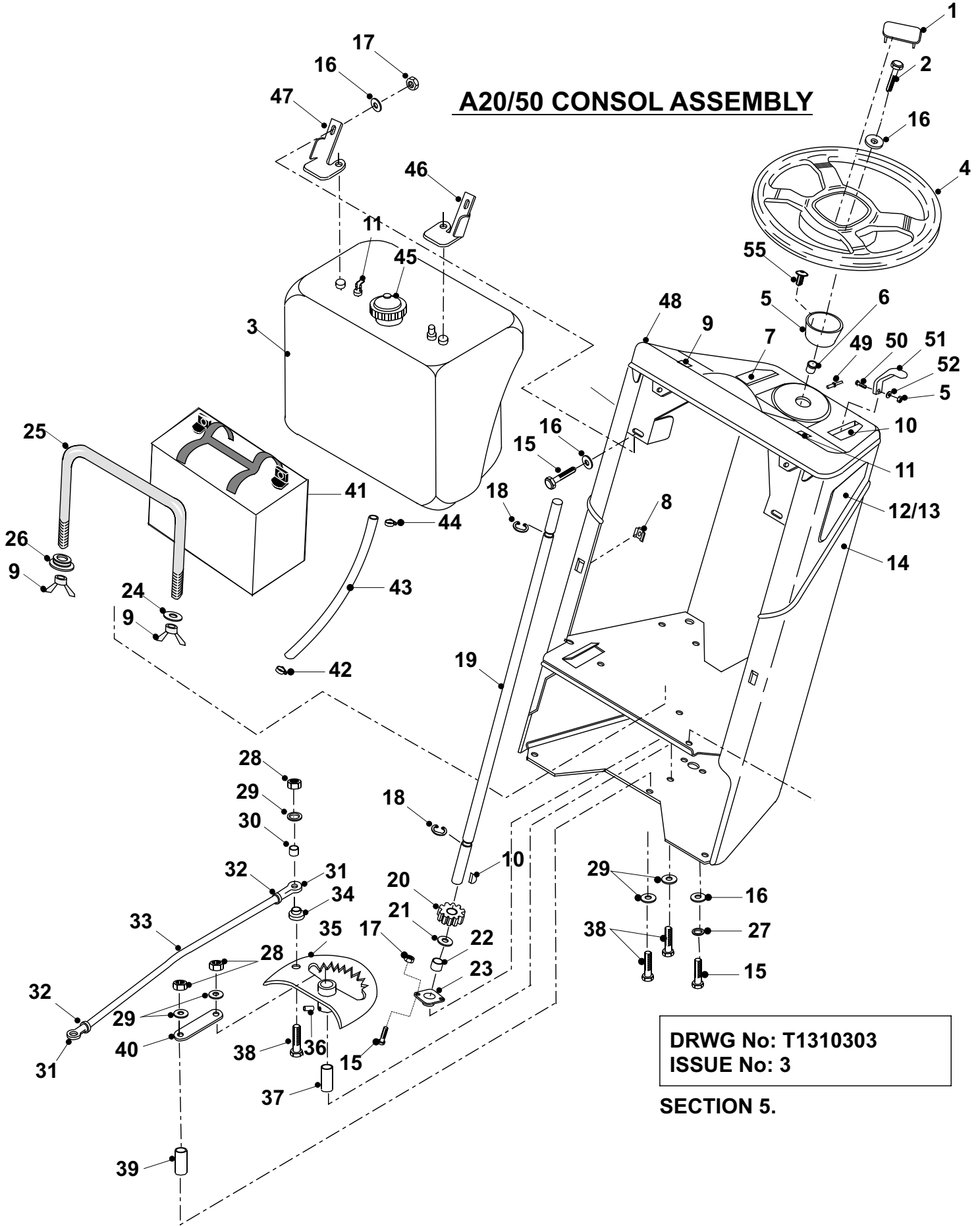
**DRWG No: T2170301
ISSUE No: 1**

SECTION 4B.

**A20/50 MK-2 BONNET
& TWIN CYLINDER HONDA GXV 620 ENGINE ASSY
PARTS LIST**

	PART DESCRIPTION	PART NUMBER
1	Bonnet	405008100
2	Engine Side Panel L/H	148014100
3	Engine Side Panel R/H	148014200
4	Countax `C` Badge	35929300
5	Bonnet Headlight Lens	148013400
6	Screw M4 x 16mm Countersunk Socket Head	018005100
7	Side Panel Base Bracket L/H Side Panel Base Bracket R/H	301137200 301137300
8	Side Panel Top Bracket L/H Side Panel Top Bracket R/H	301137600 301137700
9	M/Screw M8 x 20mm	028000200
10	Washer M6	088000300
11	Nut Nyloc M6	048001000
12	Headlight Unit - Hella	448008400
13	Headlight bulb 21w - Hella	448008500
15	Headlight Can L/H	148013500
16	Headlight Can R/H	148013600
17	Honda Engine GVX 620 (18 & 20HP)	Not Available From Countax
18	Chassis	327006301
19	Bolt 3/8" UNC x 1.1/4"	01848700
20	Washer 5/16" T4 HP	08819700
21	Bolt 5/16" UNF x 1.1/2"	01820700
22	Engine Pulley	327006500
23	Clutch Spacer (clutch kit only)	31330300
24	Warner Electric clutch	44815200
25	Pulley Cap	183016800
26	Bolt 7/16" UNF x 6"	01853300

A20/50 CONSOL ASSEMBLY



DRWG No: T1310303
ISSUE No: 3

SECTION 5.

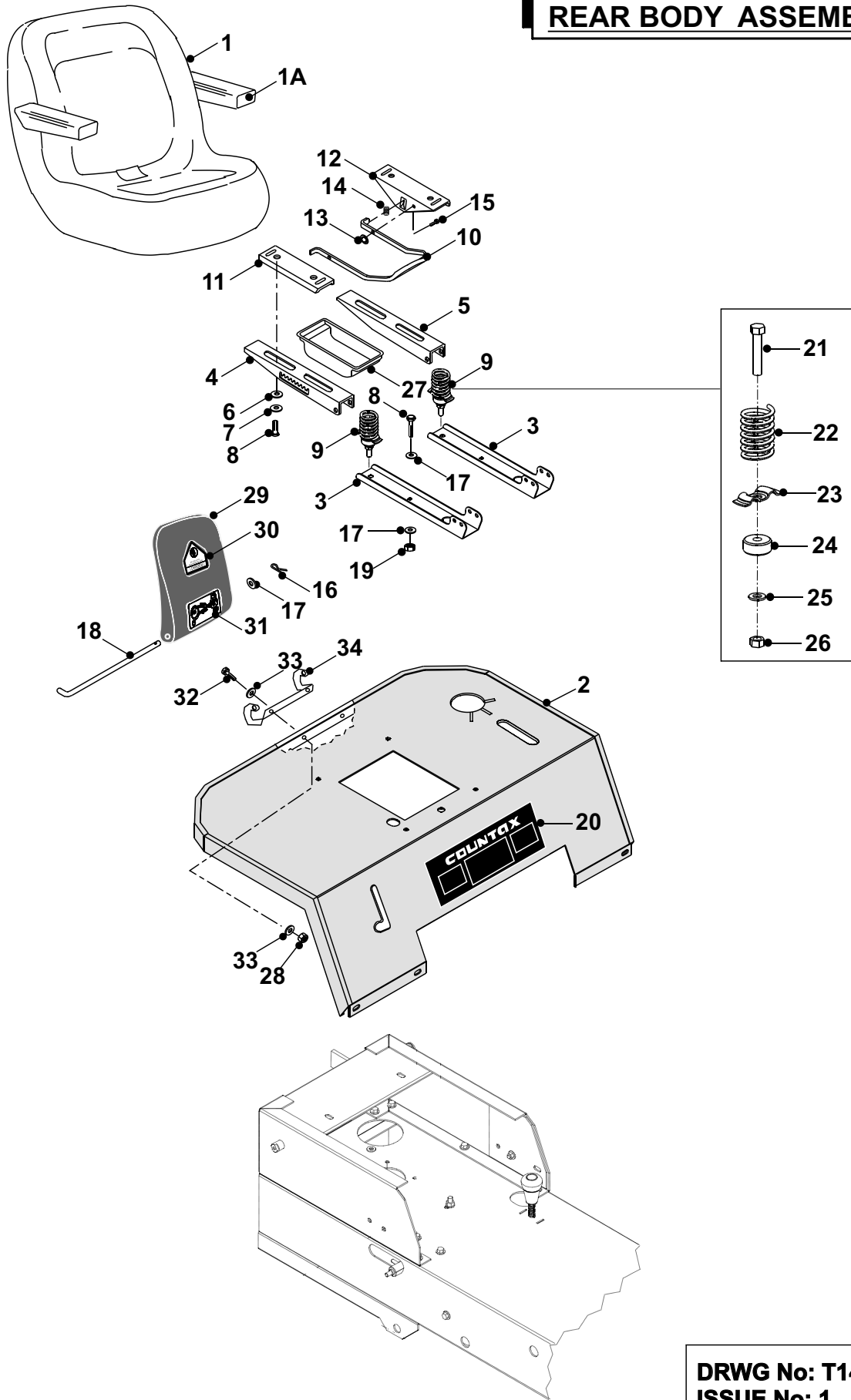
**A20/50 TRACTOR
CONSOL ASSEMBLY PARTS LIST**

	PART DESCRIPTION	PART NUMBER
1	C-Series Steering Wheel Cap	14938700
2	Screw M8 x 25mm	01916900
3	Fuel Tank with hole for gauge 03	148015400
4	Steering Wheel '96	14928200
5	M4 Nyloc T	04826400
6	Column Upper Bush	14801800
7	6 x 8 Pozi S/S S/Tap	02913100
8	M6 x 3mm Captive Nut	049381900
9	Wing Nut 1/4" Bsw	04822600
10	Key	09823900
11	Fuel Level Sender (Gentech)	448010600
12	Rubber Knee Pad R/H	14859200
13	Rubber Knee Pad L/H	14859300
14	2002 Consol `A' Tractor	327028400
15	Bolt M8 x 20mm	02825900
16	M8 Washer	08819501
17	M8 Nyloc Nut	04920100
18	Circlip 5/8"	07823800
19	Steering Column	31328400
20	Steering Gear 20/50	213112100
21	Washer 5/8" T3 LP	08822700
22	Steering Rod Spacer	18401500
23	Column Lower Bearing	10801700
24	Washer 9/16"	08827800
25	Battery Clamp	313008500
26	Bonnet Pivot Boss	31306100
27	M8 Star Washer	088000800
28	Nyloc Nut M12 `T' Fine	04836100
29	M12 Washer	088001200
30	Spacer 7mm x 3/8" i.d.	31302900
31	M12 Rod Joint 20/50	108728000
32	Nut M12	049381200
33	20/50 Steering Rod	313007400
34	Rose Joint Shoulder Boss (Short)	31339600
35	A2050 19 tooth Steering Quadrant Special	301134100
36	Grease Nipple	11808600
37	Steering Rack Pivot	31337400

**A20/50 TRACTOR
CONSOL ASSEMBLY PARTS LIST**

	PART DESCRIPTION	PART NUMBER
38	M12 x 60mm Bolt	019478800
39	Steering Support Boss	31337500
40	Steering Link Plate	27102400
41	Battery Dry Charged	458141300
42	Hose Clip (Spring Type)	11867100
43	Fuel Feed Pipe	14803200
44	Jubilee Clip (Fuel Tank Hose)	11856900
45	Fuel Tank Cap	52803100
46	F/Tank Bracket L/H	27115800
47	Fuel Tank Bracket R/H	27115900
48	Consol Top 2002	148012801
49	Consol Top Insert Upper Left (Not Illustrated)	148012900
	Consol Top Insert Upper Right (Not Illustrated)	148013000
	Consol Top Insert Lower Left (Not Illustrated)	148013100
	Consol Top Insert Lower Right (Not Illustrated)	148013200
50	M4 x 12 Pozi Pan S/S zinc plated	02826300
51	Control Knob (Throttle Cable)	14810400
52	M4 Form A Washer BZP	08826200

A20/50 SEAT & REAR BODY ASSEMBLY



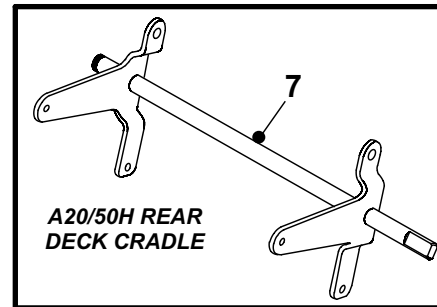
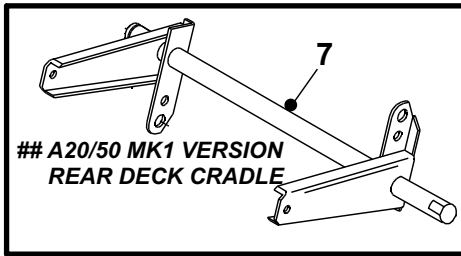
DRWG No: T1409901
ISSUE No: 1

SECTION 6.

**A20/50 SEAT & REAR BODY ASSEMBLY
PARTS LIST**

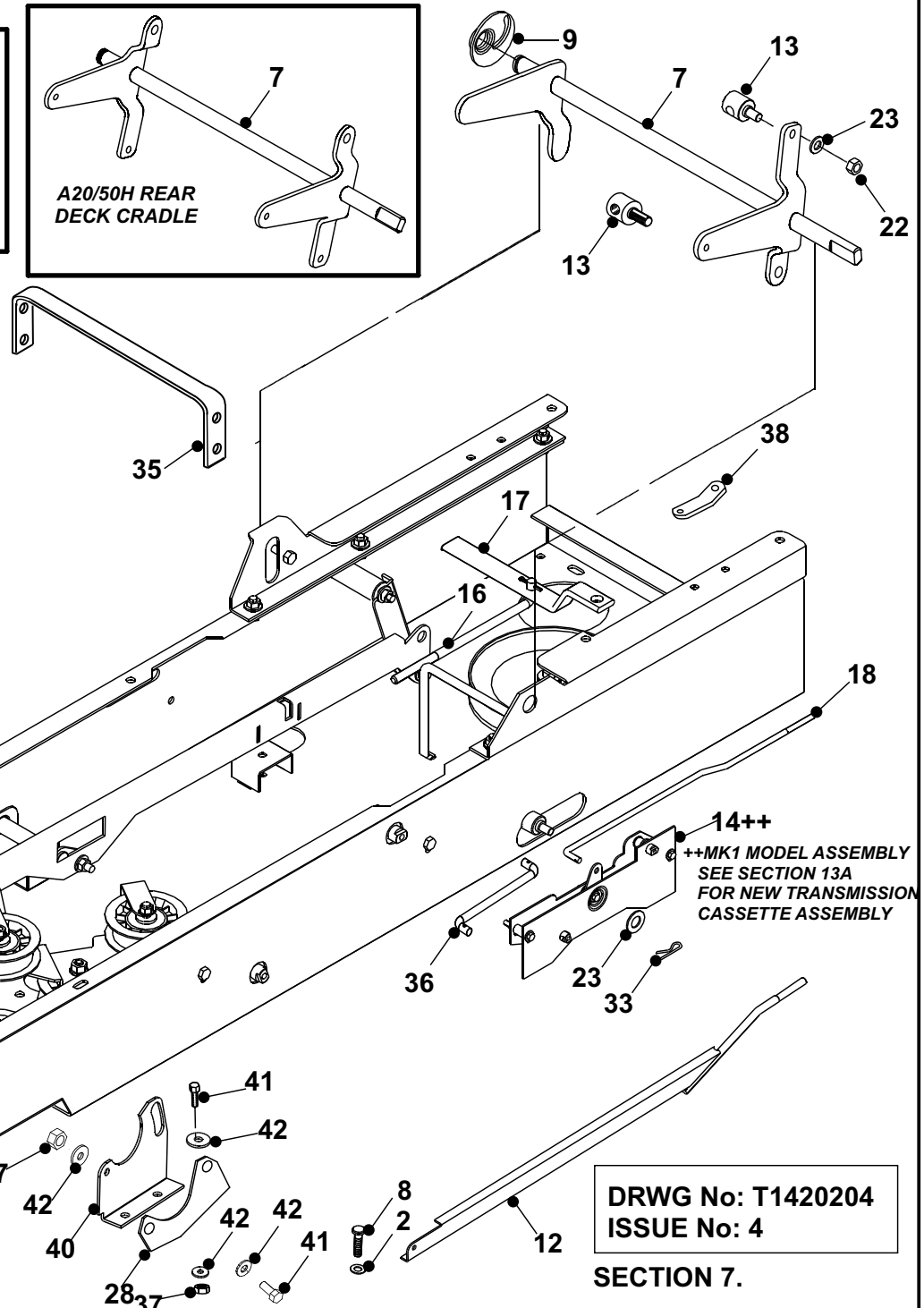
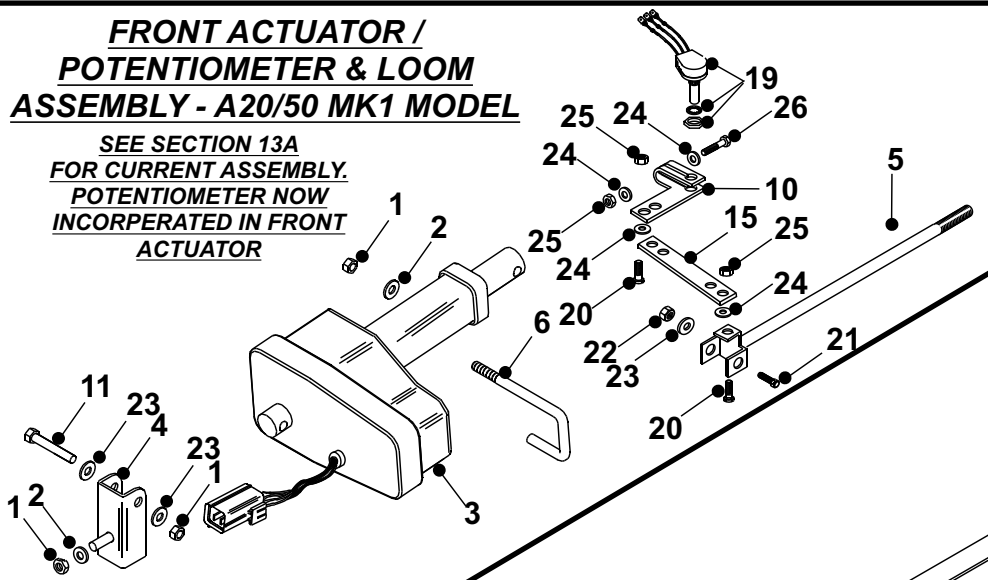
	PART DESCRIPTION	PART NUMBER
1	A20/50 Seat	148002000
1a	20/50 Seat Arm Rest Kit	148002101
2	20/50 Rear Body Panel	327010200
3	Seat Attachment Channel	27115400
4	Adjustable Seat Channel R/H	30117700
5	Adjustable Seat Channel L/H	30117800
6	PGC Bag Washer	08104400
7	M8 Star Washer	088000800
8	Bolt M8 x 20mm	02825900
9	Seat Spring Kit	405003200
10	Seat Handle	30203100
11	Seat Plate Adjuster R/H	30117900
12	Seat Plate Adjuster L/H	30118000
13	Starlock Washer	08868700
14	Spring	25831100
15	Rivet 1/4" x 1/2"	012885800
16	2mm R Clip	06849100
17	M8 Washer	08819501
18	Seat Pivot Rod	31301800
19	M8 Nyloc Nut	04850600
20	Instructions Decal 2003	358027200
21	Bolt M8 x 40mm Allen Head	01918500
22	Seat Spring (Adjustable Seat)	25845600
23	Spring Retaining Washer (Seat)	27835400
24	Spacer (HE, C-Series Seat Spring)	31330800
25	Washer 10.8id x 20.7od x 2mm Thk	088002400
26	M10 Nyloc Nut	04886100
27	Tool Tray	14848500
28	M5 Nyloc Nut	04885900
29	PTO Flap Shell Tractor Manual (Plastic)	149496400
30	PTO Danger Decal	35809500
31	Sweeper Belt Decal (Symbols Only)	35809400
32	Screw M5 x 16mm	028003500
33	M5 Washer	088002800
34	PTO Flap Hinge	302005200

**A20/50 FRONT ACTUATOR
& DECK CRADLE
ASSEMBLIES**



**FRONT ACTUATOR /
POTENTIOMETER & LOOM
ASSEMBLY - A20/50 MK1 MODEL**

SEE SECTION 13A
FOR CURRENT ASSEMBLY.
POTENTIOMETER NOW
INCORPORATED IN FRONT
ACTUATOR



14++
++MK1 MODEL ASSEMBLY
SEE SECTION 13A
FOR NEW TRANSMISSION
CASSETTE ASSEMBLY

DRWG No: T1420204
ISSUE No: 4

SECTION 7.

**A20/50 FRONT ACTUATOR ASSEMBLY
PARTS LIST**

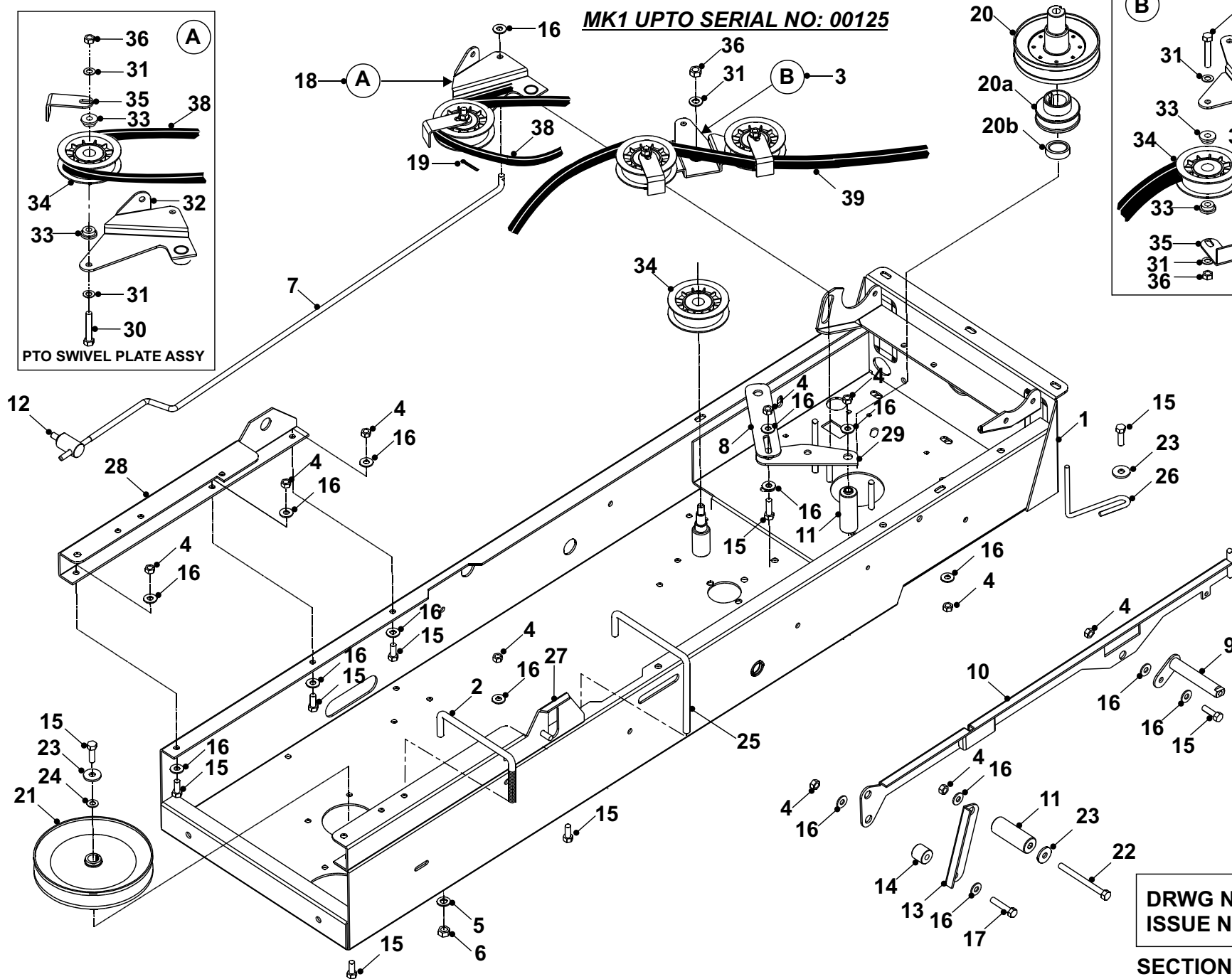
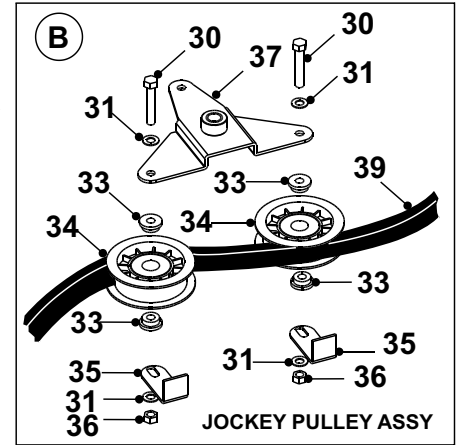
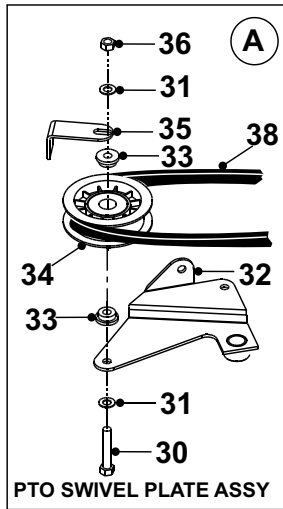
	PART DESCRIPTION	PART NUMBER
1	M8 Nyloc Nut	04850600
2	Washer 10.8id x 20.7od x 2mm Thk	088002400
3	Deck Actuator	448002800
4	Deck Lift Actuator Mounting Bracket	327008300
5	A20/50 Deck Lift Con Rod	327007801
6	20/50 Front Actuator Clamp	313004900
7	A,D & K Deck Lift Cradle 02 (old) A,D & K Rear Deck Hanging Bracket (new) V/A Manual Rear Deck Hanging Bracket	327015301 328954300 328954200
8	Bolt M8 x 20mm	02825900
9	Rear Deck Level Cam	30117601
10	98 HE Potentiometer Bracket	301040600
11	M10 x 50 Hex Head Bolt	018002300
12	20/50 Deck Level Bar	327007900
13	2002 Tractor Deck Level Trunnion MK1	189497500
14	20/50 Transmission Cassette	405002300
15	98 HE Deck Lift Con Rod Adjust Plate	301040700
16	20/50 Brake Rod	313004700
17	20/50 Transaxle Brake Extension	302005300
18	20/50 Forward / Reverse Rod	313004800
19	Potentiometer	44908000
20	Set Screw M5 x 12mm	01942500
21	Bolt M10 x 50 Hex Head Bolt	018002300
22	M10 Nyloc Nut	04886100
23	Washer 10.8id x 20.7od x 2mm Thk	088002400
24	Washer M5	08911500
25	M5 Nyloc Nut	04885900
26	Bolt M5 x 20mm (Vac)	018000100
27	20/50 Clutch Bar	302005100
28	Tractor Deck Adjustment Bracket	301040000
29	Deck Carrying (Front)	327006800
30	20/50 Deck Lever Bracket	301040000
31	Deck Lift Pin	31339400
32	M12 Washer	088001200
33	2mm R Clip	06849100

**A20/50 FRONT ACTUATOR ASSEMBLY
PARTS LIST**

	PART DESCRIPTION	PART NUMBER
35	Deck Lift Cradle C-Series & 20/50	29200700
36	A2050 Forward & Reverse Cassette Rod	327175600
37	M8 Nyloc Nut	04850600
38	Deck Lift Spring Anchor – 06/03/02	307183500
39	2050 Left Hand Front Deck Level Bracket	301053900
40	2050 Right Hand Front Deck Level Bracket	301054000
41	Bolt M8 x 20mm	02825900
42	M8 Washer	08819501

A20/50 P.T.O TRANSMISSION ASSEMBLY

MK1 UPTO SERIAL NO: 00125



DRWG No: T1419901
ISSUE No: 1

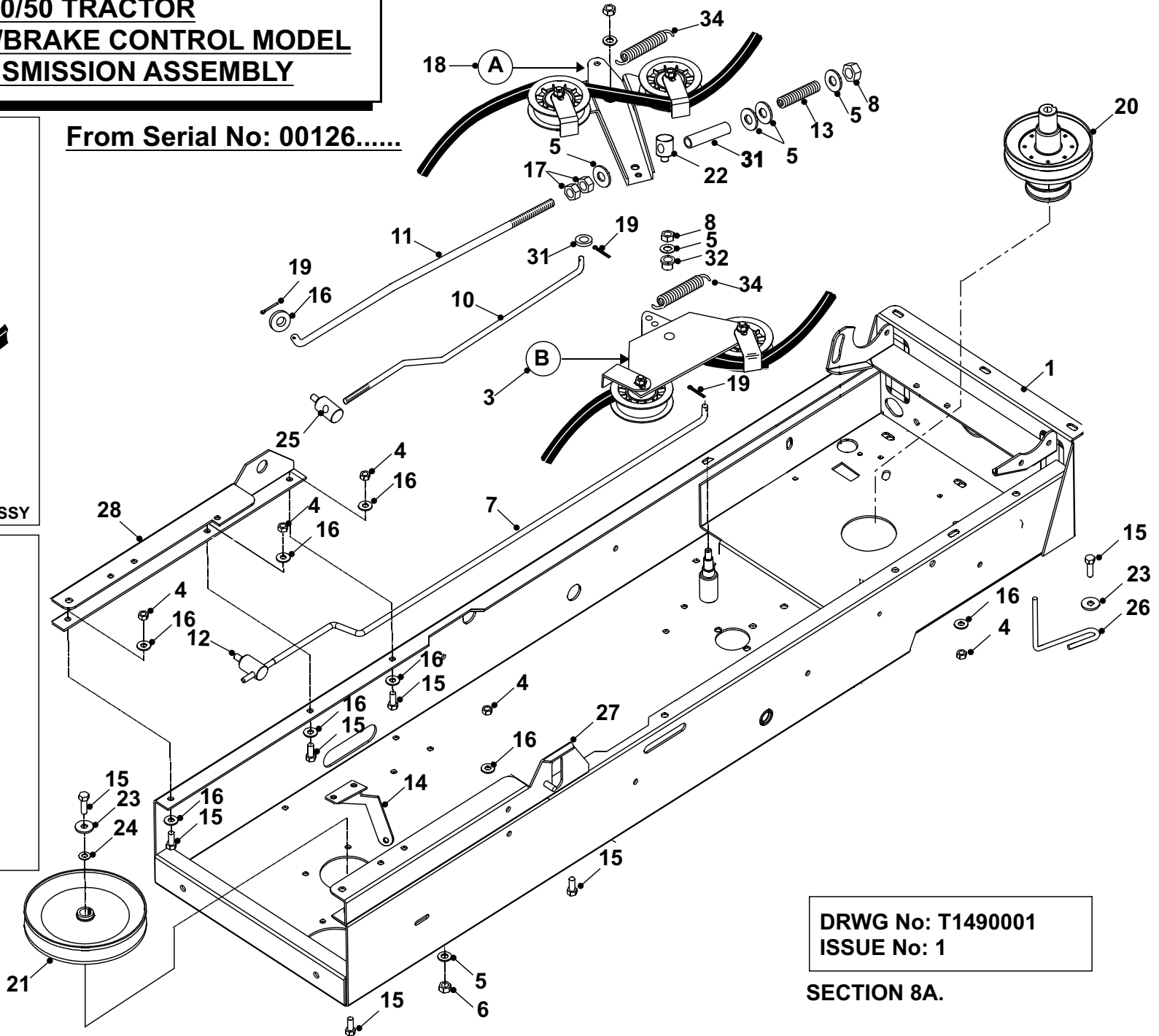
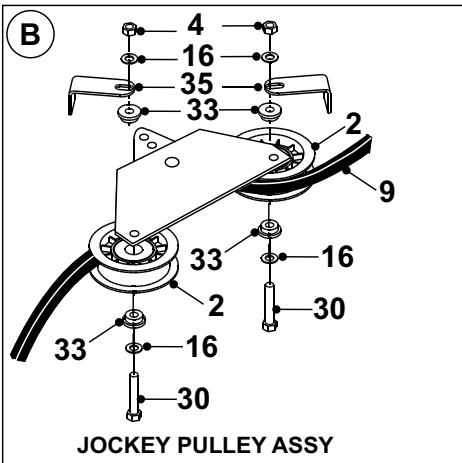
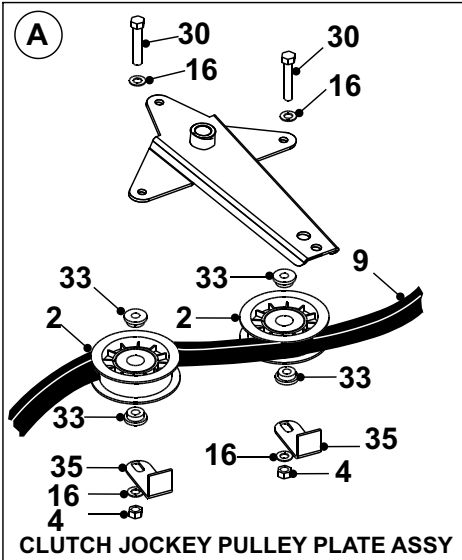
SECTION 8.

**A20/50 TRACTOR
P.T.O. & TRANSMISSION DRIVE
ASSEMBLY PARTS LIST**

	PART DESCRIPTION	PART NUMBER
1	20/50 Chassis	327006300
2	PTO Belt Keeper	313007600
3	20/50 PTO Jockey Pulley Plate Assy	405002400
4	M8 Nyloc Nut	04850600
5	Washer 10.8id x 20.7od x 2mm Thk	088002400
6	M10 Nyloc Nut	04886100
7	20/50 PTO Engage Rod	313005000
8	20/50 Transmission Belt Tension Plate	302004700
9	20/50 Clutch Pedal Shaft	327008200
10	20/50 Brake Rod	327008600
11	20/50 PGC Belt Adjust Trunnion	183008800
12	Trunnion (PTO Engage)	18806100
13	20/50 Clutch /Brake Drop Arm	302004900
14	Roller Plate Bush	31329200
15	Bolt M8 x 25mm	02826000
16	Washer 10.8id x 20.7od x 2mm Thk	088002400
17	M8 x 40mm Bright Zinc Plate Bolt	018003200
18	20/50 PTO Swivel Plate Assy	405002500
19	Split Pin 1/8" x 1"	06823300
20	20/50 Engine Pulley - Lower	327007700
20a	20/50 Upper Engine Pulley	183005300
20b	Crankshaft Spacer	18300900
21	7"Pulley (Capitol)	20870700
22	M8 x 90mm Hex Head	018003400
23	Washer M8 x 25 x 3 Unplated	089418600
24	M8 Star Washer	088000800
25	20/50 Transmission Belt Guide	313006100
26	20/50 Transmission Front Belt Guide	313006200
27	20/50 LH T/Axle Mounting Bracket	327009300
28	20/50 RH T/Axle Mounting Bracket	301041700
29	20/50 Clutch Swivel Plate	302004600
30	Bolt M8 x 45mm (Vac)	02941000
31	M8 Washer	08819501
32	20/50 PTO Swivel Plate	327009700
33	Sweeper Jockey Cap	31351100
34	TX PTO Jockey Pulley Plastic (Capitol)	20811500
35	Belt Retaining Bracket	27105800
36	M8 Nyloc Nut	04850600
37	20/50 Clutch Jockey Pulley Plate	327008500
38	Belt A92 Super 2 Transmission C2050	22950100
39	Belt A88 Super 2 PTO Belt C2050	22950000

**A20/50 TRACTOR
HAND CLUTCH/BRAKE CONTROL MODEL
P.T.O TRANSMISSION ASSEMBLY**

From Serial No: 00126.....



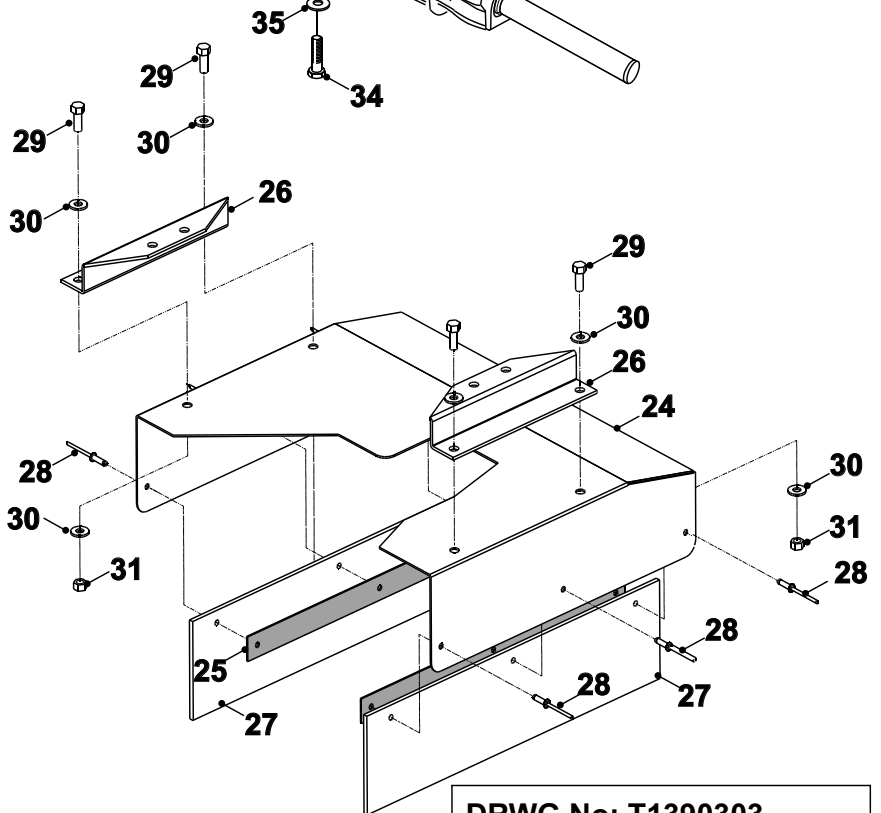
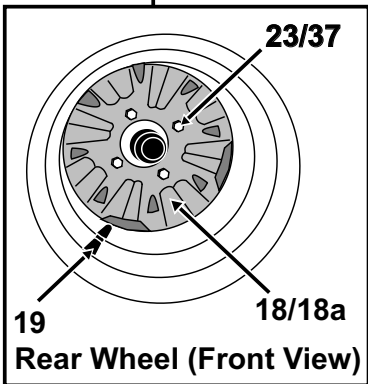
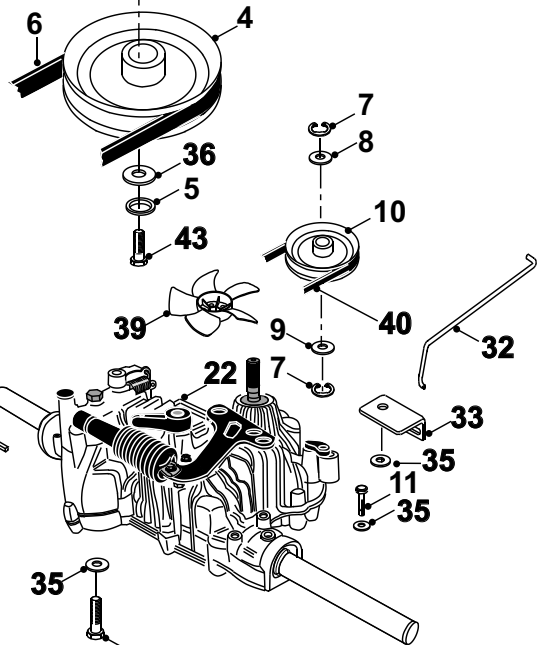
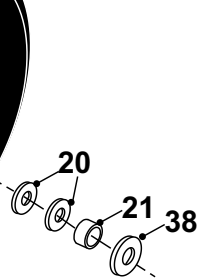
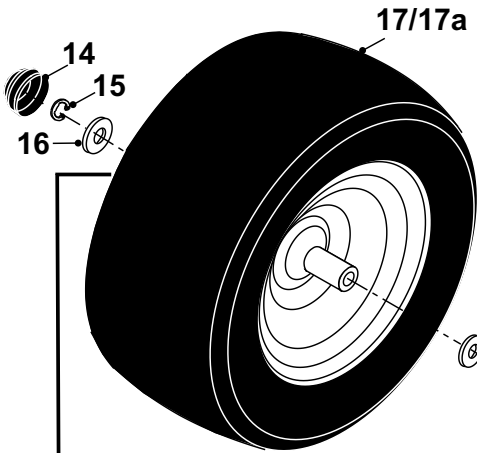
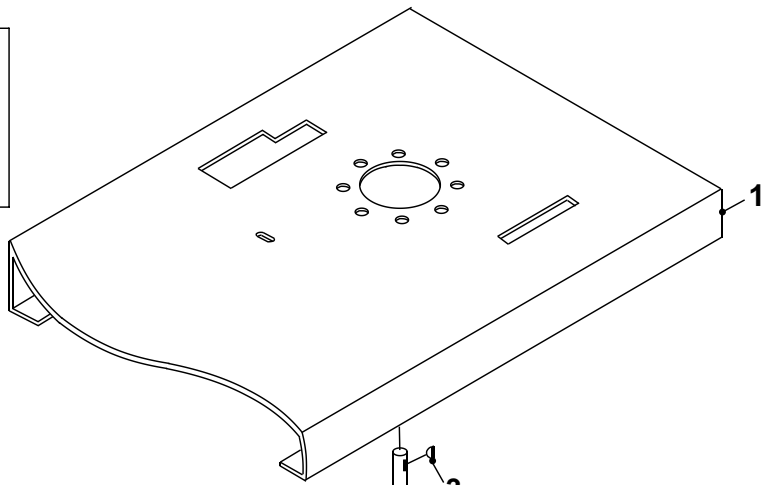
**DRWG No: T1490001
ISSUE No: 1**

SECTION 8A.

**A20/50 TRACTOR
HAND CLUTCH / BRAKE CONTROL MODEL
P.T.O. & TRANSMISSION DRIVE ASSEMBLY
PARTS LIST**

	PART DESCRIPTION	PART NUMBER
1	20/50 Chassis	327006301
2	TX PTO Jockey Pulley Plastic (Capitol)	20811500
3	20/50 Jockey Pulley Plate Assy	321122700
4	M8 Nyloc Nut	04850600
5	Washer 10.8ID x 20.7OD x 2Thk	088002400
6	M10 Nyloc Nut	04886100
7	20/50 PTO Engage Rod 2003	313010801
8	M10 Locknut	04872100
9	Belt Dayco Super II A91	228001500
10	20/50 Transmission Rod 2003	313018600
11	20/50 Park Brake Engine Rod 2003	313010701
12	Trunnion (PTO Engage)	18806100
13	20/50 Comp Brake Rod Spring	259405100
14	20/50 Spring Plate (Park Brake)	301119600
15	Bolt M8 x 25	089418600
16	M8 Washer	08819501
17	M10 Locknut	04872100
18	20/50Jockey Plate Assy	321122300
19	Split Pin 1/8" x 1" (Snowblade)	06823300
20	Tractor 20-50 Engine Pulley	327006500
21	7" Pulley (Capitol)	20870700
22	Trunnion Jockey Plate	183018600
23	Washer M8 x 25 x 3 Unplated	089418600
24	M8 Star Washer	088000800
25	20/50 Park Brake Rod Trunnion	183018600
26	20/50 Transmission Front Belt Guide	313006200
27	20/50 LH T/Axle Mounting Bracket	327009300
28	20/50 RH T/Axle Mounting Bracket	301041700
30	Bolt M8 x 45	02941000
31	20/50 Brake Rod Tube	183019100
32	Oilite Bush	52824700
33	Sweeper Jockey Cap	31351100
34	Spring Belt Tension	25849600
35	Belt Retaining Bracket	27105800

**A20/50 TRACTOR MK1
TUFF TORQ
HYDROSTATIC TRANSAXLE
ASSEMBLY**



DRWG No: T1390303
ISSUE No: 3

SECTION 9.

A20/50 TRACTOR
TUFF TORQ
HYDROSTATIC TRANSAXLE
MKI
PARTS LIST

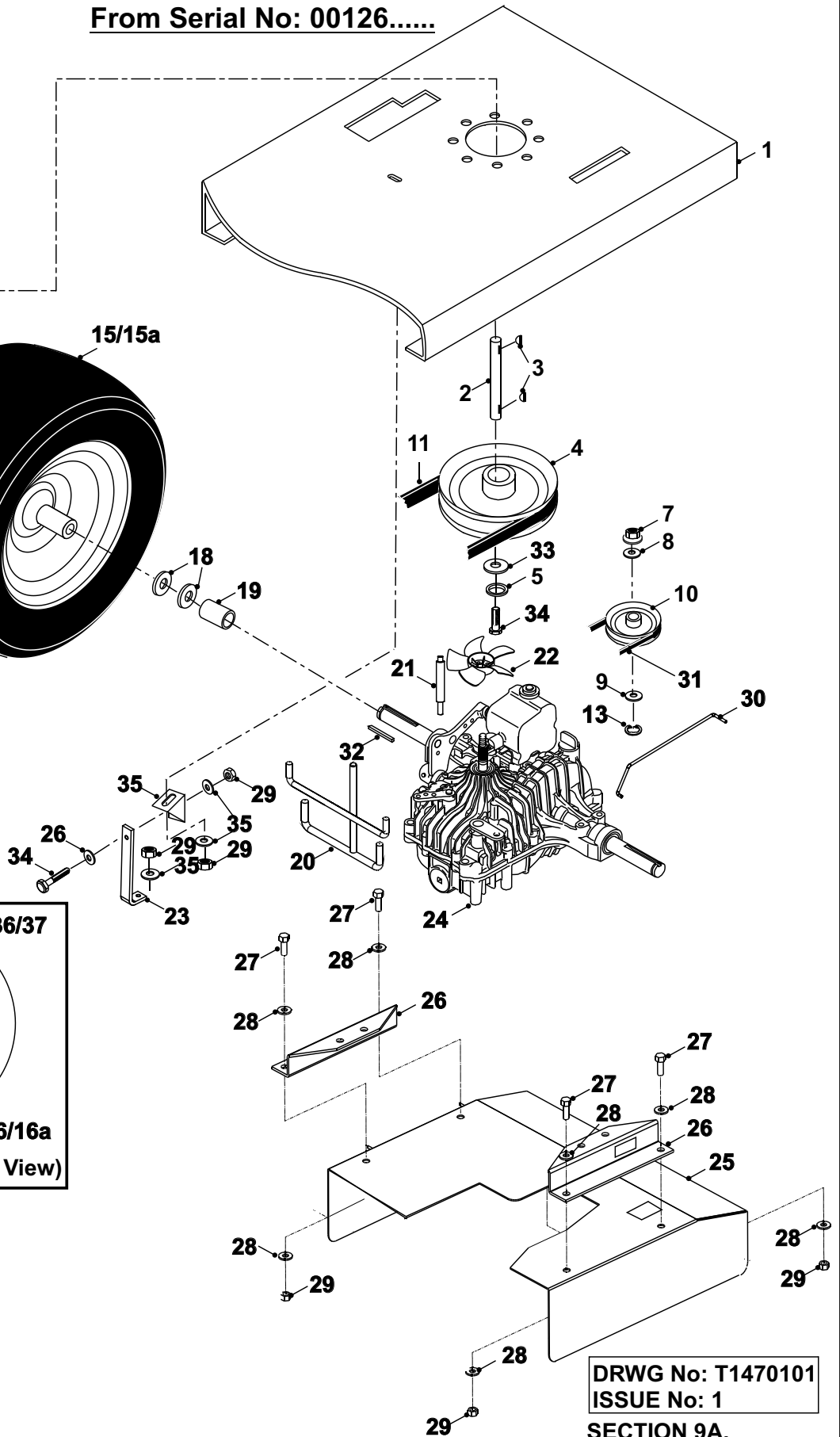
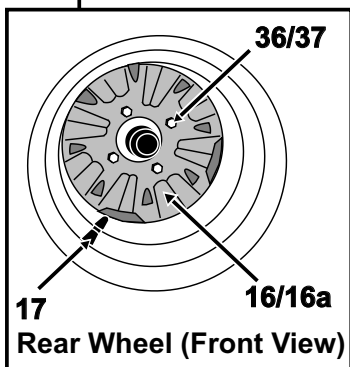
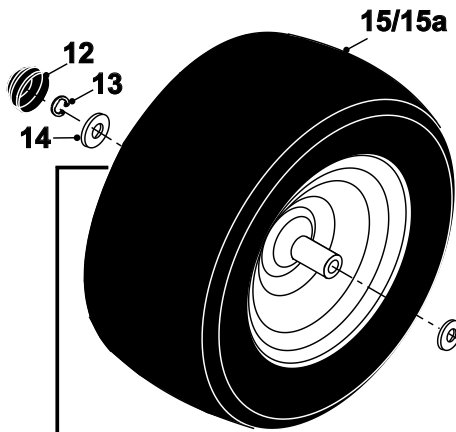
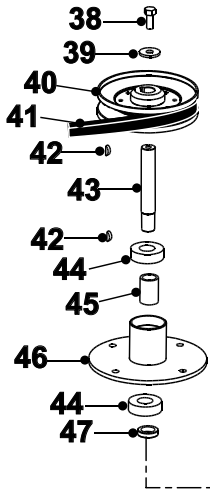
	PART DESCRIPTION	PART NUMBER
1	20/50 Chassis	327006300
2	P.T.O. Shaft	31306000
3	Key	09823900
4	7" Pulley (Capitol)	20870700
5	M8 Star Washer (Vac)	088000800
6	Belt A92 Super 2 Transmission C2050	22950100
7	14mm External Mecro	07906600
8	9/16" T4 HP Flat Washer	08917700
9	9/16" T4 LP Washer	08917800
10	20/50 Hydrostatic Box Pulley	20904400
11	Bolt M8 x 65mm	028662700
14	Hub Cap (Moulded)	14811800
15	19mm External Circlip CIA1400/19	07921200
16	Hub Cap Washer	30127800
17	20/50 Rear Wheel Complete	198001500
17a	20/50 Rear Tyre \$34.80 @ 1.50	198000400
18	20/50 Rear Wheel Rim	198000500
	Grease Nipple	11898800
	`O' Ring	24898700
	M8 Star Washer	088000800
18a	20/50 Rear Wheel Hub	198001300
19	Wheel Valve	14889200
20	Washer 3/4" T3 ZP	08822900
21	17mm Wheel Spacer.	31324900
22	Hydro Transaxle K61 20/50	478000000
23	Diesel / A2050 Wheel Stud	128000200
24	20/50 Transaxle Deflector	301048200
25	20/50 Deflector Fixing Strip	301049300
26	20/50 T/Axle Deflector Mounting Bracket	301119500
27	20/50 T/Axle Rubber Strip	148004600
28	Rivet 4.8 x 16mm Alloy Pop 1031-4816	12860100
29	Bolt M8 x 20mm	02825900
30	M8 Washer	08819501
31	M8 Nyloc Nut	04850600
32	20/50 Dump Valve Rod	18322800
33	Dump Rod Bracket Tuff Torq	313010600
34	Bolt M8 x 20mm	02825900
35	M8 Washer	08819501
36	Washer M8 x 25 x 3 unplated	089418600
37	20/50 Wheel Nut	048000800

A20/50 TRACTOR
TUFF TORQ
HYDROSTATIC TRANSAXLE
MK1
PARTS LIST

	PART DESCRIPTION	PART NUMBER
38	Thrust Washer	30791900
39	20/50 Hydro Cooling Fan	148002900
40	Belt A88 Super 2 Pto Belt C2050	22950000
41	Key Rear Wheel	09830700

**A20/50 TRACTOR HAND CLUTCH/BRAKE CONTROL MODEL
TUFF TORQ HYDROSTATIC TRANSAXLE ASSY**

From Serial No: 00126.....



DRWG No: T1470101
ISSUE No: 1
SECTION 9A.

**A20/50 TRACTOR HAND CLUTCH / BRAKE CONTROL MODEL
TUFF TORQ HYDROSTATIC
From Serial No: 00126.....
PARTS LIST**

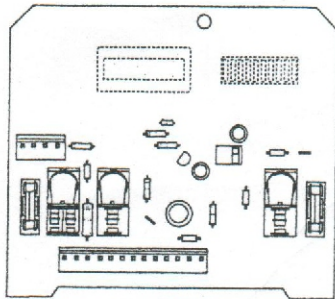
	PART DESCRIPTION	PART NUMBER
1	20/50 Chassis	327006300
2	PTO Shaft	31306000
3	Key	09823900
4	7" Pulley	20870700
5	M8 Star Washer	088000800
7	M10 Flange Nyloc Nut	049381600
8	2050 Transaxle Fan Washer	089418800
9	9/16" T4 LP Washer	08917800
10	20/50 Hydrostatic Box Pulley	20904400
11	A91 Dayco Super II Belt	228001500
12	Hub Cap (Moulded)	14811800
13	Circlip	078000500
14	K62/66 Transaxle Thrust Washer	307191900
15	20/50 Complete Rear Wheel	198001500
15a	20/50 Rear Tyre	198000400
16	20/50 Rear Rim	198000500
	Grease Nipple	11898800
	`O' Ring	24898700
	M8 Star Washer	088000800
16a	20/50 Rear Wheel Hub	198001300
17	Wheel Valve	14889200
18	Washer 3/4" T3 ZP	08822900
19	20/50 Wheel Spacer	183018500
20	20/50 Double Belt Guide	327021800
21	20/50 L/H T/Axle Steady Rod	313019100
22	K62 20/50 Plastic Fan	148008000
23	20/50 R/H Transaxle Support Bar	292003500
24	20/50 K62 Tuff Torq	478000400
25	20/50 Transaxle Deflector	301119700
26	20/50 Transaxle Grass Deflector Bracket	301119500
27	Bolt M8 x 20mm	02825900
28	M8 Washer	08819501
29	M8 Nyloc Nut	04850600
30	20/50 Dump Valve Rod	313010600
31	A91 Dayco Super 11 Belt	228001500
32	Key Rear Wheel	09830700
33	Washer M8 x 25 x 3 unplated	089418600
34	Bolt M8 x 20mm	02825900
35	Torque Bracket	30137700
36	Diesel / A2050 Wheel Stud	128000200
37	20/50 Wheel Nut	048000800

**A20/50 TRACTOR HAND CLUTCH / BRAKE CONTROL MODEL
TUFF TORQ HYDROSTATIC
From Serial No: 00126.....
PARTS LIST**

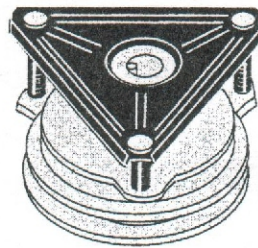
	PART DESCRIPTION	PART NUMBER
38	Bolt M8 x 20mm	02825900
39	M8 Washer	08819501
40	PTO Pulley 5" Universal	208000400
41	Belt A92 Super 2	22950100
42	Key	09823900
43	PTO Shaft	32306000
44	Bearing	10802200
45	Spacer PTO Centre	31334800
46	PTO Bearing Housing	32700300
47	PTO End Spacer	31306200
48	Transaxle Shock Absorber (not illustrated)	Tuff Torq No 19215489150

A20/50 ELECTRICAL PARTS (PRE OMS)

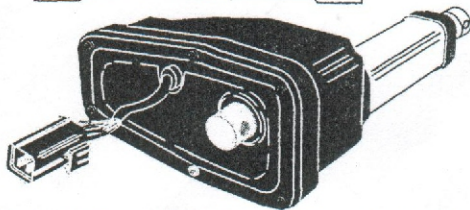
1. MAIN WIRING LOOM PT/ NO: 448004100
2. H.E. DECK / SWEEPER LOOM PT/NO: 44948700**/448005900##
3. NET EMPTYING LOOM KIT PT/NO:448004300



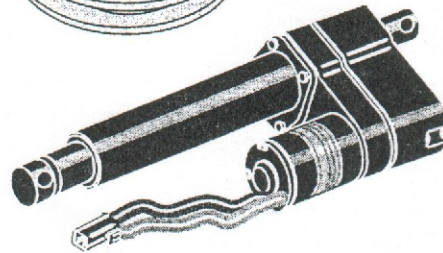
4. P.C.B.
PT/NO: 448001900



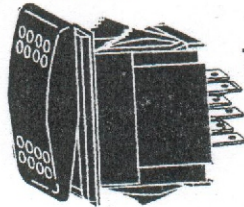
5. WARNER CLUTCH
PT/ NO: 44815200



6. ACTUATOR A20/50; DECK / SWEEPER / NET
PT/NO: 448002800**

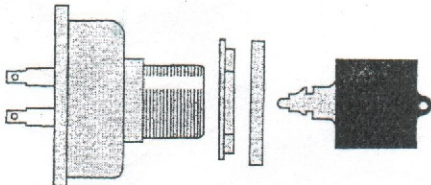


6. ACTUATOR A20/50; DECK / SWEEPER / NET
PT/NO: 448005800 ##



7. DECK / NET EMPTY SWITCH
PT/NO: 448001501

8. SWEEPER LIFT SWITCH
PT/NO: 448001401



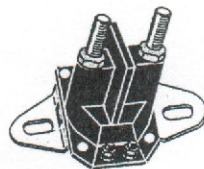
9. IGNITION SWITCH - PT/NO: 44812900
10. IGNITION FIXING NUT - PT/NO: 52813200
11. IGNITION CAP BEZEL - PT/NO: 52813100
12. IGNITION KEY - PT/NO: 52813000

13. DECAL - PCB HOUR METER / CUTTER DECK HEIGHT
PT/NO: 358002800

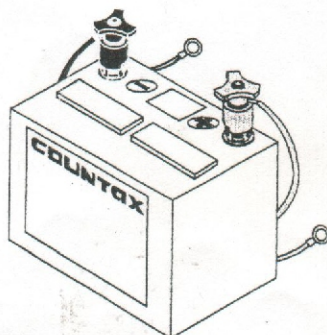


14. DECAL - HEADLIGHTS / IGNITION LIFT
PT/NO: 358002600

15. DECAL - CLUTCH / CHOKE / LIFT
PT/NO: 358002200



16. SOLENOID PT/No 44814801



17. BATTERY 12V PT/No 45814100
18. BATTERY CONNECTOR (+) (RED) PT/No 44812701
19. BATTERY CONNECTOR (-) (BLACK) PT/No 44812801
20. BLACK LEAD BATTERY TO CHASSIS PT/No 44876900
21. RED LEAD BATTERY TO SOLENOID PT/No 44877000

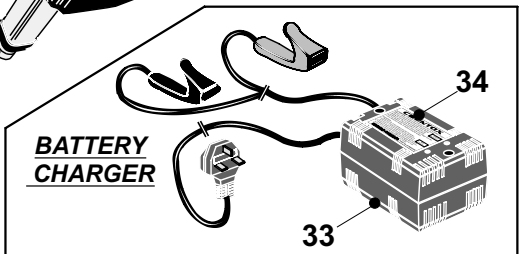
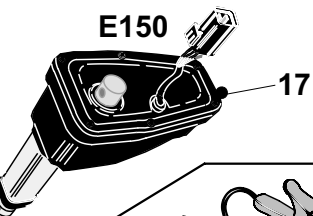
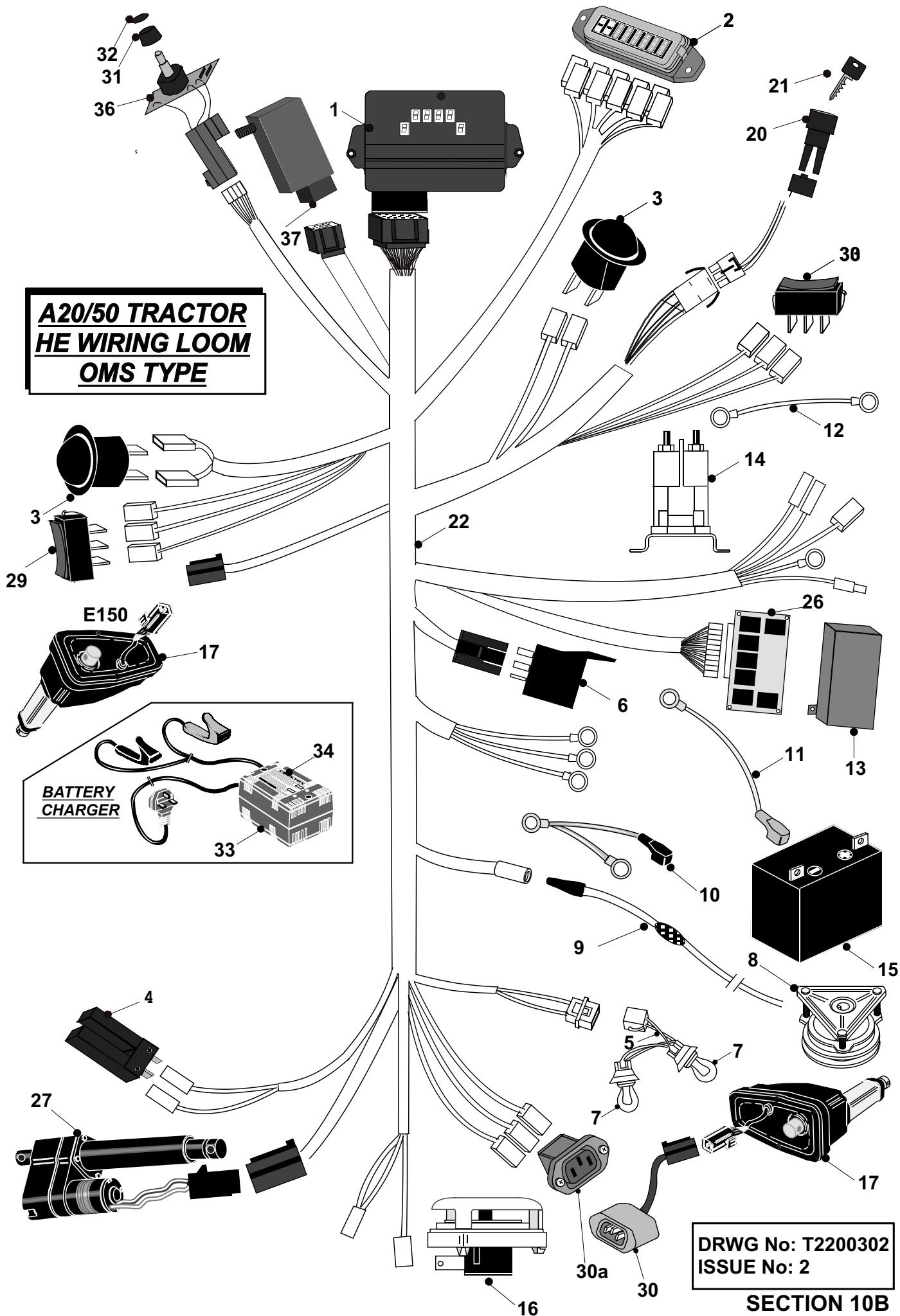
DRWG No: T1350301
ISSUE No: 1

SECTION 10A

A20/50 ELECTRICAL
(MODELS WITH RPM READING)
PARTS LIST

	PART DESCRIPTION	PART NUMBER
1	Control Loom A20/50	448004100
2	Net Emptying Actuator Loom A20/50 HE Loom C-Series Tractor	448004800** 448005900##
3	A20/50 PGC Emptying Loom Kit	448004300
4	PC Board HE 98 (Hr Meter) / Dk Hgt Mods	448001903
5	A20/50 Electrical Clutch	44815200
6	Deck Actuator (upto serial no. 00718) Actuator Warner LA10 (after serial no. 00718...)	448002800** 448005800##
7	Deck / Net / Empty Switch	448001501
8	Sweeper Lift Switch	448001401
9	Ignition Switch	44812900
10	Nut (Accurate 125)	52813200
11	Bezel (Accurate 121)	52813100
12	Key (Accurate 101)	52813000
13	PCB HE Decal 98 Gloss Velvet Lexan 8A35	358002800
14	Head Light / Ignition / Lift Decal 98	358002600
15	Clutch / Choke / Lift Decal	358002200
16	Starter Solenoid	44814801
17	Battery	45814100
18	Positive Battery Terminal	44812701
19	Negative Battery Terminal	44812801
20	Rdr Bat To Earth Lead	44876900
21	Battery Lead positive Rdr 97	448001000

**A20/50 TRACTOR
HE WIRING LOOM
OMS TYPE**



**DRWG No: T2200302
ISSUE No: 2**

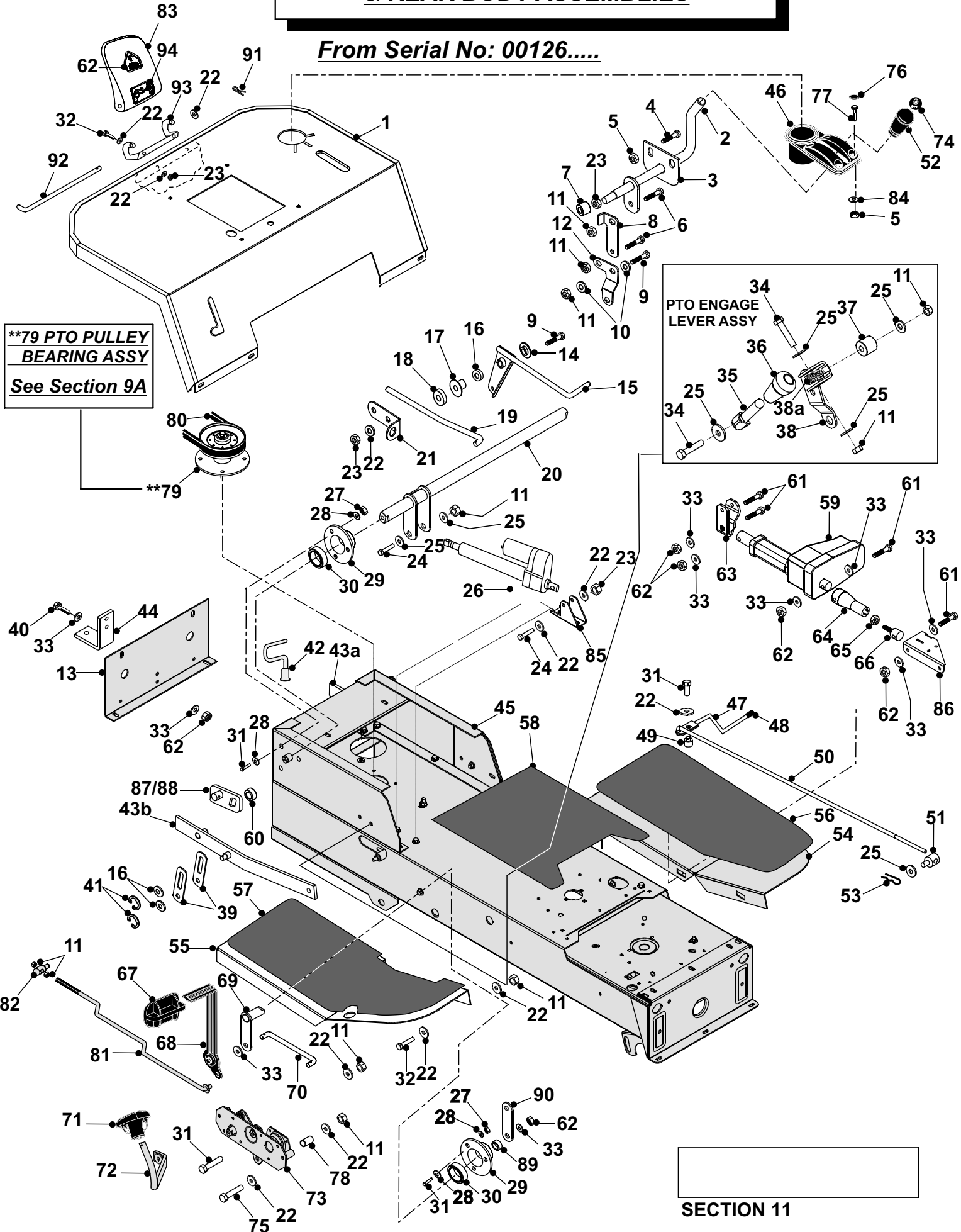
SECTION 10B

A20/50 TRACTOR
H.E. LOOM
(MODELS WITH RPM READING)
PARTS LIST

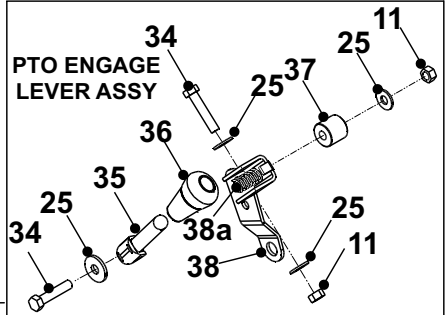
	PART DESCRIPTION	PART NUMBER
1	Main Control PCB 2003	448017004
2	Fuse Box Holder 2002 C-Series	301139400
3	Switch Momentary on 2003 (R13208FAAA)	448008700
4	Position Sensor Switch	449666600
5	2003 C-Series Headlight Loom	448010400
6	Electric Relay 12v / 30amp Omron	449559100
7	Bulb C-Series 2002 PY21W	448008500
8	Warner Electric Clutch 20/50	44815200
9	Clutch Loom Magstop Modular	44946800
10	18 & 20hp Battery Lead	448010000
11	Earth Lead 2003	44812402
12	Start Lead 3923	44812500
13	HE PCB Cover 2003	307187800
14	Starter Solenoid	44814801
15	Battery – Dry Charged 18/50	458141300
16	Seat Switch Milsco Seat 97)	44949500
17	Actuator c/w Potentiometer	448007700
18	10AMP Fuse(not illustrated)	44889500
19	Fuse Spade 20AMP(not illustrated)	44835000
20	Ignition Switch	448010700
21	Ignition Key	528006900
22	HE Loom + Fuel Sender 2003	448015300
	C-Series Loom + Fuel Sender 2003	448015100
23	Tie Wrap (Not Illustrated)	52825400
24	Tie Wrap Mount (Not Illustrated)	52816800
25	Tie Wrap Self Adhesive (Not Illustrated)	52816700
26	HE PCB For LA10 Actuators & Net 2003	448009200
27	Deck Actuator (upto serial no: 00718)	448002800
	Actuator Warner LA10 (after serial no:00718)	448005800
28	Fuse 30AMP Spade D18/50,Diesel Fuse Box – not illustrated	449559200
29	Switch on / off / on 2003 (R1311DAAA)	448008900
30	A20/50 PGC Net Emptying Loom	448004300
30a	Rear Socket For Net Emptying Loom –Trac	448005600
31	2002 Lift Kit Collet Knob	148010600
32	Collet Knob Cap – Rotary HE PCB 2001	148011000
33	Battery Charger	449563000
34	Battery Charger Decal	359509600
35	Baterry Charger Instructions (not Illustrated)	36919400
36	Dial height Switch	449561501
37	Deck Control PCB	448017102

A20/50 TRACTOR HAND CLUTCH/BRAKE CONTROL MODEL RUNNING BOARD & REAR BODY ASSEMBLIES

From Serial No: 00126.....



****79 PTO PULLEY
BEARING ASSY
See Section 9A**



SECTION 11

**A2050 HAND CLUTCH / BRAKE CONTROL MODEL RUNNING
BOARD & REAR BODY ASSY**

PART DESCRIPTION	PART NUMBER
1 20/50 Rear Body Panel	328957100
2 20/50 Park Brake Lever	327022100
3 20/50 Park Brake Lever Support Plate	301119100
4 Bolt M6 x 20mm (Vac)	018000300
5 Nut M6 Nyloc	04920500
6 M8 x 30mm Roofing Bolt	01902600
7 20/50 Park Brake Lever Spacer	183018700
8 20/50 Park Brake Upper Link Plate	301120100
9 Bolt M8 x 50mm	018001800
10 Washer 25mm	028001800
11 M8 Nyloc Nut	04920100
12 20/50 Park Brake Lower Link Plate	301120200
13 20/50 Rear Chassis Panel	301041600
14 Bonnet Pivot Boss	31306100
15 20/50 Pedal Plate	321122200
16 M12 Washer	088001200
17 Deck Tension Plate Spacer	31329000
18 PTO Bridge Spacer	31326100
19 20/50 Diff. Lock Control Rod	313010400
20 20/50 Sweeper Lift Bar	327009400
21 Park Brake Switch Brkt long	307022200
22 M8 Washer	08819501
23 M10 Nyloc Nut	04886100
24 M8 x 40mm Bright Zinc Plate Bolt	018003200
25 Washer M8 x 25 x 3 Unplated	089418600
26 Deck Actuator	448002800
27 M5 Nyloc Nut	04885900
28 M5 Washer	088002800
29 Bearing Housing 17mm	27106601
30 Bearing	10811600
31 Bolt M5 x 16mm	028003500
32 Roofing Bolt M8 x 20mm	01886200
33 Washer 10.81 i.d. x 20.70 o.d. HD	088002400
34 M8 x 40mm Bright Zinc Plate Bolt	018003200
35 PTO Engage Lever	32708700
36 Lever Knob	14804800
37 Spacer 20/50 PTO Plt	31329201
38 PTO Plate HE & 20/50	30134501
38a Spring	25831100
39 HE Sweeper Lift Plate	30133500
HE Tractor Sweeper Lift Special** (Scarifier Use)	301132700**
40 M10 x 110mm Bolt s/c	01915300
41 E-Clip M12 Plated	078000800
42 Sweeper Belt Guide Pin	32723800

A20/50 HAND CLUTCH / BRAKE
CONTROL MODEL RUNNING BOARD &
REAR BODY ASSY

43a HE Sweeper Lift Arm L/H	32721100
43b HE Sweeper Lift Arm R/H	32720300
44 Tow Bracket	29200101
45 20/50 Seat Box	327010400
46 Handbrake Cup Holder	148013900
47 A2050 Deck Tension Lever	321122800
48 Plastic Lever Cap	14946200
49 Deck Height Pivot Boss	18317400
50 Deck Tension Rod	31805600
51 Trunnion (Deck Cradle)	18805500
52 C-Series Handbrake Handle Knob	187185300
53 Rue Clip	11836700
54 20/50 L/H Running Board	321122400
55 20/50 R/H Running Board	321122500
56 20/50 L/H Running Mat	148007200
57 20/50 R/H Running Mat	148007300
58 20/50 Centre Running Mat	148007400
59 Actuator c/w Potentiometer	448007700
60 Tractor HE Crossbar / TX Spacer	31323502
61 M10 x 60mm Coachbolt zinc / clear	01800500
62 PTO Danger Decal	35809500
63 Plate	301005500
64 Deck Lift Actuator Adjuster Body	187184800

** Item 9. This Lift Plate to be used when
30133500
Does not give enough lift.

65 Nut M12	049381200
66 Deck Lift Actuator Adjustment Screw	187184900
67 Large Forward Pedal Rubber	148013700
68 2002 Cassette Forward Pedal Welded	327361200
69 20/50 Brake Link Bracket	327022200
70 20/50 Forward / Reverse Cassette Rod	328953000
71 Small Reverse Pedal Rubber 2002	148013800
72 2002 Cassette Reverse Pedal	327361300
73 2002 C-Series Cassette	409427400
74 Handbrake Handle Badge 2002	359505100
75 Bolt M8 x 65mm	028662700
76 M6 Socket Screw Cap	148014300
77 Screw M6 x 20mm	01800300
78 Transaxle Deflector Spacer	31322200
79 5" PTO Pulley	208000400
80 Belt A49	22923400
81 2002 Cassette Forward / Reverse Rod	313022000
82 Foot Control Forward / Reverse Trunnion	187186500

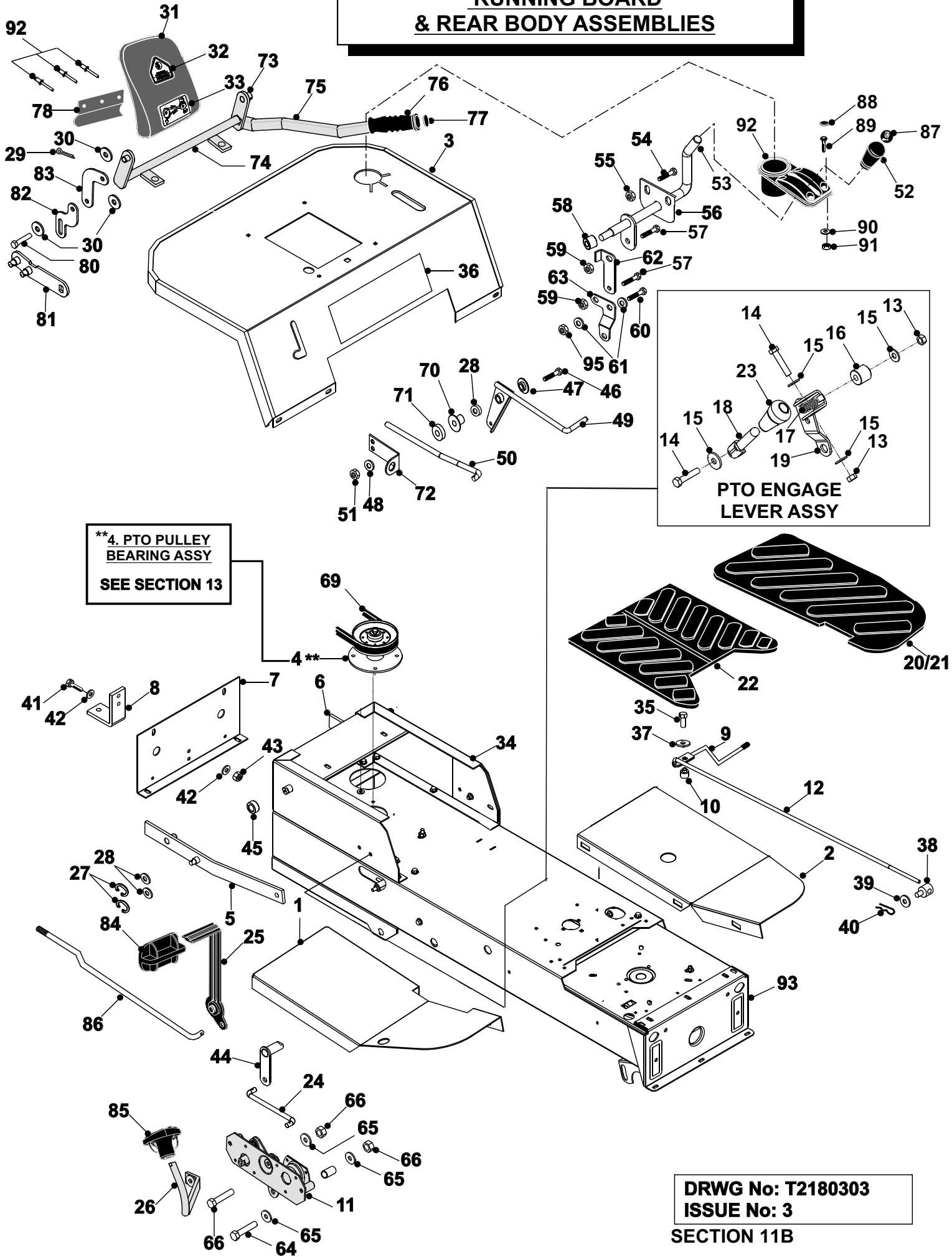
A20/50 HAND CLUTCH / BRAKE
CONTROL MODEL RUNNING BOARD &
REAR BODY ASSY

83 PTO Flap	149496300
84 Washer M6	08827800
85 20/50 Rear Lift Actuator Mounting	302005600
86 20/50 Actuator Bracket	327015400
87 HE Sweeper Lift Triangle	32721200
88 Lift Triangle R/H HE	32721300
89 Spacer 10mm	183011000
90 Forward / Reverse Rod Link Arm	292003600
91 2mm `R` Clip	06849100
92 20/50 Seat Pivot Rod	313017800
93 PTO Flap Hinge	302005200
94 Sweeper Belt Decal (Symbols Only)	35891200

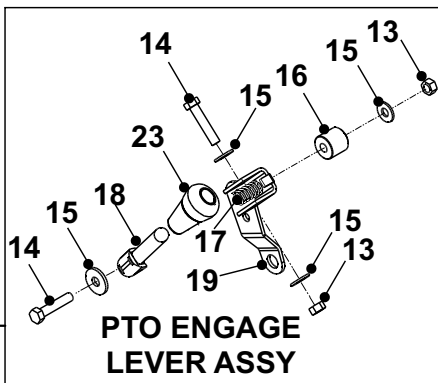
SECTION 11

DEC 2006

**A20/50H TRACTOR
HAND CLUTCH/BRAKE CONTROL MODEL
RUNNING BOARD
& REAR BODY ASSEMBLIES**



****4. PTO PULLEY BEARING ASSY
SEE SECTION 13**



**DRWG No: T2180303
ISSUE No: 3
SECTION 11B**

**A20/50H HAND CONTROL MODEL
RUNNING BOARD
& REAR BODY ASSEMBLIES
PARTS LIST**

	PART DESCRIPTION	PART NUMBER
1	20/50 Running Board R/H	321122500
	20/50 Running Board R/H (for Germany)	327010100
2	20/50 Running Board L/H	321122400
	20/50 Running Board L/H (for Germany)	327010000
3	20/50 Rear Body Panel Welded	328954600
4	5" PTO Pulley	208000400
5	Sweeper Lift Arm R/H	32720300
6	Sweeper Lift Arm L/H	32721100
7	20/50 Rear Chassis Panel	301041600
8	Tow Bracket	29200101
9	A2050 & D1850 Deck Tension Lever	321122800
10	Deck Height Pivot Boss	18317400
11	99 C-Series Transmission Cassette	405006000
12	Deck Tension Rod	31805600
13	Nyloc Nut 5/16" UNF	04827500
14	Bolt 5/16" UNF x 1.1/2" HT Z/P	01820700
15	Washer 5/16" i.d x 1" o.d HD	08819800
16	Spacer	31329201
17	Spring	25831100
18	PTO Engage Lever HE & 20/50	32708700
19	PTO Plate	30134501
20	Foot Mat R/H A20/50	148008800
21	Foot Mat R/H A20/50 German Model	148008600
21	Foot Mat L/H A20/50	148008900
22	Centre Runner Mat	14800800
23	Lever Knob	14804800
24	20/50 Forward / Reverse Cassette Rod	313018900
25	Forward Pedal A2050 HC-BC Models	321123900
26	Reverse Pedal A2050 HC/BC Models	321124000
27	E-Clip M12 Plated	078000800
28	Washer 1/2" x 1" T3 L/P Z/P	08822500
29	2mm Rue Clip	06849100
30	Washer 5/16" T4 zinc plated	08819700
31	PTO Flap Shell Tractor Manual (Plastic)	149496400
32	PTO Danger Label	35809500

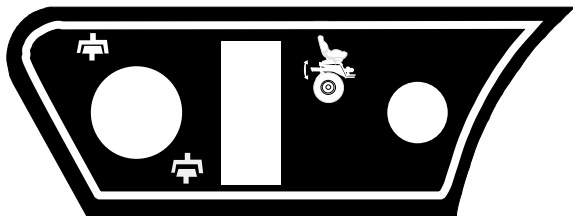
**A20/50H HAND CONTROL MODEL
RUNNING BOARD
& REAR BODY ASSEMBLIES
PARTS LIST**

33	Sweeper Belt Decal (Symbols Only)	35809400
34	20/50 Rear Seat Box	327010400
36	Decal Mulcher	35945900
38	Trunnion (Deck Cradle)	18805500
39	Washer 5/16" i.d. x 1" o.d. HD	08819800
40	Rue Clip	11836700
41	M10 x 110mm Bolt s/c (Kohler 14HP Only)	01915300
42	Washer 10.81 i.d. x 20.70 d x 2mm Thk	088002400
43	M10 Locknut	04872100
44	20/50 Brake Link Bracket	327022200
45	Lift Bar Spacer HE	31323500
46	Bolt 5/16" UNF x 2"	01820900
47	Bonnet Pivot Boss	31306100
48	Washer 5/16" T4 zinc plated	08819700
49	20/50 Pedal Plate	321122200
50	20/50 Diff. Lock Control Rod	313010400
51	Nyloc Nut 5/16" UNF	04827500
52	2002 C-Series Handbrake Handle	187185300
53	20/50 Park Brake Lever	327022100
54	Bolt M6 x 20mm (Vac)	018000300
55	Nut M6 Nyloc	04920500
56	20/50 Park Brake Lever Support Plate	301119100
57	Bolt M8 x 30mm Coachbolt	018001200
58	20/50 Park Brake Lever Spacer	183018700
59	Nut M8	04850600
60	Bolt M8 x 50mm	018001800
61	Washer 25mm	028001800
62	20/50 Park Brake Upper Link Plate	301120100
63	20/50 Park Brake Lower Link Plate	301120200
64	Bolt 1/4" x 3"	028662400
65	Washer 5/8" T3 LP	08822700
66	Bolt 1/4" x 2" HT	01857700
67	Nut Nyloc 1/4" UNF	04819400
68	Transaxle Deflector Spacer	31322200
69	Belt A49	22923400
70	Jockey Plate Pivot IBS Deck	31329000
71	PTO Bridge Spacer HE Tractor 1/95	31326100
72	A,D,K,V Brake Switch Plate 2003	307190600

**A20/50H HAND CONTROL MODEL
RUNNING BOARD
& REAR BODY ASSEMBLIES
PARTS LIST**

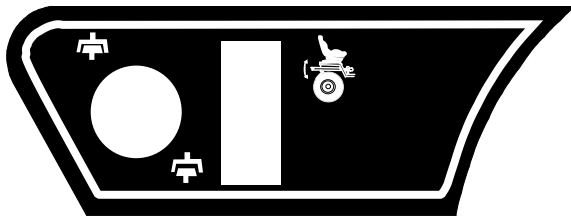
73	V2050 Sweeper Lift Lever Shaft Link Plate	327181300
74	V2050 Sweeper Lift Handle Tube	327181000
75	V2050 Sweeper Lift Handle	327181200
76	Soft Handle Grip (Black) c/w 14880500	38936500
77	Bag Tipping Handle Plug	14880500
78	PTO Flap Hinge – Tractor Manual (Plastic)	149496500
79	Pop Rivet 5 x 10mm	12824400
80	Set Screw 5/16" x 3/4"	02827600
81	A2050H Sweeper Lift Arm L/H	328954500
	A2050H Sweeper Link Arm R/H	328954400
82	A2050H Sweeper Lift Lower Link	307189900
83	A2050H Sweeper Lift Upper Link	307190000
84	C-Series Fwd Large Pedal Rubber 2002	148013700
85	C-Series Small Rev. Pedal Rubber 2002	148013800
86	20/50 Forward Reverse Rod	313004800
87	C-Series H/Brake Handle Badge	359505100
88	M6 Socket Screw Cap	148014300
89	Screw M6 x 20mm (Vac)	018000300
90	Washer 9/16"	08827800
91	Nut M6 Nyloc	04920500
92	C-Series 2002 Cup Holder	148013900
93	Chassis	327023300

1.

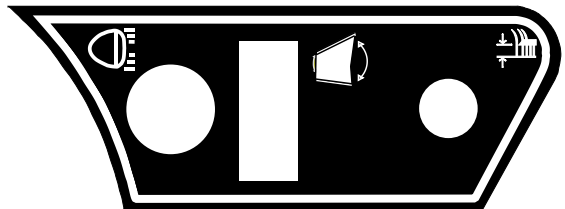


**A20/50TRACTOR
DECALS (Page 1.)**

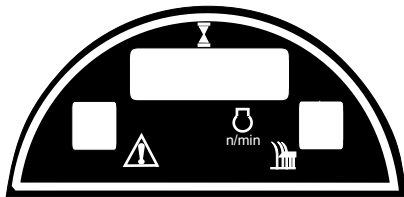
2.



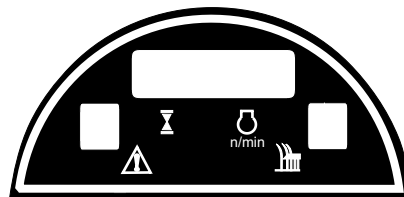
3.



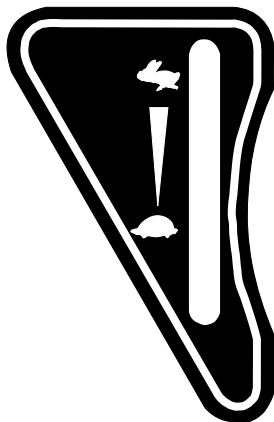
4.



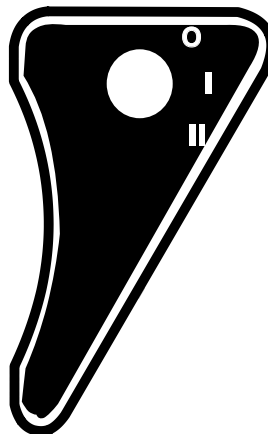
5.




6.



7.





**MAXIMUM TOWING WEIGHT
NOT TO EXCEED 500 KGS**

**IMPORTANT - READ SAFETY INSTRUCTIONS
BEFORE OPERATING THIS MACHINE**

Before Starting Carry Out These Checks:

1. Check Engine Oil
2. Check Fuel Level
3. Check Battery Terminals are Secure
4. Check the Tyres are the correct pressure
5. Check the park brake is applied
6. Check PTO lever is disengaged

To Start The Tractor:


If the Engine is cold:

1. Ensure the Choke is on and the Throttle is at maximum.
2. Turn Ignition key until engine starts and then release.
3. Feed in the choke gradually.

If The Engine is Warm:

Set Throttle to maximum and Turn Ignition key until engine starts and then release.

VIBRATION TESTED TO THE FOLLOWING STANDARDS
BS 6842:1987, ISO 2324:1983, SI 1992:2573, S99841:1987



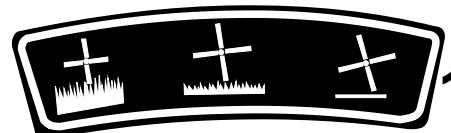
**EXERCISE CAUTION WHEN CUTTING
ON SLOPES**



9.



10.

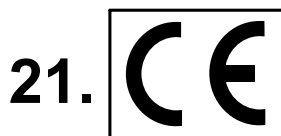
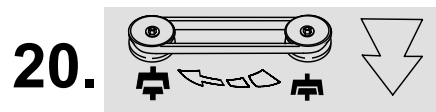
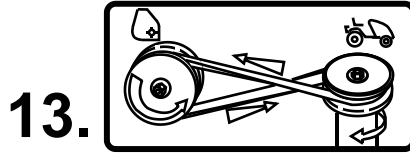


11.

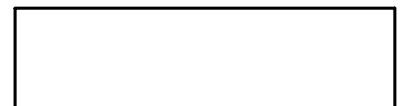
8.



**A20/50 TRACTOR
DECALS (Page 2)**



23. **COUNTAX**



A20-50 TRACTOR**DECALS****PARTS LIST**

	PART DESCRIPTION	PART NUMBER
1.	Deck Engage Decal 2003	358026400
2.	Deck Engage / Choke Decal 2003	358028800
3.	Deck / Net / Hlight Consol Decal	358031500
4.	Decal Dash Display 2003 (Version 1.)	358027100 use 358032900
5.	Decal Dash Display 2003 (Version 2.)	358032900
6.	Throttle Dash Decal 2003	358026900
7.	Dash Ignition Decal 2003	358026600
8.	Decal `Read Safety Instructions`	359506300
9.	IBS Decal 2003	35931301
10.	Mulcher Decal 2003	35945901
11.	Sweeper Height Decal 2003	358026900
12.	Decal 105 Decibel – Nov 91	359497101
13.	Sweeper Belt Decal (Symbols Only)	35891200
14.	Decal `C` Badge Bonnet	35929300
15.	PTO Danger Decal	35809500
16.	Deck Danger Decal	35803300
17.	Decal `A20-50` L/H	358002000
18.	Decal `A20-50` R/H	358002100
19.	Decal 50" IBS Deck – April 04	358010102
	Decal 50" Mulcher – April 04	358009702
	Decal 42" HGM – April 04	358009602
20.	Deck Belt Release Decal	35914600
21.	`CE` Decal	35912000
22.	Handbrake Handle Badge	359505100
23.	Pegged Badge Countax (Countax Yellow)	35932500