

COUNTAX™

SERVICE BULLETIN

00- T7.07

DATE: 18/12/2000

MODEL CONCERNED: SETTING LIMIT SWITCHES ON THE COUNTAX
ACTUATOR

SERIAL NUMBERS: FROM 80326.....

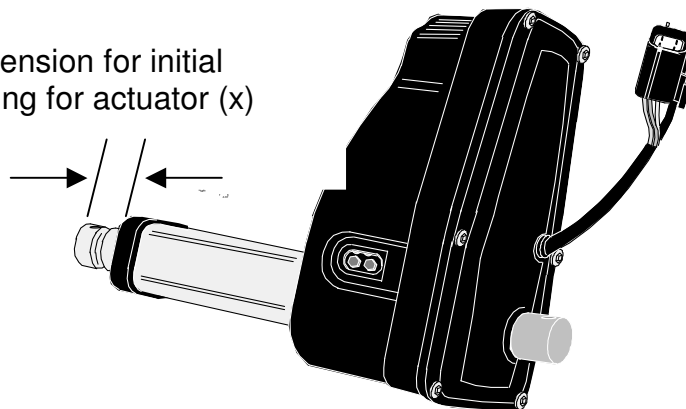
Limit switches are set at the factory to the maximum extended length and the minimum retracted length as the amount of travel in the actuators stroke.

If adjustment is needed to either extend or retract, please use the following information as a guide to initial settings:-

**Please note units fitted with LA10 "Fast lift" Actuator (Service Bulletin 00- T7.10)
No Adjustment Required**

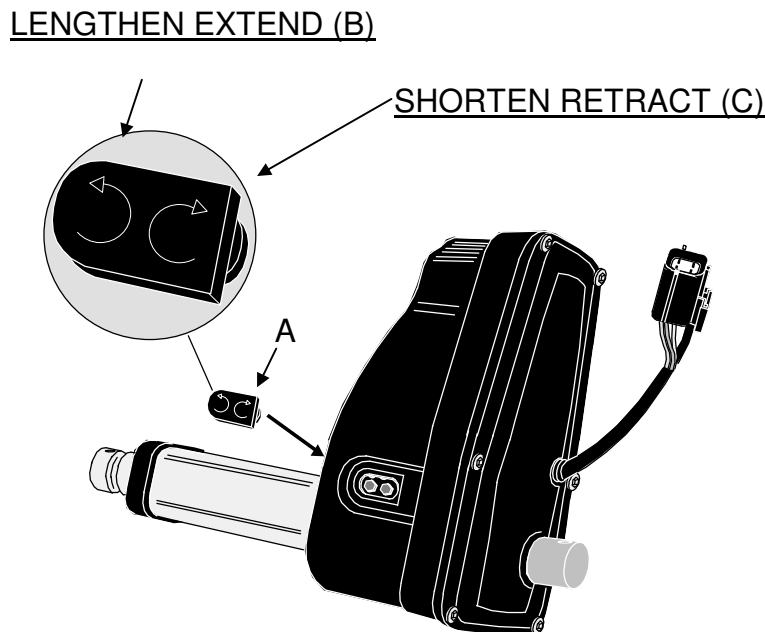
MODEL	ACTUATOR	(x) EXTENDED	(x) RETRACTED
A20/ 50 To Ser. No. 000206...	DECK	80mm	40 mm
	SWEEPER	148 mm	53 mm
	NET	128 mm	34 mm
A20/ 50 From Ser. No. 000206...	DECK	130 mm	95 mm
D18/ 50	DECK	150mm	105 mm
C800 HE (20" TYRES)	DECK	95 mm	40 mm
	SWEEPER	79 mm	35 mm
C600 HE (18" TYRES)	DECK	95 mm	50 mm
	SWEEPER	79 mm	35 mm

Dimension for initial setting for actuator (x)



When adjusting screws Use 5.5mm (7/32") socket.

1. Remove the rubber plug(A) from the actuator housing covering the adjustment screws. Refer to the lettering on top of the plug (or diagram) to determine the location of the retract and extend adjustment screws.
2. To shorten the extended length, turn the extend adjustment screw (B) clockwise. To lengthen the extend length turn adjustment screw (B) counter clock wise. Each turn changes the actuator travel by 23mm.
3. To lengthen the retract length, turn the retract adjustment screw (C) counter clockwise. To shorten the retract length turn the adjustment screw clockwise. Each turn changes the actuator travel by 23mm.



If the adjustment screws have been incorrectly adjusted the actuator may stall at the end stroke and/or blow a fuse.



Please contact COUNTAX Service Department for any further information.