

SCARIFIERS

GET MORE FROM YOUR LAWN



ELIET

PRODUCT OVERVIEW

[Eliet Spiker](#)

[Eliet E401](#)

[Eliet E450](#)

[Eliet E501](#)

[Eliet E600 Compactor](#)

[Eliet E750](#)



PERMANENTLY SHARP BLADES GET MORE OUT OF YOUR LAWN!

PERMANENTLY SHARP BLADES™ RELIABILITY, DAY AFTER DAY

In the spring, if the temperature increases above 12°C, the grass starts growing again. However, in the meantime, the lawn has been neglected. Residue from mowing, dead grass and roots have formed a spongy layer at the bottom of the lawn surface. This is an ideal breeding ground for fungi and germs. This layer also retains water, so that the soil remains moist for a long time, the ideal biotope for moss. In this environment, weeds and grass also grow out of control. Under these adverse conditions, a common type of grass such as

English rye-grass, will often find itself being oppressed. Fastgrowing weeds and moss will take all of the light away and smother the grass. It is therefore important to intervene at this time. Spraying is a very efficient way of killing the competing weeds and moss. However, the layer of dead moss still remains in the lawn, and this prevents light and air from penetrating to the grass root. Moreover, this also makes the soil more acidic. This layer must be mechanically removed. This is where a dethatching machine comes into action.

Sharp blades are guaranteed for more than 100 working hours



new blades



after 30 hours



after 60 hours



after 90 hours

THE IMPORTANCE OF SHARP BLADES

During the dethatching work, the blades must grip, rake up and raise the layer of thatch and moss underneath your lawn. The point of the blade plays a crucial role. Many blades lose their edge after a few hours, thus losing their thatch removal ability. As a result, users soon tend to set the blades to penetrate deeper. This, however, has many drawbacks. Dull blades not only fail to cut, they also bring up large quantities of earth and soil, with the resultant increase in machine wear rate. In addition, rooting also suffers irreparable damage.

PERMANENTLY SHARP BLADES™ FOR A PERFECT LAWN

Every Eliet dethatching machine is equipped as standard with Permanently Sharp Blades™. The blades are selfsharpening, thanks to Eliet's revolutionary concept, so that they retain their sharp cutting edge during their entire working life. Because these knives always stay sharp you can keep on using them until they are completely worn down. Our unique Eliet knives have a 100-hour knife life.



BLADE CHOICE VERSATILITY AS AN ASSET

The most important parts of a scarifier are usually not visible when viewing its exterior. The quality of the work is determined by the knife drum that is hidden underneath the machine. Here again Eliet makes the difference. This ensures that the owner of an Eliet machine will always be able to benefit from a longer blade life and take pride in the fact that the machine is always working at maximum efficiency. Over more than 25 years Eliet has developed three blade types, each with its own qualities. It is thus important

to choose the blades that are best suited to the type of lawn you usually work on. The blades are always fixed to a hexagonal steel shaft. They are assembled on the shaft in a spiral pattern. Wearresistant nylon spacers secure the blades or blade holders (in the case of loose blades) firmly in position. The dustproof bearings on which the knife drum is suspended in the housing are always equipped with extra cover plates. They thus have additional protection against sand and flying clippings.



FIXED BLADES

These blades are securely fixed to the knife drum. These heavy duty blades are 3-mm thick, which means they can take a knock or two. Each blade has two sharp cutting edges. The blades are spaced 2 cm from each other. You can tackle virtually any lawn with these robust blades.



LOOSE BLADES

Here, each knife mount holds two retracting knives. These let you venture onto lawns with gravel, small stones or roots, areas where it is more difficult to use fixed knives. Each knife features a nylon-coated eyelet and pivots around a steel rotor. Even under particularly adverse conditions, these knives have a 100 hour life.



DOUBLE CUT BLADES

Similar to fixed knives, double cutting knives are also fixed, but differ primarily in that each knife only has a single point. The term refers to the double number of knives over the effective width. These blades are thinner (1.5 mm) and are arranged in a spiral pattern. This configuration is extremely suitable for golf courses and high-quality lawns or turf surfaces. Double cutting knives are made of a harder material. Although they are much slimmer, they are still guaranteed to remain sharp for at least 100 hours.



SPIKER

The Eliet spiker is equipped with 18 spikes, each made from 4mm hardened steel, ensuring long life and optimum performance. The spikes are sharpened over their entire length and have a line spacing of 15mm. These properties guarantee the efficient raking of your lawn.



REVERSIBLE BLADE ROTATION

This switch allows the blades to rotate in different directions. When the blades rotate anti-clockwise, the machine effectively pulls itself forwards, resulting in easy operation. However, the raking efficiency is slightly slower than when the blades rotate clockwise. This method of working is ideal for raking over your grass when necessary in between seasons. When the blades rotate clockwise, the blades turn against the direction of travel, meaning that the operator cannot manipulate the machine so easily over the lawn. However, the raking efficiency is optimised and, consequently, much more thorough.

2 WHEELS

Large high quality wheels with double ball bearings ensure that this machine moves glides effortlessly over lawns. The wheels are also in line with the blade axle. This ensures scarification can be carried out independently of the flatness of the surface, which prevents the formation of bald patches. The machine is equipped with two support bars for secure storage, although they serve only this purpose and have no function during scarification.

SPIKES

The Eliet spiker is equipped with 18 spikes, each made from 4mm hardened steel, ensuring long life and optimum performance. The spikes are sharpened over their entire length and have a line spacing of 15mm. These properties guarantee the efficient raking of your lawn.



ELECTRICAL MOTOR

The Eliet Spiker is equipped with a 3 HP 2200W electric motor, one of the most powerful engines in the class.

DEPTH AJUSTMENT

The depth can be adjusted separately on each wheel. This ensures that ideal depth can be set up easily allowing you to scarify evenly over the full working width.

WHEEL SCRAPERS

The wheels are kept clean with the fitted wheel scrapers. This keeps the tyre treads clean which maintains stability and neat cutting.

E401

The working width of the Eliet E401 is ideal for small and medium-sized gardens. The rugged construction makes it indestructible. Like all our other scarifiers, it is also equipped with a set of Eliet Permanently Sharp Blades™. The machine is light and agile, and thanks to the variable depth control the working depth can be set with precision.

COLLECTION BAG

The spacious moss collection bag, fitted as standard on the E401, saves you from spending time tidying up.

STURDY CONSTRUCTION

The robot-welded steel chassis, strong wheels with natural rubber tyres and dust-proof bearings with shield plates combine to make this machine indestructible.

VERTICAL BELT TENSIONER

The ingenious belt coupling reduces belt wear to a minimum and extends its working life considerably.

PETROL ENGINE

The Eliet E401 is available with a choice of three powerful petrol engines:
- 4,0 HP B&S Series 550
- 4,0 HP Honda GC135
- 4,0 HP Honda GX120

FOLDING HANDLE

The handle of the machine can be easily folded away. This minimises the space that the E401 Eliet uses in your garage or storage space, and also makes it easy to transport in your car.



Machine voorzien van vaste messen



E450

The Eliet E450 uses elements from the E401 and E501 and was designed for use by semi-professionals. The result of the development of the new Eliet E450 with its 45cm working width and folding handle is a machine that is highly suitable for rental. The machine is robustly constructed, yet easy to handle and will fit into any car boot.

EXTRA POWER

To ensure that the machine is suited to the needs of as many potential users as possible, Eliet offers the E450 with the following choice of powerful engines:

- 5 HP HONDA GC160
- 5,5 HP HONDA GX160

STURDY CHASSIS

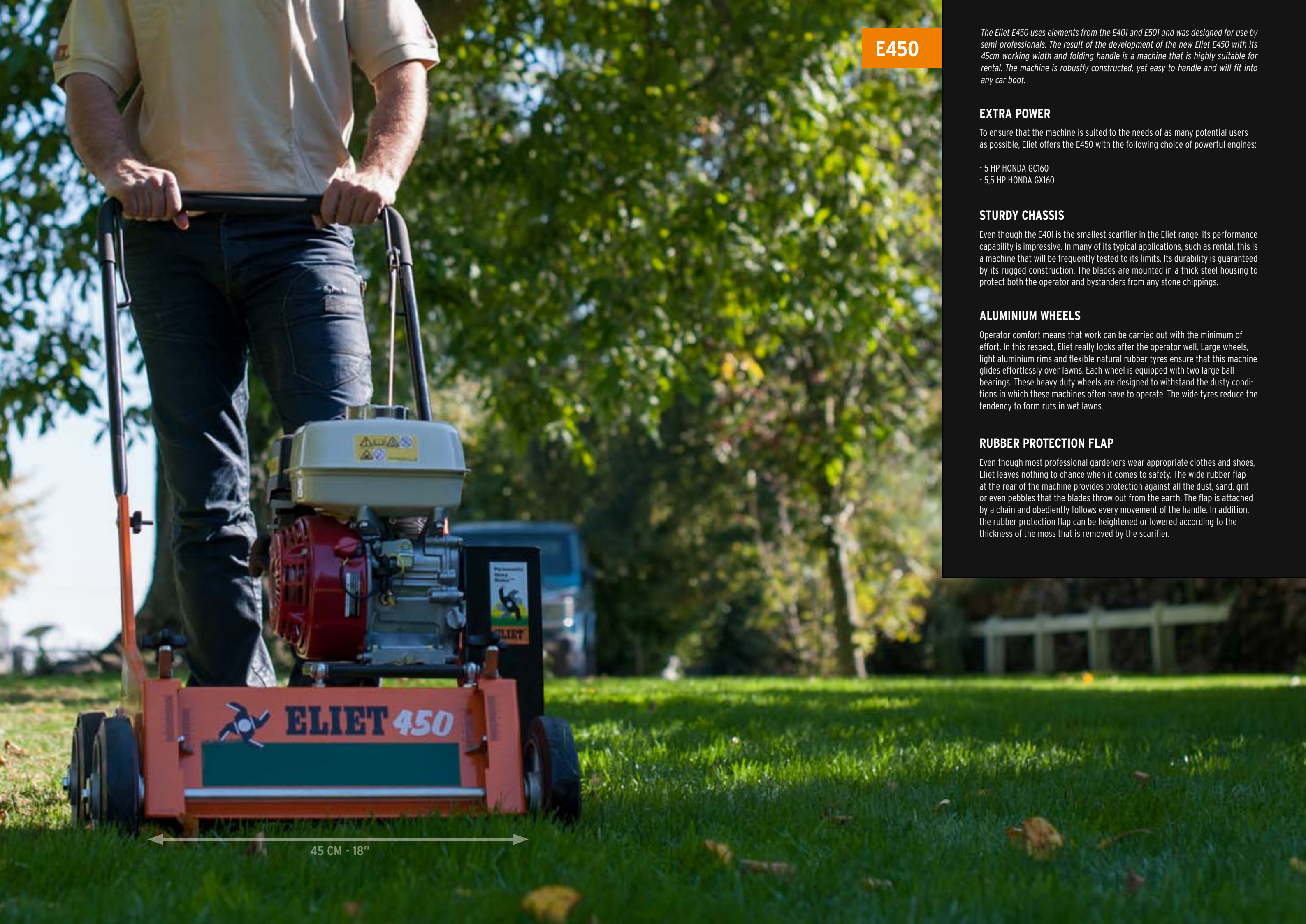
Even though the E401 is the smallest scarifier in the Eliet range, its performance capability is impressive. In many of its typical applications, such as rental, this is a machine that will be frequently tested to its limits. Its durability is guaranteed by its rugged construction. The blades are mounted in a thick steel housing to protect both the operator and bystanders from any stone chippings.

ALUMINIUM WHEELS

Operator comfort means that work can be carried out with the minimum of effort. In this respect, Eliet really looks after the operator well. Large wheels, light aluminium rims and flexible natural rubber tyres ensure that this machine glides effortlessly over lawns. Each wheel is equipped with two large ball bearings. These heavy duty wheels are designed to withstand the dusty conditions in which these machines often have to operate. The wide tyres reduce the tendency to form ruts in wet lawns.

RUBBER PROTECTION FLAP

Even though most professional gardeners wear appropriate clothes and shoes, Eliet leaves nothing to chance when it comes to safety. The wide rubber flap at the rear of the machine provides protection against all the dust, sand, grit or even pebbles that the blades throw out from the earth. The flap is attached by a chain and obediently follows every movement of the handle. In addition, the rubber protection flap can be heightened or lowered according to the thickness of the moss that is removed by the scarifier.



45 CM - 18"

E501 / E750

The needs of the professional user are taken into account in every last detail of these machines. A keen eye will not fail to notice the powerful professional engines, the continuously variable self-locking height adjustment and the large wheels with twin ball bearings. It goes without saying that Eliet Permanently Sharp Blades™ are mounted under the chassis. The Permanently Sharp Blades™ ensure that your Eliet machine will always be performing with maximum efficiency. That's the way to work! Additional protective covers on the dust-proof bearings of the blade shaft reduce the abrasive effects of sand and soil to an absolute minimum. You do not need to worry about a bearing failing before its time. This makes the Eliet E 501 and E 750 Pro extremely reliable and guarantees that these machines will be operational when you need them for your work.

CONTINUOUSLY VARIABLE HEIGHT ADJUSTMENT

The usual working depth is 2mm. At this depth the blades can rotate close to maximum speed and quickly remove moss and thatch from the lawn. The blades do not cut through roots, which reduces the time a lawn needs to recover after a scarification treatment. The correct adjustment of depth requires that the depth control is finely adjustable, which is why the E 501 Pro has continuously variable adjustment for each front wheel. This allows the entire blade shaft to be set at an equal depth.

DEPTH ADJUSTMENT ON REAR WHEELS

Eliet E501 Pro is equipped with a set of Permanently Sharp Blades™. The properties of these blades include a working life in excess of 100 hours. Whether they are fixed, separate or double-cut blades, it makes sense to use these blades until the end of their lifetime. Since the adjustment provision on the front wheels is insufficient by itself, Eliet has also fitted depth adjustment to the rear wheels.

FLOATING HANDLE

Scarification is particularly important for the professional gardener in the spring, when grass once again becomes vigorous after the winter rest. Therefore special attention was given to all the elements that cause operator fatigue. The floating handle is an example of how optimal working comfort can be assured. It closely follows any bumps in the route and thereby neutralises pressure on the arms.

WHEEL SCRAPERS

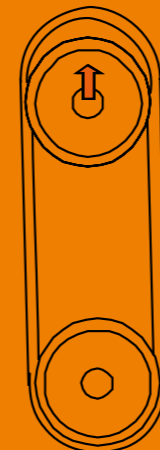
When scarification is carried out on soggy lawns in the spring, moss that has been dislodged can easily stick to the wheels which causes machines to move unevenly over lawns. The results of the raking process are then clearly visible. To minimise this, professional Eliet scarifiers are equipped with wheel scrapers. Unwanted material sticking to the tyres is immediately removed.

VERTICAL BELT TENSIONER

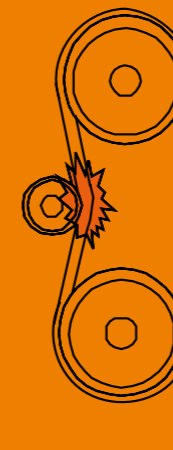
To disengage the blades, Eliet does not use a traditional tensioner pulley that is prone to constant failure. Instead, Eliet developed the vertical belt tensioner. This raises the engine plate by means of a lever mechanism, so that the belt is tightened. This means that the belt maintains its natural form under load, which extends its working life. The two pulleys are only in contact with the inside of the belt, so that the outer side of the belt is spared from wear and tear. As a result, a professional Eliet scarifier very rarely needs a replacement belt.

E501 / E750 BLADE CHOICE

The person that opts for the professional version of the E501 knows exactly what they want. Because you, as a professional operator, quite rightly demand higher performance, Eliet has developed two different blade types in addition to the standard fixed blades. These blades can improve performance and the quality of the result under certain conditions. The choice is yours!



Eliet vertical belt tension



Other brands

E750 TOWABLE MODEL

Owners of large gardens regularly use ride-on mowers to cut the grass. In order to make scarification of these gardens easier, Eliet developed a towable model of the E750. This model can be attached to a ride-on mower. The adjustable tow bar means it is compatible with all available mowers. To ensure that the scarification work can be carried out with precision, for example in hard to reach corners, Eliet decided not to remove the handle of the machine. This allows manual scarification of areas with limited accessibility.



MAXIMISE YOUR RENTAL RETURNS

For rental companies, it is important that customers are satisfied when they return equipment. That is the best way of ensuring that will be repeat customers, so it is best to invest in machines with guaranteed performance. Eliet has been a leader in scarification machinery for more than 30 years. Our reputation has been built on a number of unique features that together set us apart in the sector. This all translates into extra profit for rental companies at the end of the day.

CONSISTENT PERFORMANCE

Permanently Sharp Blades™ with their self-sharpening feature ensures that blades are never blunt and guarantee consistent raking performance throughout their working life. The working life of these Eliet blades is at least 100 hours.

LOW MAINTENANCE COSTS:

Eliet's special blades wear slowly so you do not need to adjust the depth every time the machine is used. The unique vertical belt tensioner system minimises wear on the belt transmission.

DURABLE AND RELIABLE:

Avoid problems with equipment while it is out on rental. Eliet scarifiers are robust and virtually indestructible. The welded heavy gauge sheet steel chassis, high quality wheels with large bearings, shock-resistant rubber protection flap, epoxy coating and professional engines are proof of this.

RETURN ON INVESTMENT

Rental companies are doubly rewarded thanks to low maintenance costs and efficient performance that results in consistently satisfied customers. The high demand for Eliet machines also keeps resale prices high in the second-hand market.



E600 COMPACTOR



3 X TIME SAVINGS WITH 1 MACHINE

Garden contractors tend to have their hands full in the spring as they get their client's gardens back into shape after the winter. Scarification is an important element in this, but it is also time-consuming. To make matters worse the weather is very unpredictable, making it even more of a headache to plan all the work in the time available. However, an E600 Compactor can offer you advantages in at least three areas. Scarification is not only faster, it is also more thorough and efficient. As a garden contractor you will save at least half the time when carrying out this process, leaving you free to catch up on other work or to serve other customers.

1 The big advantage of the E600 Compactor is the forced collection. The traditional method of scarification involves at least two processes; firstly scarification, secondly collecting the moss and thatch. The Eliet E600 Compactor machine combines these two stages into one, sufficient to reduce treatment time by 50% in one stroke!

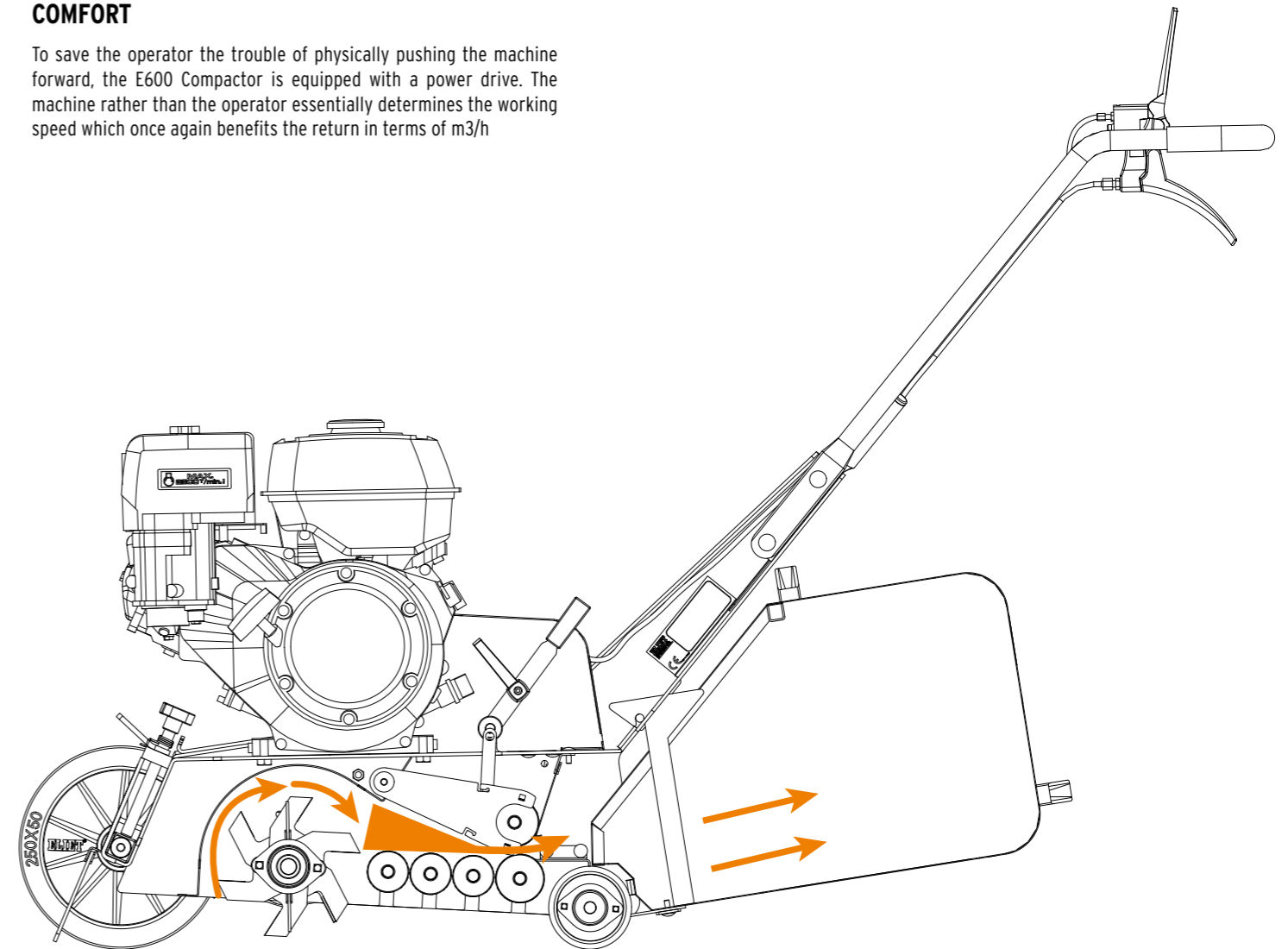


2 The blade system of the E600 Compactor features 44 Double-Cut Blades™ which are just 15mm apart. When in operation the surface is therefore intensively scarified and a maximum volume of moss and thatch removed. Since the blades turn against the direction of movement of the machine, performance is increased even further. In addition, these blades feature self-sharpening points since they are Permanently Sharp Blades™ that consequently guarantee consistent performance. Power drive means that this scarifier can be operated at a constant speed. Less effort for the operator and saves time too!

3 The collection system of this machine is unique because the moss and thatch that is collected is compacted. The moss and thatch thrown up by the blades lands on a power roller conveyor. Earth falls back to the ground between the rollers. The moss and thatch is crushed between two counter-rotating rollers and compacted in the collector. The advantage of this is that you can treat more grass before having to empty the collector.

COMFORT

To save the operator the trouble of physically pushing the machine forward, the E600 Compactor is equipped with a power drive. The machine rather than the operator essentially determines the working speed which once again benefits the return in terms of m³/h



TECHNICAL DATA

SCARIFIERS

PERFORMANTIE	SPIKER	E401	E450
Motor choice	3,0 HP Elec. mono 2200 Watt	4,0 HP B&S Series 550 4,0 HP Honda GC 135 4,0 HP Honda GX120	5,0 HP Honda GC160 5,5 HP Honda GX160
Working width	380 mm	400 mm - 16"	450 mm - 18"
Chassis	steel plate 2,5 mm	steel plate 2 & 3 mm 5/64 & 1/8"	steel plate 2 & 3 mm - 5/64 & 1/8"
Depth ajuster	Front: Continuously	Front: Continuously Back: 2 positions	Front: Countinuously Back: 2 positions
Mesinterlinie	17 mm - 5/8"	25 mm - 1"	25 mm - 1"
Fixed blades (number/thickness)	18 spikes -	14 / 2,5 mm - 5/64"	16 / 2,5 mm - 5/64"
Loose blades (number/thickness)	-	-	-
Double Cut blades (number/thickness)	-	-	-
Wheel	foldable	foldable	foldable
Collecting bag	-	60 L	optioneel
Wheels (Ø x W / material)	front/back: 200 x 40 mm 8 x 2" double ballbearings	front/back: 200 x 40 mm 8 x 2" ballbearings	front/back: 200 x 40 mm 8 x 2" double ballbearings
Transmission	V-belt	V-belt	V-belt
Permanently Sharp Blades™	Spikes	Yes	Yes

DESIGN

Dimensions (L x B x H in mm)	900 x 600 x 950 mm 33x24x37"	960 x 550 x 940 mm 38x22x37"	1100 x 600 x 1050 mm 43x24x41"
Weight	33 kg - 73 lbs	40 kg - 88 lbs	51 kg - 113 lbs

E501	E600 COMPACTOR	E750
5,0 HP Honda GC160 5,5 HP Honda GX160 6,5 HP B&S Vanguard	9,0 HP Subaru EX27	9,0 HP Honda GX 270
500 mm - 20"	600 mm - 24"	750 mm - 30"
steel plate 2 & 3 mm - 5/64 & 1/8"	steel plate 4 mm - 5/32"	steel plate 3 mm - 1/8"
Front: Countinuously Back: 2 positions	Front: Countinuously	Front: Countinuously Back: 2 positions
25 mm - 1"	14 mm - 1/2"	25 mm - 1"
18 / 3 mm - 1/8"	-	28 / 3 mm - 1/8"
34 / 2,5 mm - 5/64"	-	48 / 2,5 mm - 5/64"
31 / 1,5 mm - 1/16"	44 / 1,5 mm - 1/16"	44 / 1,5 mm - 1/16"
option: foldable	-	-
-	95 L - 25 gal	-
Front: 200 x 50 mm - 8 x 2" Back: 250 x 50 mm - 10 x 2" double ballbearings	Front: 250 x 50 mm - 10 x 2" Back: roll 100 mm - 4" double ballbearings	Front: 200 x 50 mm - 8 x 2" Back: 250 x 50 mm - 10 x 2" double ballbearings
V-belt	V-belt	V-belt
Yes	Yes	Yes

1200 x 740 x 1000 mm 47x29x39"	1250 x 750 x 900 mm 49x30x35"	1300 x 910 x 1050 mm 51x36x41"
63 kg - 139 lbs	135 kg - 298 lbs	80 kg - 176 lbs



OVERSEEDING WITH ELIET: AERATE YOUR LAWN

Up to now, when turf had lost its vigour or become damaged turf it was often decided to remove the turf followed by either reseeding or laying new turf. However, the overseeders from Eliet offer an affordable and effective alternative. These machines inject new grass seed into existing turf. This inexpensive alternative can be carried out quickly and guarantees visible results in less than a month. Moreover, the lawn is immediately available for normal use after overseeding. For the best results, it is recommended that scarification be carried out on da-

maged turf prior to overseeding so that all remnants of moss, clover, mushrooms and other unwanted elements can be removed. Thanks to the scarifying process, all parasites are removed from the grass which gives the new seeds time and space to grow. If scarification is not carried out, then it is likely that the new grass plants will be suffocated by the moss that will take over the surface. Visit our website at www.Eliet.eu and discover how Eliet can help you in the maintenance of your lawn.





MADE *in* BELGIUM

ELIET EUROPE NV
Diesveldstraat 2
8553 Otegem, BELGIUM
Phone: +32 (0) 56 77 70 88
Fax: +32 (0) 56 77 52 13

ELIET USA Inc.
Phone 412 367 5185
info@Elietusa.com
www.Elietusa.com

IMPORT UK
Parts Depot Groundscare Ltd
Phone +44 8450 773 773
sales@psdgroundscare.co.uk
www.psdgroundcare.co.uk

IMPORT IRELAND
Kevin Broderick Ltd.
Phone +353 1 257 22 55
info@brodericks.ie
www.brodericks.ie

IMPORT SWEDEN
GRÄSVARDSMASKINER I MALMO AB
Phone +46 40 925 286
jon.gym@telia.com
www.grasvardsmaskiner.se

IMPORT NORWAY
SØVDE AS (NORWAY)
Phone +47 69 26 47 50
info@sovde.no
www.sovde.no

info@eliet.eu
www.eliet.eu

ELIET®